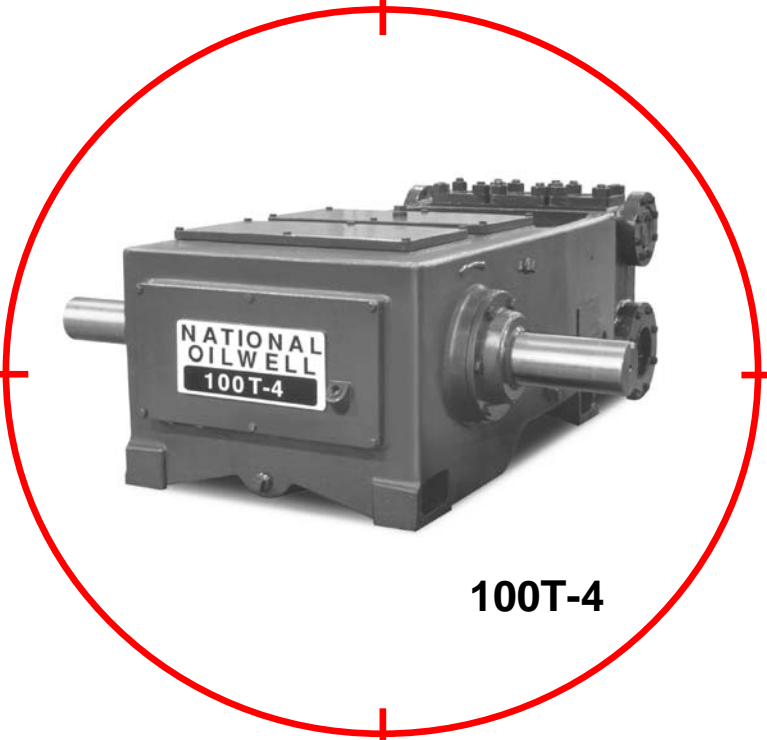
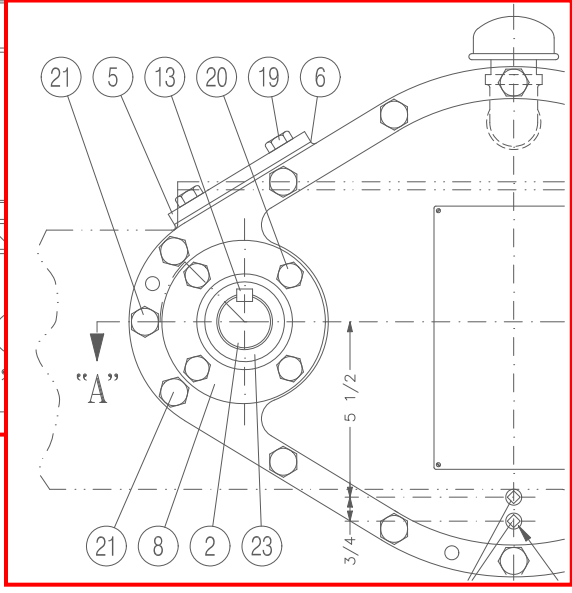
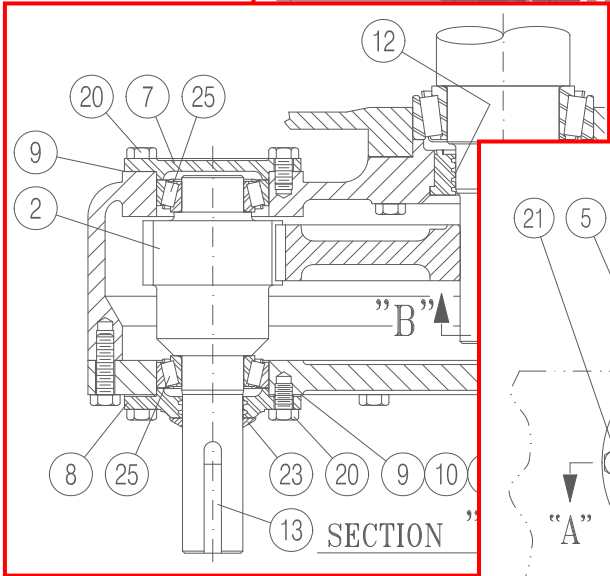
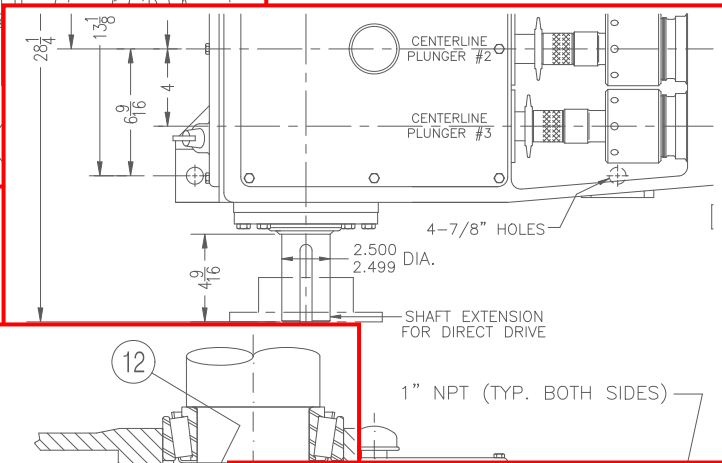
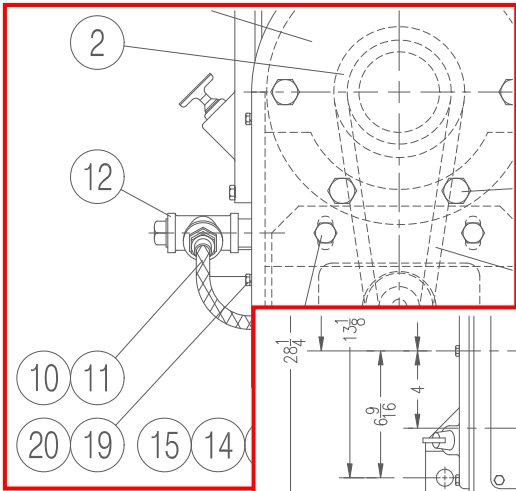


100T-4 Triplex Plunger Pump

Parts List



100T-4

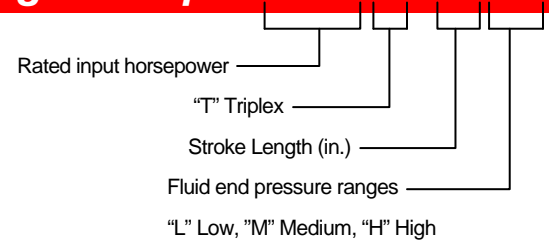
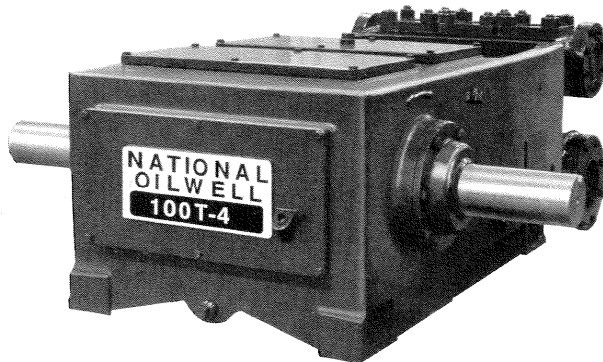


Types:
100T-4L
100T-4M
100T-4H

Sales / Technical Information

USA Tollfree: 1 (800) 324-4706
 Phone: 1 (918) 447-4600
 Fax: 1 (918) 447-4677
 Internet: <http://www.nov.com>

REVISED: JUNE 18, 2009
 REVISED: AUGUST 21, 2007
 REVISED: FEBRUARY 4, 2005
 ISSUE: OCTOBER 23, 2003

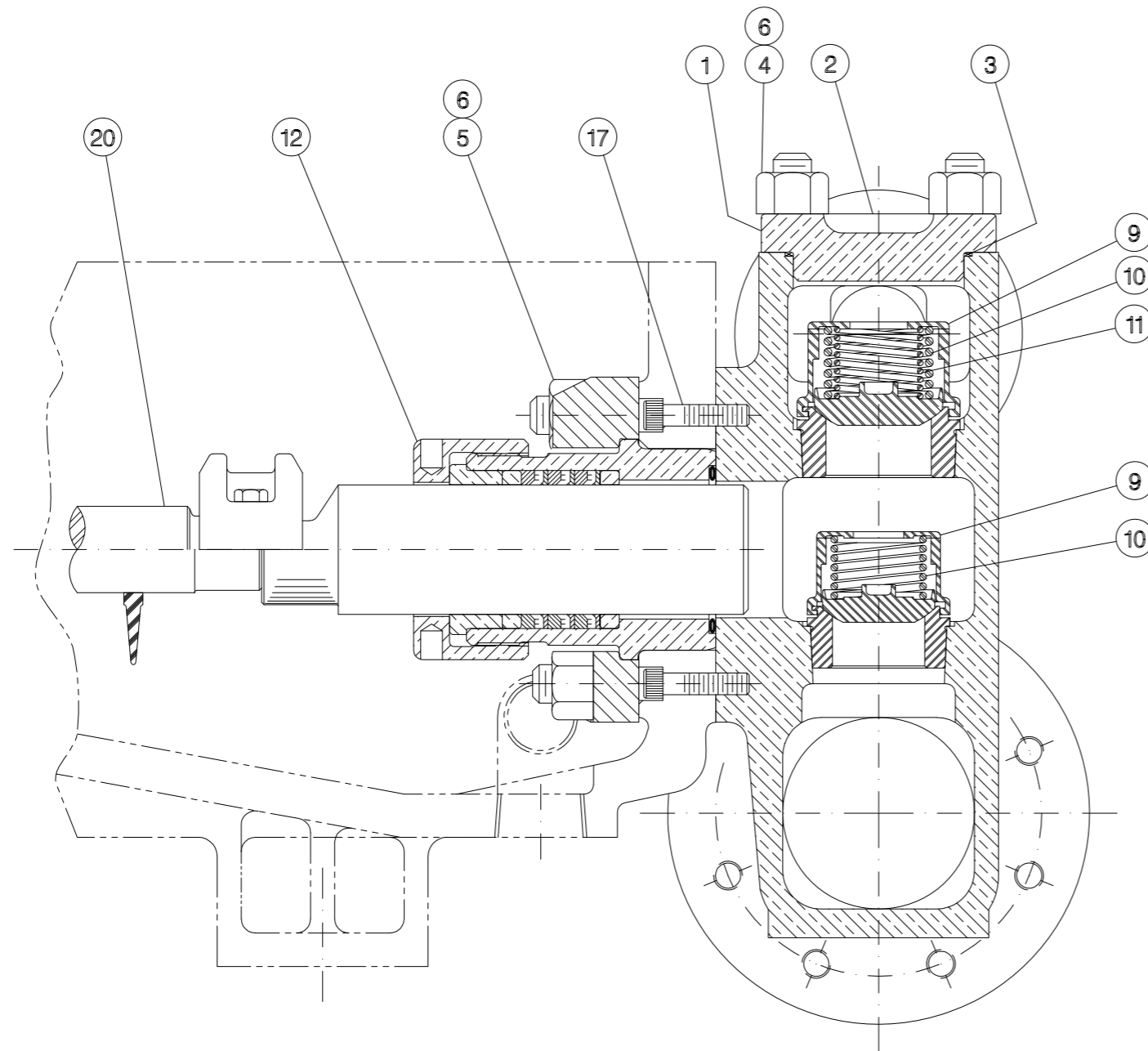


Index and Check List:

PAGE	DWG. NUMBER	DESCRIPTION	SERIES OF ISSUE	DATE OF ISSUE
1	1711871	ASSEMBLY, FLUID END, 100T-4L – ALUM. BRZ.	SECOND	8-21-07
2	1711872	ASSEMBLY, FLUID END, 100T-4M – ALUM. BRZ.	SECOND	8-21-07
3	1711873	ASSEMBLY, FLUID END, 100T-4H – ALUM. BRZ.	SECOND	8-21-07
4	1711874	ASSEMBLY, FLUID END, 100T-4L – S.S.	SECOND	8-21-07
5	1711875	ASSEMBLY, FLUID END, 100T-4M – S.S.	THIRD	10-2-08
6	1711876	ASSEMBLY, FLUID END, 100T-4H – S.S.	SECOND	8-21-07
7	1711877	POWER END ASSEMBLY	SECOND	5-18-06
8	1711878	CRANKSHAFT ASSEMBLY	THIRD	3-2-07
9	1711879	SEVERE DUTY VALVE ASSEMBLY	SECOND	8-21-07
10	1711880	CAGE VALVE SERVICE – S.S. PLATE, BOTTOM GUIDED AND BALL AND SEAT	FIRST	8-31-99
11	1711881	VALVE SERVICE KITS – SPHERICAL SEAT	SECOND	8-21-07
12	1711882	VALVE SERVICE KITS – NOV TAPERED SEAT AND CAGE TYPE	FIRST	8-31-99
13	1711883	GEAR REDUCER ASSEMBLY (ALL RATIOS)	SECOND	10-23-03
14	1711884	PLUNGER KIT ASSEMBLY – 100T-4L AND 4M	FIRST	8-31-99
15	1711885	PLUNGER KIT ASSEMBLY – 100T-4M AND 4H	FIRST	8-31-99
16	1711886	S.S. PLUNGER KITS W/ KEVLAR PACKING – 100T-4L AND 4M	SECOND	6-9-04
17	1711887	S.S. PLUNGER KITS W/ KEVLAR PACKING – 100T-4H	FIRST	8-31-99
18	1711888	PLUNGER W/ INTERM. ROD ASSY. STRAIGHT / TAPERED CLAMP	FIRST	8-31-99
19	1711889	PLUNGER W/ INTERM. ROD ASSY. – THREADED PLUNGER	SECOND	12-08-08
20	1711890	LUBRICATOR PIPING ASSY.	FIRST	8-31-99
21	1711891	OPTIONAL ACCESSORIES	FIRST	8-31-99
22	1711892	LOW PRESSURE IN-LINE SUCTION DAMPENERS (WELD-ON)	FIRST	8-31-99
23	1711893	HIGH PRESSURE IN-LINE SUCTION DAMPENERS (WELD-ON)	FIRST	8-31-99
24	1711894	AUXILIARY LUBE SYSTEM – SLOW SPEED	FIRST	8-31-99
25	1711895	MISC. OPTIONAL PARTS	FIRST	8-31-99
26	1711896	100T-4 OUTLINE DRAWING WITHOUT GEAR REDUCER	FIRST	8-31-99
27	1711897	100T-4 OUTLINE DRAWING WITH GEAR REDUCER	FIRST	8-31-99

Revisions effective June 18, 2009 – revised pages 5 and 19.

LTR	DESCRIPTION OF CHANGE	MADE CHG'D	DATE	APPROVED	M NO
A	REMOVED DURABLE VALVES	MTH RPO	8.21.07		
A1	REMOVED INDIVIDUAL VALVE AND SEAT PART NUMBERS	MTH RPO	8.21.07		



*	1	1710270	1710270	BAR,STUFFING BOX ADJUSTING NUT	21
	3	SEE PAGES 18 & 19	ROD, INTMD (CLAMP OR THD TYPE LISTING)		20
△	16	700044211	700044211	SCREW, 3/4"-10 x 2 1/2" HEX HD CAP (DISCH. CONN.)	19
△	16	700044011	700044011	SCREW, 3/4" x 2" HEX HD CAP (SUCTION CONN.)	18
	4	7006309	7006309	SCREW, 1/2"-13 x 2 1/4" HEX SOC HD CAP	17
△	2	6908019	6908019	RING, OVAL JOINT R-26	16
△	2	6010021	6010021	GASKET, 5" FLAT RING - 150*	15
⊗	2	*1080	*1080	CAPLUG	14
⊗	2	*44	*44	CAPLUG	13
	3	SEE PAGES 14-17	STD. PLUNGER KIT LISTING		12
	1		1793526	SPRING, INNER	11
	1		1793525	SPRING, OUTER	10
	1		1793524-6	RETAINER, SPRING	9
	3		1793522-25	VALVE CPT, SPHERICAL DISCH.	8
	3		1793520-25	VALVE CPT, SPHERICAL SUCT.	7
	12	6300160	6300160	NUT, 1"-8 HVY. HEX	6
	12	49003081	49003081	STUD, 1"-8 x 6"	5
	12	10000185	10000185	STUD, 1" x 3 3/4"	4
	3	2410031247	2410031247	SEAL, TOP COVER	3
	1	1711073	1711073	COVER, CYLINDER TOP	2
	1	171135714	171135714	CYLINDER ONLY, FLUID	1
QTY REQ'D		PART NO.		DESCRIPTION	ITEM NO.

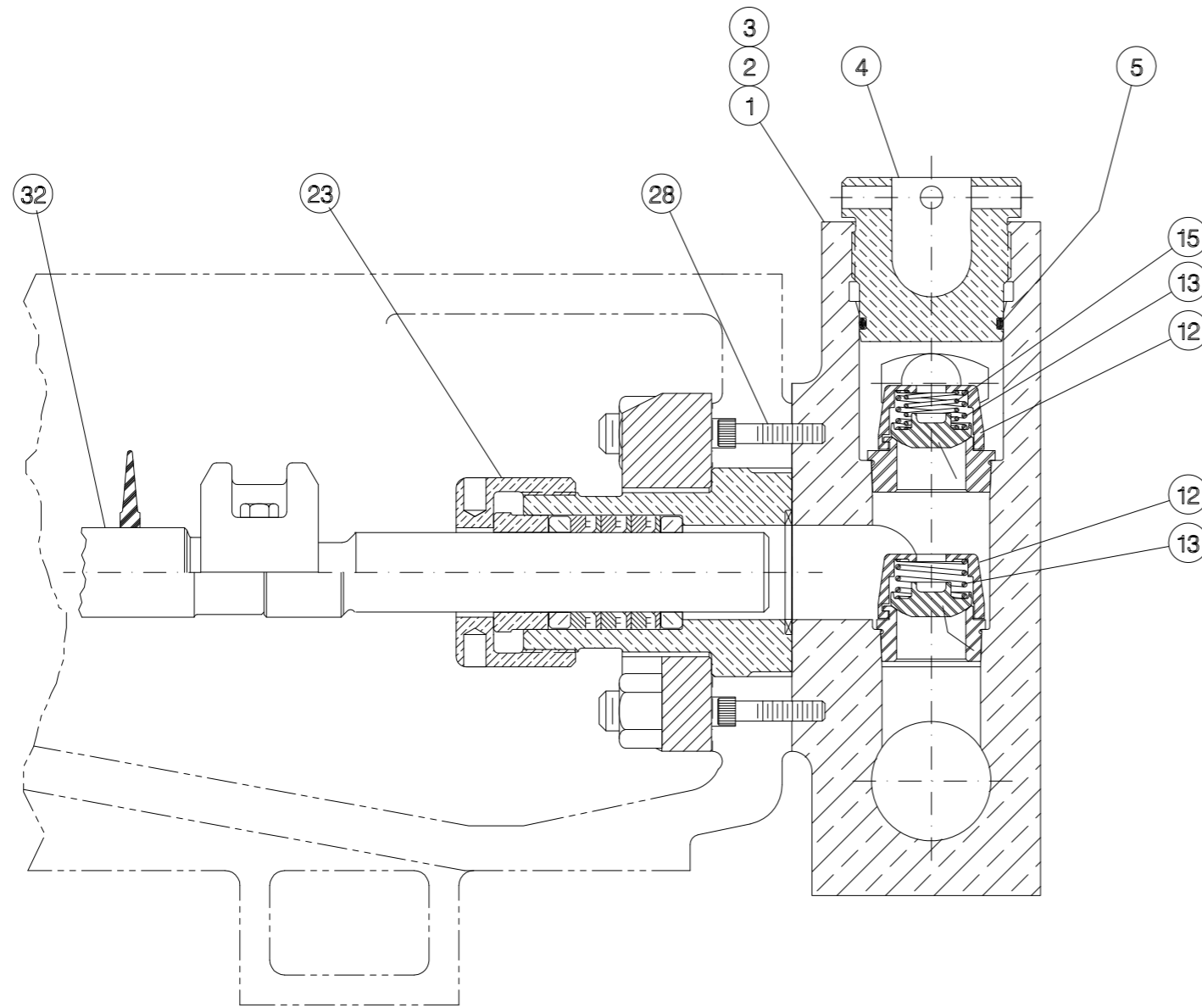
* ITEM NOT SHOWN FOR CLARITY
⊗ FOR SHIPPING PURPOSES ONLY
△ SHIPPED SEPERATELY

LIST OF MATERIAL

SEE PAGE 9 FOR SEVERE DUTY VALVE ASSEMBLY

NATIONAL OILWELL VARCO			
TITLE			
ASSY. FLUID END			
100T-4L (J-100-L14CF)			
SIZE	REFERENCE No.	DRAWING No.	REV
D		1711871	A
SCALE	EST WT	SHEET 1 OF 1	
NONE			

LTR	DESCRIPTION OF CHANGE	MADE CHG	DATE	APPROVED	M NO
A	REMOVED DURABLE VALVES	MTH RPG	8.21.07		
A1	REMOVED INDIVIDUAL VALVE AND SEAT PART NUMBERS	MTH RPG	8.21.07		



*	1	1710270	1710270	BAR, STUFFING BOX ADJUSTIN NUT	20
	3	SEE PAGES 18 & 19		ROD, INTMD (CLAMP OR THD TYPE LISTING)	19
⊗	8	700039711	700039711	SCREW, 5/8" x 2" HEX HD CAP (SUCT. CONN.)	18
⊗	8	700052510	700052510	SCREW, 1" x 2 3/4" HEX HD CAP (DISCH. CONN.)	17
	4	7006309	7006309	SCREW, 1/2" x 2 1/4" HEX SOC HD CAP	16
△	2	6908004	6908004	RING, OVAL JOINT R-20	15
△	2	6010019	6010019	GASKET, 3" FLAT RING	14
	2	*55-A	*55-A	CAPLUG	13
	2	*15	*15	CAPLUG	12
	3	SEE PAGES 14-17		STD. PLUNGER KIT LISTING	11
	1		1792526	SPRING, INNER	10
	1		1792525	SPRING, OUTER	9
	1		17925246	RETAINER, SPRING	8
	3		1792522-25	VALVE CPT, SPHERICAL DISCH.	7
	3		1792520-25	VALVE CPT, SPHERICAL SUCT.	6
	3	99609339	99609339	O-RING 3 5/8" x 3 1/4" x 3/16"	5
	3	1711417	1711417	COVER, VALVE	4
	12	49003081	49003081	STUD, 1"-8 x 6"	3
	1	171141214	171141214	CYLINDER ONLY, FULID	2
	1	171142214	171142214	CYLINDER STUDDED, FLUID (INCL. 2 & 3)	1

QTY REQD	PART NO.	DESCRIPTION	ITEM NO.
	171142314 (NI-AL-BRZ) ASSY. WITH DISC T.S. VALVES	171142314-S (NI-AL-BRZ) ASSY. WITH SPHERICAL VALVES	* ITEM NOT SHOWN FOR CLARITY ⊗ FOR SHIPPING PURPOSES ONLY △ SHIPPED SEPERATELY

LIST OF MATERIAL

2

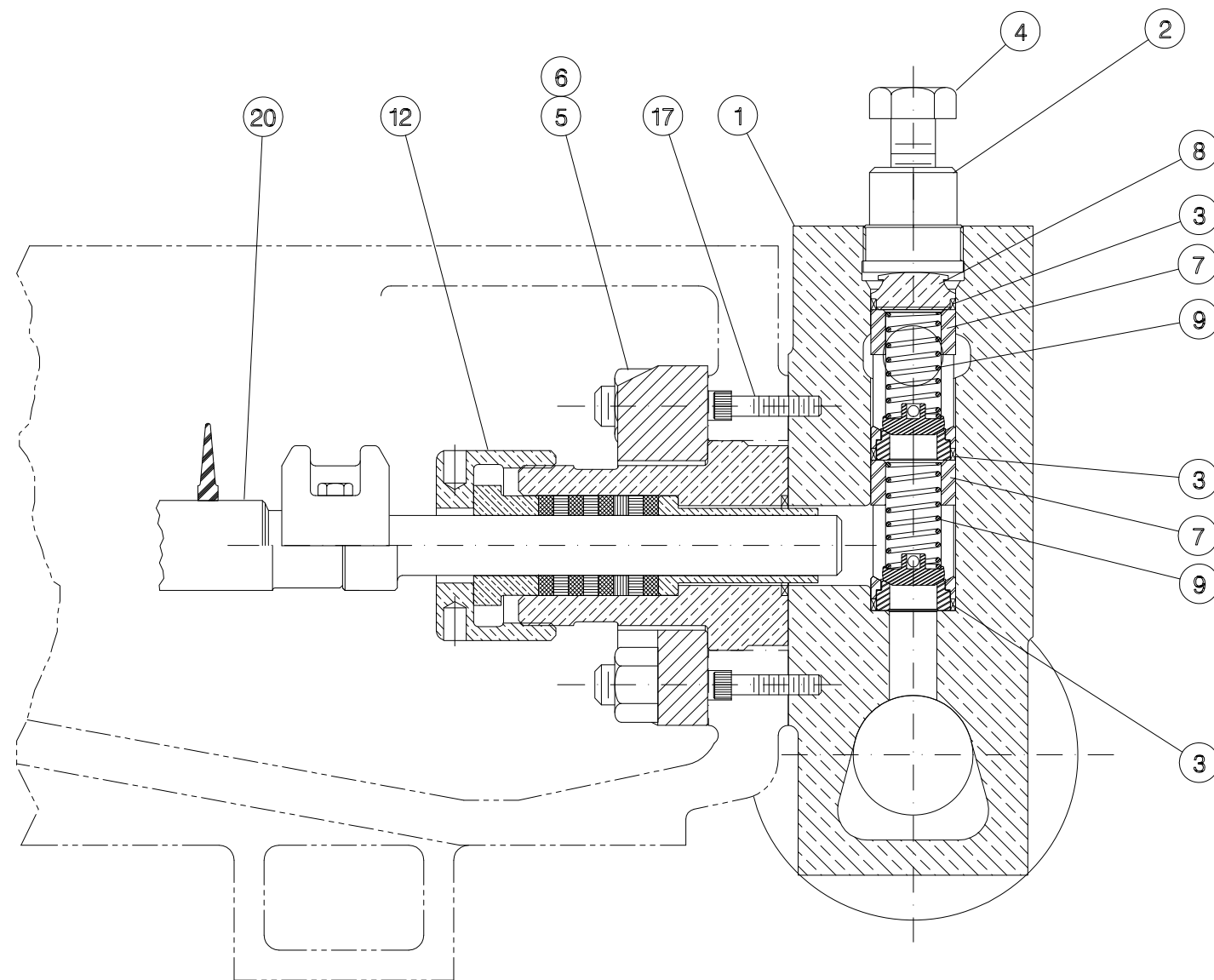
SEE PAGE 9 FOR SEVERE DUTY VALVE ASSEMBLY

NOV NATIONAL OILWELL VARCO

TITLE ASSY. FLUID END
100T-4M (J-100-MI4CF)

SIZE D	REFERENCE No.	DRAWING No. 1711872	REV A
SCALE NONE	EST WT	SHEET 1 OF 1	

LTR	DESCRIPTION OF CHANGE	MADE CHGD	DATE	APPROVED	M NO
A	REMOVED INDIVIDUAL VALVE AND SEAT PART NUMBERS	MTH RPG	8.21.07		

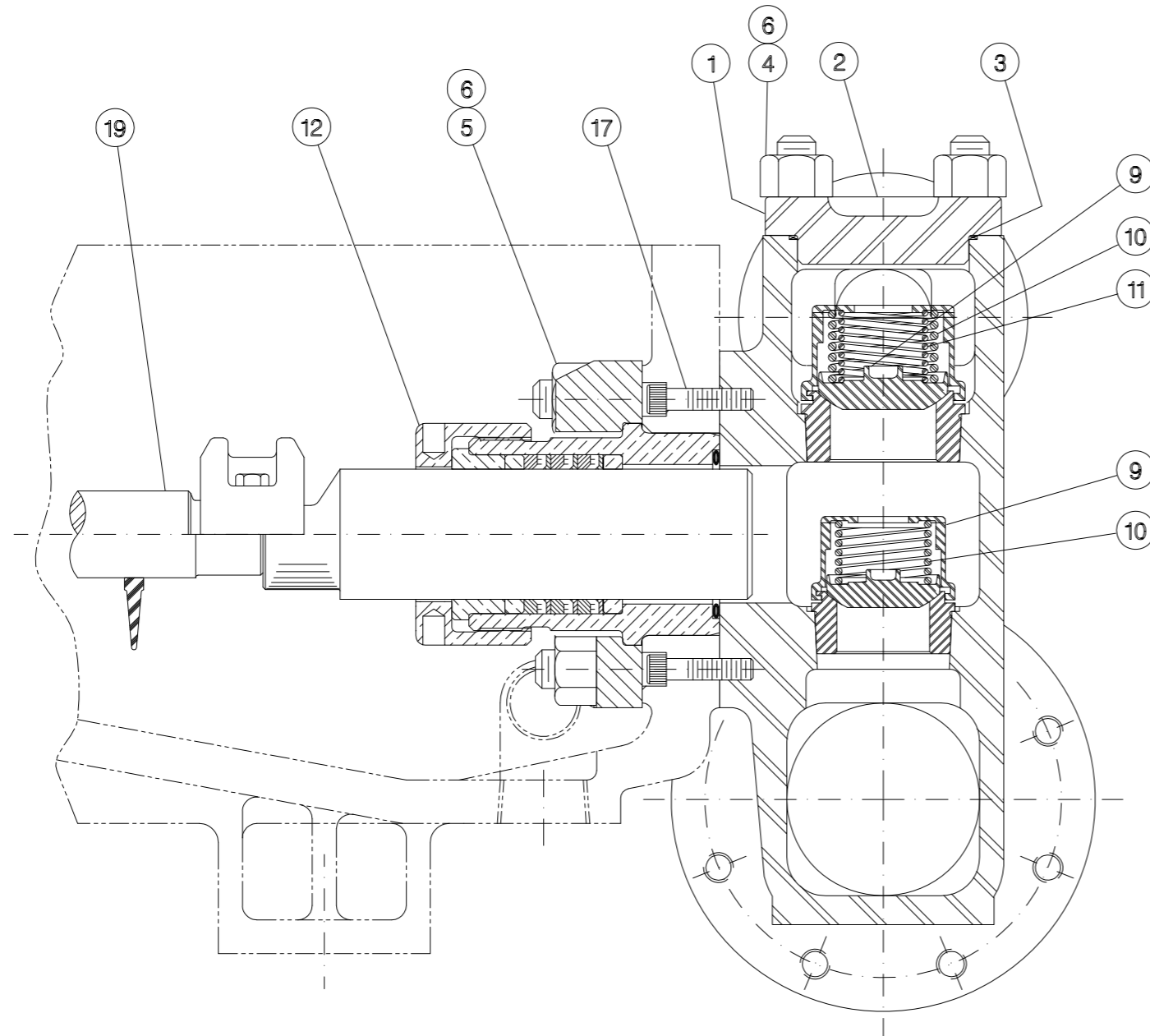


*	2	1710270	1710270	BAR, STUFFING BOX ADJUSTING NUT	21
	3	SEE PAGES 18 & 19		ROD, INT. (CLAMP OR THRD. TYPE)	20
△	8	700056810	700056810	SCREW, 1/8" x 4 HEX HD CAP (DISCH. CONN.)	19
△	16	700044211		SCREW, 3/4" x 2 1/2" HEX HD CAP (SUCTION CONN.)	18
△	4	7006309		SCREW, 1/2"-13 x 2 1/4" HEC SOC HD CAP	17
△	2	6908011		RING, OVAL JOINT R-23	16
△	2	6010020		GASKET, 3" FLAT RING	15
⊗	2	*210	*210	CAPLUG	14
⊗	2	*1050	*1050	CAPLUG	13
	3	SEE PAGES 14-17		STD. PLUNGER KIT LISTING	12
	6	171150025		VALVE CPT, BOTTOM GUIDED	11
	6		171145025	VALVE CPT, SPHERICAL	10
	6	1711306	1711306	SPRING, BALL VALVE	9
	3	17113872	17113872	RETAINER, VALVE CAGE	8
	6	17114054	17114054	CAGE, BALL VALVE	7
	12	6300160	6300160	NUT, 1"-8 HVY. HEX	6
	12	49003081	49003081	STUD, 1"-8 x 6"	5
	3	1713410	1713410	SCREW, CAGE LOADING	4
	9	1711112	1711112	SEAL, VALVE CAGE	3
	3	17113882	17113882	COVER CYLINDER TOP	2
	1	171129414	171129414	CYLINDER ONLY, FULID	1
QTY REQD	PART NO.		DESCRIPTION		ITEM NO.
	171129214 (NI-AL-BRZ) ASSY. WITH DISC T.S. VALVES	171129214-S (NI-AL-BRZ) ASSY. WITH SPHERICAL VALVES	* ITEM NOT SHOWN FOR CLARITY ⊗ FOR SHIPPING PURPOSES ONLY △ SHIPPED SEPERATELY		
LIST OF MATERIAL					

SEE PAGE 9 FOR SEVERE DUTY VALVE ASSEMBLY

NOV NATIONAL OILWELL VARCO				
TITLE ASSY., FLUID END 100T-4H(J-100-H14AF)B.G.				
SIZE	REFERENCE No.	DRAWING No.	REV	
D		1711873	A	
SCALE	EST WT	SHEET 1 OF 1		
NONE				

LTR	DESCRIPTION OF CHANGE	MADE CHG	DATE	APPROVED	M NO
A	REMOVED DURABLE VALVES	MTH RPG	8.21.07		
A1	REMOVED INDIVIDUAL VALVE AND SEAT PART NUMBERS	MTH RPG	8.21.07		



* 1	1710270	1710270	BAR, STUFFING BOX ADJUSTING NUT	20
3	SEE PAGES 18 & 19		ROD, INTMD (CLAMP OR THD TYPE LISTING)	19
△ 32	700044211	700044211	SCREW, 3/4"-10 x 2 1/2" HEX HD CAP	18
4	7006309	7006309	SCREW, 1/2"-13 x 2 1/4" HEX SOC HD CAP	17
△ 2	6908019	6908019	RING, OVAL JOINT R-26	16
△ 2	6010022	6010022	GASKET, 5" FLAT RING	15
⊗ 2	*1080	*1080	CAPLUG	14
⊗ 2	*44	*44	CAPLUG	13
3	SEE PAGES 14-17		STD. PLUNGER KIT LISTING	12
1		1793526	SPRING, INNER	11
1		1793525	SPRING, OUTER	10
1		1793524-6	RETAINER, SPRING	9
3		1793522-25	VALVE CPT, SPHERICAL DISCH.	8
3		1793520-25	VALVE CPT, SPHERICAL SUCT.	7
12	6300160	6300160	NUT, HVY. HEX	6
12	49003081	49003081	STUD, 1"-8 x 6"	5
12	10000185	10000185	STUD, 1" x 3 3/4"	4
3	2410031247	2410031247	SEAL, TOP COVER	3
3	1711239	1711239	COVER, CYLINDER TOP	2
1	17114116	17114116	CYLINDER ONLY, FLUID	1
QTY REQ'D	PART NO.		DESCRIPTION	ITEM NO.

* ITEM NOT SHOWN FOR CLARITY
⊗ FOR SHIPPING PURPOSES ONLY
△ SHIPPED SEPERATELY

LIST OF MATERIAL

SEE PAGE 9 FOR SEVERE DUTY VALVE ASSEMBLY

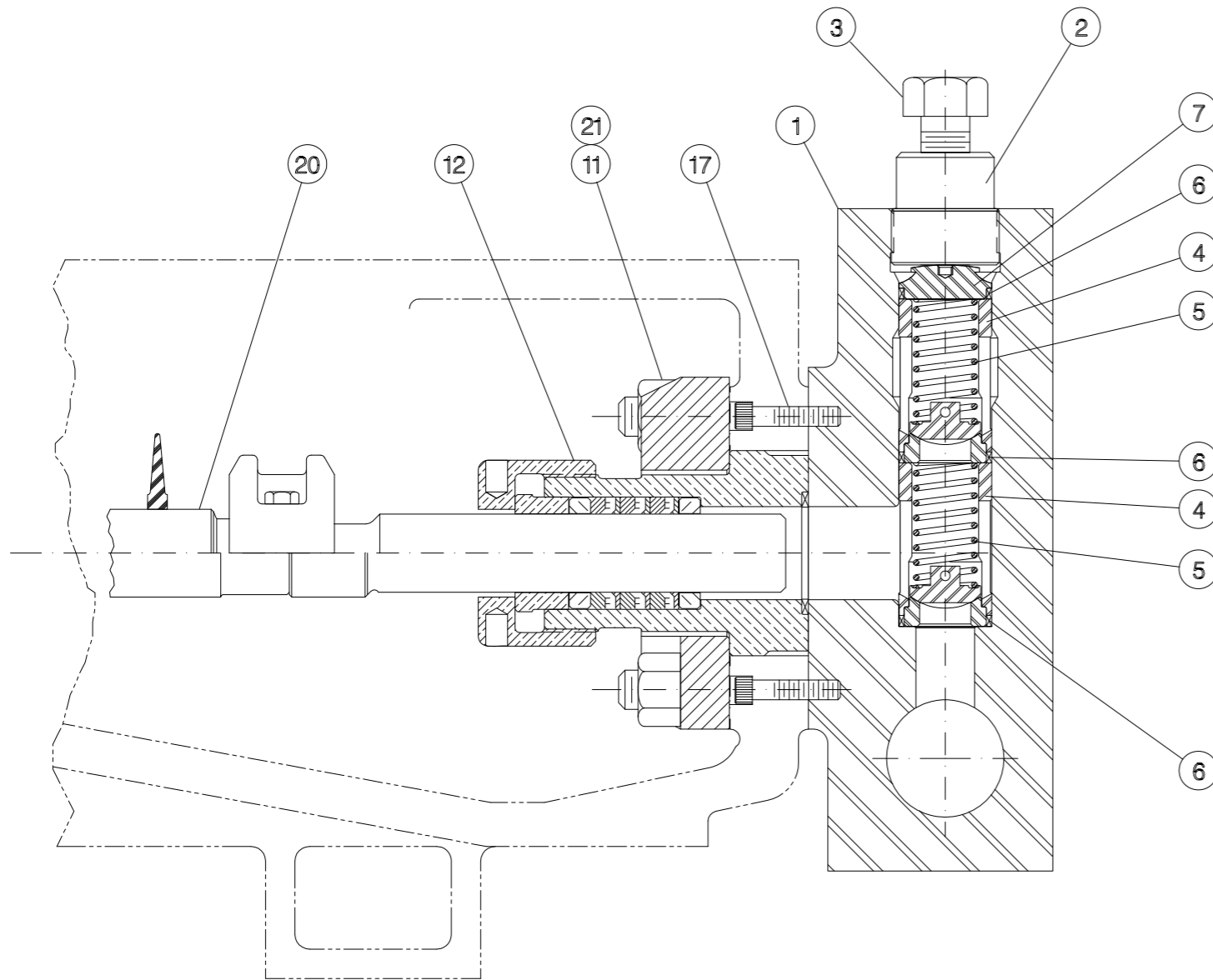
NOV NATIONAL OILWELL VARCO

TITLE ASSY. FLUID END
100T-4L (J-100-L06CF)

SIZE D REFERENCE No. DRAWING No. 1711874 REV A

SCALE NONE EST WT SHEET 1 OF 1

LTR	DESCRIPTION OF CHANGE	MADE	CHKD	DATE	APPROVED	M NO
A	REMOVED INDIVIDUAL VALVE AND SEAT PART NUMBERS	MTH	RPO	8.21.07	GRL	
B	WAS P/N 1712383	RPO	DCP	10.2.08	GRL	



	12	6300160	6300160	NUT, 1" -8 HVY HEX	21
	3	SEE PAGES 18 & 19		ROD, INT. (CLAMP OR THD. TYPE)	20
△	8	700039711	700039711	SCREW, 5/8" x 2 HX HD CAP (SUCTION CONNECTION)	19
△	8	700052510	700052510	SCREW, 1" x 2 3/4" HEX HD CAP (DISCHARGE CONNECTION)	18
	4	7006309	7006309	SCREW, 1/2" x 2 1/4" HEX SOC HD CAP	17
△	2	6908004	6908004	RING, OVAL JOINT R-20	16
△	2	6010019	6010019	GASKET, 3" FLAT RING	15
⊗	2	*45-A	*45-A	CAPLUG	14
⊗	2	*1097	*1097	CAPLUG	13
	3	SEE PAGES 14-17		STD. PLUNGER KIT LISTINGS	12
	12	49003081	49003081	STUD, 1" x 6"	11
*	1	1710270	1710270	BAR, STUFFING BOX ADJUSTING NUT	10
	6	171708025		VALVE CPT, BG CAGE	9
	6		1717090-25	VALVE CPT, SPHERICAL	8
	3	17134174	17134174	RETAINER, VALVE CAGE	7
□	9	1712373	17123873	SEAL, VALVE CAGE	6
	12	1712486	1712486	SPRING, BALL VALVE	5
	12	17125854	17125854	CAGE, VALVE	4
	3	1713410	1713410	SCREW, CAGE LOADING	3
	3	17094844	17094844	COVER, CYLINDER TOP	2
	1	17119166	17119166	CYLINDER ONLY, FLUID	1
QTY REQ'D	PART NUMBERS		MATERIAL/SPECIFICATION		ITEM NO.
	17119366 (316 S.S.) ASSY. w/BG CAGE VALVES		17119366-S (316 S.S.) ASSY. WITH SPHERICAL VALVES		
			× ITEM NOT SHOWN FOR CLARITY		
			⊗ FOR SHIPPING PURPOSES ONLY		
			△ SHIPPED SEPERATELY		

LIST OF MATERIAL

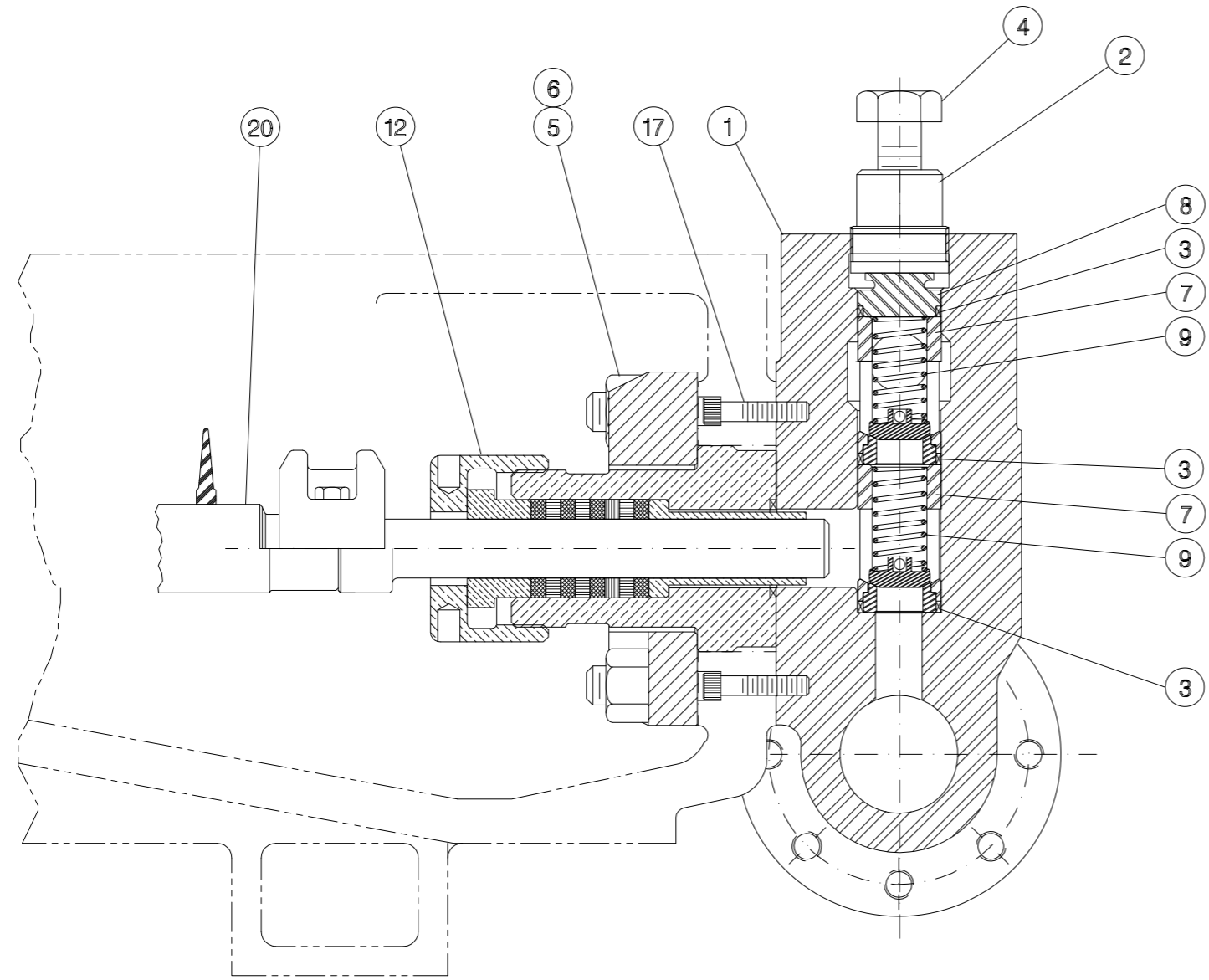
SEE PAGE 9 FOR SEVERE DUTY VALVE ASSEMBLY

NOV NATIONAL OILWELL VARCO

TITLE ASSY., FLUID END
100T-4M(J-100-M06AF) B.G.

SIZE	REFERENCE No.	DRAWING No.	REV
D		1711875	B
SCALE	EST WT	SHEET 1 OF 1	
NONE			

LTR	DESCRIPTION OF CHANGE	MADE	CHG'D	DATE	APPROVED	M. NO
A	REMOVED INDIVIDUAL VALVE AND SEAT PART NUMBERS	MTH	RPO	8.21.07		



*	1	1710270	1710270	BAR, STUFFING BOX ADJUSTING NUT	21
	3	SEE PAGES 18 & 19		ROD, INT. (CLAMP OR THD. TYPE)	20
△	8	700056810	700056810	SCREW, 1/8" x 4 HEX HD CAP (DISCH. CONN.)	19
△	16	700044211	700044211	SCREW, 3/4" x 2 1/2" HEX HD CAP (SUCTION CONN.)	18
	4	7006309	7006309	SCREW, 1/2"-13 x 2 1/4" HEX SOC HD CAP	17
△	2	6908011	6908011	RING, OVAL JOINT R-23	16
△	2	60100020	60100020	GASKET, 3" FLAT RING	15
⊗	2	*210	*210	CAPLUG	14
⊗	2	*1050	*1050	CAPLUG	13
	3	SEE PAGES 14-17		STD. PLUNGER KIT LISTING	12
	6	171150025		VALVE CPT, BOTTOM GUIDED	11
	6		171145025	VALVE CPT, SPHERICAL	10
	6	1711306	1711306	SPRING, BALL VALVE	9
	3	G17113876	G17113876	RETAINER, VALVE CAGE	8
	6	17114054	17114054	CAGE, BALL VALVE	7
	12	6300160	6300160	NUT, 1"-8 HVY. HEX	6
	12	49003081	49003081	STUD, 1"-8 x 6"	5
	3	1713410	1713410	SCREW, CAGE LOADING	4
	9	1711112	1711112	SEAL, VALVE CAGE	3
	3	17113882	17113882	COVER, CYLINDER TOP	2
	1	G17112946	G17112946	CYLINDER ONLY, FLUID	1
QTY REQ'D	PART NUMBERS		MATERIAL/SPECIFICATION		ITEM NO.
	17112926 (316 S.S.) ASSY. w/BG CAGE VALVES	17112926-S (316 S.S.) ASSY. WITH SPHERICAL VALVES	* ITEM NOT SHOWN FOR CLARITY ⊗ FOR SHIPPING PURPOSES ONLY △ SHIPPED SEPERATELY		
LIST OF MATERIAL					

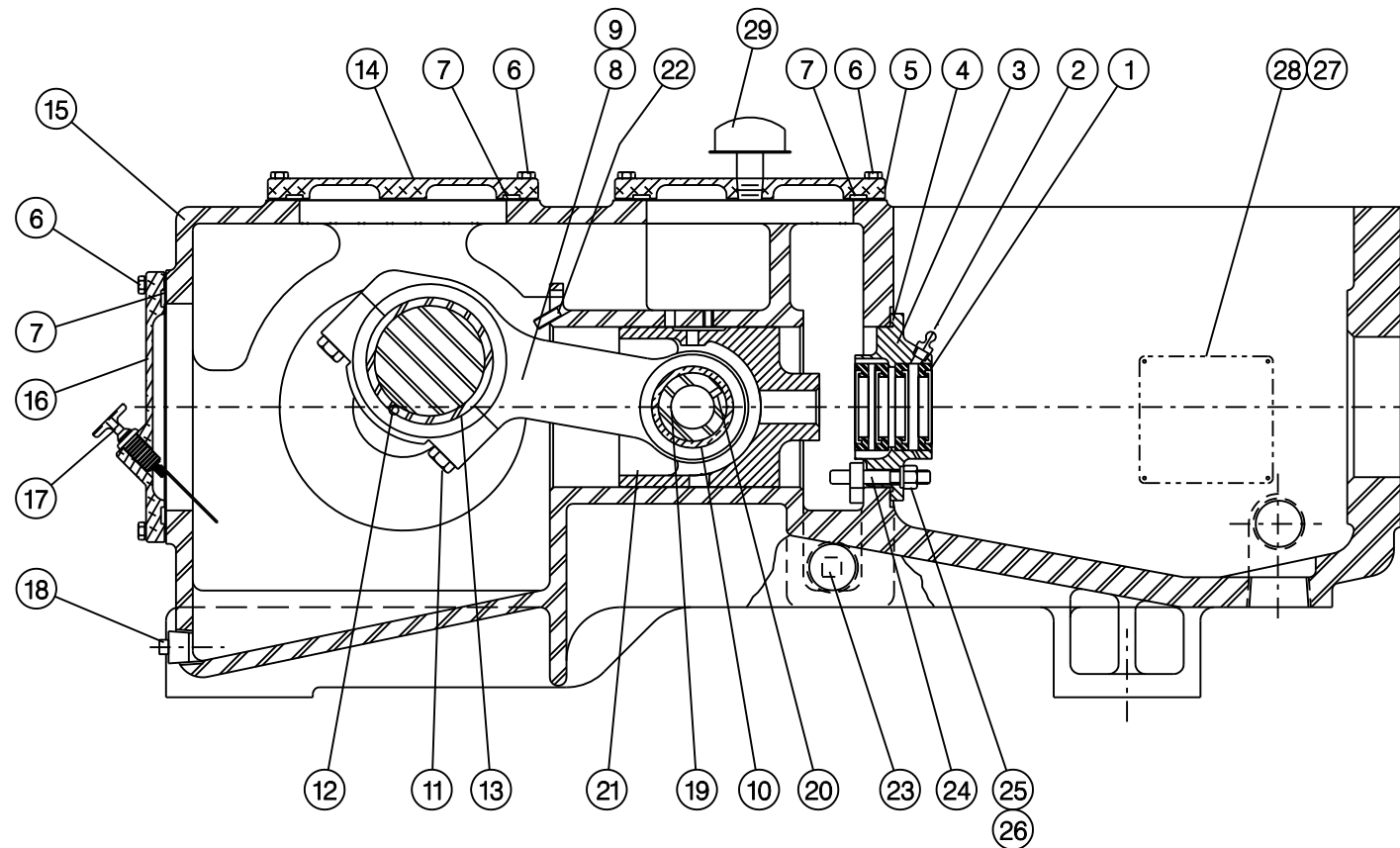
SEE PAGE 9 FOR SEVERE DUTY VALVE ASSEMBLY

6

NOV NATIONAL OILWELL VARCO

TITLE ASSY., FLUID END
100T-4H(J-100-H06AF)

SIZE D	REFERENCE No.	DRAWING No. 1711876	REV A
SCALE NONE	EST WT	SHEET 1 OF 1	



1	7802020	BREATHER CAP	29
1	G2407274	PLATE, WARNING	28
8	25854647	SCREW, RD. HD. DRIVE	27
6	7618018	WASHER, 1/2" STAT-O-SEAL	26
6	6308080	NUT, 1/2" STAINLESS LOC	25
6	1716031	BOLT, INTERMEDIATE HOOK	24
1	6874012	PLUG, 1/2" STD. PIPE	23
3	6572420	PIN, SPRING ROLL	22
3	1711005	CROSSHEAD	21
1	H7028104	SCREW, 1/4"x 1/2" SOC. HD. CONE PT. SET	20
3	1711008	PIN, CROSSHEAD (INCLUDES ITEM *20)	19
2	6874008	PLUG, 1" STD. PIPE	18
1	2400054	GAUGE, DIPSTICK OIL	17
1	1711015	PLATE, POWER END REAR COVER	16
1	1711001	FRAME, MAIN	15
1	1711013	PLATE, POWER END TOP COVER	14
6	1711117	BUSHING, ALUM.	13
1	6510504	PIN, 5/16" x 1/2" DOWEL	12
2	1711116	BOLT, CONN. ROD	11
1	1711010P	BUSHING, BRONZE	10
1	1711113	ROD ONLY, CONN.	9
3	G-1711114	ROD COMPLETE (INCLUDES ITEMS *9 THRU *12)	8
1		GASKET, REAR COVER PLATE	7
1	1711435	GASKET, TOP COVER PLATE	
1		GASKET, CROSSHEAD COVER PLATE	
LISTED	7000209-11	SCREW, 3/8" x 1/4" HEX HEAD CAP	6
1	1711014	PLATE, CROSSHEAD COVER	5
3	G-2410031-258	SEAL, INT. ROD WIPER RETAINER	4
3	G-1711309	RETAINER, INT. ROD WIPER	3
3	7805052	FITTING, ALEMITE 1/8"	2
12	7822034	WIPER, INT. ROD	1
QTY REQ'D	PART NO.	DESCRIPTION/MATERIAL	ITEM NO.
LIST OF MATERIAL			

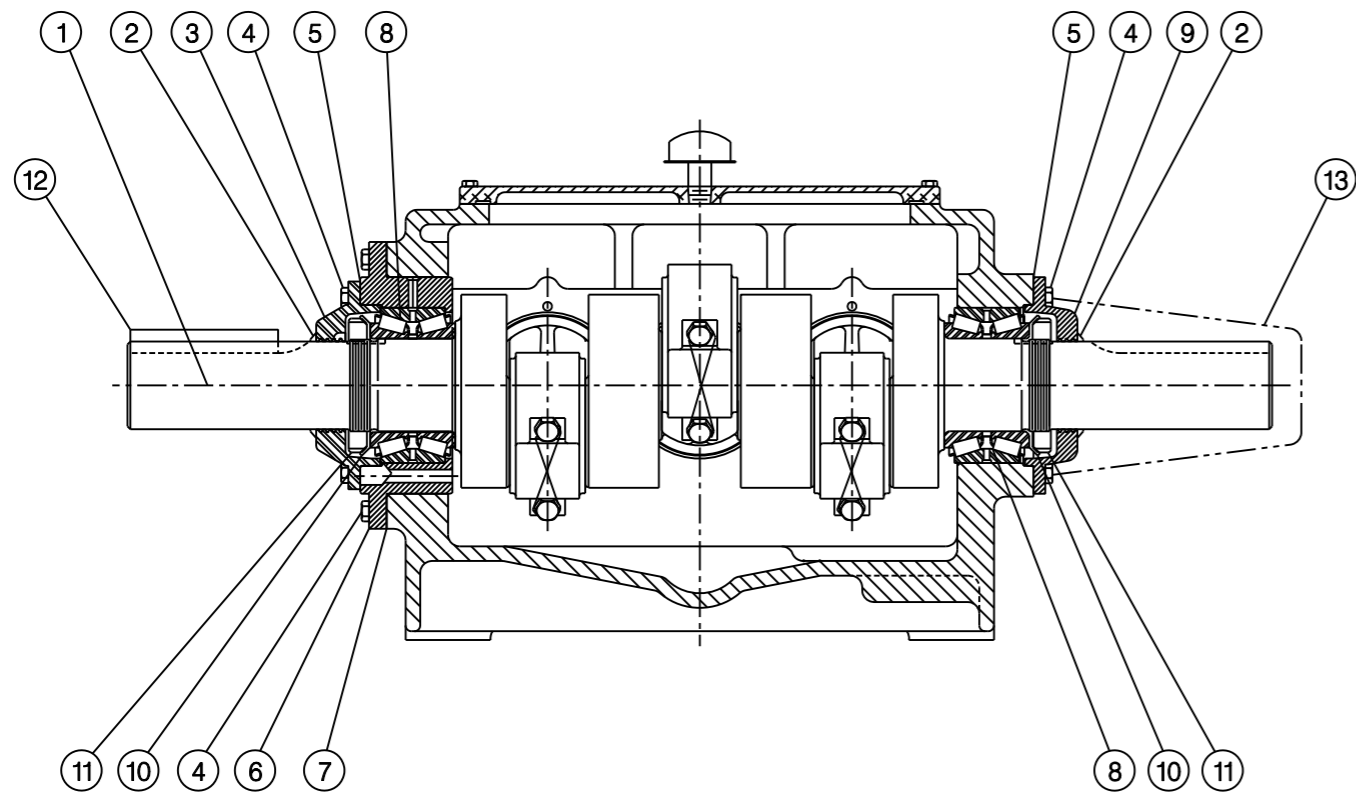
7

NOV NATIONAL OILWELL VARCO

TITLE POWER END ASSEMBLY
100T-4 TRIPLEX PUMP

SIZE D	REFERENCE No.	DRAWING No. 1711877	REV
SCALE NONE	EST WT	SHEET 1 OF 1	

LTR	DESCRIPTION OF CHANGE	MADE	CHKD	DATE	APPROVED	M NO
A	QTY. REQ'D. WAS 'LISTED'	DCP	RPQ	10-27-00		
B	WAS PART No. G-1711002	DCP	RPQ	03.02.07		



**	1	1711129	COVER, CRANKSHAFT EXT. (SLOTTED LUBRICATOR)	13
*	1	1711128	COVER, CRANKSHAFT EXT. (SOLID)	13
	1	2404027	KEY, CRANKSHAFT 1/8x1/8x 6 SQ.	12
	2	6304040	NUT, TIMKEN TAN-20 LOCK	11
	2	7610042	WASHER, TIMKEN NO. TW-120 LOCK	10
	1	1711022	RETAINER, CRANKSHFT BEARING	9
	2	ZT-4006	BEARING, CRANKSHAFT ROLLER	8
	1	1711614	GASKET, MAIN BEARING CAGE	7
	1	1711617	CAGE, MAIN BEARING	6
	2	1703960	GASKET, CRANKSHAFT BEARING RETAINERS	5
[A]	20	2401510	SCREW, 1/2" x 1 1/2" DRILLED HD.	4
	1	1711618	RETAINER, CRANKSHAFT BRG.	3
	2	1704800	EXCLUDER, DIRT (1-ONLY W/G. REDUCER)	2
[B]	1	171100213	CRANKSHAFT	1
QTY REQD	PART No.	DESCRIPTION/MATERIAL		ITEM No.
LIST OF MATERIAL				

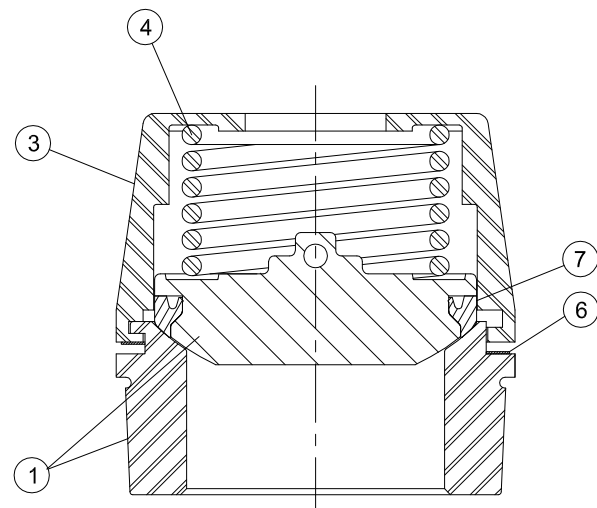
* FURNISHED ONLY WHEN NO
ACCESSORY DRIVES ARE REQUIRED

** OPTIONAL EQUIPMENT

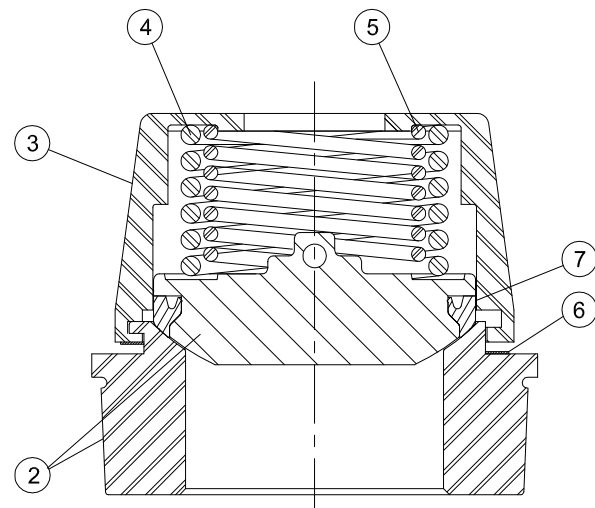
8

TITLE				
CRANKSHAFT ASSEMBLY 100T-4 TRIPLEX PUMP				
SIZE	REFERENCE No.	DRAWING No.	REV	
B		1711878	B	
SCALE	EST WT	SHEET		
1/8		1 OF 1		

LTR	DESCRIPTION OF CHANGE	MADE	CHKD	DATE	APPROVED	M NO
A	WAS DURABLA TAPERED SEAT VALVE ASSY	WFL	RPQ	8.21.07		



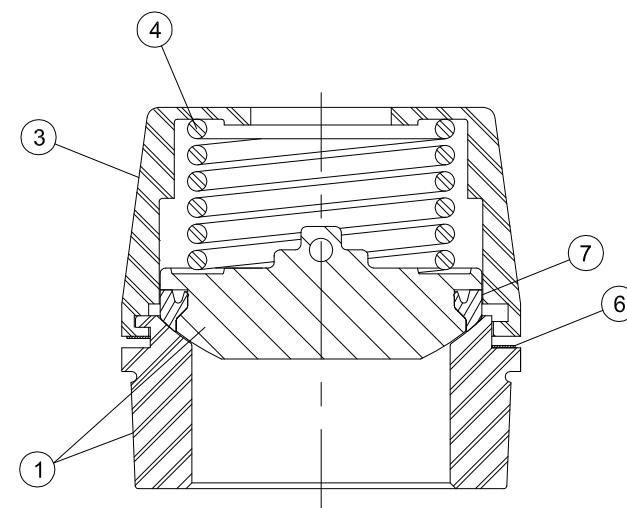
SUCTION



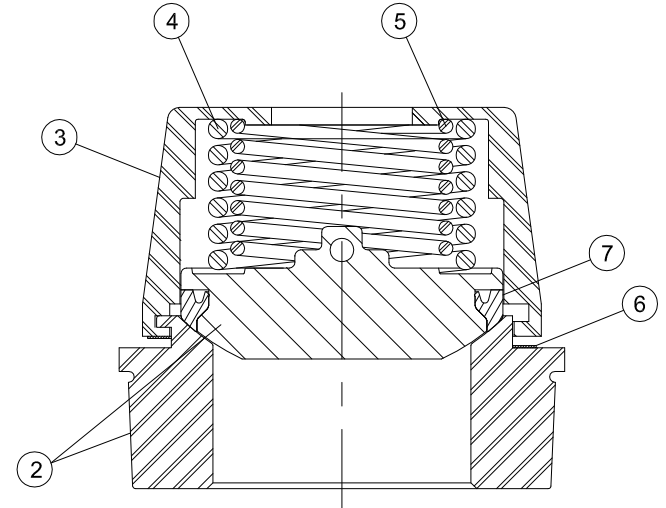
DISCHARGE

1	9707075	SEAL / INSERT	7
1	9707081	WAVE RING	6
1	1793526	SPRING, INNER	5
1	1793525	SPRING, OUTER	4
1	1793524-6W	RETAINER, SPRING	3
1	1793522-25SD	VALVE CPT., DISCHARGE - SEVERE DUTY	2
1	1793520-25SD	VALVE CPT., SUCTION - SEVERE DUTY	1
QTY REQ'D	PART No.	DESCRIPTION	ITEM No.

100T-4L
TAPERED SEAT
SPHERICAL SD TYPE



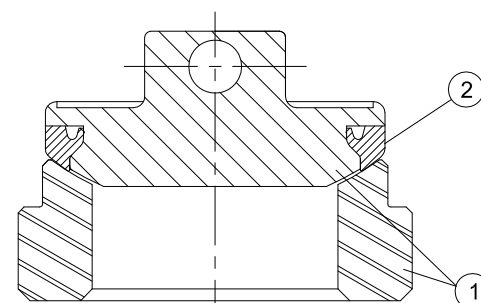
SUCTION



DISCHARGE

1	9707087	SEAL / INSERT	7
1	9707083	WAVE RING	6
1	1792526	SPRING, INNER	5
1	1792525	SPRING, OUTER	4
1	1792524-6W	RETAINER, SPRING	3
1	1792522-25SD	VALVE CPT., DISCHARGE - SEVERE DUTY	2
1	1792520-25SD	VALVE CPT., SUCTION - SEVERE DUTY	1
QTY REQ'D	PART No.	DESCRIPTION	ITEM No.

100T-4M
TAPERED SEAT
SPHERICAL SD TYPE



SUCTION & DISCHARGE

1	9707090	SEAL / INSERT	2
1	1711450-25SD	VALVE CPT., SUCTION & DISCHARGE - SEVERE DUTY	1
QTY REQ'D	PART No.	DESCRIPTION	ITEM No.

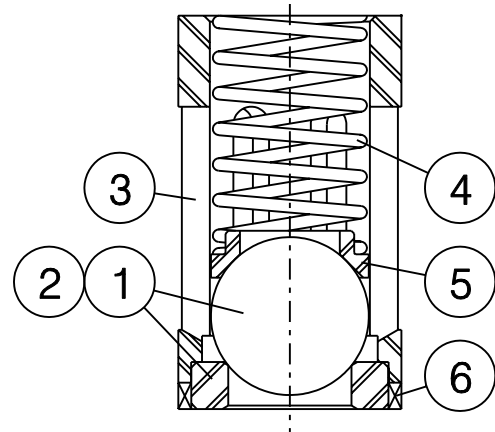
100T-4H
CAGE TYPE
SPHERICAL SD TYPE

NOV NATIONAL OILWELL VARCO
HOUSTON, TEXAS U.S.A. ENGINEERING, McALESTER, OKLAHOMA

TITLE: SEVERE DUTY VALVE ASSY.
100T-4 TRIPLEX PLUNGER PUMP

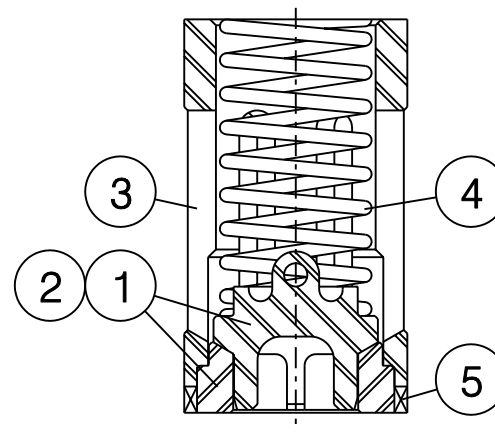
SIZE B	REFERENCE No.	DRAWING No. 1711879	REV A
SCALE	EST WT	SHEET 1 OF 1	

1	1712373	1711112	SEAL	6
1	1712372	1711105	RETAINER, SPRING	5
1	1712371	1711103	SPRING	4
1	1712370-4	1711101-6	CAGE	3
1	1712367	1711106	VALVE & SEAT (DISCHARGE)	2
1	1712367	1711106	VALVE & SEAT (SUCTION)	1
QTY REQ'D	PART No. 100T-4M	PART No. 100T-4H	DESCRIPTION	ITEM NO.
LIST OF MATERIAL				



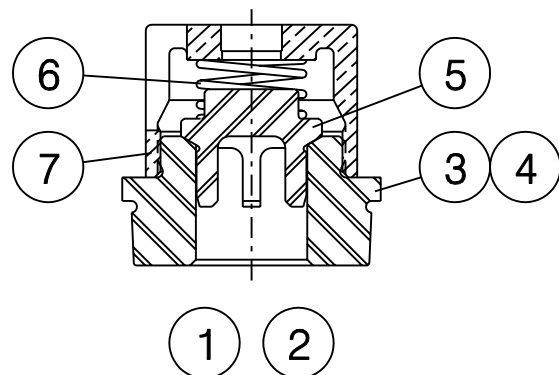
100T - 4M &
100T - 4H
CAGE TYPE
BALL VALVE

1	1712373	1711112	SEAL	5
1	1712486	1711306	SPRING	4
1	17125854	17114054	CAGE	3
1	1717080-25	1711500-25	VALVE & SEAT (DISCHARGE)	2
1	1717080-25	1711500-25	VALVE & SEAT (SUCTION)	1
QTY REQ'D	PART No. 100T-4M	PART No. 100T-4H	DESCRIPTION	ITEM NO.
LIST OF MATERIAL				



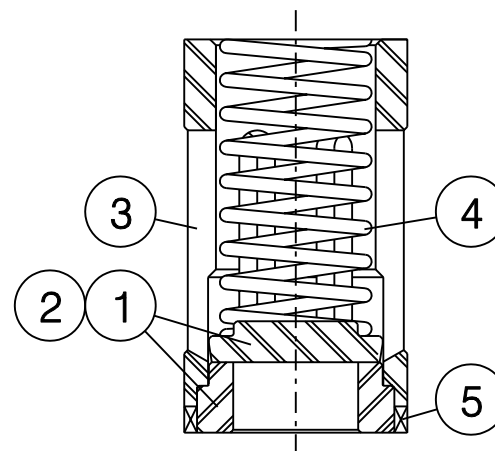
100T - 4MCA & 4HCA
BOTTOM GUIDED
CAGE TYPE VALVE

1	17930426	179250426	RETAINER, SPRING	7
1	1793505P	1792505P	SPRING	6
1	1790067	1790066	VALVE	5
1		17925034	SEAT, VALVE - DISCHARGE	4
1		17925014	SEAT, VALVE - SUCTION	4
1	17935034		SEAT, VALVE - DISCHARGE	3
1	17935014		SEAT, VALVE - SUCTION	3
1	1793502-4	1792502-4	VALVE CPT. - DISCHARGE	2
1	1793500-4	1792500-4	VALVE CPT. - SUCTION	1
QTY REQ'D	PART No. 100T-4L	PART No. 100T-4M	DESCRIPTION	ITEM NO.
LIST OF MATERIAL				



100T - 4L & 4M
BOTTOM GUIDED
TAPERED SEAT VALVE

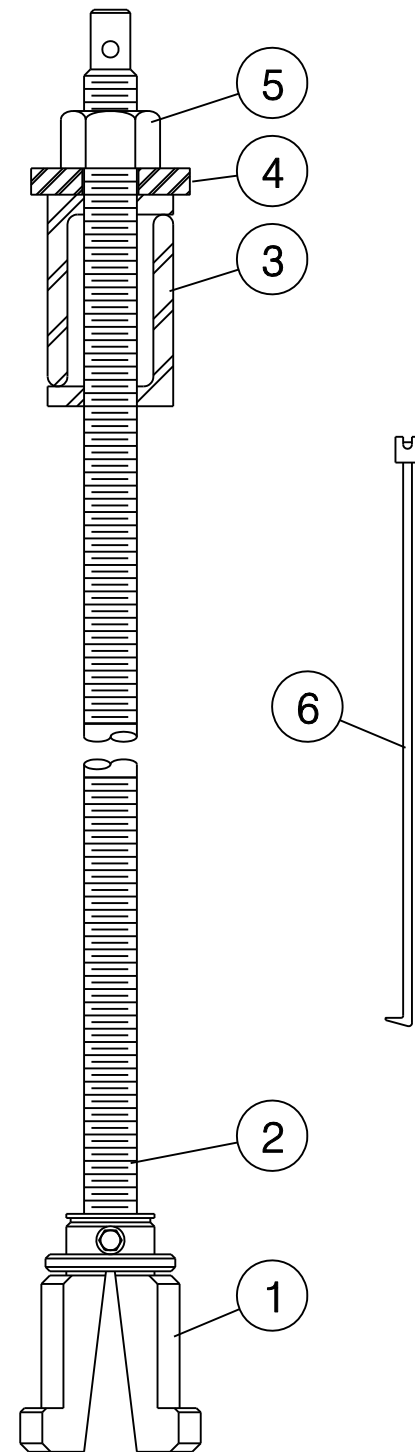
1	1712373	1711112	SEAL	5
1	1712486	1711306	SPRING	4
1	17125854	17113054	CAGE	3
1	1712582	1711332	VALVE & SEAT (DISCHARGE)	2
1	1712580	1711330	VALVE & SEAT (SUCTION)	1
QTY REQ'D	PART No. 100T-4M	PART No. 100T-4H	DESCRIPTION	ITEM NO.
LIST OF MATERIAL				



100T - 4MCA & 4HCA
CAGE TYPE
DISC VALVE

NOV NATIONAL OILWELL VARCO			
TITLE CAGE TYPE VALVE ASSEMBLY 100T-4 TRIPLEX PLUNGER PUMP			
SIZE B	REFERENCE No.	DRAWING No. 1711880	REV
SCALE 1/2	EST WT	SHEET 1 OF 1	

LTR	DESCRIPTION OF CHANGE	MADE CHKD	DATE	APPROVED	M NO
A	REMOVED DURABLA VALVES	MTH RPO	8.21.07		



SPHERICAL TAPERED SEAT VALVE KIT

100T-4L			
ITEM NO.	PART No.	DESCRIPTION	QTY. REQD.
	180104135	VALVE KIT COMPLETE	1
1	181259359	HEAD	1
2	20220159	STEM	1
3	181205709	SPACER	1
4	75518308	NUT, 1"-8	1
5	20220194	WASHER	1
6	1790034	RETRIEVER	1

100T-4M			
ITEM NO.	PART No.	DESCRIPTION	QTY. REQD.
	180104119	VALVE KIT COMPLETE	1
1	18259250	HEAD	1
2	20220159	STEM	1
3	181205709	SPACER	1
4	75518308	NUT, 1"-8	1
5	20220194	WASHER	1
6	1790034	RETRIEVER	1

11

NOV NATIONAL OILWELL VARCO

TITLE VALVE SERVICE KITS
100T-4 PLUNGER PUMP

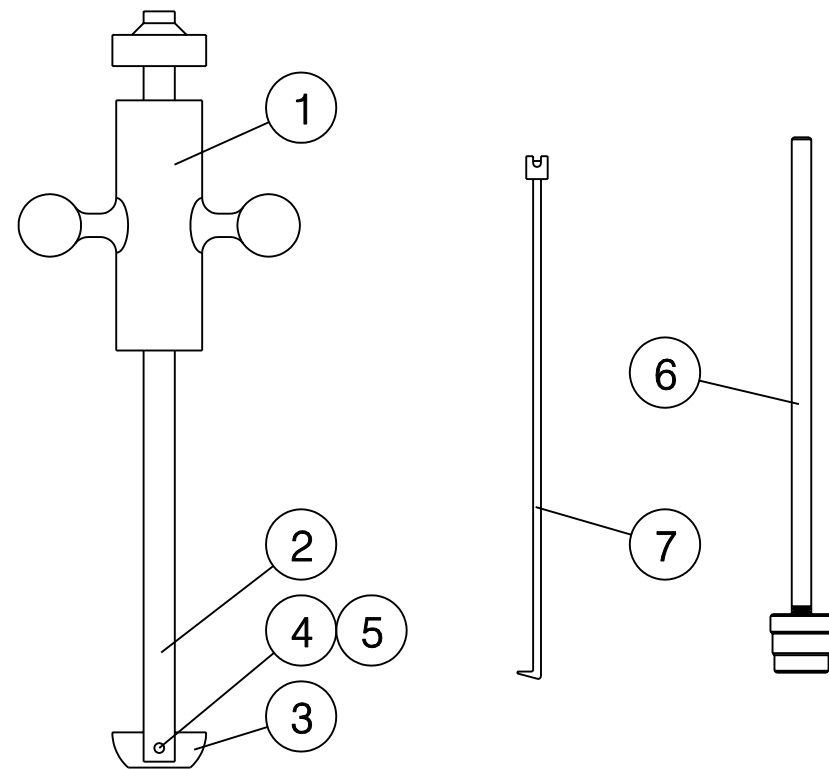
SIZE B	REFERENCE No.	DRAWING No. 1711881	REV A
SCALE 3/16	EST WT	SHEET 1 OF 1	

100T - 4HCA /4 PO			
ITEM NO.	PART No.	DESCRIPTION	QTY. REQD.
	1711251	VALVE KIT COMPLETE	1
	1711249	BAR CPT. (INCL. 2-5)	1
1	1790080	BUMPER	1
2	1710250	BAR	1
3	1711252	PLATE	1
4	6572016	PIN	1
5	6571216	PIN	1
6	1790041	DRIVER	1
7	1790034	RETRIEVER	1

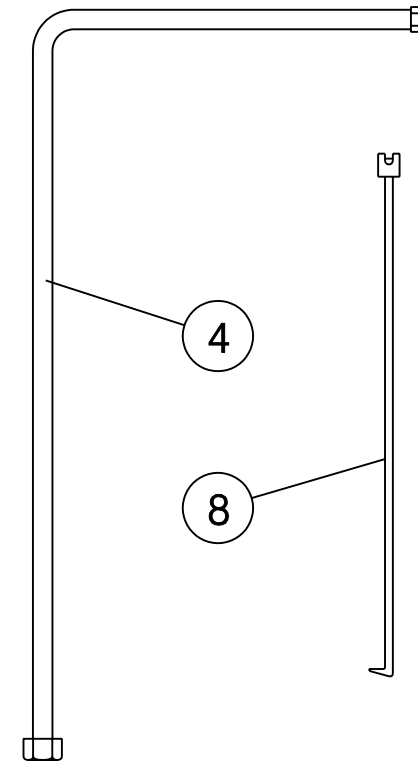
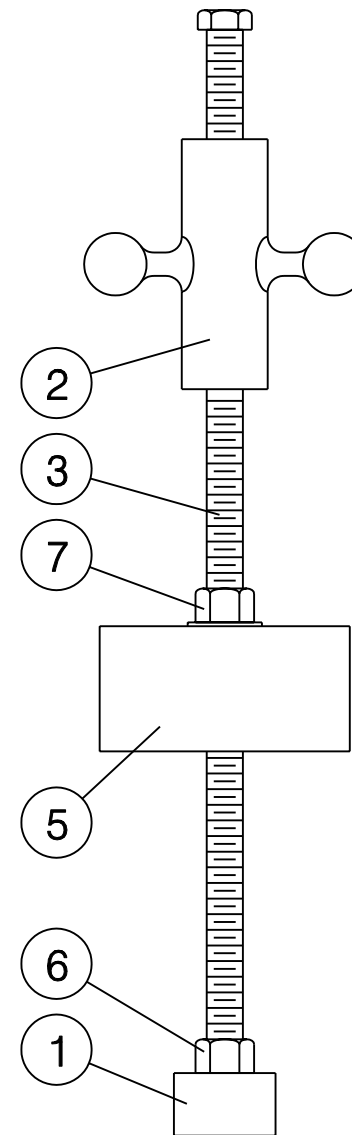
100T - 4MCA			
ITEM NO.	PART No.	DESCRIPTION	QTY. REQD.
	1712342	VALVE KIT COMPLETE	1
	1712242	BAR CPT. (INCL. 2-5)	1
1	1790080	BUMPER	1
2	1710250	BAR	1
3	1712263	PLATE	1
4	6572016	PIN	1
5	6571216	PIN	1
6	1790042	DRIVER	1
7	1790034	RETRIEVER	1

100T - 4MC			
ITEM NO.	PART No.	DESCRIPTION	QTY. REQD.
	1792507	VALVE KIT COMPLETE	1
1	1792506	HEAD	1
2	1790080	BUMPER	1
3	1790081	BAR	1
4	1790082	WRENCH	1
5	1713109	SUPPORT	1
6	6300160	NUT	1
7	6314002	NUT	1
8	1790034	RETRIEVER	1

100T-4LC			
ITEM NO.	PART No.	DESCRIPTION	QTY. REQD.
	1793507	VALVE KIT COMPLETE	1
1	1793507	HEAD	1
2	1790080	BUMPER	1
3	1790081	BAR	1
4	1790082	WRENCH	1
5	1713109	SUPPORT	1
6	6300160	NUT	1
7	6314002	NUT	1
8	1790034	RETRIEVER	1

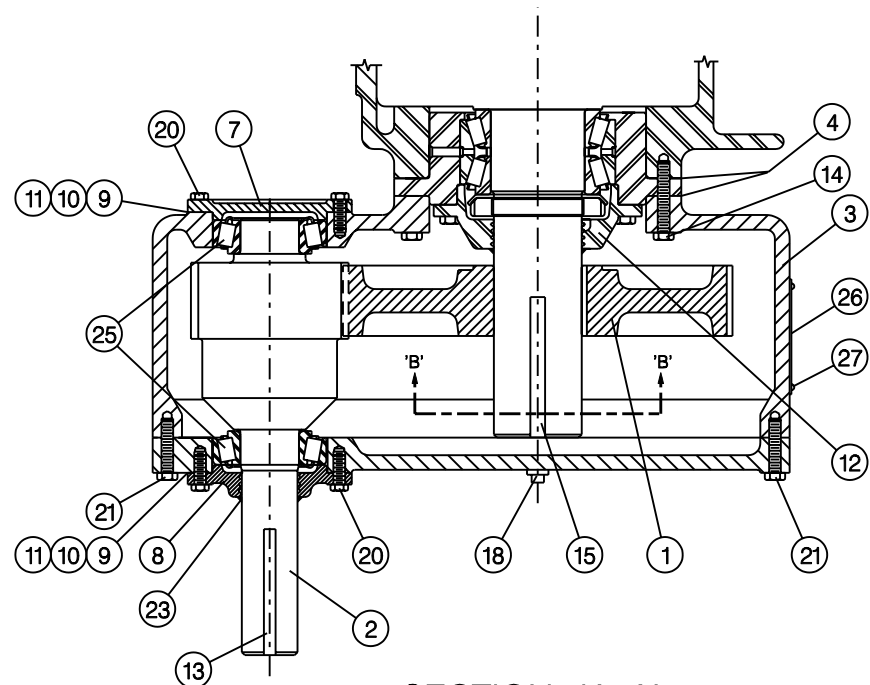


CAGE TYPE VALVE KIT
(SPHERICAL, BOTTOM GUIDED, DISC, OR BALL)

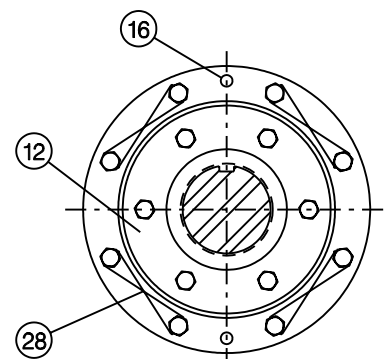
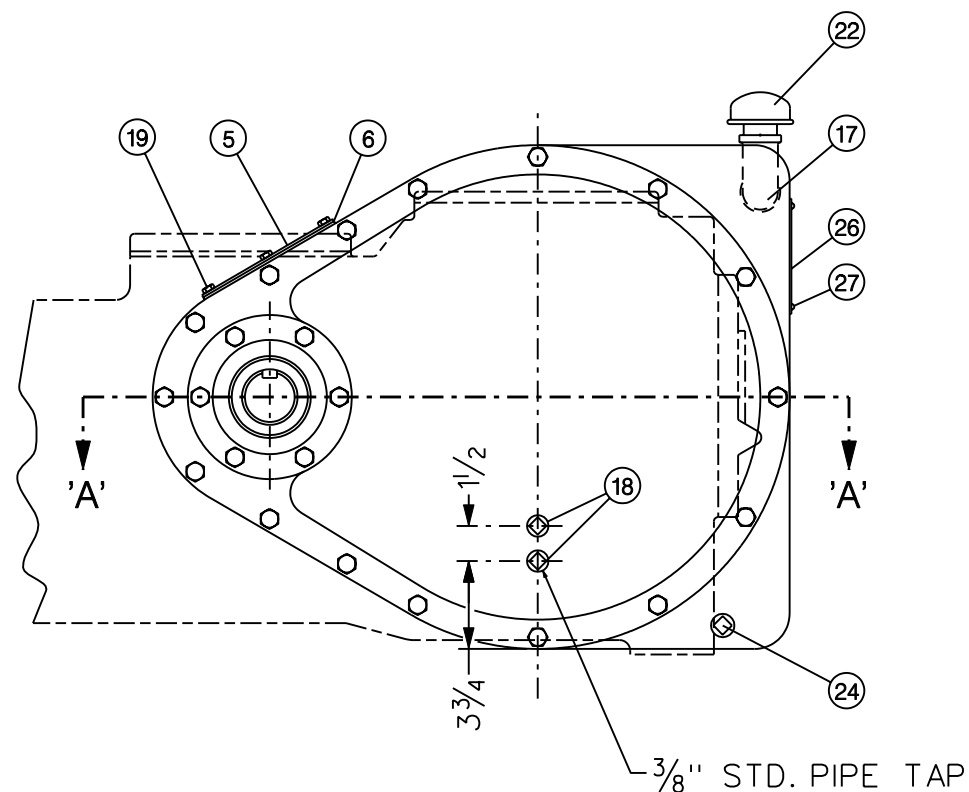


NATIONAL OILWELL TAPERED SEAT VALVE KIT

NOV NATIONAL OILWELL VARCO			
TITLE VALVE SERVICE KITS 100T-4 PLUNGER PUMP			
SIZE B	REFERENCE No.	DRAWING No. 1711882	REV
SCALE 1/6	EST WT	SHEET 1 OF 1	



SECTION 'A-A'



SECTION 'B-B'

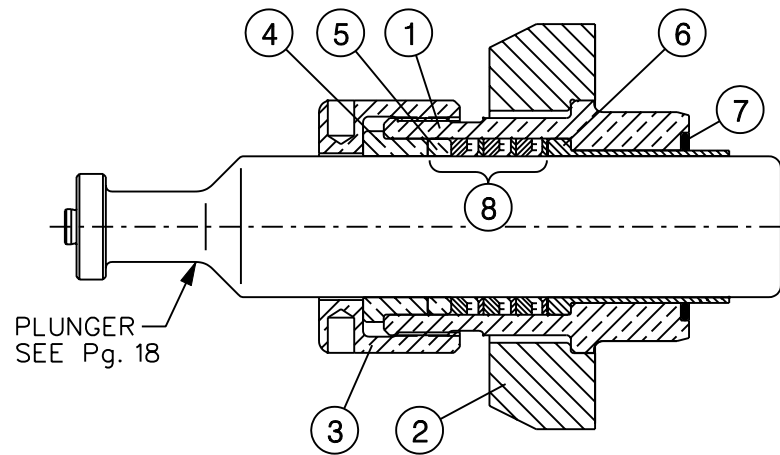
ITEM #1 REMOVED FOR CLARITY

3 FT.		59800016				LOCKWIRE, *16 GA. ANNEALED	28
4		7178025				SCREW, RD HD DRIVE *2 x 1/4"	27
1		1711606				PLATE, NAME & INSTRUCTION	26
2		ZT-2501				BEARING, PINION SHAFT	25
1		7815059				PLUG, MAGNETIC DRAIN 1/4"	24
1		1119310				EXCLUDER, BRG	23
1		7802020				CAP, BREATHER *S-183	22
16		7000309-11				SCREW, HEX HD CAP 1/2" x 2 1/4"	21
12		7000304-11				SCREW, HEX HD CAP 1/2" x 1/4"	20
4		7000206-11				SCREW, HEX HD CAP 3/8" x 3/4"	19
2		6874003				PLUG, STD PIPE 3/8"	18
1		6829008				ELBOW, STD 1" x 90° STREET	17
2		6580852				PIN, TAPER *8 x 3 1/4"	16
1		2404045				KEY, GEAR 7/8" x 7/8" x 3"	15
8		2405529				SCREW, HEX HD DRLD 1/2" x 3 1/4"	14
1		2402330				KEY, PINION 5/8" x 5/8" x 4"	13
1		1711622				RETAINER, CRANKSHAFT BRG	12
6		1711627				SHIM, BEARING RETAINER .007	11
6		1712625				SHIM, BEARING RETAINER .005	10
2		1711620				SHIM, BEARING RETAINER .020	9
1		1711605				CAP, H.S. PINION BRG OPEN	8
1		1711604				CAP, H.S. PINION BRG BLIND	7
1		1711619				GASKET, INSPECTION COVER	6
1		1105609				COVER, INSPECTION	5
1		7817200-68				GASKET, LOCTITE PLASTIC	4
1	1711602	1711602	1711602	1711602	1711602	HOUSING CPT, GEAR REDUCER	3
1	1711616	1711615	1711621	1711613	1711612	PINION	2
1	1711608	1711609	1711607	1711610	1711611	GEAR	1
QTY REQ'D	PART NO.	PART NO.	PART NO.	PART NO.	PART NO.	DESCRIPTION	ITEM NO.
	1711633	1711632	1711634	1711631	1711630		
	4.269:1 RATIO	3.89:1 RATIO	3.42:1 RATIO	3.15: RATIO	2.60:1 RATIO		
GEAR REDUCER ASSY. COMPLETE B/M No.'s							

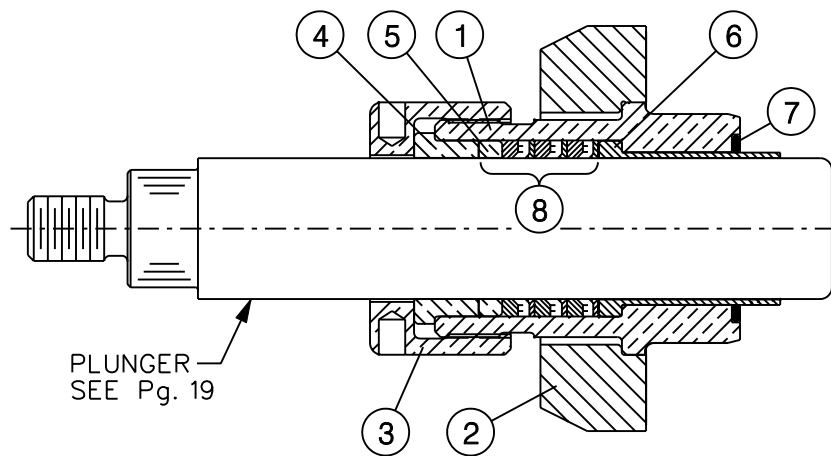
NOV NATIONAL OILWELL VARCO

TITLE
GEAR REDUCER ASSEMBLY
100T-4 TRIPLEX PLUNGER PUMP

SIZE B	REFERENCE No.	DRAWING No. 1711883	REV
SCALE 1/8	EST WT	SHEET 1 OF 1	



100T- 4L & 4M PLUNGER KIT WITH CLAMPED PLUNGER



100T- 4L & 4M PLUNGER KIT WITH THREADED PLUNGER

1	49012041	2 1/4" - 850-N UNIVERSAL PACKING	8
1	6422331	2 3/8" - 850-N UNIVERSAL PACKING	
1	6422336	2 5/8" - 850-N UNIVERSAL PACKING	
1	6422339	2 7/8" - 850-N UNIVERSAL PACKING	
1	6422341	3 1/8" - 850-N UNIVERSAL PACKING	
1	49010923	3 1/4" - 850-N UNIVERSAL PACKING	
1	6422344	3 3/8" - 850-N UNIVERSAL PACKING	
1	2410031-335	2 1/4" SEAL, STUFFING BOX	
1	2410031-345	3 3/8" - 2 3/8" SEAL, STUFFING BOX	
1	1711858	2 1/4" SLEEVE WASHER	6
1	1711161	2 3/8" SLEEVE WASHER	
1	1711162	2 5/8" SLEEVE WASHER	
1	1711163	2 7/8" SLEEVE WASHER	
1	1711164	3 1/8" SLEEVE WASHER	
1	1711070	3 1/4" SLEEVE WASHER	
1	1711165	3 3/8" SLEEVE WASHER	
2	1711856	2 1/4" WASHER	
2	1711096	2 3/8" WASHER	
2	1711097	2 5/8" WASHER	
2	1711098	2 7/8" WASHER	
2	1711099	3 1/8" WASHER	
2	1711072	3 1/4" WASHER	
2	1711100	3 3/8" WASHER	
1	1711857	2 1/4" GLAND	4
1	1711093	2 3/8" GLAND	
1	1711092	2 5/8" GLAND	
1	1711091	2 7/8" GLAND	
1	1711090	3 1/8" GLAND	
1	1711071	3 1/4" GLAND	
1	1711089	3 3/8" GLAND	
1	1711025	2 1/4" NUT, ADJUSTING	
1	1711065	2 3/8"-3 3/8" NUT, ADJUSTING	
1	1711416-1	RETAINER, STUFFING BOX 2 1/4"	2
1	1711316	RETAINER, STUFFING BOX 2 3/8"-3 3/8"	
1	1711493-2	2 1/4" PLG'R x 2 7/8" BORE STUFFING BOX	1
1	1711494-2	2 3/8" PLG'R x 3 1/8" BORE STUFFING BOX	
	1711495-2	2 5/8" PLG'R x 3 5/8" BORE STUFFING BOX	
1	1711495-2	2 7/8" PLG'R x 3 5/8" BORE STUFFING BOX	
1	1711496-2	3 1/8" PLG'R x 4 1/8" BORE STUFFING BOX	
1	1711496-2	3 1/4" PLG'R x 4 1/8" BORE STUFFING BOX	
1	1711496-2	3 3/8" PLG'R x 4 1/8" BORE STUFFING BOX	
QTY REQ'D	PART NO.	DESCRIPTION	

LIST OF MATERIAL

100T- 4L PLUNGER KIT

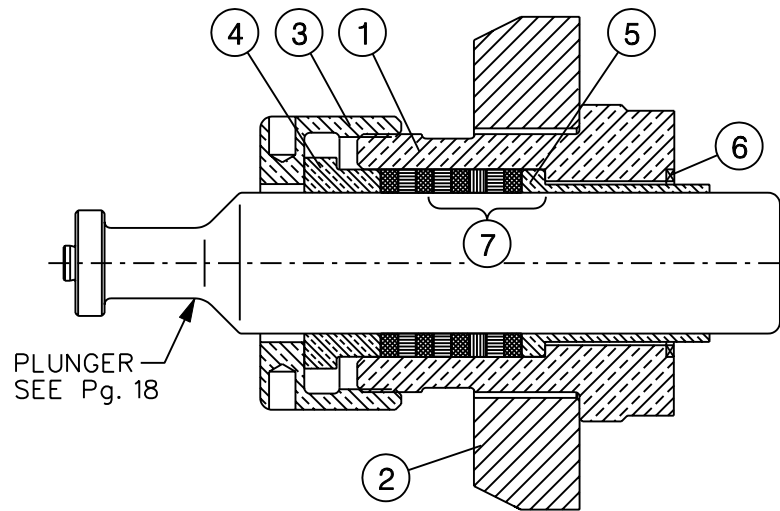
1	6422317	1 5/8" 850-N UNIVERSAL PACKING	8	
1	6422318	1 3/4" 850-N UNIVERSAL PACKING		
1	6422321	1 7/8" 850-N UNIVERSAL PACKING		
1	6422323	2" 850-N UNIVERSAL PACKING		
1	6422325	2 1/8" 850-N UNIVERSAL PACKING		
1	2410031-335	SEAL, STUFFING BOX		7
1	1711154	1 5/8" SLEEVE WASHER		
1	1711155	1 3/4" SLEEVE WASHER		6
1	1711156	1 7/8" SLEEVE WASHER		
1	1711157	2" SLEEVE WASHER	5	
1	1711158	2 1/8" SLEEVE WASHER		
2	1712163	1 5/8" WASHER		
2	1712056	1 3/4" WASHER		
2	1711058	1 7/8" WASHER		
2	1711059	2" WASHER		
2	1711060	2 1/8" WASHER		
1	1711050	1 5/8" GLAND		4
1	1711051	1 3/4" GLAND		
1	1711052	1 7/8" GLAND		
1	1711053	2" GLAND		
1	1711054	2 1/8" GLAND	3	
1	1711298	1 3/4"-1 5/8" NUT, ADJUSTING		
1	1711025	2 1/8"-1 7/8" NUT, ADJUSTING	2	
1	1711416-1	RETAINER, STUFFING BOX		
1	1711497-2	1 5/8" PLG'R x 2 1/2" BORE STUFFING BOX	1	
1	1711497-2	1 3/4" PLG'R x 2 1/2" BORE STUFFING BOX		
1	1711493-2	1 7/8" PLG'R x 2 7/8" BORE STUFFING BOX		
1	1711493-2	2" PLG'R x 2 7/8" BORE STUFFING BOX		
1	1711493-2	2 1/8" PLG'R x 2 7/8" BORE STUFFING BOX		
QTY REQ'D	PART NO.	DESCRIPTION	ITEM NO.	

LIST OF MATERIAL

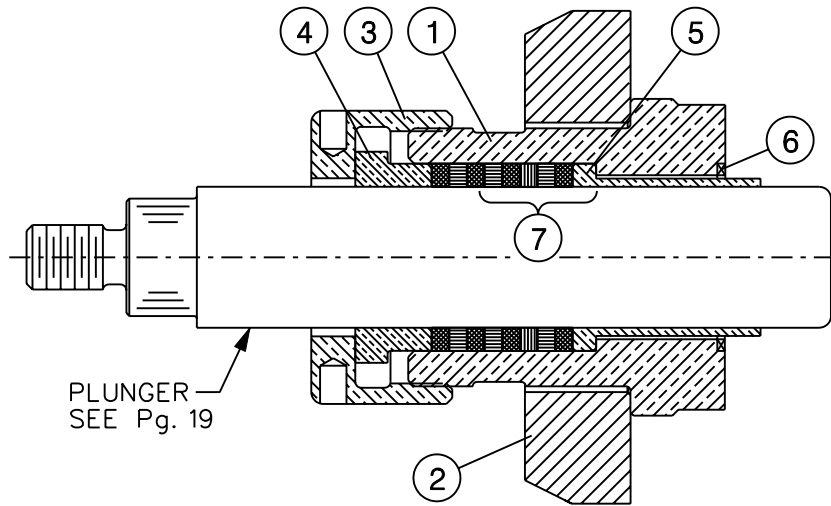
100T- 4M PLUNGER KIT

6 USE ONLY WITH CERAMIC PLUNGER.
REPLACE ONE OF ITEM *5 WITH ITEM *6.

NOV NATIONAL OILWELL VARCO			
TITLE ASSEMBLY, PLUNGER KIT			
100T-4L & 4M TRIPLEX PUMP			
SIZE	REFERENCE No.	DRAWING No.	REV
B		1711884	
SCALE	NONE	EST WT	SHEET 1 OF 1



100T- 4M & 4H PLUNGER KIT
WITH CLAMPED PLUNGER



100T- 4M & 4H PLUNGER KIT
WITH THREADED PLUNGER

QTY REQ'D	PART NO.	DESCRIPTION	ITEM NO.
1	6420464	1/4" - 1045 UNIVERSAL PACKING	7
1	6420438	13/8" - 1045 UNIVERSAL PACKING	
1	6420459	1/2" - 1045 UNIVERSAL PACKING	
1	6420460	15/8" - 1045 UNIVERSAL PACKING	
1	6420461	13/4" - 1045 UNIVERSAL PACKING	
1	2410031-330	SEAL, STUFFING BOX	6
1		1/4" SLEEVE WASHER	5
1		13/8" SLEEVE WASHER	
1	1711153	1/2" SLEEVE WASHER	
1	1711154	15/8" SLEEVE WASHER	
1	1711155	13/4" SLEEVE WASHER	4
1	1710303	1/4" GLAND	
1	1710304	13/8" GLAND	
1	1711049	1/2" GLAND	
1	1711050	15/8" GLAND	
1	1711051	13/4" GLAND	3
1	1711298	NUT, ADJUSTING	
1	1711416-1	RETAINER, STUFFING BOX	2
1	1711491-2	1/4" PLG'R x 2 1/8" BORE STUFFING BOX	1
1	1711491-2	13/8" PLG'R x 2 1/8" BORE STUFFING BOX	
1	1711492-2	1/2" PLG'R x 2 1/2" BORE STUFFING BOX	
1	1711492-2	15/8" PLG'R x 2 1/2" BORE STUFFING BOX	
1	1711492-2	13/4" PLG'R x 2 1/2" BORE STUFFING BOX	

LIST OF MATERIAL

100T- 4H PLUNGER KIT

QTY REQ'D	PART NO.	DESCRIPTION	ITEM NO.
1	6420460	15/8" 1045 UNIVERSAL PACKING	7
1	6420461	13/4" 1045 UNIVERSAL PACKING	6
1	2410031-335	SEAL STUFFING BOX	
1	1711154	15/8" SLEEVE WASHER	5
1	1711155	13/4" SLEEVE WASHER	
1	1711050	15/8" GLAND	4
1	1711051	13/4" GLAND	
1	1711298	NUT, ADJUSTING	3
1	1711416-1	RETAINER, STUFFING BOX	2
1	1711497-2	15/8" PLG'R x 2 1/2" BORE STUFFING BOX	1
1	1711497-2	13/4" PLG'R x 2 1/2" BORE STUFFING BOX	

LIST OF MATERIAL

100T- 4M PLUNGER KIT

5 USE ONLY WITH CERAMIC PLUNGER.

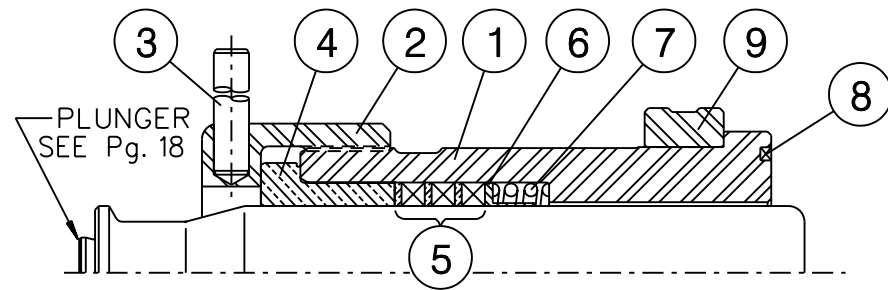
NOV NATIONAL OILWELL VARCO

TITLE ASSEMBLY, PLUNGER KIT
100T-4M/4H TRIPLEX PUMP

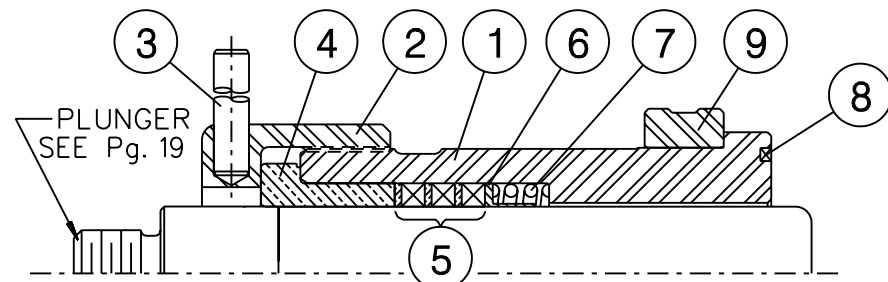
SIZE B REFERENCE No. DRAWING No. 1711885 REV

SCALE 1/4 EST WT SHEET 1 OF 1

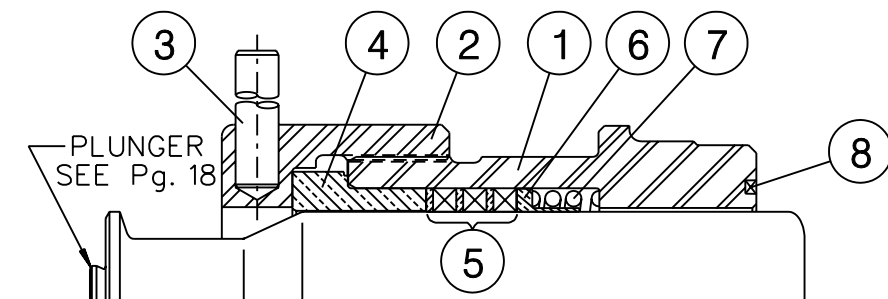
LTR	DESCRIPTION OF CHANGE	DATE	BY
A	REVISED BORE SIZE	6/9/04	RPQ



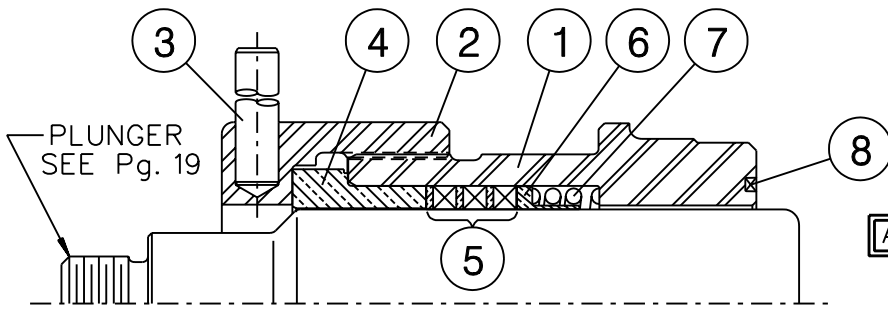
100T-4M (1 5/8" - 2 1/8") PLUNGER
PLUNGER KIT WITH CLAMPED PLUNGER



100T-4M (1 5/8" - 2 1/8") PLUNGER
PLUNGER KIT WITH THREADED PLUNGER



100T-4L (2 1/4" - 3 3/8" PLG'R)
PLUNGER KIT WITH CLAMPED PLUNGER



100T-4L (2 1/4" - 3 3/8" PLG'R)
PLUNGER KIT WITH THREADED PLUNGER

1	2410031-342	3" - 2 1/4" SEAL, STUFFING BOX	8
1	2410031-345	3 3/8" - 3 1/8" SEAL, STUFFING BOX	8
1	342-000	2 1/2" - 2 1/4" SPRING	7
1	342-270	2 5/8" SPRING	7
1	342-008	3" - 2 3/4" SPRING	7
1	342-268	3 3/8" - 3 1/8" SPRING	7
1	342-001	2 1/4" FOLLOWER	6
1	342-354	2 3/8" FOLLOWER	6
1	342-002	2 1/2" FOLLOWER	6
1	342-355	2 5/8" FOLLOWER	6
1	342-014	2 3/4" FOLLOWER	6
1	342-356	2 7/8" FOLLOWER	6
1	342-015	3" FOLLOWER	6
1	342-357	3 1/8" FOLLOWER	6
1	342-358	3 3/8" FOLLOWER	6
1	342-003	2 1/4" KEVLAR PACKING	5
1	342-752	2 3/8" KEVLAR PACKING	5
1	342-004	2 1/2" KEVLAR PACKING	5
1	342-753	2 5/8" KEVLAR PACKING	5
1	342-018	2 3/4" KEVLAR PACKING	5
1	342-754	2 7/8" KEVLAR PACKING	5
1	342-019	3" KEVLAR PACKING	5
1	342-755	3 1/8" KEVLAR PACKING	5
1	342-756	3 3/8" KEVLAR PACKING	5
1	342-005	2 1/4" GLAND	4
1	342-122	2 3/8" GLAND	4
1	342-006	2 1/2" GLAND	4
1	342-123	2 5/8" GLAND	4
1	342-022	2 3/4" GLAND	4
1	342-124	2 7/8" GLAND	4
1	342-023	3" GLAND	4
1	342-125	3 1/8" GLAND	4
1	342-126	3 3/8" GLAND	4
1	342-930	3 3/8" - 2 1/4" PIN LOCKING	3
1	342-916	2 5/8", 2 1/2", 2 3/8" & 2 1/4" NUT, ADJUSTING	2
1	342-928	3", 2 7/8", & 2 3/4" NUT, ADJUSTING	2
1	342-927	3 3/8" & 3 1/8" NUT, ADJUSTING	2
1	342-925	2 1/4" PLG'R x 3 1/4" BORE STUFFING BOX	1
1	342-925	2 3/8" PLG'R x 3 1/4" BORE STUFFING BOX	1
1	342-925	2 1/2" PLG'R x 3 1/4" BORE STUFFING BOX	1
1	342-949	2 5/8" PLG'R x 3 5/8" BORE STUFFING BOX	1
1	342-926	2 3/4" PLG'R x 3 3/4" BORE STUFFING BOX	1
1	342-926	2 7/8" PLG'R x 3 3/4" BORE STUFFING BOX	1
1	342-926	3" PLG'R x 3 3/4" BORE STUFFING BOX	1
1	342-950	3 1/8" PLG'R x 4 1/8" BORE STUFFING BOX	1
1	342-950	3 3/8" PLG'R x 4 1/8" BORE STUFFING BOX	1

QTY REQ'D	PART NO.	DESCRIPTION	ITEM NO.
LIST OF MATERIAL			
100T - 4L PLUNGER KIT			

QTY REQ'D	PART NO.	DESCRIPTION	ITEM NO.
1	L342-910	RETAINER, STUFFING BOX	9
1	2410031-334	2" - 1 5/8" SEAL, STUFFING BOX	8
1	2410031-342	2 1/8" SEAL, STUFFING BOX	8
1	L342-240	1 3/4" - 1 5/8" SPRING	7
1	L342-260	2 1/8" - 1 7/8" SPRING	7
1	L342-345	1 5/8" FOLLOWER	6
1	L342-346	1 3/4" FOLLOWER	6
1	L342-367	1 7/8" FOLLOWER	6
1	L342-368	2" FOLLOWER	6
1	342-353	2 1/8" FOLLOWER	6
1	L342-745	1 5/8" KEVLAR PACKING	5
1	L342-746	1 3/4" KEVLAR PACKING	5
1	L342-767	1 7/8" KEVLAR PACKING	5
1	342-768	2" KEVLAR PACKING	5
1	342-751	2 1/8" KEVLAR PACKING	5
1	L342-545	1 5/8" GLAND	4
1	L342-546	1 3/4" GLAND	4
1	L342-167	1 7/8" GLAND	4
1	L342-168	2" GLAND	4
1	342-121	2 1/8" GLAND	4
1	342-914	PIN, LOCKING	3
1	L342-913	NUT, ADJUSTING	2
1	342-919	1 5/8" PLG'R x 2 1/2" BORE STUFFING BOX	1
1	342-919	1 3/4" PLG'R x 2 1/2" BORE STUFFING BOX	1
1	L342-908	1 7/8" PLG'R x 2 3/4" BORE STUFFING BOX	1
1	L342-908	2" PLG'R x 2 3/4" BORE STUFFING BOX	1
1	342-948	2 1/8" PLG'R x 2 7/8" BORE STUFFING BOX	1

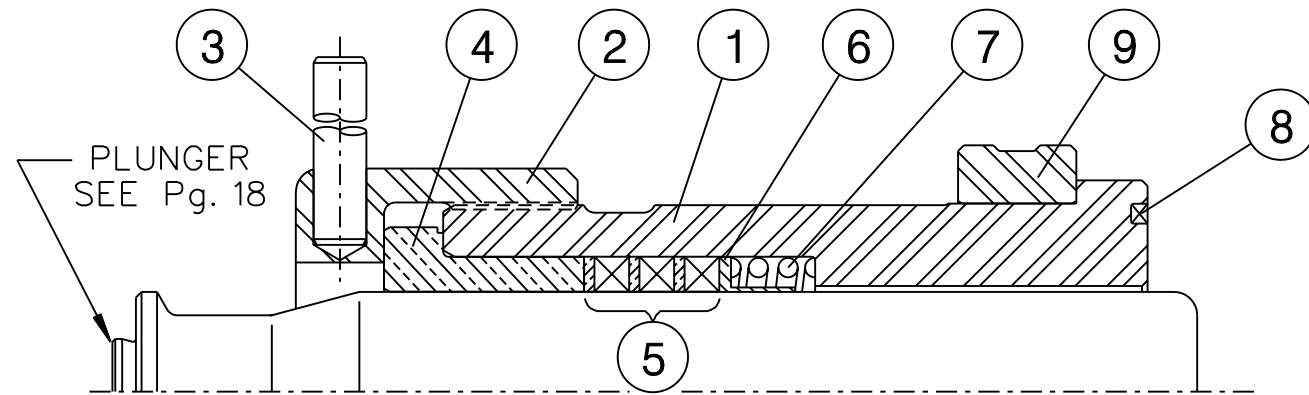
LIST OF MATERIAL

100T - 4M PLUNGER KIT

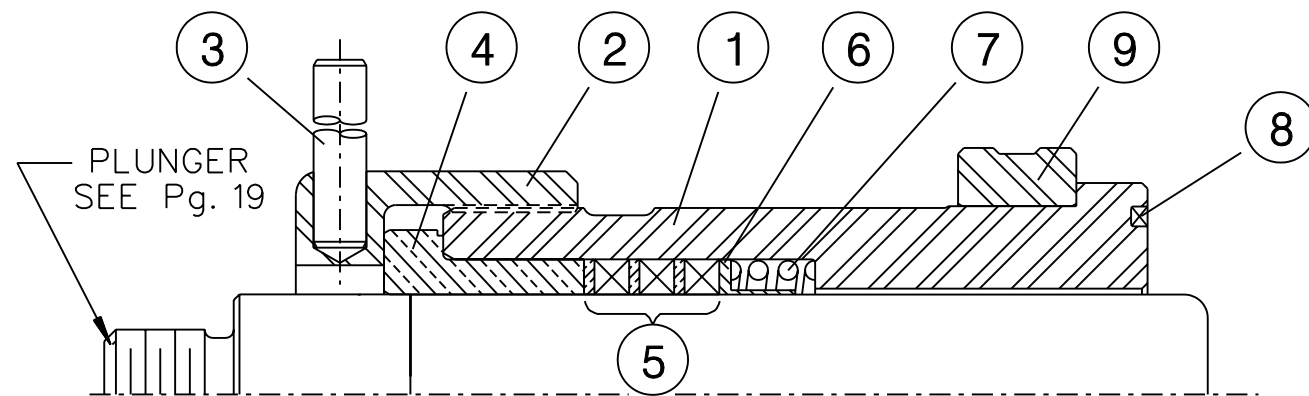
NOV NATIONAL OILWELL VARCO

TITLE ASSEMBLY, SS PLUNGER KITS WITH KEVLAR PACKING
100T-4L/4M TRIPLEX PUMP

SIZE B	REFERENCE No.	DRAWING No. 1711886	REV A
SCALE NONE	EST WT	SHEET 1 OF 1	



100T-4H PLUNGER KIT
WITH CLAMPED PLUNGER



100T-4H PLUNGER KIT
WITH THREADED PLUNGER

1	L342-903	1 ³ / ₈ " - 1 ¹ / ₄ " RETAINER, STUFFING BOX	9
1	L342-910	1 ³ / ₄ " - 1 ¹ / ₂ " RETAINER, STUFFING BOX	8
1	2410031-334	SEAL, STUFFING BOX	7
1	L342-210	1 ³ / ₈ " - 1 ¹ / ₄ " SPRING	6
1	L342-240	1 ³ / ₄ " - 1 ¹ / ₂ " SPRING	5
1	L342-312	1 ¹ / ₄ " FOLLOWER	4
1	L342-313	1 ³ / ₈ " FOLLOWER	3
1	L342-344	1 ¹ / ₂ " FOLLOWER	2
1	L342-345	1 ⁵ / ₈ " FOLLOWER	1
1	L342-346	1 ³ / ₄ " FOLLOWER	
1	L342-712	1 ¹ / ₄ " KEVLAR PACKING	
1	L342-713	1 ³ / ₈ " KEVLAR PACKING	
1	L342-744	1 ¹ / ₂ " KEVLAR PACKING	
1	L342-745	1 ⁵ / ₈ " KEVLAR PACKING	
1	L342-746	1 ³ / ₄ " KEVLAR PACKING	
1	L342-112	1 ¹ / ₄ " GLAND	
1	L342-113	1 ³ / ₈ " GLAND	
1	L342-544	1 ¹ / ₂ " GLAND	
1	L342-545	1 ⁵ / ₈ " GLAND	
1	L342-546	1 ³ / ₄ " GLAND	
1	342-914	PIN, LOCKING	
1	L342-912	1 ³ / ₈ " - 1 ¹ / ₄ " NUT, ADJUSTING	
1	L342-913	1 ³ / ₄ " - 1 ¹ / ₂ " NUT, ADJUSTING	
1	L342-904	1 ¹ / ₄ " PLG'R x 2 ¹ / ₈ " BORE STUFFING BOX	
1	L342-904	1 ³ / ₈ " PLG'R x 2 ¹ / ₈ " BORE STUFFING BOX	
1	342-919	1 ¹ / ₂ " PLG'R x 2 ¹ / ₂ " BORE STUFFING BOX	
1	342-919	1 ⁵ / ₈ " PLG'R x 2 ¹ / ₂ " BORE STUFFING BOX	
1	342-919	1 ³ / ₄ " PLG'R x 2 ¹ / ₂ " BORE STUFFING BOX	
QTY REQ'D	PART NO.	DESCRIPTION	ITEM NO.

LIST OF MATERIAL

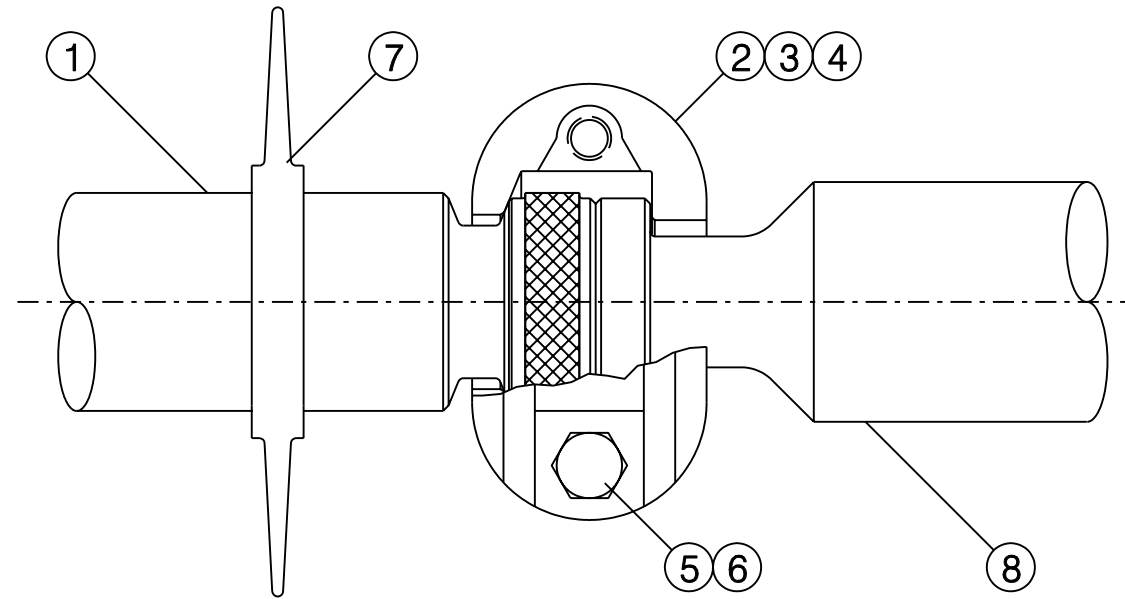
100T - 4H PLUNGER KIT

NOV NATIONAL OILWELL VARCO

TITLE ASSEMBLY, SS PLUNGER KITS
WITH KEVLAR PACKING
100T-4H TRIPLEX PUMP

SIZE B REFERENCE No. DRAWING No. 1711887 REV

SCALE NONE EST WT SHEET 1 OF 1



STRAIGHT / TAPER CLAMP

BILL OF MATERIAL		
ITEM	PART No.	DESCRIPTION
1	340-018	INTERMEDIATED ROD STAINLESS
2	1716037	CLAMP, COMPLETE
3	1716035	BOLT HALF
4	1716036	THREAD HALF
5	700031211	SCREW, H.H. CAP
6	7616050	WASHER, SPRING LOCK
7	1711018	BAFFLE, INTERMEDIATE

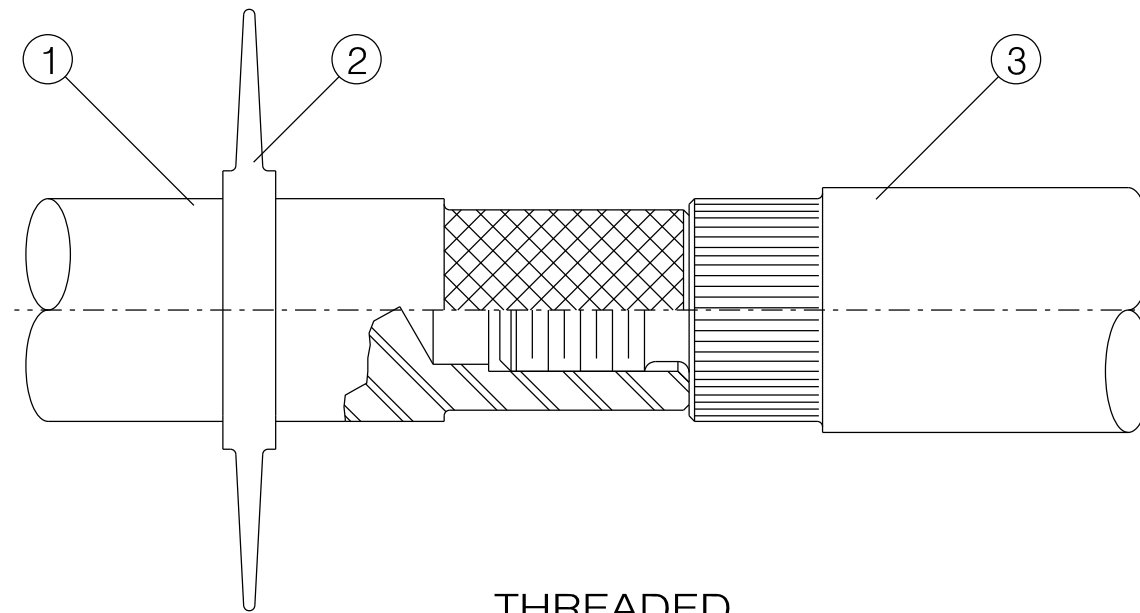
PLUNGERS FOR STRAIGHT /TAPER CLAMPS			
100T-4L			
ITEM	*PART No.*	PART No.	DESCRIPTION
8	1711520	340-131	3 ³ / ₈ " CARBIDE PLUNGER
		340-274	3 ¹ / ₄ " CARBIDE PLUNGER
	1711519	340-143	3 ¹ / ₈ " CARBIDE PLUNGER
		340-017	3" CARBIDE PLUNGER
	1711518	340-142	2 ⁷ / ₈ " CARBIDE PLUNGER
		340-016	2 ³ / ₄ " CARBIDE PLUNGER
	1711517	340-141	2 ⁵ / ₈ " CARBIDE PLUNGER
		340-015	2 ¹ / ₂ " CARBIDE PLUNGER
	1711516	340-140	2 ³ / ₈ " CARBIDE PLUNGER
		340-014	2 ¹ / ₄ " CARBIDE PLUNGER
100T-4M			
	1711515	340-139	2 ¹ / ₈ " CARBIDE PLUNGER
	1711514	340-138	2" CARBIDE PLUNGER
	1711513	340-137	1 ⁷ / ₈ " CARBIDE PLUNGER
	1711512	340-136	1 ³ / ₄ " CARBIDE PLUNGER
	1711511	L340-135	1 ⁵ / ₈ " CARBIDE PLUNGER
100T-4H			
	1711512	340-136	1 ³ / ₄ " CARBIDE PLUNGER
	1711511	L340-135	1 ⁵ / ₈ " CARBIDE PLUNGER
	1711510	340-134	1 ¹ / ₂ " CARBIDE PLUNGER
	1711509	340-133	1 ³ / ₈ " CARBIDE PLUNGER
	1711508	340-132	1 ¹ / ₄ " CARBIDE PLUNGER

PLUNGERS FOR STRAIGHT /TAPER CLAMPS				
100T-4L				
ITEM	PART No.	DESCRIPTION		
8	1711490	3 ³ / ₈ " CERAMIC PLUNGER		
	1711462	3 ¹ / ₄ " CERAMIC PLUNGER		
	1711489	3 ¹ / ₈ " CERAMIC PLUNGER		
	1711466	3" CERAMIC PLUNGER		
	1711488	2 ⁷ / ₈ " CERAMIC PLUNGER		
	1711465	2 ³ / ₄ " CERAMIC PLUNGER		
	1711487	2 ⁵ / ₈ " CERAMIC PLUNGER		
	1711464	2 ¹ / ₂ " CERAMIC PLUNGER		
	1711486	2 ³ / ₈ " CERAMIC PLUNGER		
	1711463	2 ¹ / ₄ " CERAMIC PLUNGER		
	100T-4M			
		1711485	2 ¹ / ₈ " CERAMIC PLUNGER	
		1711484	2" CERAMIC PLUNGER	
	1711483	1 ⁷ / ₈ " CERAMIC PLUNGER		
	1711482	1 ³ / ₄ " CERAMIC PLUNGER		
	1711481	1 ⁵ / ₈ " CERAMIC PLUNGER		
100T-4H				
	1711482	1 ³ / ₄ " CERAMIC PLUNGER		
	1711481	1 ⁵ / ₈ " CERAMIC PLUNGER		
	1711480	1 ¹ / ₂ " CERAMIC PLUNGER		
		1 ³ / ₈ " CERAMIC PLUNGER		
		1 ¹ / ₄ " CERAMIC PLUNGER		

*LISTED PART NUMBERS WERE PREVIOUSLY HARD COAT PLUNGERS.

NOV NATIONAL OILWELL VARCO			
TITLE PLUNGER/INTERMEDIATE ROD ASSY. STRAIGHT / TAPER CLAMP 100T-4 PLUNGER PUMP			
SIZE B	REFERENCE No.	DRAWING No. 1711888	REV
SCALE NONE	EST WT	SHEET 1 OF 1	

LTR	DESCRIPTION OF CHANGE	MADE	CHKD	DATE	APPROVED
A	CORRECTED PN'S	RPG	RPG	12.8.08	GRL



THREADED

BILL OF MATERIAL		
ITEM	PART No.	DESCRIPTION
1	340-022	INTERMEDIATED ROD STAINLESS
2	1711018	BAFFLE, INTERMEDIATE ROD

A

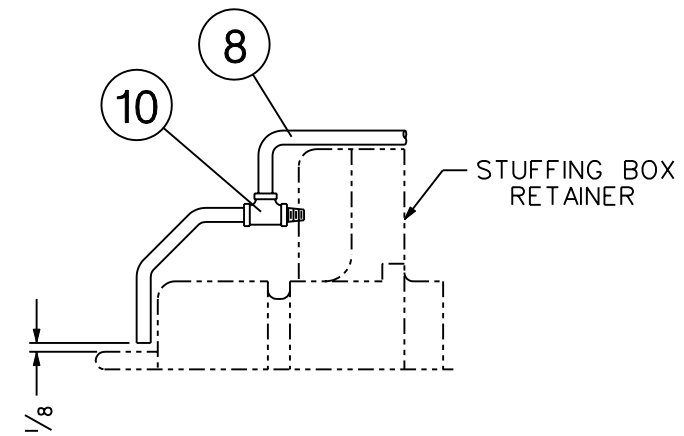
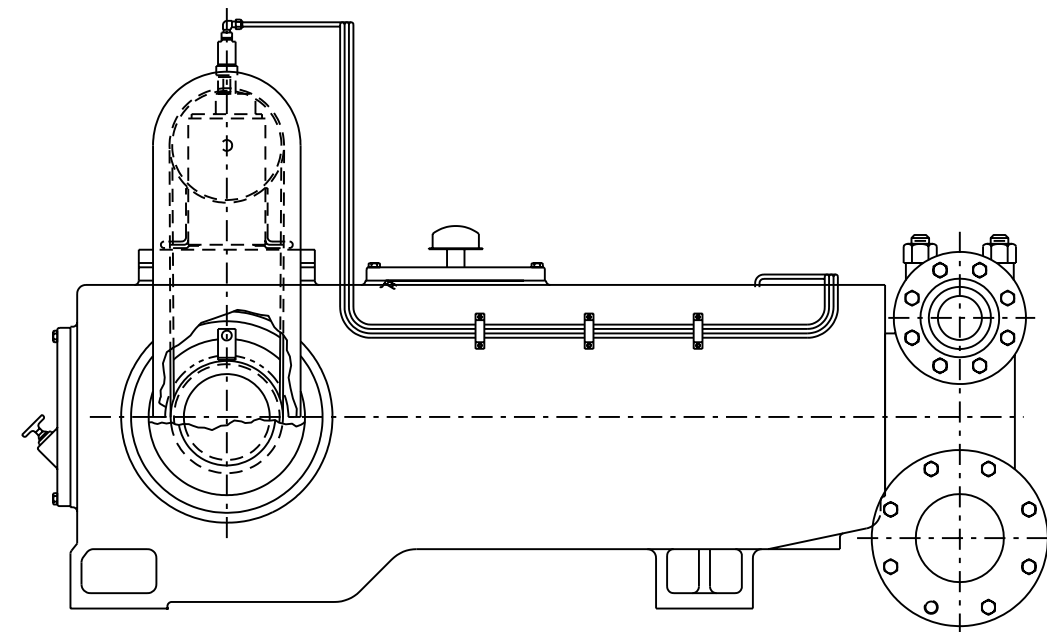
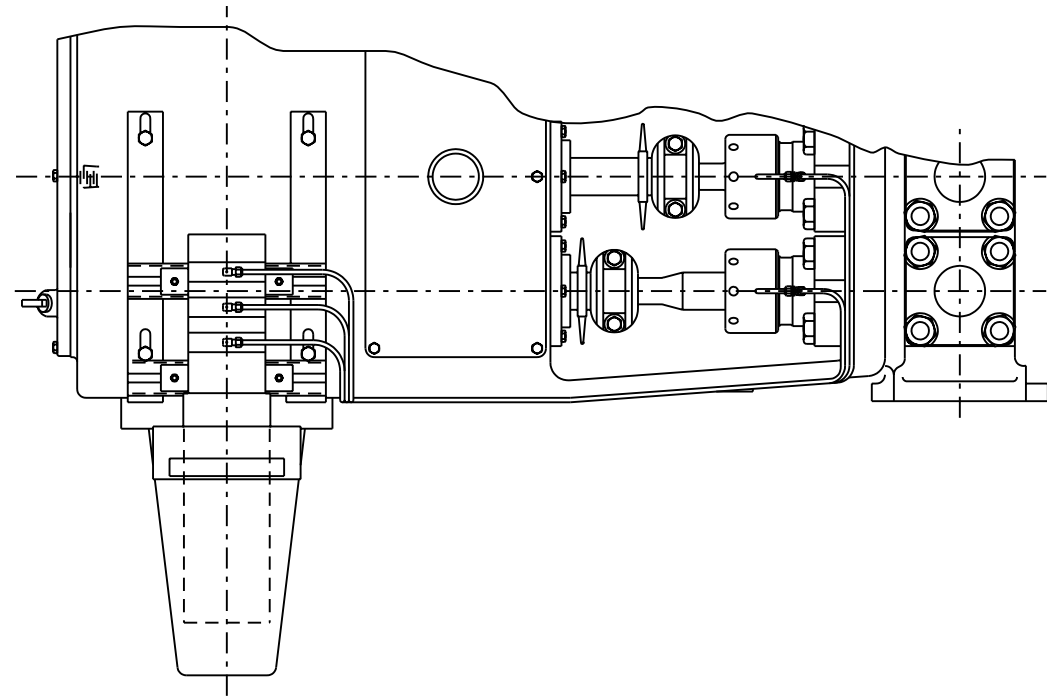
THREADED PLUNGERS				
100T-4L				
ITEM	*PART No.*	PART No.	DESCRIPTION	
3	1711088	340-311	3 3/8" CARBIDE PLUNGER	
	1711462		3 1/4" CARBIDE PLUNGER	
	1711087	340-310	3 1/8" CARBIDE PLUNGER	
	1711466	340-309	3" CARBIDE PLUNGER	
	1711086	340-308	2 7/8" CARBIDE PLUNGER	
	1711465	340-307	2 3/4" CARBIDE PLUNGER	
	1711085	340-306	2 5/8" CARBIDE PLUNGER	
	1711464	340-182	2 1/2" CARBIDE PLUNGER	
	1711084	340-181	2 3/8" CARBIDE PLUNGER	
	1711463	340-180	2 1/4" CARBIDE PLUNGER	
	100T-4M			
		1711048	340-179	2 1/8" CARBIDE PLUNGER
		1711047	340-178	2" CARBIDE PLUNGER
	1711046	L340-177	1 7/8" CARBIDE PLUNGER	
	1711045	L340-176	1 3/4" CARBIDE PLUNGER	
	1711044	340-175	1 5/8" CARBIDE PLUNGER	
100T-4H				
	1711045	L340-176	1 3/4" CARBIDE PLUNGER	
	1711044	340-175	1 5/8" CARBIDE PLUNGER	
	1711043	340-174	1 1/2" CARBIDE PLUNGER	
	1711342	340-173	1 3/8" CARBIDE PLUNGER	
	1711341	L340-172	1 1/4" CARBIDE PLUNGER	

A

THREADED PLUNGERS		
100T-4L		
ITEM	PART No.	DESCRIPTION
3	1711082	3 3/8" CERAMIC PLUNGER
	1711148	3 1/4" CERAMIC PLUNGER
	1711081	3 1/8" CERAMIC PLUNGER
	1711147	3" CERAMIC PLUNGER
	1711080	2 7/8" CERAMIC PLUNGER
	1711146	2 3/4" CERAMIC PLUNGER
	1711079	2 5/8" CERAMIC PLUNGER
	1711145	2 1/2" CERAMIC PLUNGER
	1711078	2 3/8" CERAMIC PLUNGER
	1711144	2 1/4" CERAMIC PLUNGER
	100T-4M	
	1711042	2 1/8" CERAMIC PLUNGER
	1711041	2" CERAMIC PLUNGER
	1711040	1 7/8" CERAMIC PLUNGER
	1711039	1 3/4" CERAMIC PLUNGER
	1711038	1 5/8" CERAMIC PLUNGER
100T-4H		
	1711039	1 3/4" CERAMIC PLUNGER
	1711038	1 5/8" CERAMIC PLUNGER
	1711037	1 1/2" CERAMIC PLUNGER
		1 3/8" CERAMIC PLUNGER
		1 1/4" CERAMIC PLUNGER

*LISTED PART NUMBERS WERE PREVIOUSLY HARD COAT PLUNGERS.

NOV NATIONAL OILWELL VARCO			
TITLE PLUNGER/INTERMEDIATE ROD ASSY. THREADED PLUNGER 100T-4 PLUNGER PUMP			
SIZE B	REFERENCE No.	DRAWING No. 1711889	REV A
SCALE NONE	EST WT	SHEET 1 OF 1	



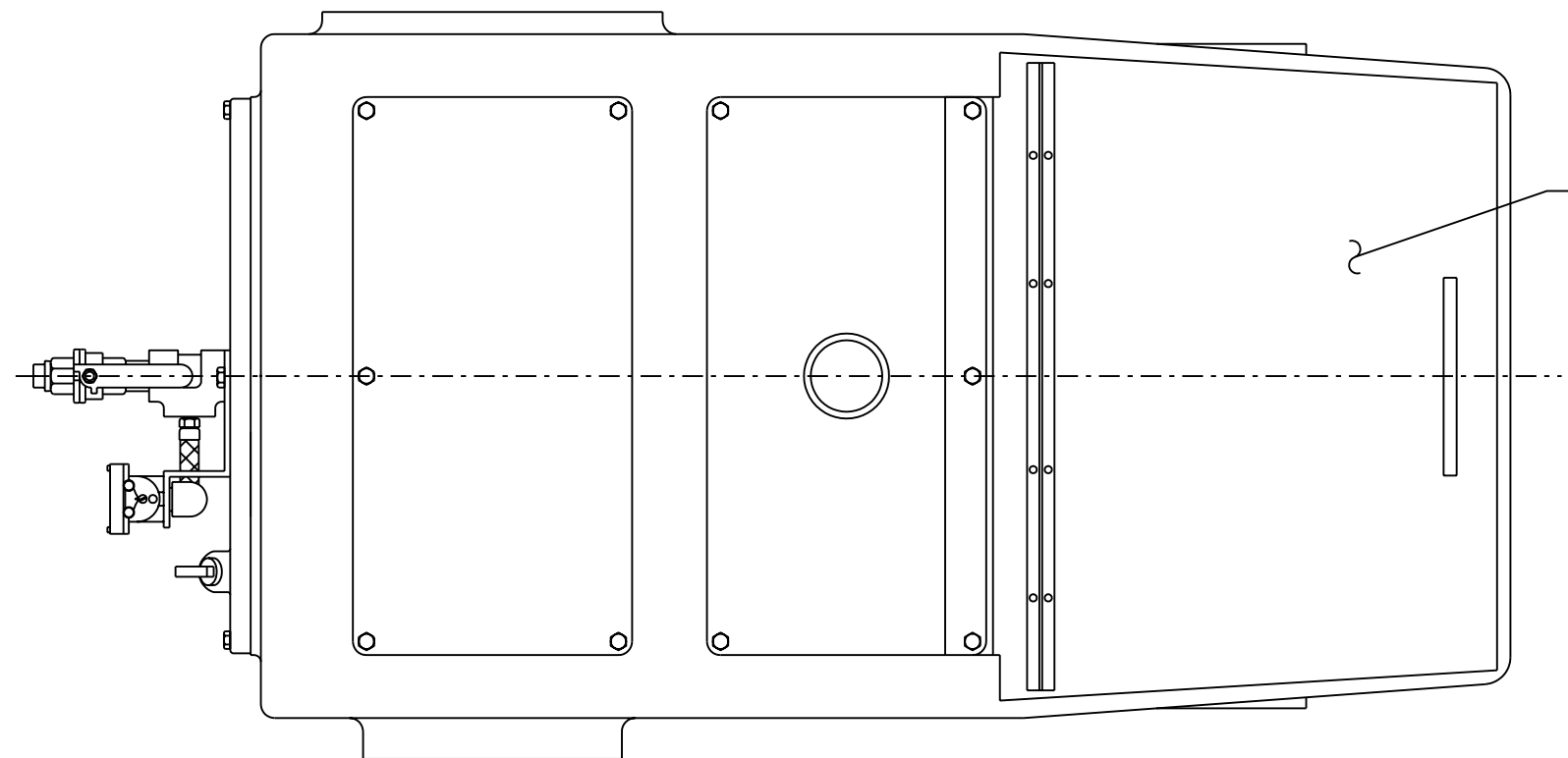
DETAIL OF DRIP LUBE PIPING
SCALE : NONE

1	1790074	1790074	BRACKET, LUBRICATOR GUARD - BOTTOM	18
1	1790051	1790051	BRACKET, LUBRICATOR GUARD - TOP	17
4	6300070	6300070	NUT, HEX 7/16"	16
20	7600028	7600028	WASHER, 7/16" N TYPE A .922 O.D.	15
4	7000258-11	7000258-11	SCREW, HEX HEAD CAP 7/16 x 1/2" LG.	14
4	7000210-11	7000210-11	SCREW, HEX HEAD CAP 3/8 x 1/2" LG.	13
6	7168073	7168073	SCREW, HEX HEAD #8-32 x 1/4" TYPE F SELF TAPPING	12
3	7802200	7802200	CLIP, MULTI-LINE TUBING	11
3	25854704		TEE, 1/4" TUBE x 1/4" TUBE x 1/4" N.P.T. - S.S.	10
		G7819165	TEE, 1/4" TUBE x 1/4" TUBE x 1/4" N.P.T.	
3	64226988		ELBOW, 90° x 1/4" TUBE x 1/8" N.P.T. - S.S.	9
		7804080	ELBOW, 90° x 1/4" TUBE x 1/8" N.P.T.	
25 FT	64699402		TUBING, STAINLESS STEEL 1/4" O.D. x .035 WALL	8
		7400420	TUBING, COPPER 1/4" O.D. x .032 WALL	
1	7811072	7811072	LUBRICATOR, 3 FEED (LH)	7
	7811071	7811071	LUBRICATOR, 3 FEED (RH)	
1	4712480	4712480	BELT, V - 2480	6
1	1711021	1711021	SHEAVE, DRIVER 5.25" PD	5
1	7200020	7200020	SHEAVE, LUBRICATOR 6.2" PD	4
1	1711129	1711129	COVER, CRANKSHAFT EXTENSION	3
1	1710125	1710125	GUARD, LUBRICATOR BELT (INCL. ITEMS 17 & 18)	2
1	1711315	1711315	BRACKET, LUBRICATOR	1
QTY REQ'D	PART No.		DESCRIPTION / MATERIAL / SPECIFICATION	ITEM NO.
	LUBRICATOR ASSY. COMPLETE WITH STAINLESS STEEL LINES P/N 1711222RS	LUBRICATOR ASSY. COMPLETE WITH COPPER LINES P/N 1711222		
LIST OF MATERIAL				

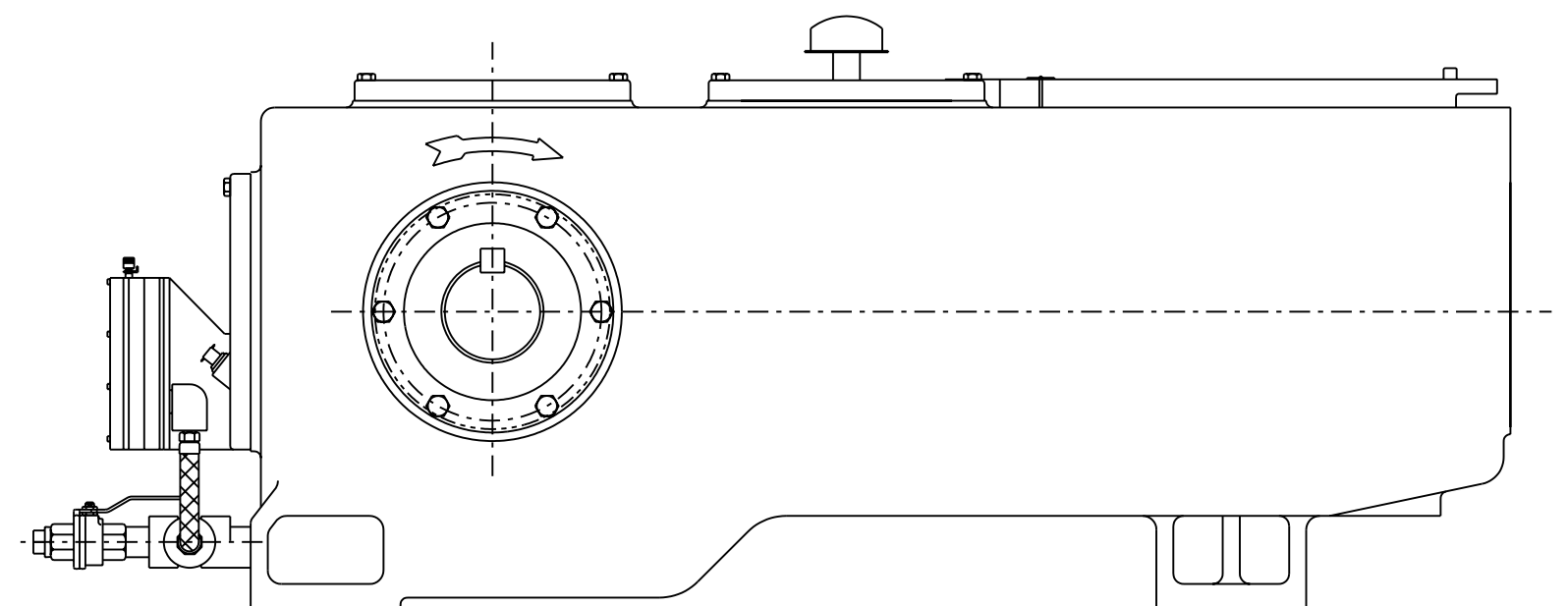
NOTE:

R.H. LUBRICATOR SHOWN
L.H. OPPOSITE

NOV NATIONAL OILWELL VARCO			
TITLE LUBRICATOR ASSEMBLY PIPING 3-FEED LUBRICATOR (R.H. OR L.H.) 100T-4 TRIPLEX PLUNGER PUMP			
SIZE	REFERENCE No.	DRAWING No.	REV
D		1711890	
SCALE	EST WT	SHEET 1 OF 1	
NONE			

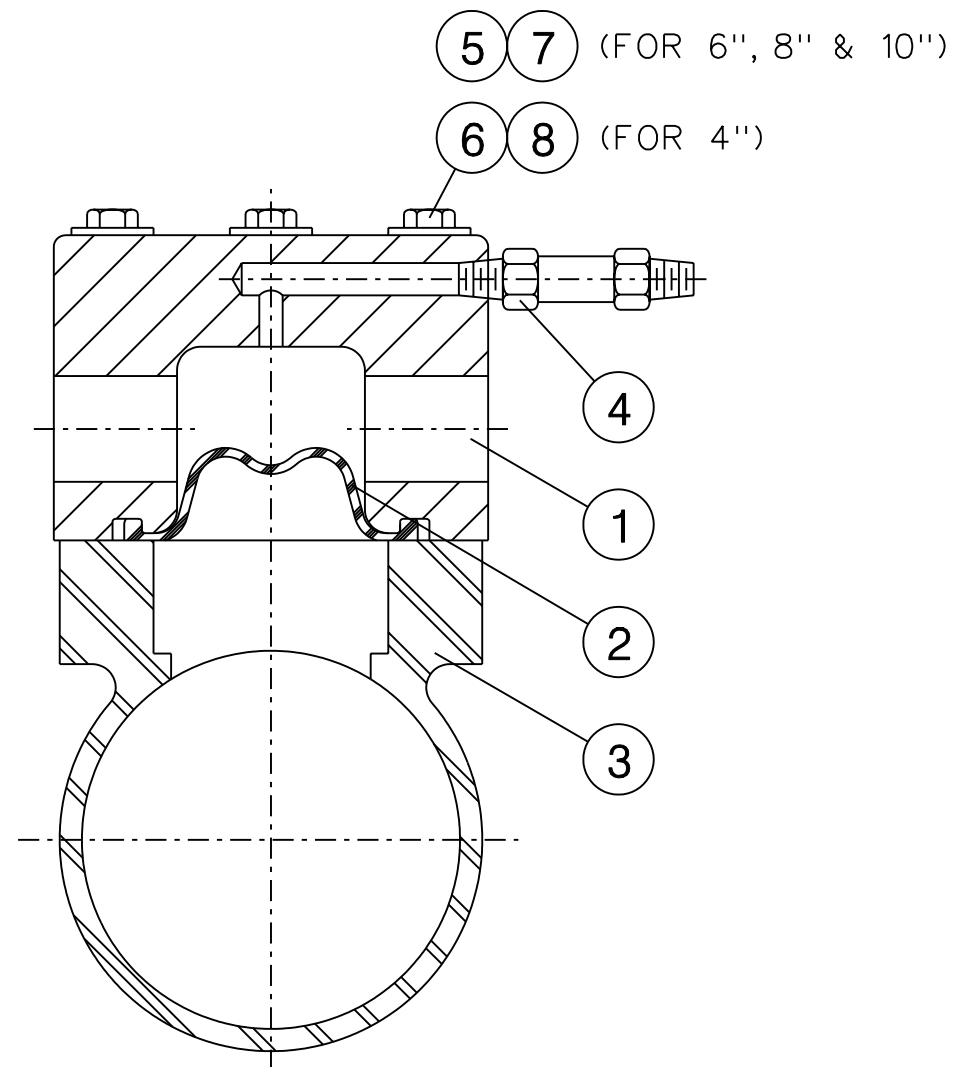


PLUNGER CHAMBER COVER
P/N 1711344 (14 GA. STL.)



OIL LEVEL SWITCH ASSY.
(TYPICAL ARRANGEMENT)
MURPHY L-129 SHOWN
SWITCH MODEL, LOCATION & PIPING ARRANGEMENT
WILL VARY DEPENDING ON APPLICATION

NOV NATIONAL OILWELL VARCO			
TITLE OPTIONAL ACCESSORIES 100T-4 TRIPLEX PLUNGER PUMP			
SIZE B	REFERENCE No.	DRAWING No. 1711891	REV
SCALE NONE	EST WT	SHEET 1 OF 1	



*

14	7600020	WASHER, 5/16" (FOR 4")	14
18	7600020	WASHER, 5/16" (FOR 6", 8" & 10")	13
14	7000157-11	CAPSCREW, 5/16-18 x 1" LG. (FOR 4")	12
18	7000158-11	CAPSCREW, 5/16-18 x 1 1/4" LG. (FOR 6", 8" & 10")	11
1	1712218	GASKET, BLANKING PLATE (FOR 6", 8" & 10")	10
1	6000004	GASKET, BLANKING PLATE (FOR 4")	
1	1712217	PLATE, BLANKING (FOR 6", 8" & 10")	9
1	X17-1569	PLATE, BLANKING (FOR 4")	
14	7600020	WASHER, 5/16" (FOR 4")	8
18	7600020	WASHER, 5/16" (FOR 6", 8" & 10")	7
14	7000168-11	CAPSCREW, 5/16-18 x 3 3/4" LG. (FOR 4")	6
18	7000169-11	CAPSCREW, 5/16-18 x 4" LG. (FOR 6", 8" & 10")	5
1	7500021	CHECK VALVE, 1/8" (FOR 4", 6", 8" & 10")	4
1	1713201	10" PIPE BODY	3
1	1712501	8" PIPE BODY	
1	1712251	6" PIPE BODY	
1	1712250	4" PIPE BODY	2
1	1712327	10" DIAPHRAGM	
1	1712327	8" DIAPHRAGM	
1	1712327	6" DIAPHRAGM	
1	1712262	4" DIAPHRAGM	1
1	1712329	10" DAMPENER	
1	1712329	8" DAMPENER	
1	1712329	6" DAMPENER	
1	1712290	4" DAMPENER	
	1713200	DAMPENER COMPLETE - 10" (29" LG.)	
	1712502	DAMPENER COMPLETE - 8" (29" LG.)	
	1712253	DAMPENER COMPLETE - 6" (28" LG.)	
	1712252	DAMPENER COMPLETE - 4" (25 1/2" LG.)	
QTY REQ'D	PART NO.	DESCRIPTION	ITEM NO.
LIST OF MATERIAL			

22

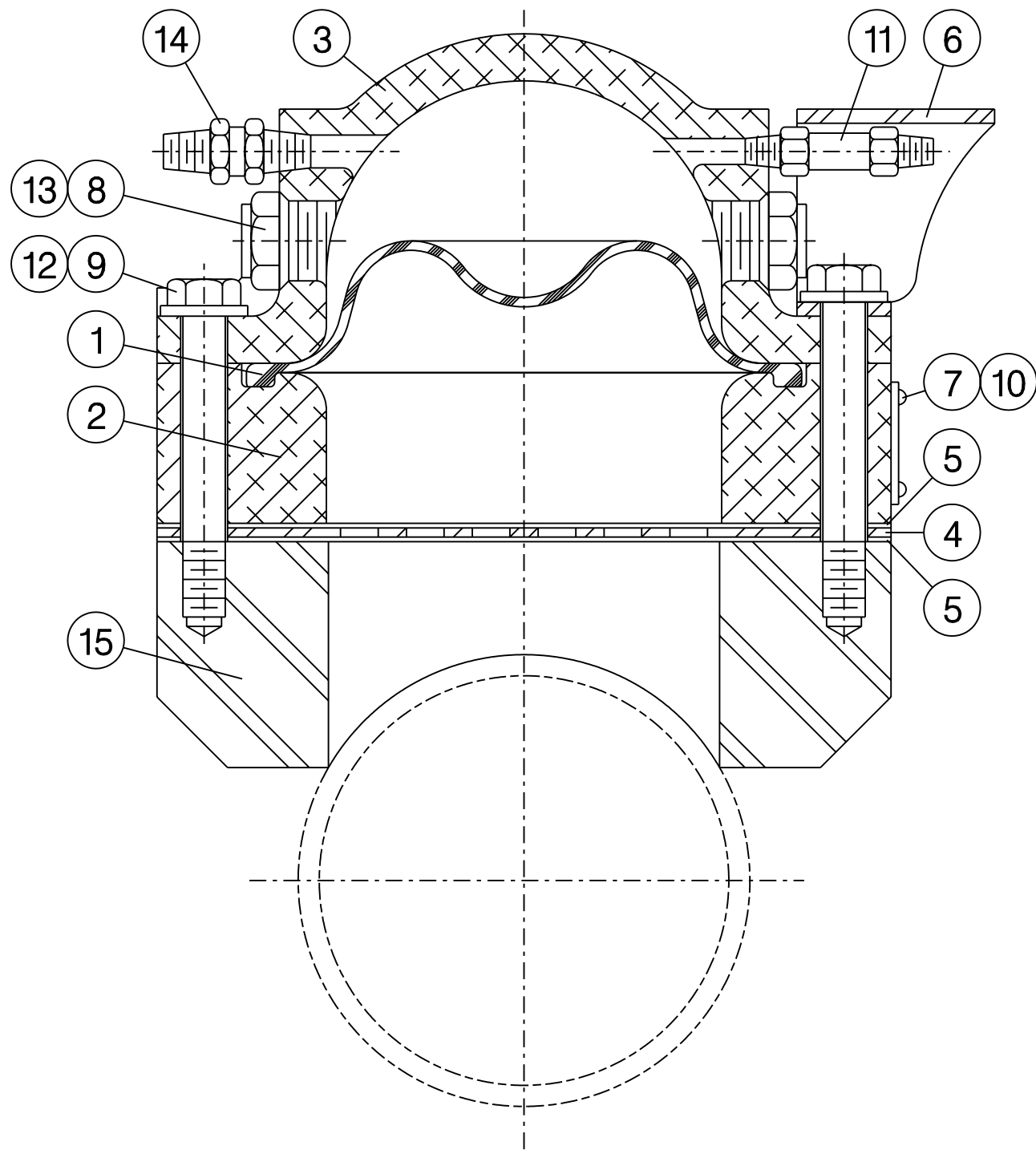
* L/M FOR BLANKING PLATE ASSEMBLY
ITEMS #9 THRU #14 ARE NOT SHOWN

NOV NATIONAL OILWELL VARCO

TITLE LOW PRESSURE PLASTIC BODY
IN-LINE SUCTION DAMPENER (WELD-ON)
PLUNGER PUMPS

SIZE B	REFERENCE No.	DRAWING No. 1711892	REV
-----------	---------------	------------------------	-----

SCALE NONE	EST WT	SHEET 1 OF 1
---------------	--------	-----------------



*

1	1292234	PLATE, MOUNTING (FOR 12")	15
1	1290209	PLATE, MOUNTING (FOR 10")	
1	1290211	PLATE, MOUNTING (FOR 8")	
1	1291271	PLATE, MOUNTING (FOR 6")	
1	7500396	VALVE, RELIEF 1/4" NPT #559B-2M-70	14
1	7815106	PLUG, SIGHT TEDECO #W-54	13
32	7600036	WASHER, 9/16 N TYPE "A" 1.159 O.D.	12
1	7500021	VALVE, CHECK - DILL #02500-100AA-643VC	11
8	7178025	DRIVESCREW, #2 x 1/4" LG. ROUND HD.	10
32	7000361-11	CAPSCREW, 9/16-12UNC x 4" LG. HEX HD.	9
2	2410031-024	PACKING, SIGHT PLUG	8
1	2407136	PLATE, INSTRUCTION	7
1	1290228	GUARD, AIR VALVE	6
2	1290199	GASKET	5
1	1290198	RETAINER	4
1	1290197	COVER	3
1	1290196	SPACER	2
1	1290195	DIAPHRAGM	1
	1292233	DAMPENER COMPLETE - 12" (34 1/2" LG.)	
	1290208	DAMPENER COMPLETE - 10" (34 1/2" LG.)	
	1290210	DAMPENER COMPLETE - 8" (34 1/2" LG.)	
	1291270	DAMPENER COMPLETE - 6" (34 1/2" LG.)	
QTY REQ'D	PART NO.	DESCRIPTION	ITEM NO.

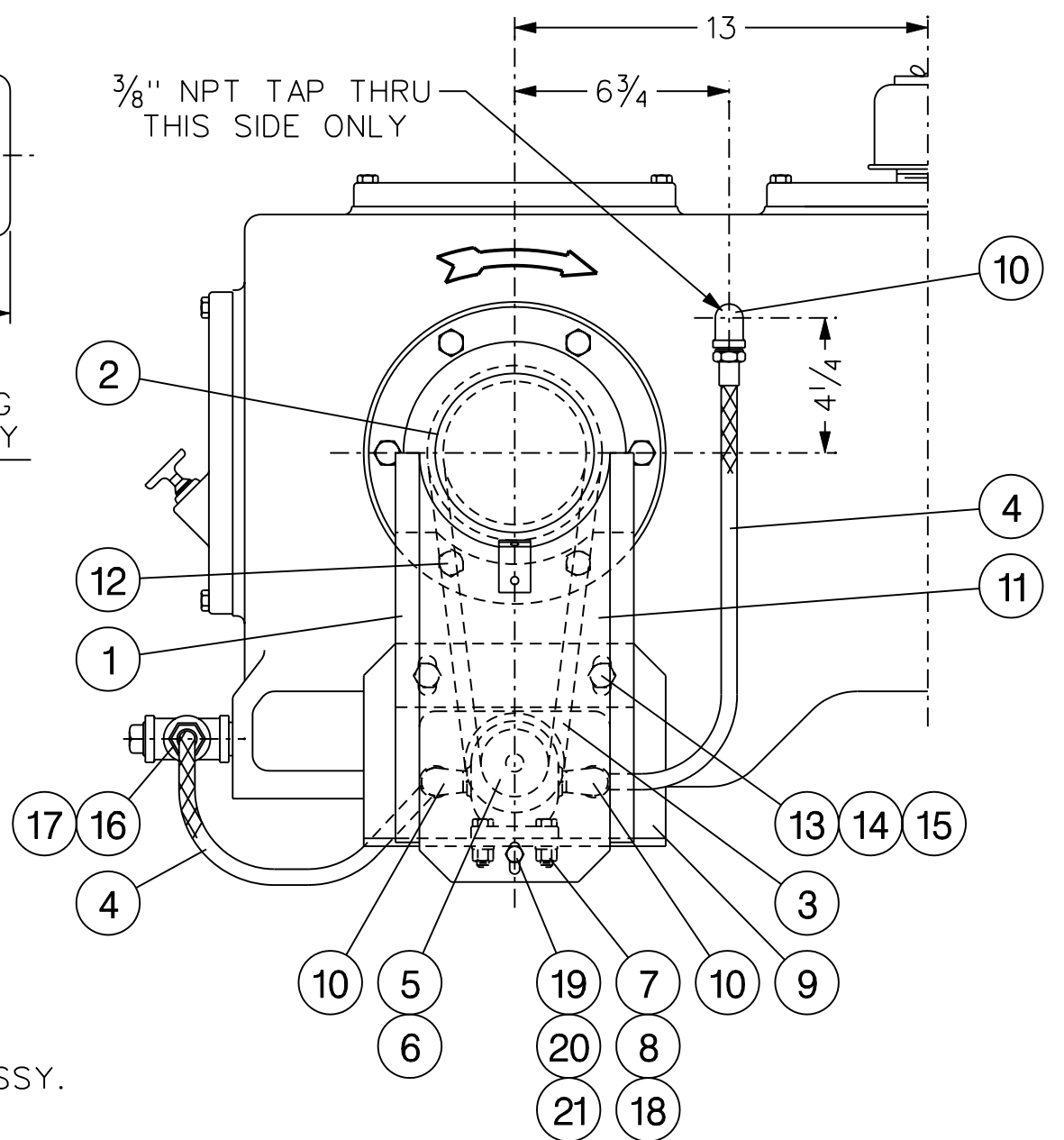
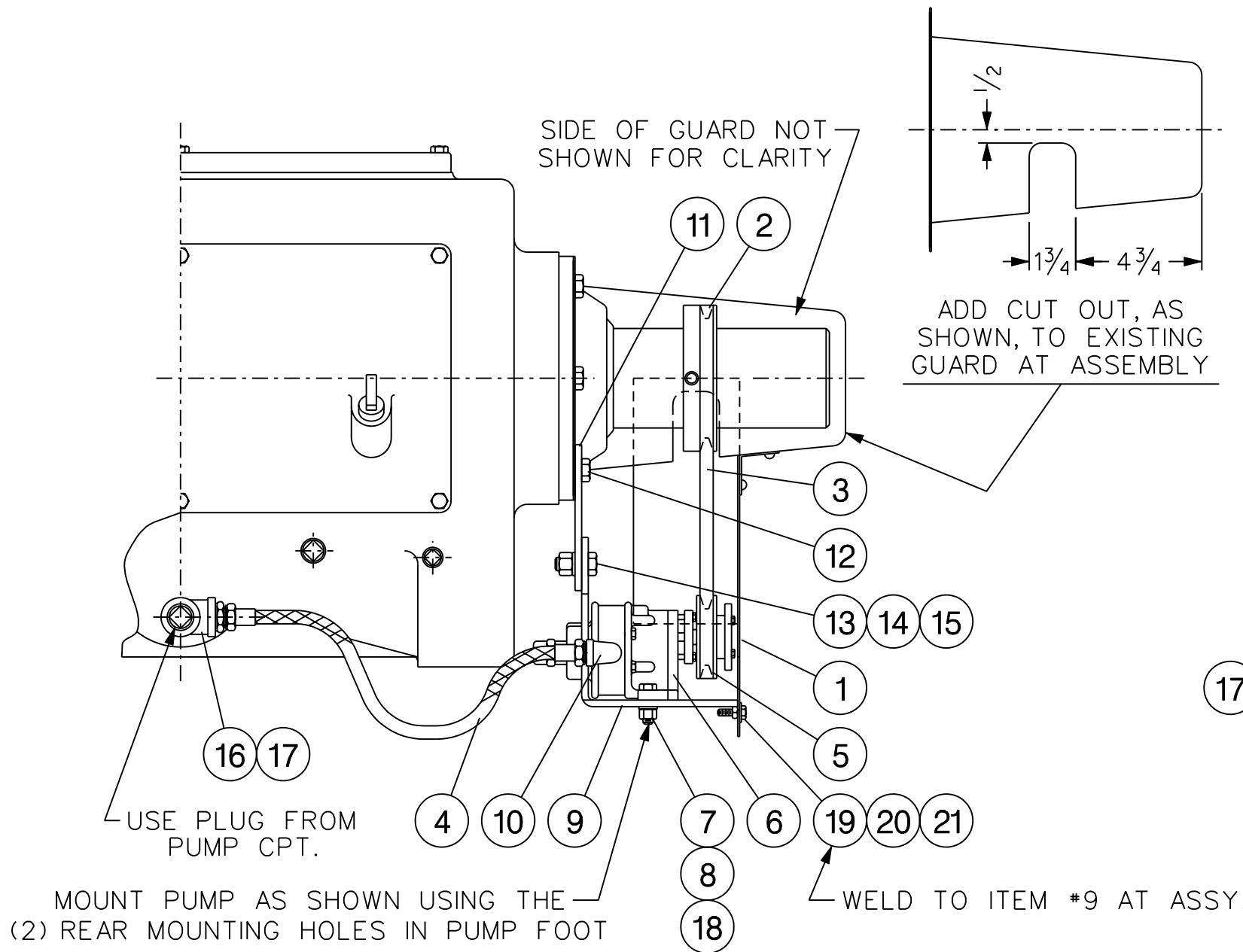
LIST OF MATERIAL

* FOR 6", 8", 10" & 12" DIA. DAMPENERS

NOV NATIONAL OILWELL VARCO

TITLE HIGH PRESSURE ALUMINUM BODY
IN-LINE SUCTION DAMPENER (WELD-ON)
PLUNGER PUMPS

SIZE B	REFERENCE No.	DRAWING No. 1711893	REV
SCALE NONE	EST WT	SHEET 1 OF 1	



QTY.	PART NO.	DESCRIPTION	ITEM No.	QTY.	PART NO.	DESCRIPTION	ITEM No.
1	7000108-11	CAPSCREW, 1/4-20 x 1" LG. HEX HEAD	21	1	X17-2623	PLATE, AUX. DRIVE	11
1	7600016	WASHER, 1/4" N - TYPE "A"	20	3	6829003	ELBOW, 3/8" NPT x 90°	10
1	6300040	NUT, 1/4-20 HEX	19	1	1709285	BRACKET, LUBE PUMP	9
2	7602041	WASHER, 3/8" SPRING	18	2	7000209-11	CAPSCREW, 3/8-16 x 1 1/4" LG. HEX HEAD	8
1	6800082	BUSHING, 1" NPT (M) x 3/8" NPT (F)	17	2	6300060	NUT, 3/8-16 HEX	7
1	6890008	TEE, 1" NPT	16	1	7815070	LUBE PUMP, #1 B&S MODEL 713-1-1	6
2	7602050	WASHER, 1/2" SPRING	15	1	7200004	SHEEVE, 3 1/2" O.D. x 9/16" DIA. BORE	5
2	6300080	NUT, 1/2-13 HEX	14	2	1712304	HOSE, 3/8" NPT x 20" LG.	4
2	7000304-11	CAPSCREW, 1/2-13 x 1 1/4" LG. HEX HEAD	13	1	4701031	BELT, A-31-1A "V" GROOVE	3
2	2400051	CAPSCREW, 1/2-13 x 1 3/4" LG. HEX HEAD	12	1	1711021	SHEEVE, 5" P.D. "A"	2
				1	X17-2624	GUARD, LUBE PUMP	1

LIST OF MATERIAL

NOV NATIONAL OILWELL VARCO

TITLE
AUX. LUBE SYSTEM - SLOW SPEED
100T-4 TRIPLEX PLUNGER PUMP

SIZE B	REFERENCE No.	DRAWING No. 1711894	REV
SCALE 3/16	EST WT	SHEET 1 OF 1	

FOR HIGH SUCTION PRESSURE SERVICE

49-011-885 - CONN. ROD CPT.
w/ NEEDLE BEARING

49-011-883 - PIN, CROSSHEAD
FOR NEEDLE BEARING

49-011-884 - CROSSHEAD

ABRASION RESISTANT VALVES

100T-4L TAPERED SEAT - 07951772 & 07951773

100T-4M TAPERED SEAT - 07316189 & 07316492

ASTM A105 FORGED STEEL FLUID CYLINDER

P/N 1711411-12 WITH
5" ANSI-300* FF SUCTION &
2"-3000* RJ DISCHARGE

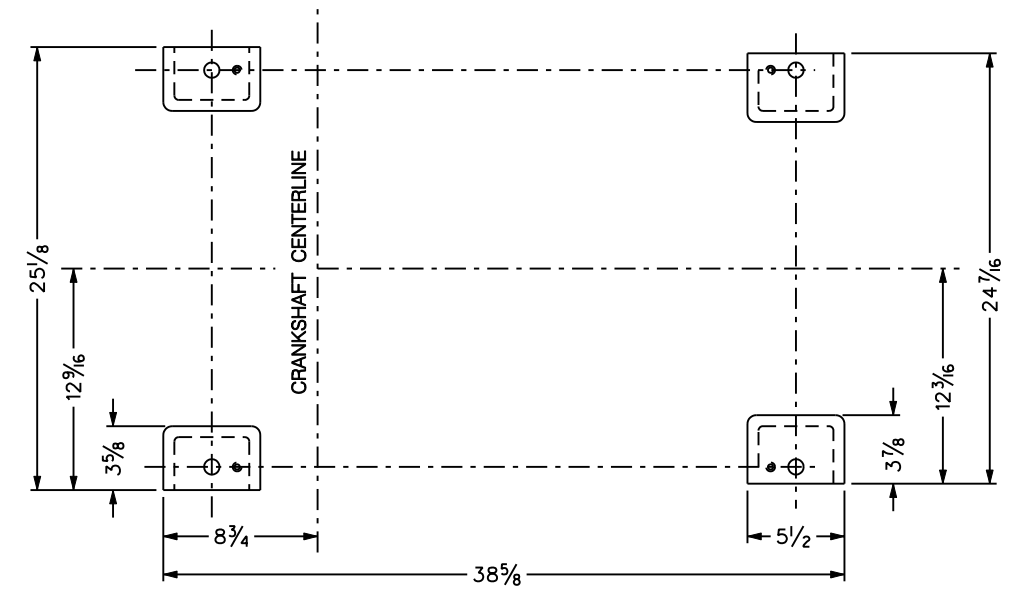
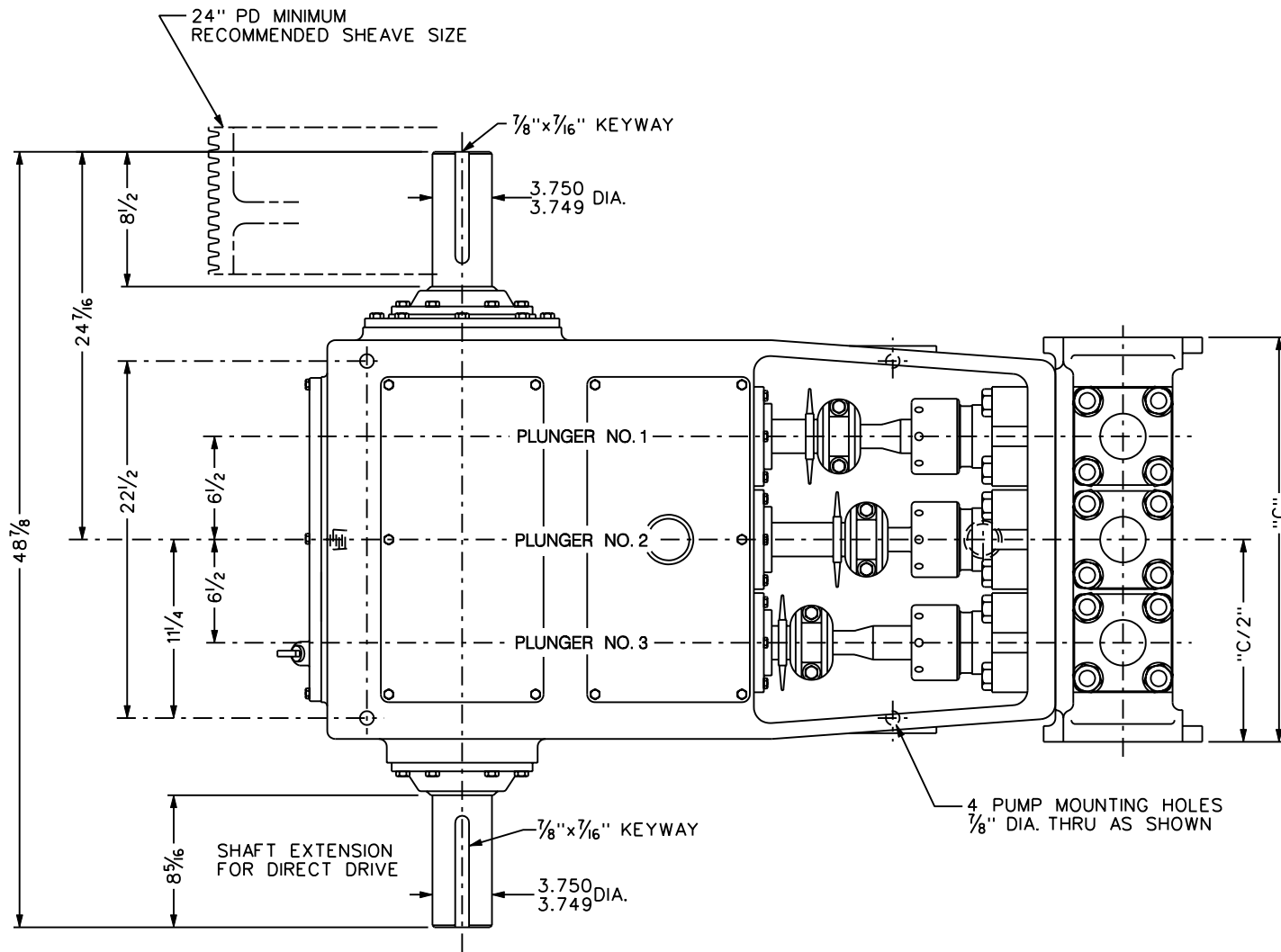
25

NOV NATIONAL OILWELL VARCO

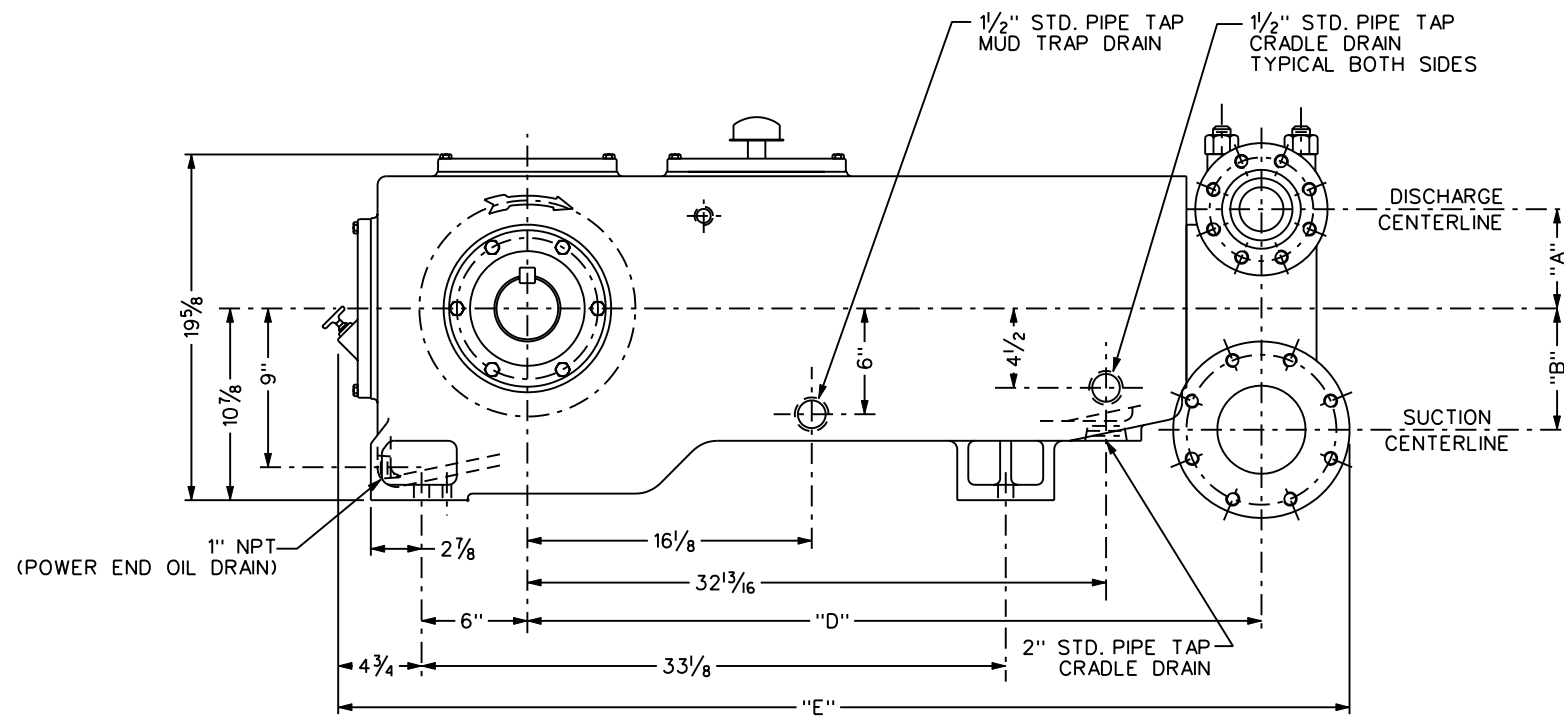
TITLE MISC. OPTIONAL PARTS
100T-4 TRIPLEX PUMP

SIZE A	REFERENCE No.	DRAWING No. 1711895	REV
-----------	---------------	------------------------	-----

SCALE NONE	EST WT	SHEET 1 OF 1
---------------	--------	-----------------



PUMP FOOTPRINT



SUCTION & DISCHARGE CONNECTIONS MAY BE MADE AT EITHER END.

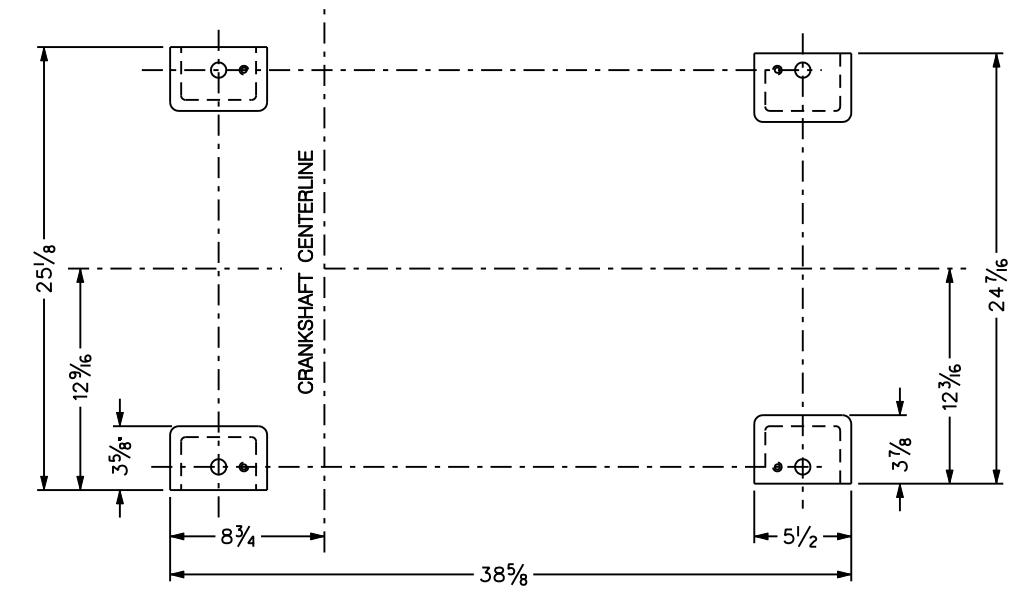
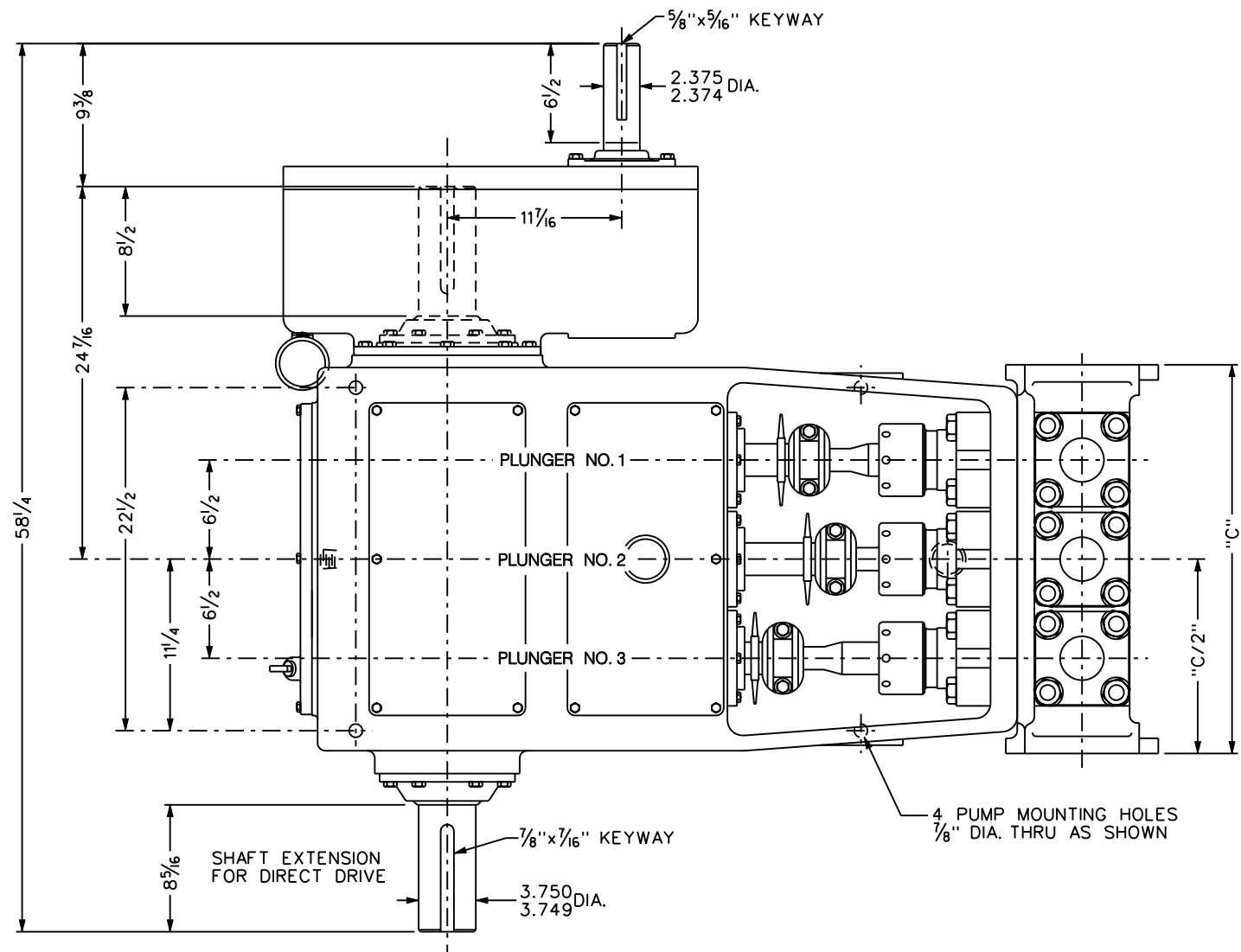
PUMP TYPE	DISCHARGE CONNECTION	SUCTION CONNECTION	DIMENSIONS IN INCHES				
			"A"	"B"	"C"	"D"	"E"
100T-4L	2 1/2"-API 2000* R.J.	5"-ANSI 150* F.F.	5 5/8	6 7/8	25 1/2	4 15/8	57 3/8
100T-4M	1 1/2"-API 5000* R.J.	3" ANSI 150* F.F.	4 3/4	5 1/4	23 3/4	40 7/8	54 3/8
100T-4H	1 1/2"-API 2500* R.J.	3" ANSI 300* F.F.	4 3/4	5 1/4	25 1/2	40 1/2	55 3/8

100T-4L MODEL IS SHOWN

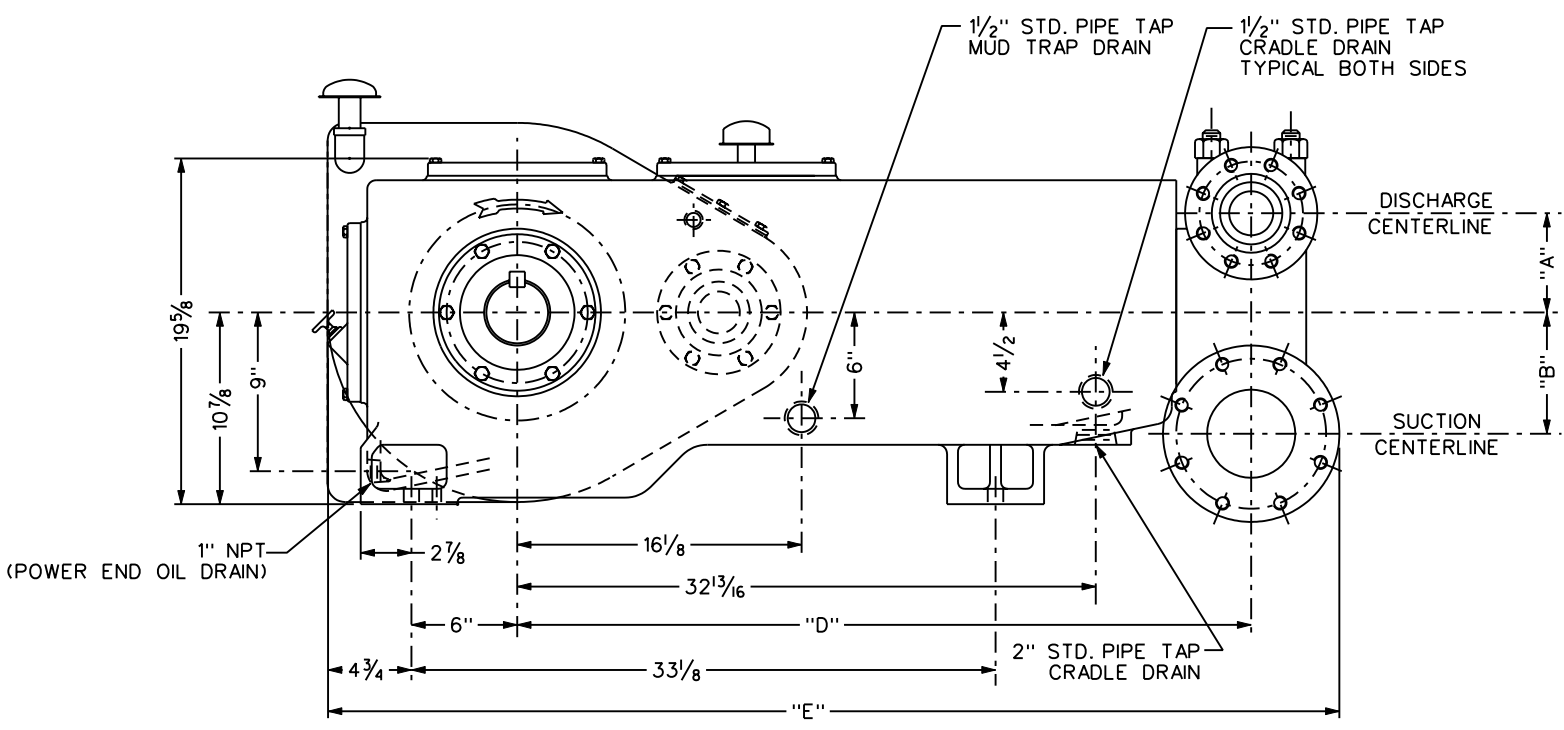
NOV NATIONAL OILWELL VARCO

TITLE
OUTLINE DRAWING
WITHOUT GEAR REDUCER
100T-4 TRIPLEX PLUNGER PUMP

SIZE B	REFERENCE No.	DRAWING No. 1711896	REV
SCALE NONE	EST WT	SHEET 1 OF 1	



PUMP FOOTPRINT



SUCTION & DISCHARGE CONNECTIONS MAY BE MADE AT EITHER END.

PUMP TYPE	DISCHARGE CONNECTION	SUCTION CONNECTION	DIMENSIONS IN INCHES				
			"A"	"B"	"C"	"D"	"E"
100T-4L	2 1/2"-API 2000* R.J.	5"-ANSI 150* F.F.	5 5/8	6 7/8	25 1/2	41 5/8	57 3/8
100T-4M	1 1/2"-API 5000* R.J.	3" ANSI 150* F.F.	4 3/4	5 1/4	23 3/4	40 7/8	54 3/8
100T-4H	1 1/2"-API 2500* R.J.	3" ANSI 300* F.F.	4 3/4	5 1/4	25 1/2	40 1/2	55 3/8

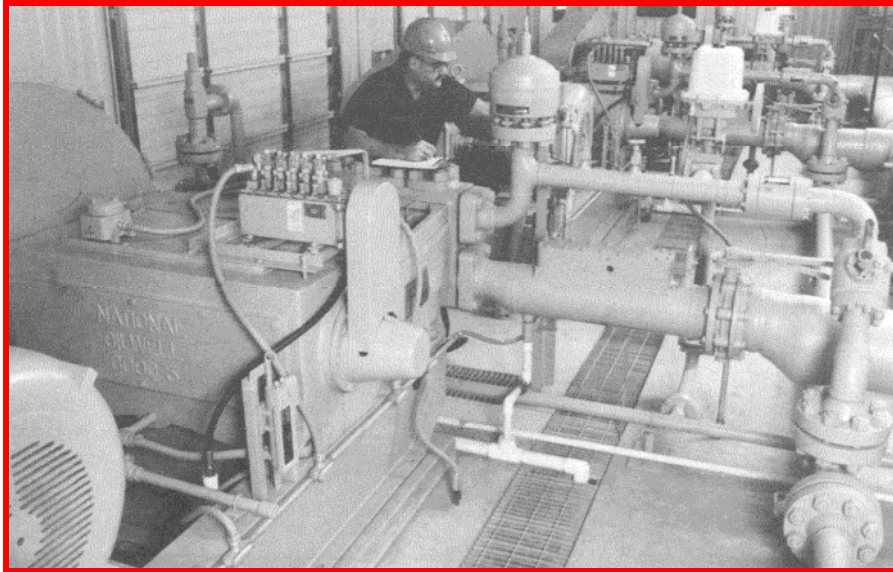
100T-4L MODEL IS SHOWN

NOV NATIONAL OILWELL VARCO

TITLE: OUTLINE DRAWING WITH GEAR REDUCER
100T-4 TRIPLEX PLUNGER PUMP

SIZE	REFERENCE No.	DRAWING No.	REV
D		1711897	
SCALE	NONE	EST WT	SHEET 1 OF 1

NATIONAL OILWELL VARCO



With over 120 locations worldwide, National Oilwell Varco is located near you. To find the nearest Distribution Service Center, machinery center or repair facility, please give us a call at our main office listed below.

Or you can access our website at the URL listed below, where you may search by location or country.

<http://www.nov.com/contactus/>

Sales/Technical Information:
USA Tollfree: 1 (800) 324-4706

Internet: <http://www.nov.com>

National Oilwell Varco is a leading manufacturer of reciprocating plunger pumps, Mission Fluid King centrifugal pumps, and fluid end replacement parts. We also offer a complete set of solutions to your fluid transfer challenges. For more Information, contact National Oilwell Varco directly at the Headquarters in Houston, Texas. All National Oilwell Varco products are available throughout the U.S. and around the world from service centers, authorized distributors, and representatives.

© Copyright 1999 by National Oilwell, L.P. All Rights Reserved. NATIONAL OILWELL, NATIONAL, and OILWELL are registered trademarks of NATIONAL OILWELL, L.P. Houston, Texas, USA. All other trademarks used are registered to their respective companies. The information and data in this brochure, including but not limited to pictures, photographs, charts, diagrams, drawings, lists, written comments, and specifications, are accurate to the best of our knowledge and belief, but are intended for general information only. Applications suggested for the materials and other information are described only to help readers make their own evaluations and decisions, and are neither guarantees nor are they to be construed as express or implied warranties of suitability for these or other applications. National Oilwell makes no warranty, either express or implied, beyond that stipulated in National Oilwell's Standard Terms and Conditions of Sale which are available upon request.