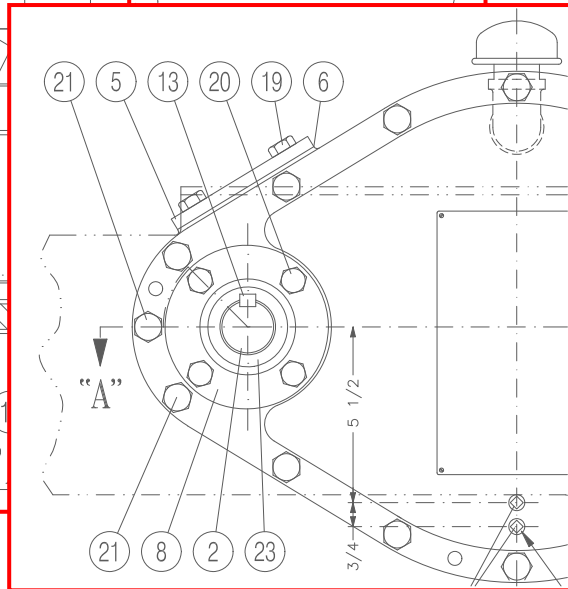
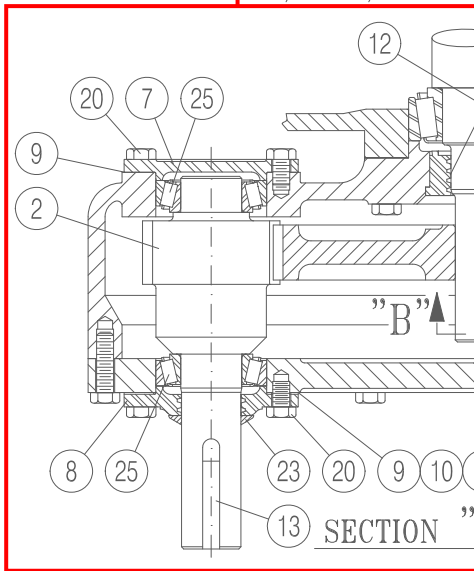
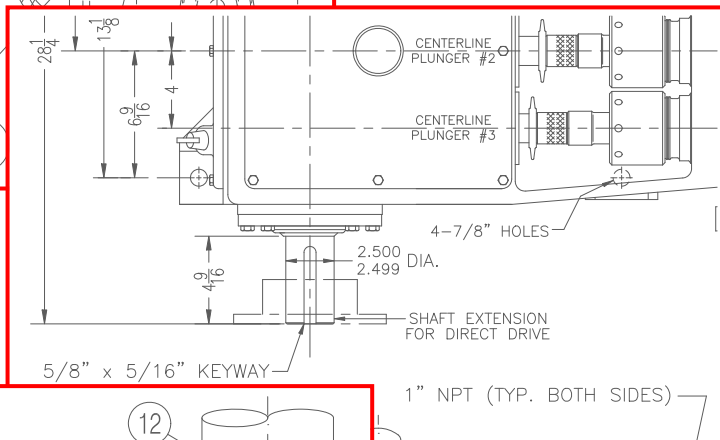
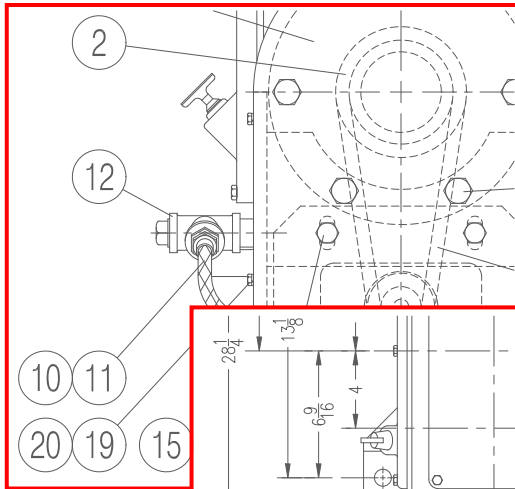
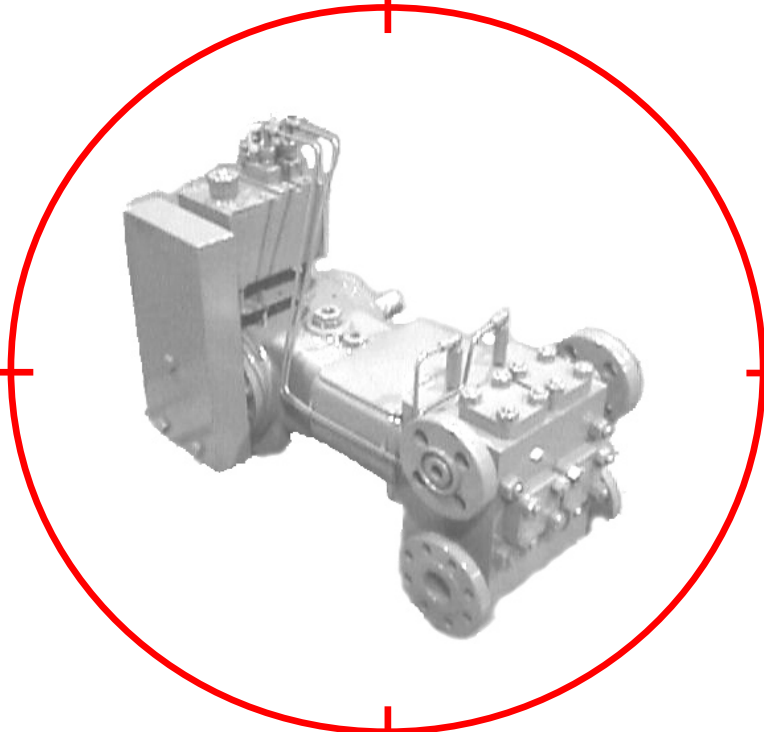


11D-2 Multiplex Plunger Pumps Parts List



**Types:
11D-2**

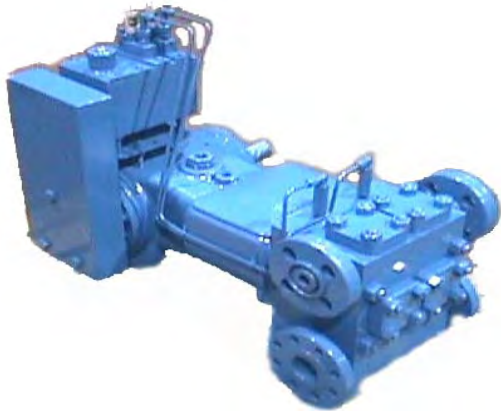
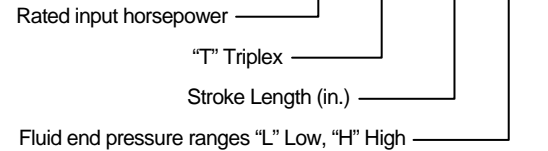
Sales / Technical Information

USA Tollfree: 1 (800) 324-4706

Phone: 1 (918) 447-4600

Fax: 1 (918) 447-4677

Internet: <http://www.nov.com>



Index and Check List:

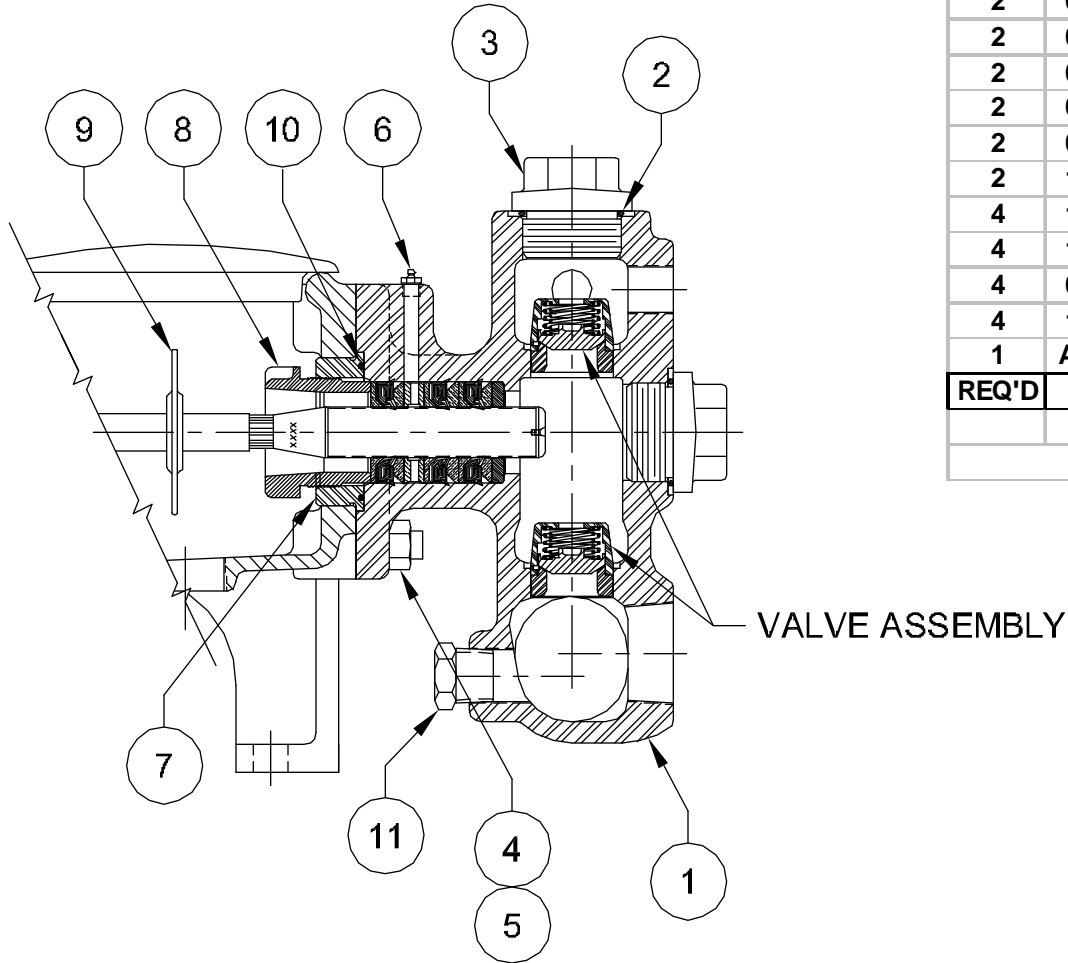
PAGE	DWG. NUMBER	DESCRIPTION	SERIES OF ISSUE	DATE OF ISSUE
1	118732	ASSY, CAST FLUID END, BRONZE - FRONT CONNECTION (L)	FIRST	04-09-07
2	118733	ASSY, CAST FLUID END, DUCTILE IRON - FRONT CONNECTION (L)	FIRST	04-09-07
3	118734	ASSY, BILLET FLUID END, STEEL (L)	FIRST	04-09-07
4	118735	ASSY, FORGED FLUID END, STAINLESS STEEL (L)	FIRST	04-09-07
5	117624	ASSY, CAST FLUID END, BRONZE - FRONT CONNECTION (M)	SECOND	04-09-07
6	117623	ASSY, CAST FLUID END, DUCTILE IRON - FRONT CONNECTION (M)	SECOND	04-09-07
7	117625	ASSY, BILLET FLUID END, STEEL (M)	SECOND	04-09-07
8	117626	ASSY, FORGED FLUID END, STAINLESS STEEL (M)	SECOND	04-09-07
9	118742	ASSY, FORGED FLUID END, STEEL (H)	FIRST	04-09-07
10	118743	ASSY, FORGED FLUID END STAINLESS STEEL (H)	FIRST	04-09-07
11	117619	ASSEMBLY, POWER END	SECOND	04-09-07
12	117622	ASSEMBLY, CRANKSHAFT POWER END	SECOND	04-09-07
13	117630	ASSEMBLY, SPHERICAL VALVE (L & M)	SECOND	04-09-07
14	118736	ASSEMBLY, SEVERE DUTY SPHERICAL VALVE (L & M)	FIRST	04-09-07
15	117629	ASSEMBLY, DISC VALVE (L & M)	THIRD	04-09-07
16	117688	ASSEMBLY, SEVERE DUTY (L & M)	THIRD	04-09-07
17	118745	ASSEMBLY, SEVERE DUTY (H)	FIRST	04-09-07
18	117618	TOOL KIT	SECOND	04-09-07
19	118737	ASSY, PLUNGER KIT 1-1/2" THRU 2", J-STYLE PACKING (L)	FIRST	04-09-07
24	118738	ASSY, PLUNGER KIT 1-1/2" THRU 2", BRAID STYLE PACKING (L)	FIRST	04-09-07
29	118739	ASSY, PLUNGER KIT 1-1/2" THRU 2" 1068-4 STYLE PACKING (L)	FIRST	04-09-07
34	117631	ASSY, PLUNGER KIT 1-1/8 THRU 1-3/4" J-STYLE PACKING (M)	SECOND	04-09-07

Index and Check List
Multiplex Plunger Pump (Continued)



PAGE	DWG. NUMBER	DESCRIPTION	SERIES OF ISSUE	DATE OF ISSUE
40	117632	ASSY, PLUNGER KIT 1-1/8 THRU 1-3/4" BRAID STYLE PACKING (M)	SECOND	04-09-07
46	117633	ASSY, PLUNGER KIT 1-1/8 THRU 1-3/4" 1068-4 STYLE PACKING (M)	SECOND	04-09-07
52	118746	ASSY, PLUNGER KIT 3/4" THRU 1" 805-4 STYLE PACKING (H)	FIRST	04-09-07
55	118740	PLUNGERS, 1-1/2" THRU 2", HARD SURFACE (L)	FIRST	04-09-07
56	118741	PLUNGERS, 1-1/2" THRU 2", CERAMIC (L)	FIRST	04-09-07
57	117634	PLUNGERS, 1-1/8" THRU 1-3/4", HARD SURFACE (M)	SECOND	04-09-07
58	117635	PLUNGERS, 1-1/8 THRU 1-3/4", CERAMIC (M)	SECOND	04-09-07
59	118747	PLUNGERS, 3/4" THRU 1", HARD SURFACE	FIRST	04-09-07
60	117627	ASSEMBLY, PACKING LUBRICATOR	SECOND	04-09-07
61	117628	ASSEMBLY, D.O.H. LUBRICATOR	SECOND	04-09-07
62	117621	GENERAL DIMENSION, RHD, CAST FLUID END, (L & M)	SECOND	04-09-07
63	117803	GENERAL DIMENSION, RHD, BILLET FLUID END, (L & M)	SECOND	04-09-07
64	117620	GENERAL DIMENSION, RHD, FORGED FLUID END, (H)	SECOND	04-09-07

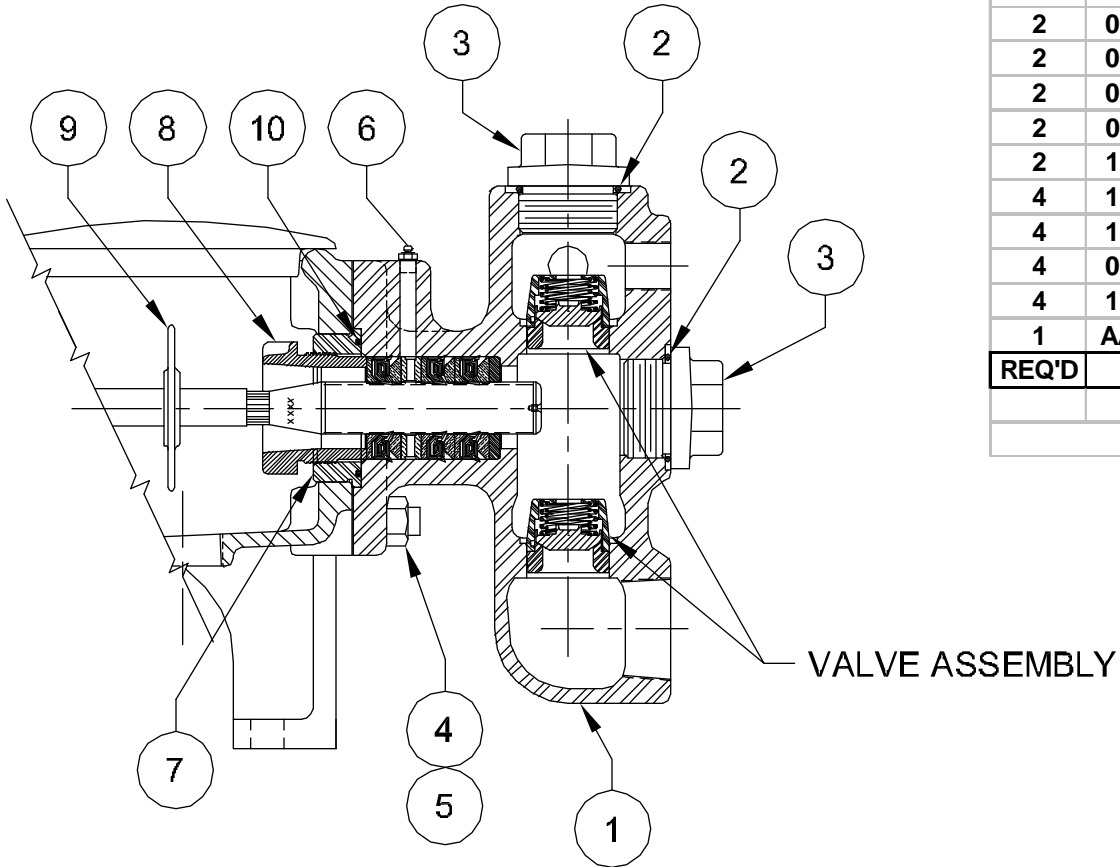
	117688	SEVERE DUTY VALVE	
	117630	SPHERICAL VALVE	
	118736	SPHERICAL VALVE - SEVERE DUTY	
	117629	DISC VALVE	
	DRAWING No:	VALVE ASSEMBLY:	
1	170-100002-405	PIPE PLUG	11
2	110-000234-201	O-RING	10
2	001-008910-201	BAFFLE DISC	9
2	001-000497-310	GLAND NUT 2"	
2	001-011242-310	GLAND NUT 1-7/8"	
2	001-011241-310	GLAND NUT 1-3/4"	
2	001-011240-310	GLAND NUT 1-5/8"	
2	001-011239-310	GLAND NUT 1-1/2"	8
2	001-028512-313	POWER END / FLUID END ADAPTER	7
2	180-165000-220	LUBRICATION FITTING	6
4	133-034010-286	NUT	5
4	102-034212-286	STUD	4
4	002-028954-316	CYLINDER HEAD / VALVE COVER	3
4	110-000036-201	SEAL	2
1	AAD-117983-316	FLUID END, BRONZE CAST	1
REQ'D	Part No.	DESCRIPTION	ITEM
BILL OF MATERIAL			



1

NOV NATIONAL OILWELL VARCO			
HOUSTON, TEXAS, U.S.A.		ENGINEERING, TULSA, OKLAHOMA	
TITLE: ASSEMBLY, CAST FLUID END BRONZE, FRONT CONNECTION 11D-2L			
DWG No.:	118732	SCALE:	NONE
REV	A	SHT.:	1 OF 1

	117688	SEVERE DUTY VALVE	
	117630	SPHERICAL VALVE	
	118736	SPHERICAL VALVE - SEVERE DUTY	
	117629	DISC VALVE	
	<u>DRAWING No:</u>	<u>VALVE ASSEMBLY:</u>	
2	110-000234-201	O-RING	10
2	001-008910-201	BAFFLE DISC	9
2	001-000497-351	GLAND NUT 2"	
2	001-011242-351	GLAND NUT 1-7/8"	
2	001-011241-351	GLAND NUT 1-3/4"	
2	001-011240-351	GLAND NUT 1-5/8"	
2	001-011239-351	GLAND NUT 1-1/2"	8
2	001-028512-236	POWER END / FLUID END ADAPTER	7
2	180-165000-220	LUBRICATION FITTING	6
4	133-034010-286	NUT	5
4	102-034212-286	STUD	4
4	002-028954-351	CYLINDER HEAD / VALVE COVER	3
4	110-000036-201	SEAL	2
1	AAD-117983-351	FLUID END, CAST DUCTILE IRON	1
REQ'D	Part No.	DESCRIPTION	ITEM
BILL OF MATERIAL			

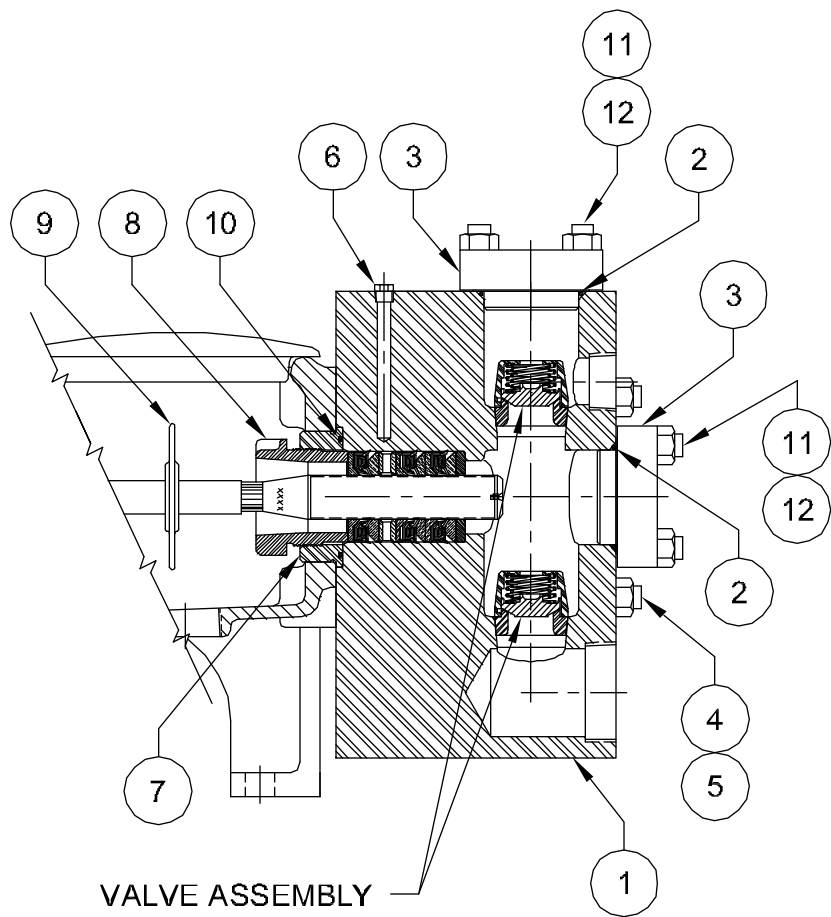


2

NOV NATIONAL OILWELL VARCO
HOUSTON, TEXAS, U.S.A. ENGINEERING, TULSA, OKLAHOMA

TITLE:
**ASSEMBLY, CAST FLUID END
DUCTILE IRON, FRONT CONNECTION
11D-2L**

DWG No.: 118733	SCALE: NONE	REV A	SHT.: 1 OF 1
--------------------	----------------	----------	-----------------



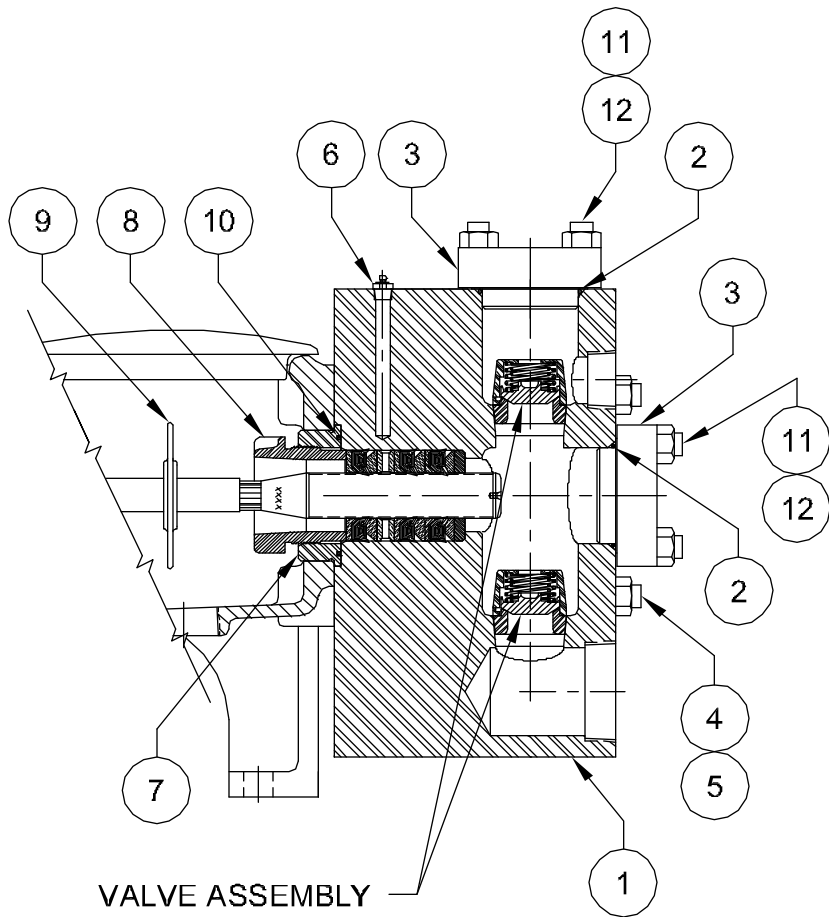
	117688	SEVERE DUTY VALVE	
	117630	SPHERICAL VALVE	
	118736	SPHERICAL VALVE - SEVERE DUTY	
	117629	DISC VALVE	
	<u>DRAWING No:</u>	<u>VALVE ASSEMBLY:</u>	
16	133-058011-286	NUT	12
16	102-058212-286	STUD	11
2	110-000234-201	O-RING	10
2	001-008910-201	BAFFLE DISC	9
2	001-000497-310	GLAND NUT 2"	
2	001-011242-310	GLAND NUT 1-7/8"	
2	001-011241-310	GLAND NUT 1-3/4"	
2	001-011240-310	GLAND NUT 1-5/8"	
2	001-011239-310	GLAND NUT 1-1/2"	8
2	001-028512-236	POWER END / FLUID END ADAPTER	7
2	170-018002-278	PIPE PLUG	6
4	133-034010-286	NUT	5
4	102-034834-286	STUD	4
4	AAB-030923-231	CYLINDER HEAD / VALVE COVER	3
4	110-000229-201	SEAL	2
1	AAC-118098-C06	FLUID END, STEEL	1
REQ'D	Part No.	DESCRIPTION	ITEM
BILL OF MATERIAL			

3

NOV NATIONAL OILWELL VARCO
 HOUSTON, TEXAS, U.S.A. ENGINEERING, TULSA, OKLAHOMA

TITLE:
 ASSEMBLY, BILLET FLUID END
 CARBON STEEL
 11D-2L

DWG No.: 118734	SCALE: NONE	REV A	SHT.: 1 OF 1
-----------------	-------------	-------	--------------



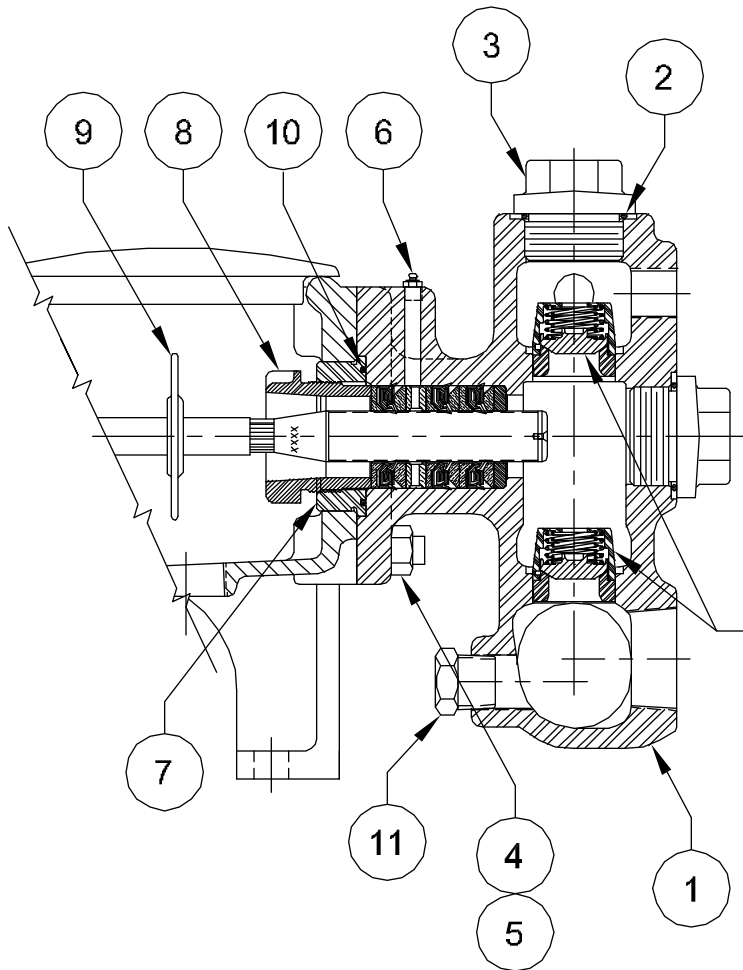
	117688	SEVERE DUTY VALVE	
	117630	SPHERICAL VALVE	
	118736	SPHERICAL VALVE - SEVERE DUTY	
	117629	DISC VALVE	
	<u>DRAWING No:</u>	<u>VALVE ASSEMBLY:</u>	
16	133-058011-287	NUT	12
16	102-058212-287	STUD	11
2	110-000234-201	O-RING	10
2	001-008910-201	BAFFLE DISC	9
2	AAC-115784-E16	GLAND NUT 2"	
2	ABC-115784-E16	GLAND NUT 1-7/8"	
2	ACC-115784-E16	GLAND NUT 1-3/4"	
2	ADC-115784-E16	GLAND NUT 1-5/8"	
2	AEC-115784-E16	GLAND NUT 1-1/2"	8
2	001-028512-278	POWER END / FLUID END ADAPTER	7
2	170-018002-278	PIPE PLUG	6
4	133-034010-287	NUT	5
4	102-034834-287	STUD	4
4	AAB-030923-278	CYLINDER HEAD / VALVE COVER	3
4	110-000229-201	SEAL	2
1	AAC-118098-278	FLUID END, STAINLESS STEEL	1
REQ'D	Part No.	DESCRIPTION	ITEM
BILL OF MATERIAL			

4

NOV NATIONAL OILWELL VARCO
 HOUSTON, TEXAS, U.S.A. ENGINEERING, TULSA, OKLAHOMA

TITLE:
 ASSEMBLY, FORGED FLUID END
 STAINLESS STEEL
 11D-2L

DWG No.: 118735	SCALE: NONE	REV: A	SHT.: 1 OF 1
-----------------	-------------	--------	--------------



VALVE ASSEMBLY

	117688	SEVERE DUTY VALVE	
	117630	SPHERICAL VALVE	
	118736	SPHERICAL VALVE - SEVERE DUTY	
	117629	DISC VALVE	
	DRAWING No:	VALVE ASSEMBLY:	
1	170-100002-405	PIPE PLUG	11
2	110-000232-201	O-RING	10
2	001-008910-201	BAFFLE DISC	9
2	001-008909-304	GLAND NUT, 1-3/4"	
2	001-011231-304	GLAND NUT 1-5/8"	
2	001-011230-304	GLAND NUT 1-1/2"	
2	001-011229-304	GLAND NUT 1-3/8"	
2	001-011228-304	GLAND NUT 1-1/4"	
2	001-011227-304	GLAND NUT 1-1/8"	8
2	001-003948-316	POWER END / FLUID END ADAPTER	7
2	180-165000-220	LUBRICATION FITTING	6
4	133-034010-286	NUT	5
4	102-034212-286	STUD	4
4	002-028954-316	CYLINDER HEAD / VALVE COVER	3
4	110-000036-201	SEAL	2
1	004-003947-316	FLUID END, CAST BRONZE	1
REQ'D	Part No.	DESCRIPTION	ITEM
BILL OF MATERIAL			

5

NOV NATIONAL OILWELL VARCO

HOUSTON, TEXAS, U.S.A.

ENGINEERING, TULSA, OKLAHOMA

TITLE:

ASSEMBLY, CAST FLUID END
BRONZE, FRONT CONNECTION
11D-2M (P100A)

DWG No.:

117624

SCALE:

NONE

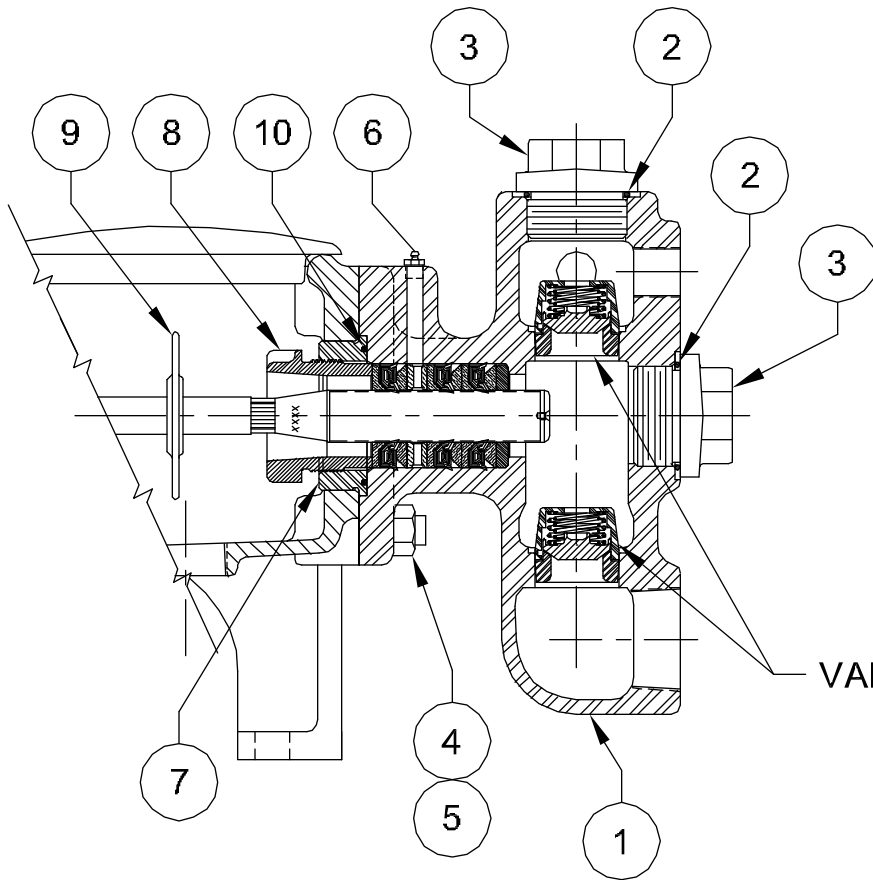
REV

B

SHT.:

1

OF 1



VALVE ASSEMBLY

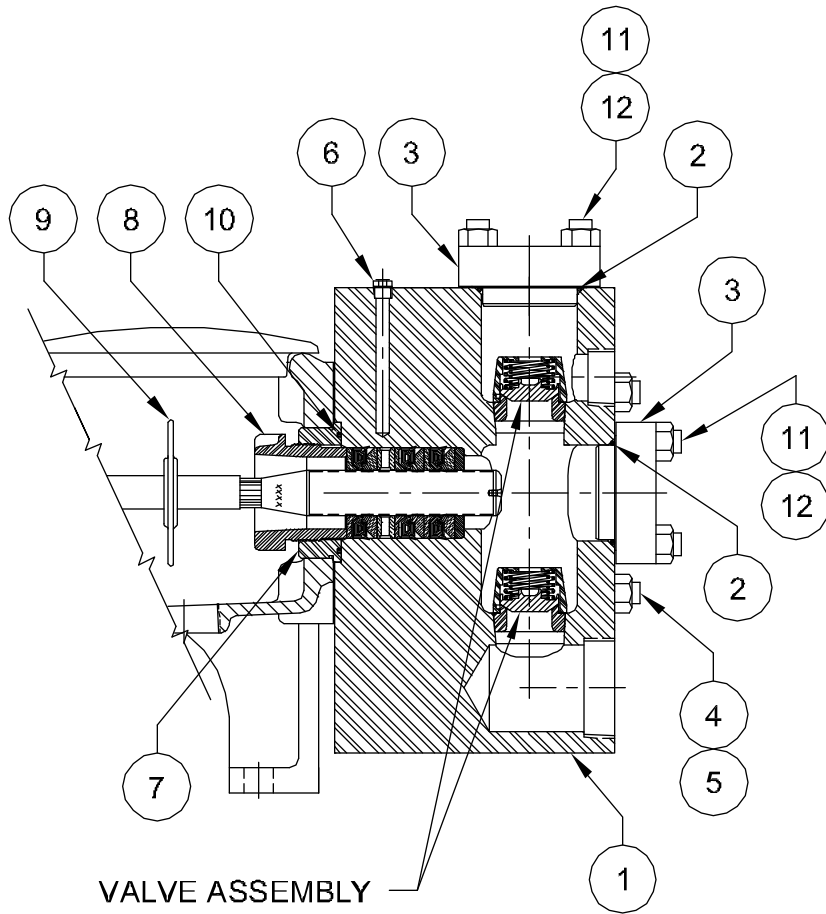
	117688	SEVERE DUTY VALVE	
	117630	SPHERICAL VALVE	
	118736	SPHERICAL VALVE - SEVERE DUTY	
	117629	DISC VALVE	
	DRAWING No:	VALVE ASSEMBLY:	
2	110-000232-201	O-RING	10
2	001-008910-201	BAFFLE DISC	9
2	001-008909-351	GLAND NUT 1-3/4"	
2	001-011231-351	GLAND NUT 1-5/8"	
2	001-011230-351	GLAND NUT 1-1/2"	
2	001-011229-351	GLAND NUT 1-3/8"	
2	001-011228-351	GLAND NUT 1-1/4"	
2	001-011227-351	GLAND NUT 1-1/8"	8
2	001-003948-236	POWER END / FLUID END ADAPTER	7
2	180-165000-220	LUBRICATION FITTING	6
4	133-034010-286	NUT	5
4	102-034212-286	STUD	4
4	002-028954-351	CYLINDER HEAD / VALVE COVER	3
4	110-000036-201	SEAL	2
1	004-003947-351	FLUID END, CAST DUCTILE IRON	1
REQ'D	Part No.	DESCRIPTION	ITEM
BILL OF MATERIAL			

6

NOV NATIONAL OILWELL VARCO
 HOUSTON, TEXAS, U.S.A. ENGINEERING, TULSA, OKLAHOMA

TITLE:
**ASSEMBLY, CAST FLUID END
 DUCTILE IRON, FRONT CONNECTION
 11D-2M (P100A)**

DWG No:	117623	SCALE:	NONE	REV	B	SH1.:	1 OF 1
---------	--------	--------	------	-----	---	-------	--------

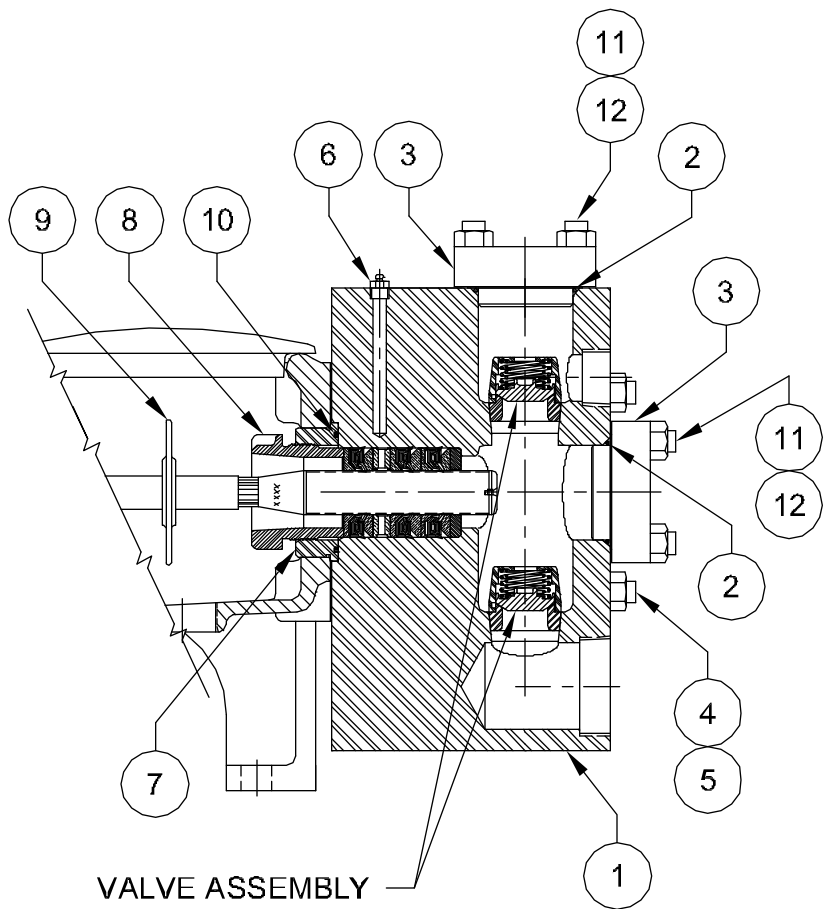


	117688	SEVERE DUTY VALVE	
	117630	SPHERICAL VALVE	
	118736	SPHERICAL VALVE - SEVERE DUTY	
	117629	DISC VALVE	
	DRAWING No:	VALVE ASSEMBLY:	
16	133-058011-286	NUT	12
16	102-058212-286	STUD	11
2	110-000232-201	O-RING	10
2	001-008910-201	BAFFLE DISC	9
2	001-008909-304	GLAND NUT 1-3/4"	
2	001-011231-304	GLAND NUT 1-5/8"	
2	001-011230-304	GLAND NUT 1-1/2"	
2	001-011229-304	GLAND NUT 1-3/8"	
2	001-011228-304	GLAND NUT 1-1/4"	
2	001-011227-304	GLAND NUT 1-1/8"	8
2	001-003948-236	POWER END / FLUID END ADAPTER	7
2	170-018002-278	PIPE PLUG	6
4	133-034010-286	NUT	5
4	102-034834-286	STUD	4
4	AAB-030923-231	CYLINDER HEAD / VALVE COVER	3
4	110-000229-201	SEAL	2
1	AAC-030925-C06	FLUID END, STEEL	1
REQ'D	Part No.	DESCRIPTION	ITEM
BILL OF MATERIAL			

NOV NATIONAL OILWELL VARCO
 HOUSTON, TEXAS, U.S.A. ENGINEERING, TULSA, OKLAHOMA

TITLE:
**ASSEMBLY, BILLET FLUID END
 CARBON STEEL
 11D-2M (P100AM)**

DWG No.: 117625 SCALE: NONE REV B SHT.: 1 OF 1



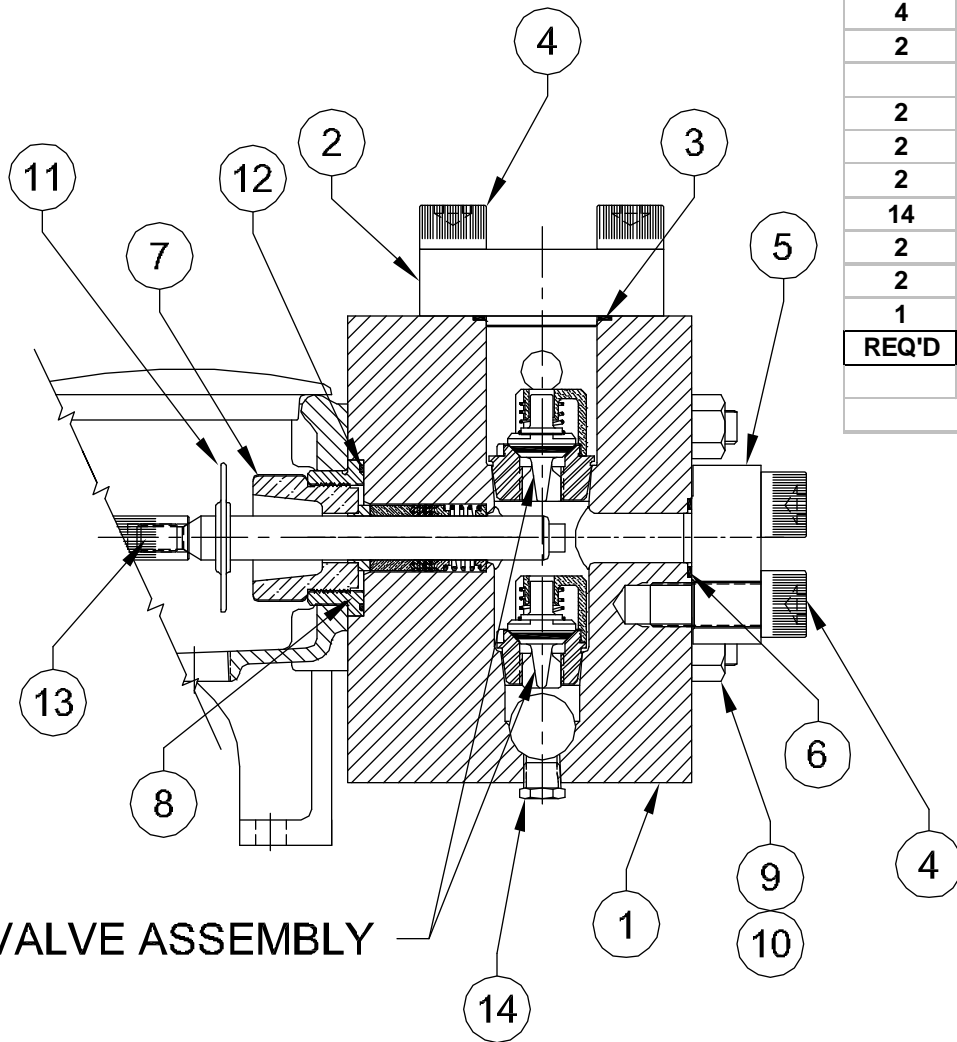
	117688	SEVERE DUTY VALVE	
	117630	SPHERICAL VALVE	
	118736	SPHERICAL VALVE - SEVERE DUTY	
	117629	DISC VALVE	
	<u>DRAWING No:</u>	<u>VALVE ASSEMBLY:</u>	
16	133-058011-287	NUT	12
16	102-058212-287	STUD	11
2	110-000232-201	O-RING	10
2	001-008910-201	BAFFLE DISC	9
2	AAC-013800-E16	GLAND NUT 1-3/4"	
2	ABC-013800-E16	GLAND NUT 1-5/8"	
2	ACC-013800-E16	GLAND NUT 1-1/2"	
2	ADC-013800-E16	GLAND NUT 1-3/8"	
2	AEC-013800-E16	GLAND NUT 1-1/4"	
2	AFC-013800-E16	GLAND NUT 1-1/8"	8
2	001-003948-278	POWER END / FLUID END ADAPTER	7
2	170-018002-278	PIPE PLUG	6
4	133-034010-287	NUT	5
4	102-034834-287	STUD	4
4	AAB-030923-278	CYLINDER HEAD / VALVE COVER	3
4	110-000229-201	SEAL	2
1	AAC-030925-278	FLUID END, STAINLESS STEEL	1
REQ'D	Part No.	DESCRIPTION	ITEM
BILL OF MATERIAL			

8

NOV NATIONAL OILWELL VARCO
 HOUSTON, TEXAS, U.S.A. ENGINEERING, TULSA, OKLAHOMA

TITLE:
 ASSEMBLY, FORGED FLUID END
 STAINLESS STEEL
 11D-2M (P100AM)

DWG No.: 117626	SCALE: NONE	REV B	SHT.: 1 OF 1
--------------------	----------------	----------	-----------------



VALVE ASSEMBLY

118745		POLYURETHANE SEAL VALVE	
DRAWING No:		VALVE ASSEMBLY:	
2	170-012002-405	PIPE PLUG	14
2	001-014266-402	PONY ROD	13
2	110-000234-201	O-RING	12
2	001-008910-201	BAFFLE DISC	11
4	133-034010-286	NUT	10
4	102-034934-286	STUD	9
2	001-014277-310	POWER END / FLUID END ADAPTER	8
	001-014278-351	GLAND NUT (DI)	
2	001-014278-304	GLAND NUT (BRZ)	7
2	110-000218-200	O-RING (CYLINDER HEAD)	6
2	AAA-115895-231	CYLINDER HEAD	5
14	271-100212-290	SOCKET HEAD CAP SCREW	4
2	110-000231-200	O-RING (VALVE COVER)	3
2	AAB-115896-231	VALVE COVER	2
1	AAD-118744-250	FLUID END, FORGED STEEL	1
REQ'D	Part No.	DESCRIPTION	ITEM
BILL OF MATERIAL			

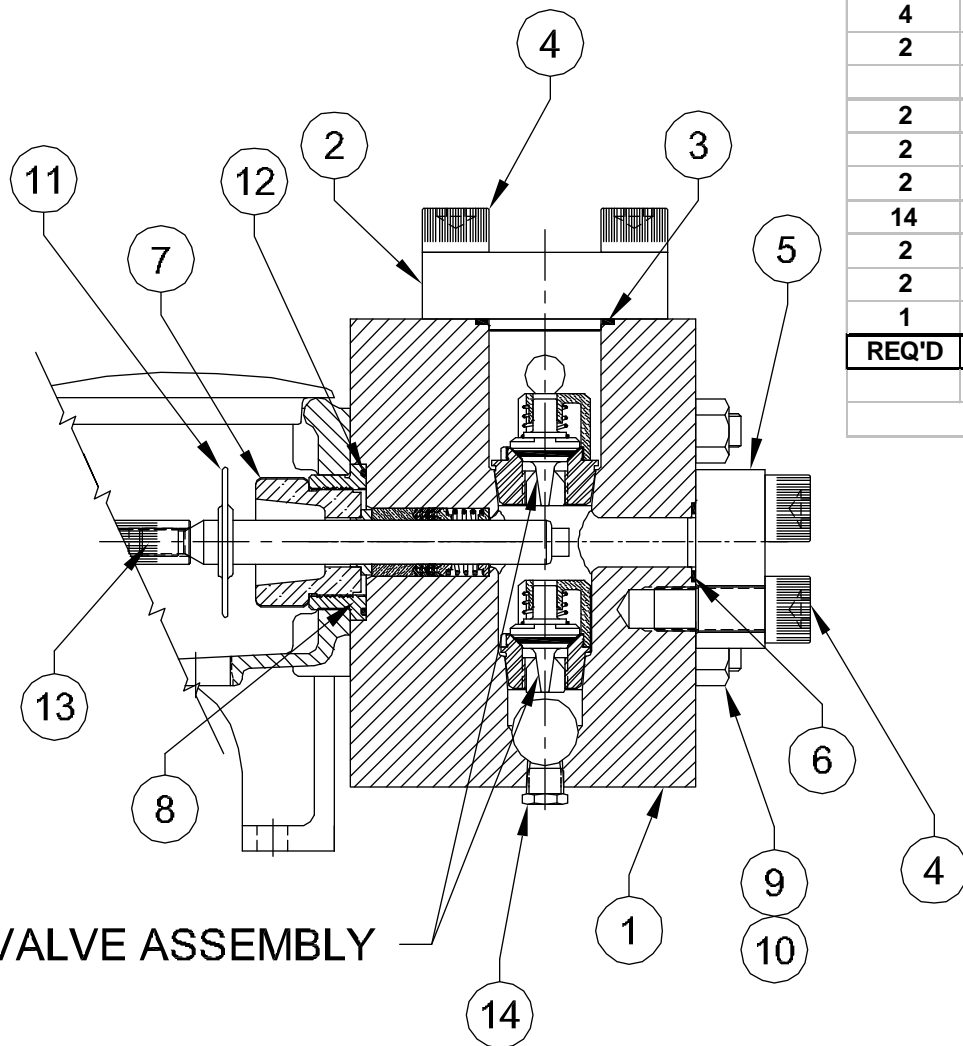
9

NOV NATIONAL OILWELL VARCO
 HOUSTON, TEXAS, U.S.A. ENGINEERING, TULSA, OKLAHOMA

TITLE:
 ASSEMBLY FORGED STEEL FLUID END
 3/4" THRU 1" PLUNGERS
 11D-2H

DWG No.: 118742	SCALE: NONE	REV A	SHT.: 1 OF 1
-----------------	-------------	-------	--------------

118745		POLYURETHANE SEAL VALVE	
DRAWING No:		VALVE ASSEMBLY:	
2	170-012002-405	PIPE PLUG	14
2	001-014266-402	PONY ROD	13
2	110-000234-201	O-RING	12
2	001-008910-201	BAFFLE DISC	11
4	133-034010-287	NUT	10
4	102-034934-287	STUD	9
2	001-014277-278	POWER END / FLUID END ADAPTER	8
	001-014278-351	GLAND NUT (DI)	
2	001-014278-304	GLAND NUT (BRZ)	7
2	110-000218-200	O-RING (CYLINDER HEAD)	6
2	AAA-115895-278	CYLINDER HEAD	5
14	271-100212-287	SOCKET HEAD CAP SCREW	4
2	110-000231-200	O-RING (VALVE COVER)	3
2	AAB-115896-278	VALVE COVER	2
1	AAD-118744-276	FLUID END, FORGED STAINLESS STEEL	1
REQ'D	Part No.	DESCRIPTION	ITEM
BILL OF MATERIAL			



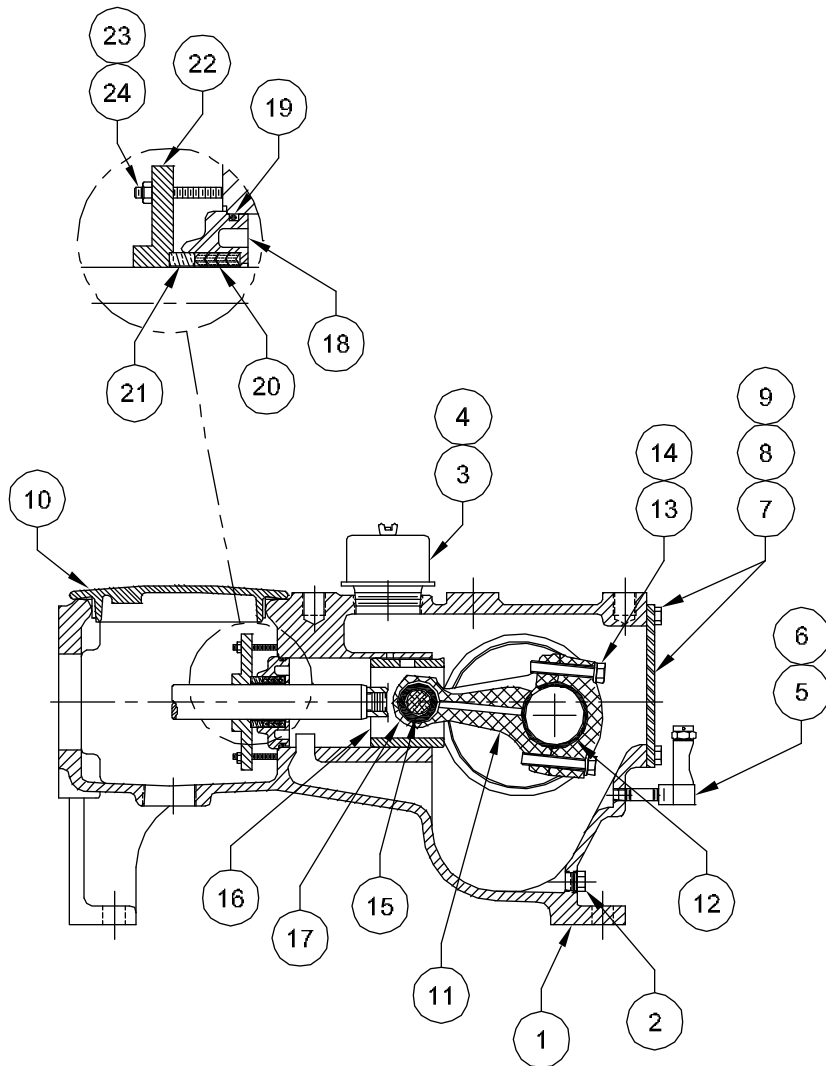
VALVE ASSEMBLY

10

NOV NATIONAL OILWELL VARCO
 HOUSTON, TEXAS, U.S.A. ENGINEERING, TULSA, OKLAHOMA

TITLE:
 ASSEMBLY FORGED STAINLESS STEEL
 FLUID END, 3/4" THRU 1" PLUNGERS
 11D-2H

DWG No.: 118743	SCALE: NONE	REV A	SHT.: 1 OF 1
-----------------	-------------	-------	--------------

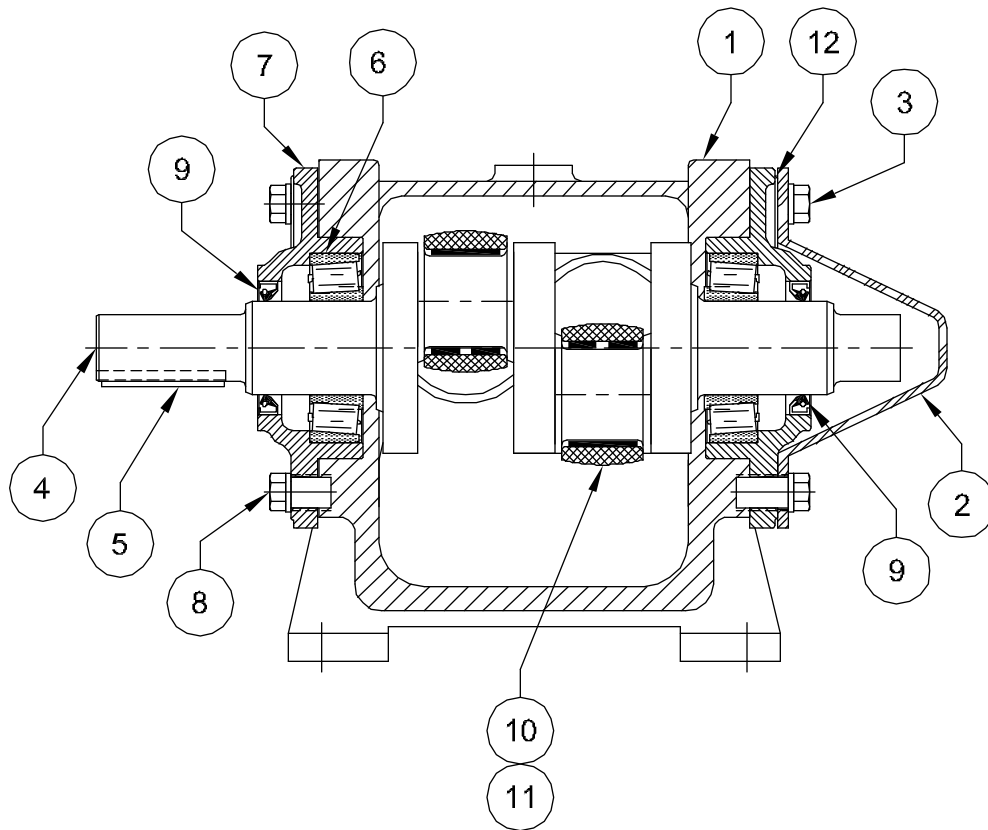


< * > NOT SHOWN ON PARTS DRAWING			
REQ'D	Part No.	DESCRIPTION	ITEM
2	170-018003-220	PLUG < * >	25
4	150-038016-306	NUT	24
4	102-038214-286	STUD	23
2	001-008906-283	GLAND	22
2	001-008916-302	FOLLOWER	21
2	001-011616-381	PACKING	20
2	110-000232-201	O-RING	19
2	002-008907-283	WIPER BOX	18
2	001-008920-236	WRIST PIN	17
2	002-008905-350	CROSSHEAD	16
2	001-008921-302	BUSHING, WRIST PIN	15
4	100-038214-290	CAP SCREW	14
4	154-038068-220	LOCK WASHER	13
2	001-001699-999	SHELL BEARING	12
2	004-026866-350	CONN. ROD & CAP	11
1	004-001883-350	BARREL COVER	10
6	100-038012-290	CAP SCREW	9
1	001-001873-204	GASKET	8
1	001-001858-231	CRANKCASE COVER	7
1	157-018112-220	PIPE NIPPLE	6
1	001-011409-999	OIL GAUGE	5
1	AAA-030436-999	AIR BREATHER	4
1	161-1112034-353	BUSHING	3
1	170-038005-353	DRAIN PLUG	2
1	004-022579-350	POWER FRAME	1
BILL OF MATERIAL			

11

(SEE DWG. No. 117622 FOR OPTIONAL KITS & PARTS)

NOV NATIONAL OILWELL VARCO			
HOUSTON, TEXAS, U.S.A.		ENGINEERING, TULSA, OKLAHOMA	
TITLE: ASSEMBLY, POWER END 11D-2 (P100A)			
DWG No.:	117619	SCALE:	NONE
REV	B	SHT.:	1 OF 1



(**)	OMIT WHEN LUBRICATOR IS USED		
(*)	NOT SHOWN ON PARTS DRAWING		
		(WRIST PIN BUSHING INCLUDED)	
2	998-016200-012	CONNECTING ROD KIT (*)	CC
2	998-016200-013	WIPER BOX GLAND NUT KIT (*)	BB
1	998-016100-012	POWER END GASKET KIT (*)	AA
REQ'D	Part No.	DESCRIPTION	OPTION
1	998-016200-014	SHIM/GASKET KIT	12
2	001-01699-999	SHELL BEARING	11
2	004-026866-350	CONN. ROD & CAP	10
2	145-218300-999	OIL SEAL	9
8	100-058114-290	CAP SCREW	8
2	004-000085-571	BEARING HOUSING	7
2	120-218042-999	END BEARING	6
1	146-012200-236	KEY	5
1	004-003330-351	CRANKSHAFT	4
2	100-058112-290	CAP SCREW (**)	3
1	001-001982-350	EXTENSION GUARD (**)	2
1	004-022579-350	POWER FRAME	1
REQ'D	Part No.	DESCRIPTION	ITEM

BILL OF MATERIAL

12



HOUSTON, TEXAS, U.S.A.

ENGINEERING, TULSA, OKLAHOMA

TITLE:

ASSEMBLY, CRANKSHAFT
POWER END
11D-2 (P100A)

DWG No.:

117622

SCALE:

NONE

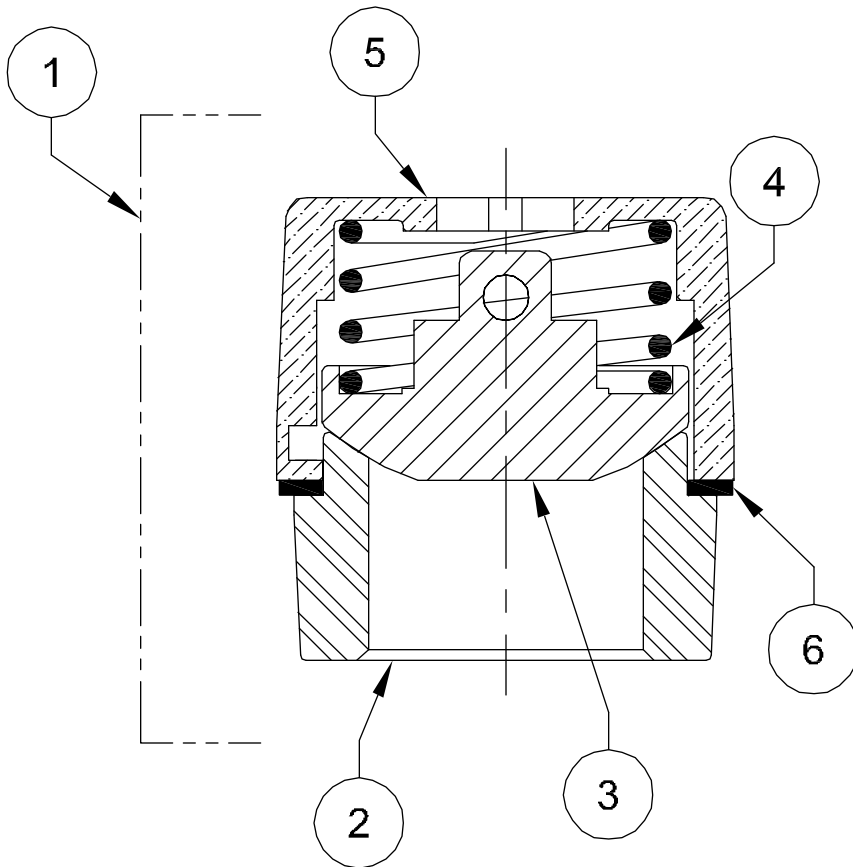
REV

B

SHT.:

1 OF 1

1	9707074	WAVE RING	6
1	17915036W	RETAINER	5
1	1791504	SPRING	4
1	179150225	BODY (VALVE)	3
1	179150125	SEAT	2
1	179150025W	ASSEMBLY, SPHERICAL VALVE	1
REQ'D	Part No.	DESCRIPTION	ITEM
BILL OF MATERIAL			



13

NOV NATIONAL OILWELL VARCO

HOUSTON, TEXAS, U.S.A.

ENGINEERING, TULSA, OKLAHOMA

TITLE:

ASSEMBLY, SPHERICAL VALVE
11D-2L & M (P100A)

DWG No.:

117630

SCALE:

NONE

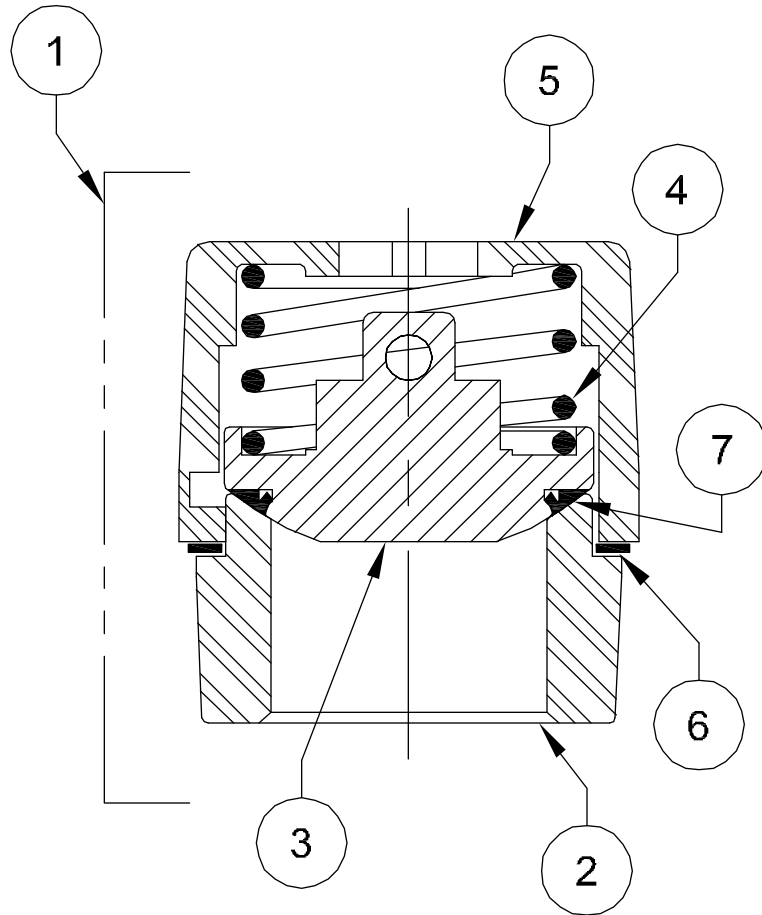
REV

B

SHT.:

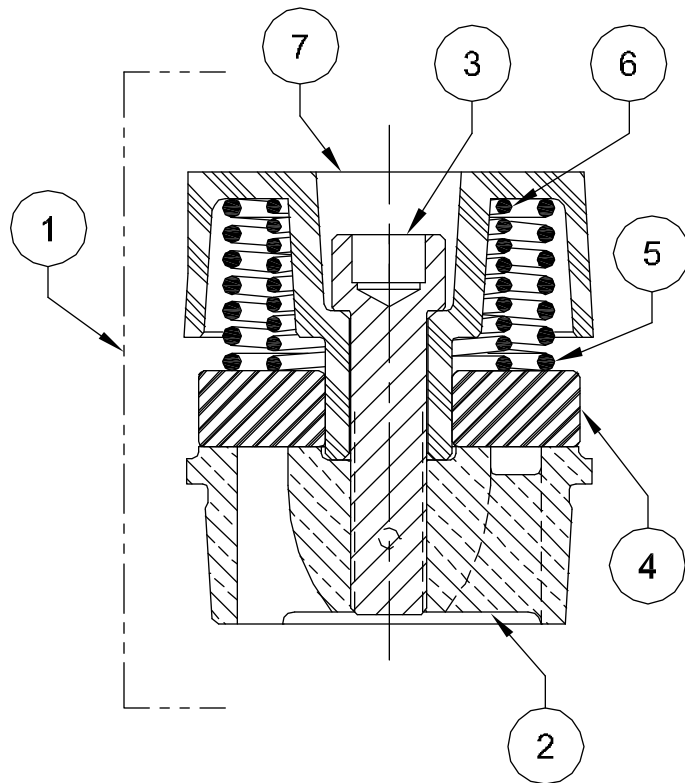
1 OF 1

1	9707073	VAVLE INSERT	7
1	9707074	WAVE RING	6
1	17915036W	RETAINER	5
1	1791504	SPRING, OUTER	4
1	179150225SD	BODY (VALVE)	3
1	179150125	SEAT	2
1	179150025SD	ASSEMBLY, SPHERICAL, SEVERE DUTY	1
REQ'D	Part No.	DESCRIPTION	ITEM
BILL OF MATERIAL			



14

NOV NATIONAL OILWELL VARCO			
HOUSTON, TEXAS, U.S.A.		ENGINEERING, TULSA, OKLAHOMA	
TITLE: ASSEMBLY, SPHERICAL VALVE SEVERE DUTY 11D-2L & M (P100A)			
DWG No.:	118736	SCALE:	NONE
REV	A	SHT.:	1 OF 1



1	SR015	RETAINER	7
1	IS011	SPRING, OUTER	6
1	IS022	SPRING, INNER	5
1	TP03	DISC (TITANIUM)	4
1	38178M	FASTENER	3
1	0010304	SEAT	2
		(TITANIUM)	
1	001TP0304	ASSEMBLY, TI/CF8M DISC VALVE	1
REQ'D	Part No.	DESCRIPTION	ITEM
1	SR015	RETAINER	7
1	IS011	SPRING, OUTER	6
1	IS022	SPRING, INNER	5
1	DP03	DISC (DELRIN)	4
1	38178M	FASTENER	3
1	0010304	SEAT	2
		(DELRIN)	
1	001DP0304	ASSEMBLY, DEL/CF8M DISC VALVE	1
REQ'D	Part No.	DESCRIPTION	ITEM

BILL OF MATERIAL

15

NOV NATIONAL OILWELL VARCO

HOUSTON, TEXAS, U.S.A.

ENGINEERING, TULSA, OKLAHOMA

TITLE:

ASSEMBLY, DISC VALVE
11D-2L & M (P100A)

DWG No.: 117629

SCALE: NONE

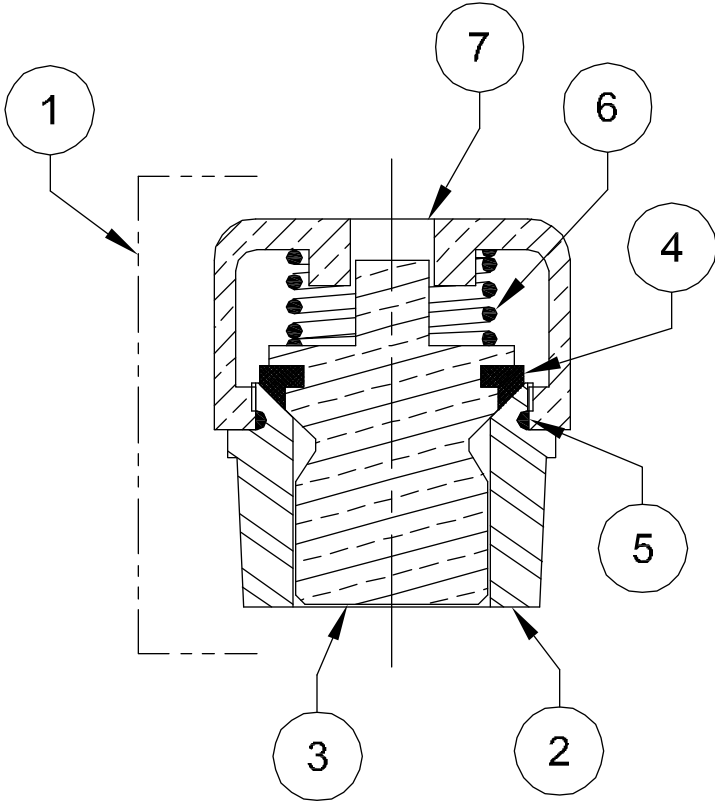
REV C

SHT.: 1 OF 1

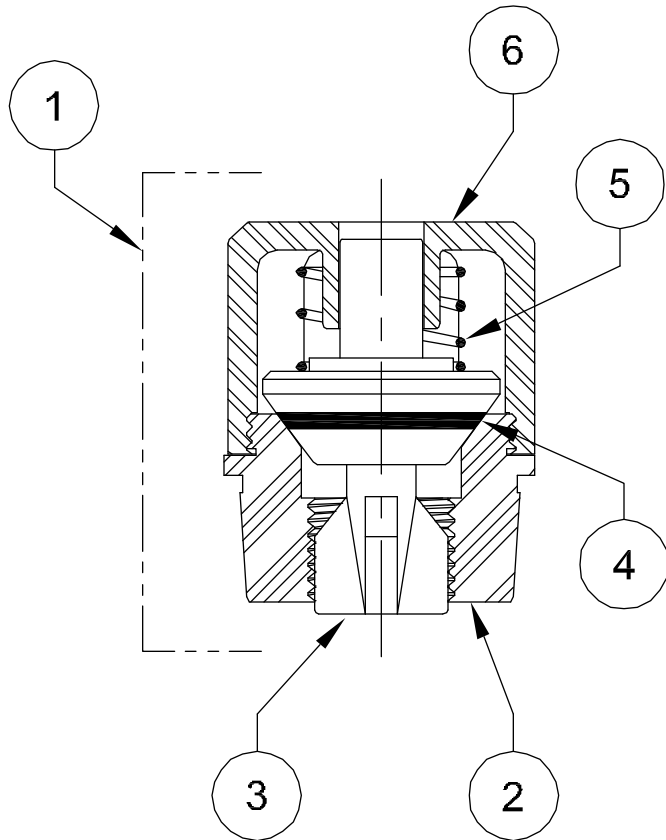
1	SDR03	RETAINER	7
1	SDS031	SPRING	6
1	SDL03	THREAD LOCK	5
1	SDI03	INSERT	4
1	SD03	VALVE L/INSERT	3
1	1000304	SEAT	2
1	100SD0304	ASSEMBLY, SEVERE DUTY	1

REQ'D	Part No.	DESCRIPTION	ITEM

BILL OF MATERIAL



HOUSTON, TEXAS, U.S.A.		ENGINEERING, TULSA, OKLAHOMA	
TITLE:			
ASSEMBLY, SEVERE DUTY 11D-2L & M (P100A)			
DWG No.:	SCALE:	REV	SHT.:
117688	NONE	C	1 OF 1



1	001-021273-402	RETAINER	6
1	001-006389-362	SPRING	5
1	110-000214-503	O-RING	4
1	002-021274-402	BODY	3
1	001-011747-402	SEAT	2
1	998-016313-028	ASSEMBLY, VALVE	1
(DISCHARGE)			
REQ'D	Part No.	DESCRIPTION	ITEM
1	001-021273-402	RETAINER	6
1	001-006389-362	SPRING	5
1	110-000214-503	O-RING	4
1	002-021274-402	BODY	3
1	001-011744-402	SEAT	2
1	998-016313-027	ASSEMBLY, VALVE	1
(SUCTION)			
REQ'D	Part No.	DESCRIPTION	ITEM

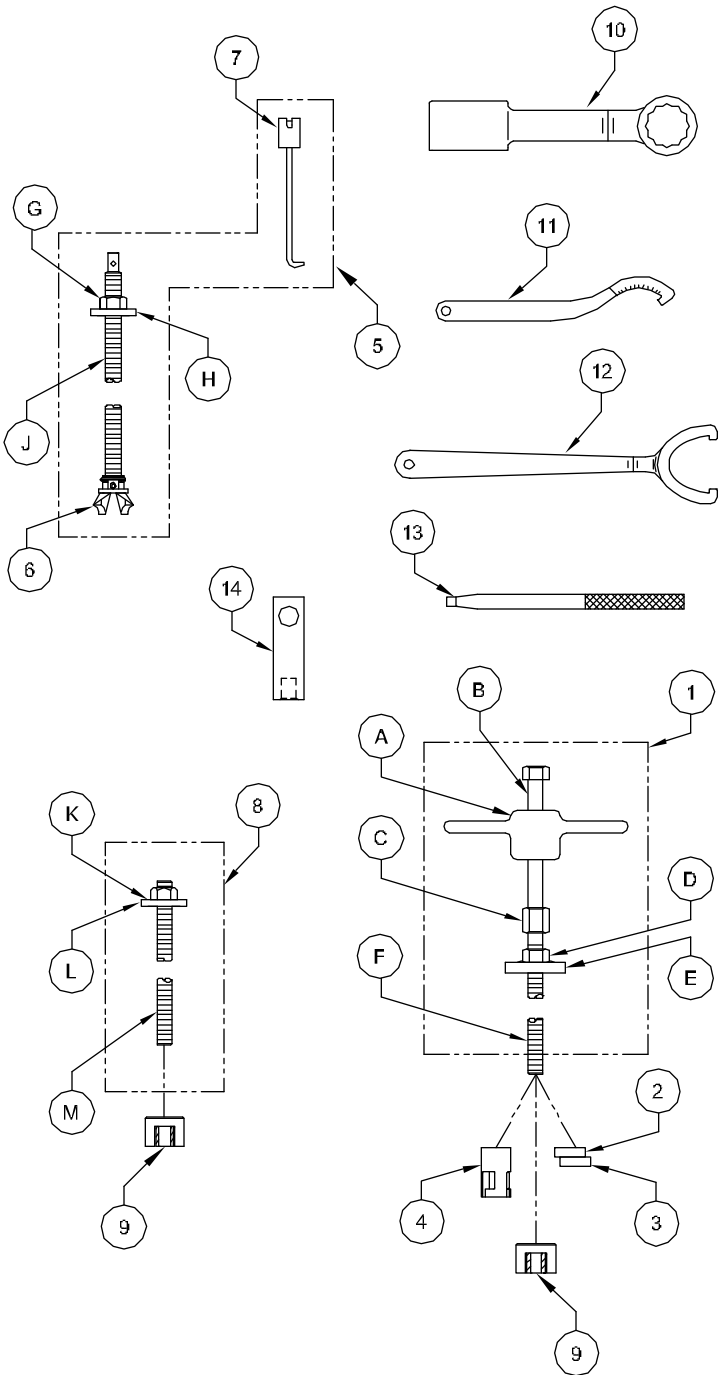
BILL OF MATERIAL

17

NOV NATIONAL OILWELL VARCO
 HOUSTON, TEXAS, U.S.A. ENGINEERING, TULSA, OKLAHOMA

TITLE:
 ASSEMBLY, VALVE
 (POLYURETHANE SEAL)
 11D-2H

DWG No.: 118745 SCALE: NONE REV A SHT.: 1 OF 1



1	AAB-118105-263	SPHERICAL VALVE SEAT INSTALLATION TOOL	15
1	002-014417-400	PLUNGER WRENCH - (11D-2H/ P100H)	14
1	AAB-030420-274	WRENCH, GLAND NUT (STAINLESS STEEL)	13
1	002-009388-351	WRENCH, GLAND NUT (DUCTILE IRON NUT)	12
1	002-014098-352	WRENCH, GLAND NUT (BRONZE NUT)	11
1	001-027568-999	WRENCH, VALVE COVER (HAMMER WRENCH)	10
1	002-021268-400	CAGE WRENCH - (11D-2H/ P100H) OPTIONAL	9
1	008-028546-043	CAGE WRENCH - (F/ SEVER DUTY) OPTIONAL	9
1	001-022028-271	PULLER STEM	M
1	001-022029-231	STRONG BACK	L
1	133-100008-243	HOLD DOWN NUT	K
1	002-010359-220	ASSEMBLY, VALVE SEAT PULLER - (11D-2/ P100)	8
1	1790034	RETRIEVER	7
1	181259200	PULLER HEAD	6
1	20-220-329	PULLER STEM	J
1	20-220-330	STRONG BACK	H
1	75510308	HOLD DOWN NUT	G
1	181259201	ASSEMBLY, VALVE SEAT PULLER - (SPHERICAL)	5
1	001-011954-274	PULLER HEAD	4
1	008-028546-004	PULLER STEM	F
1	008-028546-034	STRONG BACK	E
1	008-028546-012	HOLD DOWN NUT	D
1	008-028546-015	ADAPTER NUT	C
1	008-028546-002	BUMPER STEM	B
1	008-028546-001	BUMPER	A
1	998-016202-092	ASSEMBLY, VALVE SEAT PULLER - (DISC VALVE)	1
1	008-028546-026	PULLER GUIDE	3
1	008-028546-018	ECCENTRIC, PULLER	2
1	008-028546-003	PULLER STEM	F
1	008-028546-034	STRONG BACK	E
1	008-028546-011	HOLD DOWN NUT	D
1	008-028546-014	ADAPTER NUT	C
1	008-028546-002	BUMPER STEM	B
1	008-028546-001	BUMPER	A
1	998-016202-091	ASSEMBLY, VALVE SEAT PULLER - (SEVERE DUTY)	1
REQ'D	Part No.	DESCRIPTION	ITEM

BILL OF MATERIAL



HOUSTON, TEXAS, U.S.A.

ENGINEERING, TULSA, OKLAHOMA

TITLE:

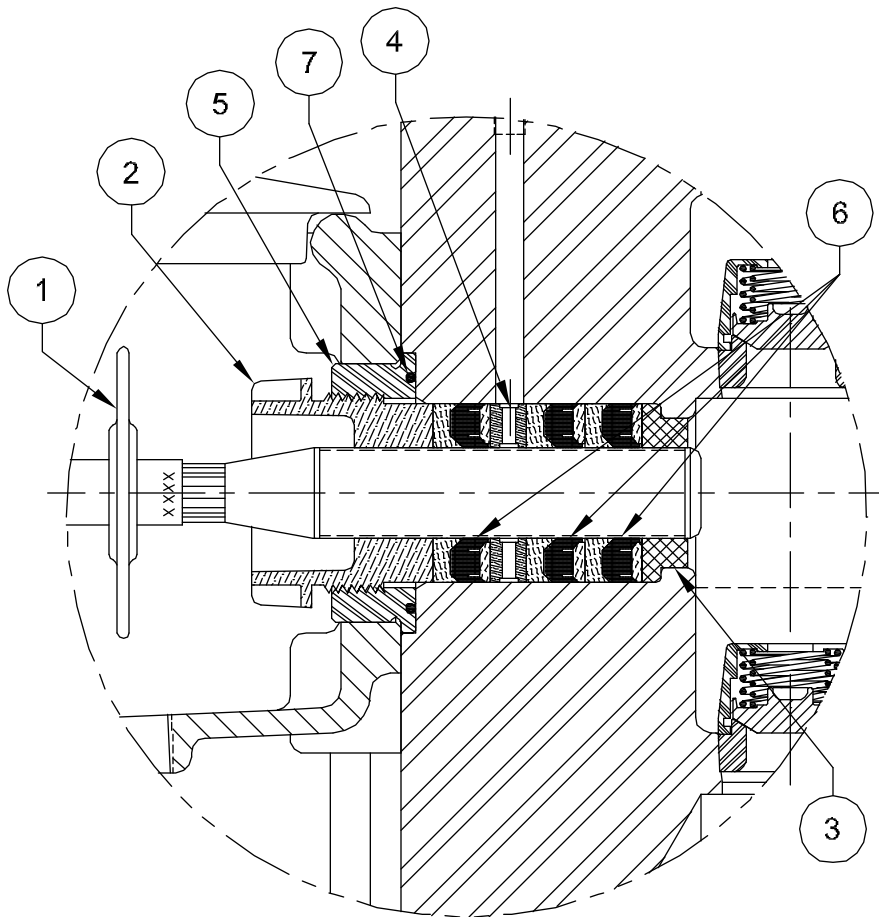
TOOL KIT
11D-2 (P100A)

DWG No.: 117618

SCALE: NONE

REV B

SHT.: 1 OF 1



2	110-000234-201	O-RING		7
	223-112214-477		858	
	223-112214-374		845	
2	223-112214-370	PACKING	838	6
	001-028512-278		(SS)	
	001-028512-236		(STL)	
2	001-028512-313	ADAPTER	(BRZ)	5
	001-011264-575		(SS)	
	001-011264-235		(STL)	
2	001-011264-302	LANTERN RING	(BRZ)	4
	001-011175-575		(SS)	
	001-011175-235		(STL)	
2	001-011175-302	THROAT BUSHING	(BRZ)	3
	AEC-115784-E16		(SS)	
	001-011239-351		(DI)	
2	001-011239-310	GLAND NUT	(BRZ)	2
2	001-008910-201	BAFFLE DISC		1
(1-1/2" PLUNGER)				
REQ'D	Part No.	DESCRIPTION		ITEM

BILL OF MATERIAL

NOTE

1) FOR ALL " J " STYLE PACKING SEE DRAWING 118737, SHEETS 1 THRU 5.

19

NOV NATIONAL OILWELL VARCO

HOUSTON, TEXAS, U.S.A.

ENGINEERING, TULSA, OKLAHOMA

TITLE:

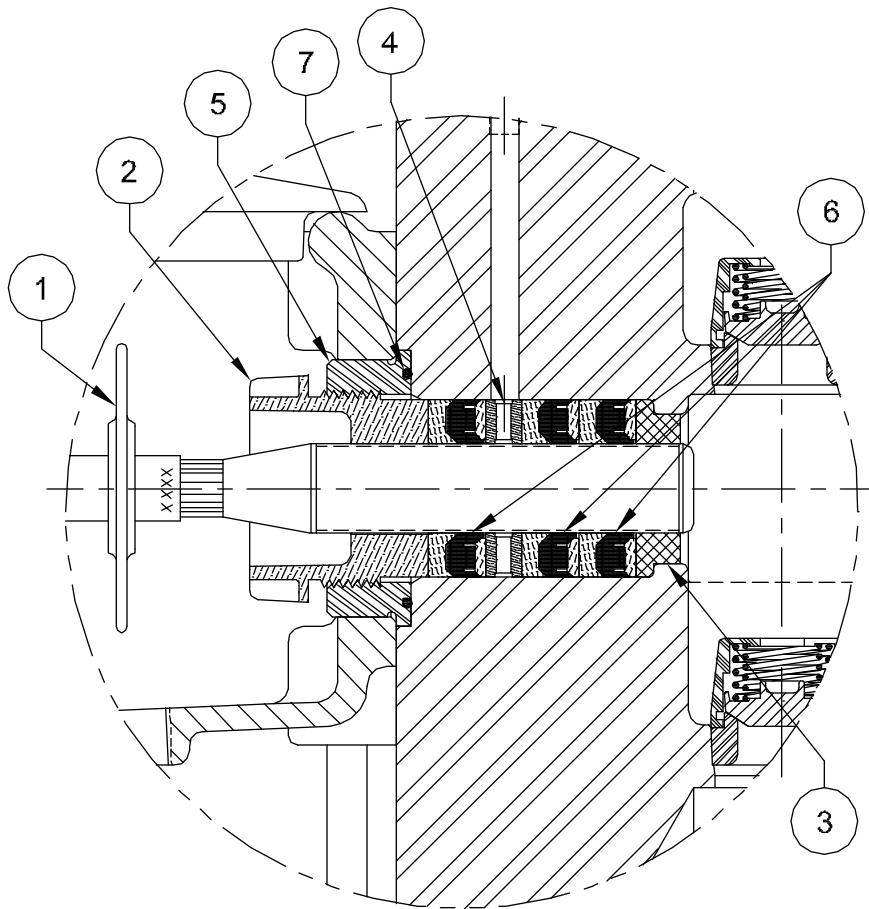
ASSEMBLY, PLUNGER KIT
"J"-STYLE PKG, 1-1/2" THRU 2" PLUNGER
11D-2L

DWG No.: 118737

SCALE: NONE

REV A

SHT.: 1 OF 5



2	110-000234-201	O-RING		7
	223-158214-477		858	
	223-158214-374		845	
2	223-158214-370	PACKING	838	6
	001-028512-278		(SS)	
	001-028512-236		(STL)	
2	001-028512-313	ADAPTER	(BRZ)	5
	001-011265-575		(SS)	
	001-011265-235		(STL)	
2	001-011265-302	LANTERN RING	(BRZ)	4
	001-011178-575		(SS)	
	001-011178-235		(STL)	
2	001-011178-302	THROAT BUSHING	(BRZ)	3
	ADC-115784-E16		(SS)	
	001-011240-351		(DI)	
2	001-011240-310	GLAND NUT	(BRZ)	2
2	001-008910-201	BAFFLE DISC		1
(1-5/8" PLUNGER)				
REQ'D	Part No.	DESCRIPTION		ITEM
BILL OF MATERIAL				

NOTE

1) FOR ALL " J " STYLE PACKING SEE DRAWING 118737, SHEETS 1 THRU 5.

20

NOV NATIONAL OILWELL VARCO

HOUSTON, TEXAS, U.S.A.

ENGINEERING, TULSA, OKLAHOMA

TITLE:

ASSEMBLY, PLUNGER KIT
"J"-STYLE PKG, 1-1/2" THRU 2" PLUNGER
11D-2L

DWG No.:

118737

SCALE:

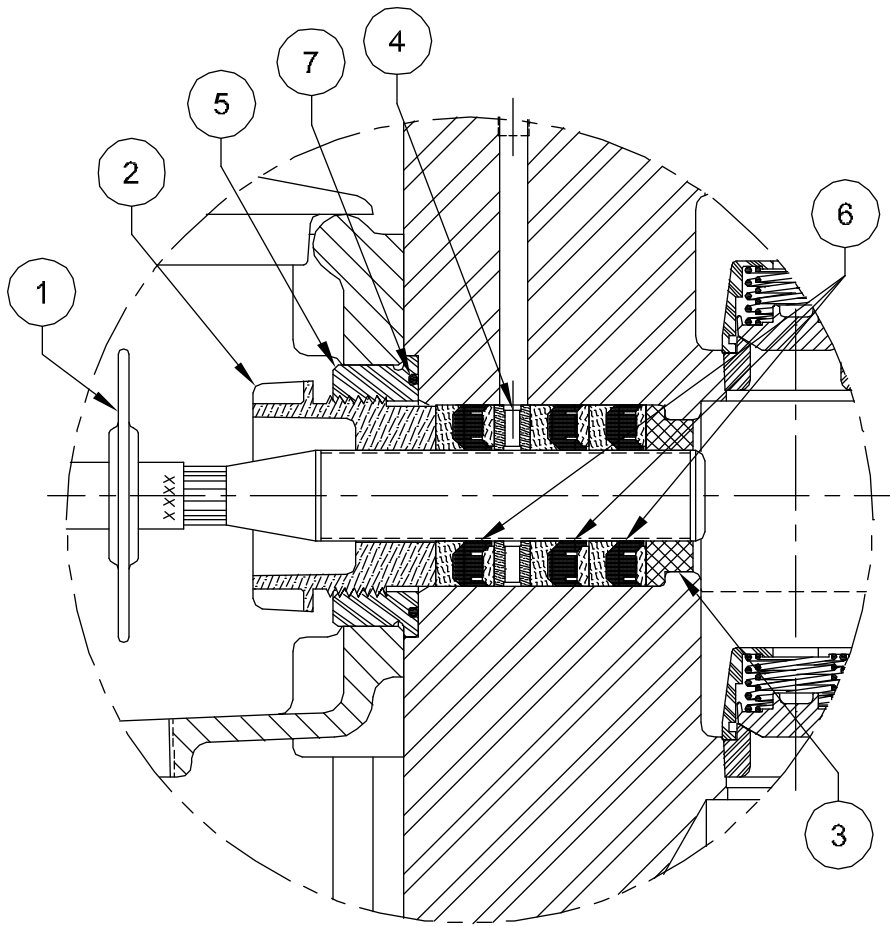
NONE

REV

A

SHT.:

2 OF 5



2	110-000234-201	O-RING		7
	223-134178-477		858	
	223-134178-374		845	
2	223-134178-370	PACKING	838	6
	001-028512-278		(SS)	
	001-028512-236		(STL)	
2	001-028512-313	ADAPTER	(BRZ)	5
	001-011266-575		(SS)	
	001-011266-235		(STL)	
2	001-011266-302	LANTERN RING	(BRZ)	4
	001-011180-575		(SS)	
	001-011180-235		(STL)	
2	001-011180-302	THROAT BUSHING	(BRZ)	3
	ACC-115784-E16		(SS)	
	001-011241-351		(DI)	
2	001-011241-310	GLAND NUT	(BRZ)	2
2	001-008910-201	BAFFLE DISC		1
(1-3/4" PLUNGER)				
REQ'D	Part No.	DESCRIPTION	ITEM	
BILL OF MATERIAL				

NOTE

1) FOR ALL " J " STYLE PACKING SEE DRAWING 118737, SHEETS 1 THRU 5.

21

NOV NATIONAL OILWELL VARCO

HOUSTON, TEXAS, U.S.A.

ENGINEERING, TULSA, OKLAHOMA

TITLE:

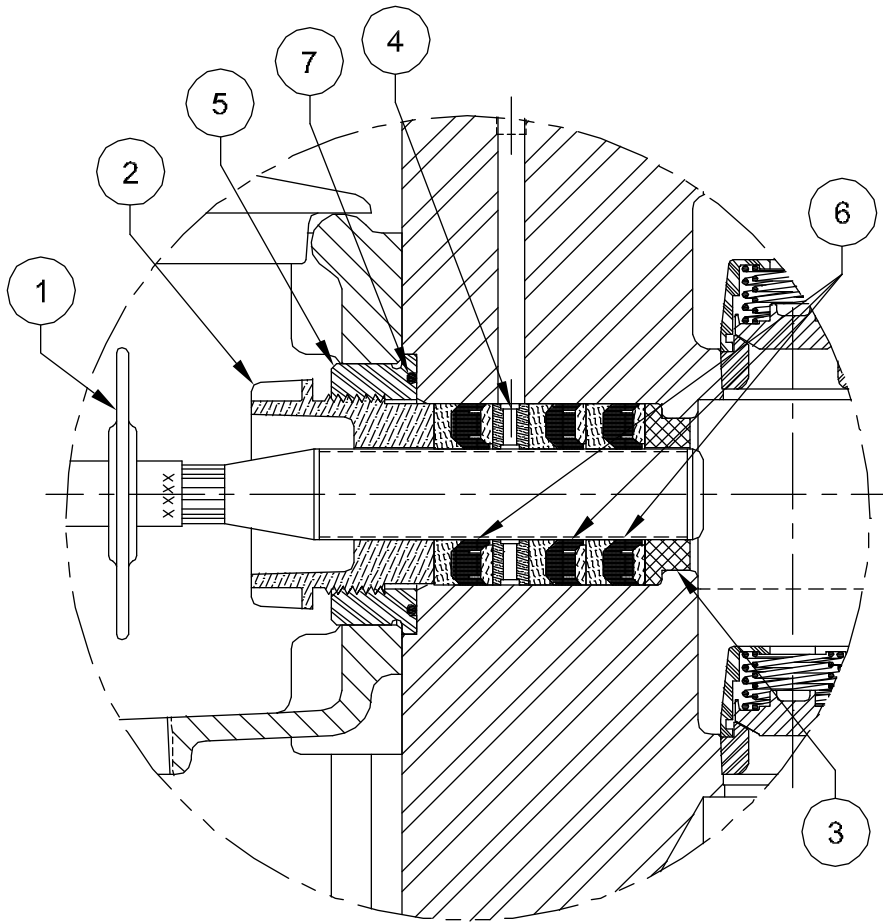
ASSEMBLY, PLUNGER KIT
"J"-STYLE PKG, 1-1/2" THRU 2" PLUNGER
11D-2L

DWG No.: 118737

SCALE: NONE

REV A

SHT.: 3 OF 5



2	110-000234-201	O-RING		7
	223-178214-477		858	
	223-178214-374		845	
2	223-178214-370	PACKING	838	6
	001-028512-278		(SS)	
	001-028512-236		(STL)	
2	001-028512-313	ADAPTER	(BRZ)	5
	001-011267-575		(SS)	
	001-011267-235		(STL)	
2	001-011267-302	LANTERN RING	(BRZ)	4
	001-011181-575		(SS)	
	001-011181-235		(STL)	
2	001-011181-302	THROAT BUSHING	(BRZ)	3
	ABC-115784-E16		(SS)	
	001-011242-351		(DI)	
2	001-011242-310	GLAND NUT	(BRZ)	2
2	001-008910-201	BAFFLE DISC		1

(1-7/8" PLUNGER)

REQ'D	Part No.	DESCRIPTION	ITEM
BILL OF MATERIAL			

NOTE

1) FOR ALL " J " STYLE PACKING SEE DRAWING 118737, SHEETS 1 THRU 5.



HOUSTON, TEXAS, U.S.A.

ENGINEERING, TULSA, OKLAHOMA

TITLE:

ASSEMBLY, PLUNGER KIT
"J"-STYLE PKG, 1-1/2" THRU 2" PLUNGER
11D-2L

DWG No.:

118737

SCALE:

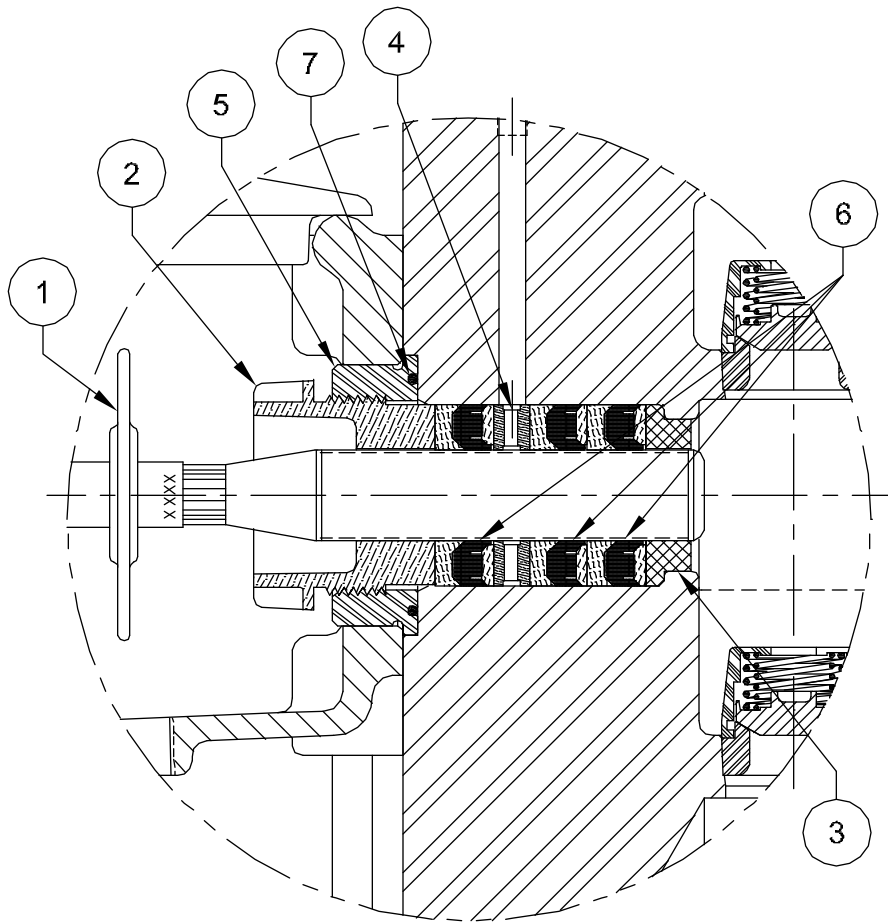
NONE

REV

A

SHT.:

4 OF 5



2	110-000234-201	O-RING		7
	223-200214-477		858	
	223-200214-374		845	
2	223-200214-370	PACKING	838	6
	001-028512-278		(SS)	
	001-028512-236		(STL)	
2	001-028512-313	ADAPTER	(BRZ)	5
	001-028668-575		(SS)	
	001-028668-235		(STL)	
2	001-028668-302	LANTERN RING	(BRZ)	4
	001-028510-575		(SS)	
	001-028510-235		(STL)	
2	001-028510-302	THROAT BUSHING	(BRZ)	3
	AAC-115784-E16		(SS)	
	001-000497-351		(DI)	
2	001-000497-310	GLAND NUT	(BRZ)	2
2	001-008910-201	BAFFLE DISC		1
(2" PLUNGER)				
REQ'D	Part No.	DESCRIPTION		ITEM
BILL OF MATERIAL				

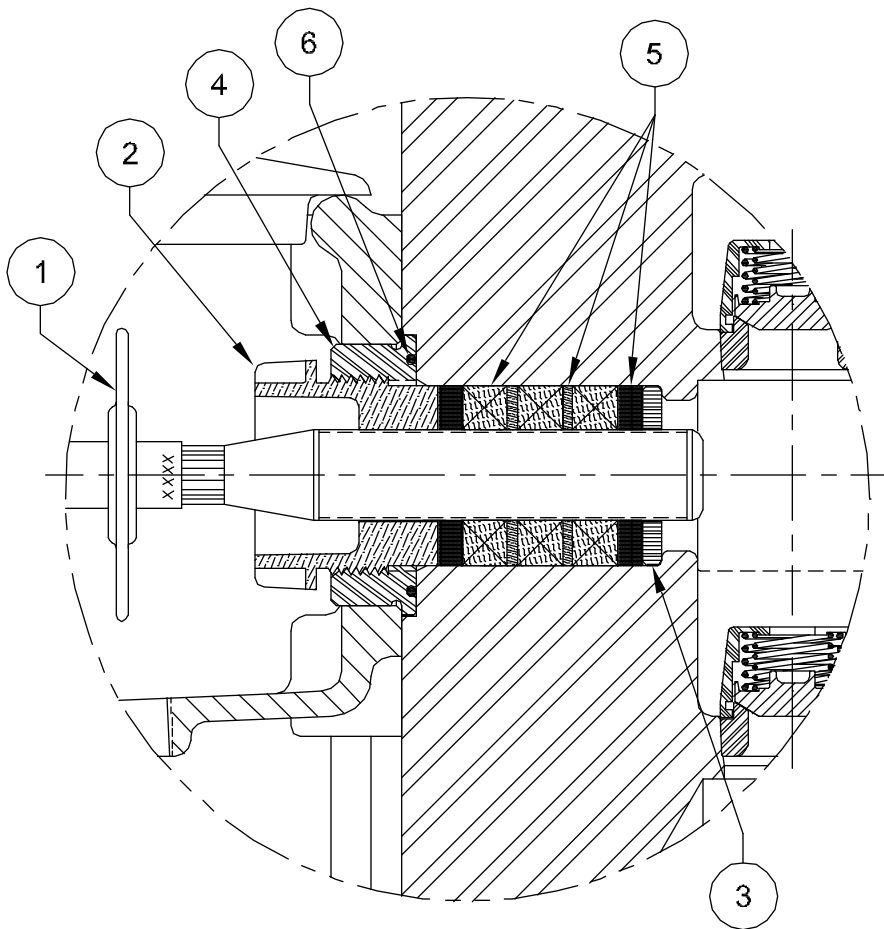
NOTE

1) FOR ALL " J " STYLE PACKING SEE DRAWING 118737, SHEETS 1 THRU 5.

NOV NATIONAL OILWELL VARCO
 HOUSTON, TEXAS, U.S.A. ENGINEERING, TULSA, OKLAHOMA

TITLE:
ASSEMBLY, PLUNGER KIT
"J"-STYLE PKG, 1-1/2" THRU 2" PLUNGER
11D-2L

DWG No.:	118737	SCALE:	NONE	REV:	A	SHT.:	5 OF 5
----------	--------	--------	------	------	---	-------	--------



2	110-000234-201	O-RING		6
	453-112300-458		8921-K	
	453-112300-339		249	
	453-112300-337		241	
2	453-112300-395	PACKING	238	5
	001-028512-278		(SS)	
	001-028512-236		(STL)	
2	001-028512-313	ADAPTER	(BRZ)	4
	001-011175-575		(SS)	
	001-011175-235		(STL)	
2	001-011175-302	THROAT BUSHING	(BRZ)	3
	AEC-115784-E16		(SS)	
	001-011239-351		(DI)	
2	001-011239-310	GLAND NUT	(BRZ)	2
2	001-008910-201	BAFFLE DISC		1
(1-1/2" PLUNGER)				
REQ'D	Part No.	DESCRIPTION		ITEM
dda				

NOTE

1) FOR ALL " BRAID STYLE " PACKING SEE DRAWING 118738, SHEETS 1 THRU 5.

24

NOV NATIONAL OILWELL VARCO

HOUSTON, TEXAS, U.S.A.

ENGINEERING, TULSA, OKLAHOMA

TITLE:

ASSEMBLY, PLUNGER KIT
BRAID STYLE PKG, 1-1/2" THRU 2" PLUNGER
11D-2L

DWG No.:

118738

SCALE:

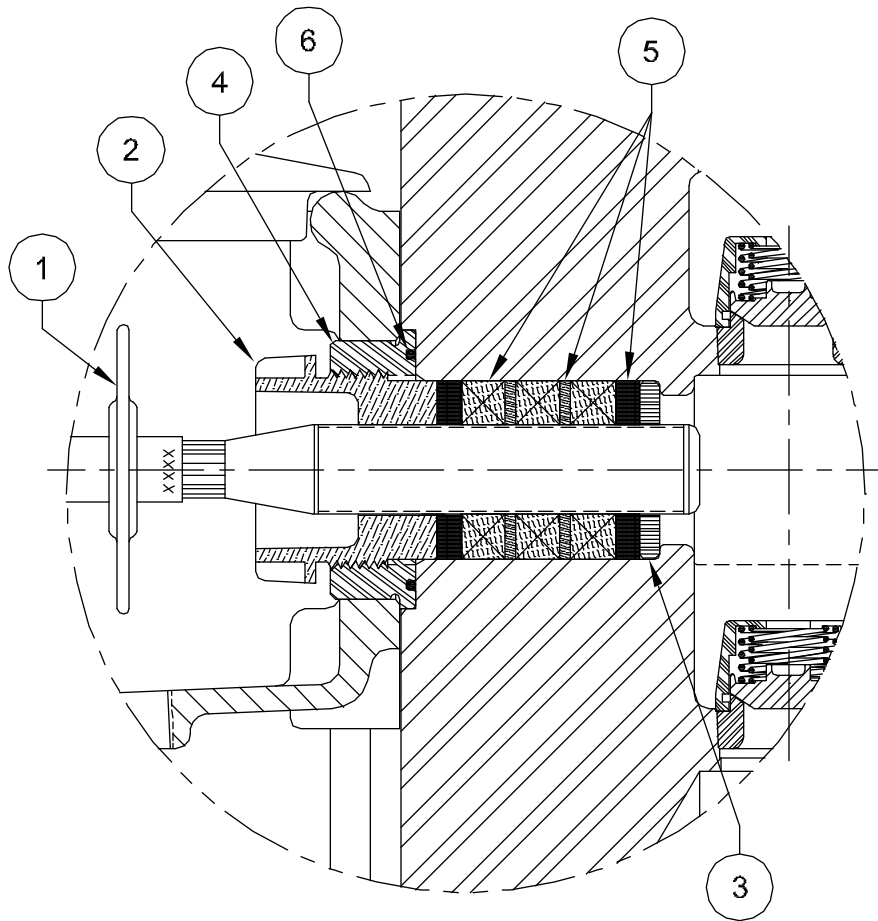
NONE

REV

A

SHT.:

1 OF 5



2	110-000234-201	O-RING	6
	453-158293-458		8921-K
	453-158293-339		249
	453-158293-337		241
2	453-158293-395	PACKING	238
	001-028512-278		(SS)
	001-028512-236		(STL)
2	001-028512-313	ADAPTER	(BRZ)
	001-011178-575		(SS)
	001-011178-235		(STL)
2	001-011178-302	THROAT BUSHING	(BRZ)
	ADC-115784-E16		(SS)
	001-011240-351		(DI)
2	001-011240-310	GLAND NUT	(BRZ)
2	001-008910-201	BAFFLE DISC	1
(1-5/8" PLUNGER)			
REQ'D	Part No.	DESCRIPTION	ITEM
BILL OF MATERIAL			

NOTE

1) FOR ALL " BRAID STYLE " PACKING SEE DRAWING 118738, SHEETS 1 THRU 5.

NOV NATIONAL OILWELL VARCO

HOUSTON, TEXAS, U.S.A.

ENGINEERING, TULSA, OKLAHOMA

TITLE:

ASSEMBLY, PLUNGER KIT
BRAID STYLE PKG, 1-1/2" THRU 2" PLUNGER
11D-2L

DWG No.:

118738

SCALE:

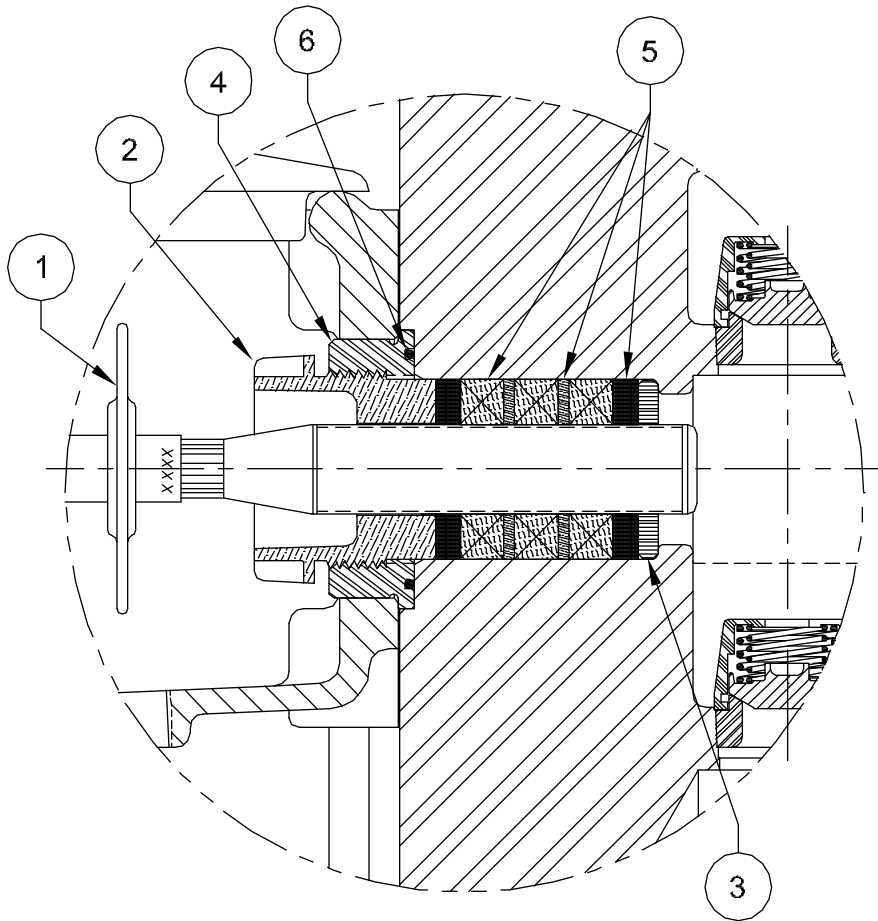
NONE

REV

A

SHT.:

2 OF 5



2	110-000234-201	O-RING		6
	453-134300-458		8921-K	
	453-134300-339		249	
	453-134300-337		241	
2	453-134300-395	PACKING	238	5
	001-028512-278		(SS)	
	001-028512-236		(STL)	
2	001-028512-313	ADAPTER	(BRZ)	4
	001-011180-575		(SS)	
	001-011180-235		(STL)	
2	001-011180-302	THROAT BUSHING	(BRZ)	3
	ACC-115784-E16		(SS)	
	001-011241-351		(DI)	
2	001-011241-310	GLAND NUT	(BRZ)	2
2	001-008910-201	BAFFLE DISC		1
(1-3/4" PLUNGER)				
REQ'D	Part No.	DESCRIPTION		ITEM
BILL OF MATERIAL				

NOTE

1) FOR ALL " BRAID STYLE " PACKING SEE DRAWING 118738, SHEETS 1 THRU 5.

NOV NATIONAL OILWELL VARCO

HOUSTON, TEXAS, U.S.A.

ENGINEERING, TULSA, OKLAHOMA

TITLE:

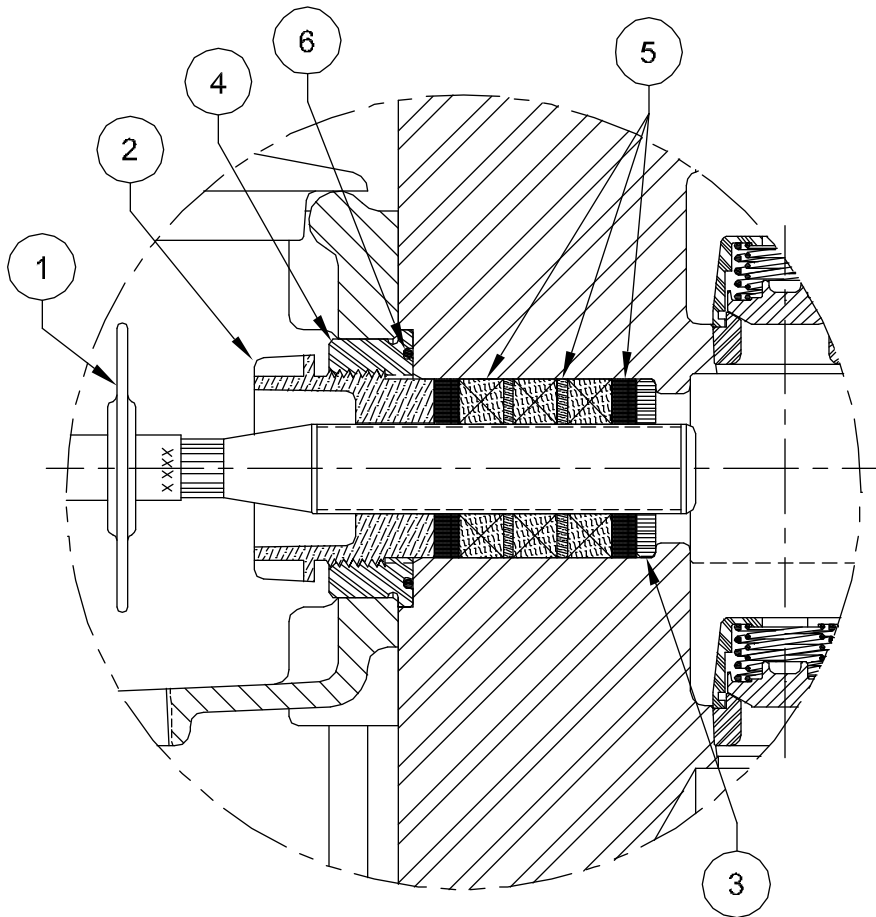
ASSEMBLY, PLUNGER KIT
BRAID STYLE PKG, 1-1/2" THRU 2" PLUNGER
11D-2L

DWG No.: 118738

SCALE: NONE

REV A

SHT.: 3 OF 5



2	110-000234-201	O-RING		6
	453-178293-458		8921-K	
	453-178293-339		249	
	453-178293-337		241	
2	453-178293-395	PACKING	238	5
	001-028512-278		(SS)	
	001-028512-236		(STL)	
2	001-028512-313	ADAPTER	(BRZ)	4
	001-011181-575		(SS)	
	001-011181-235		(STL)	
2	001-011181-302	THROAT BUSHING	(BRZ)	3
	ABC-115784-E16		(SS)	
	001-011242-351		(DI)	
2	001-011242-310	GLAND NUT	(BRZ)	2
2	001-008910-201	BAFFLE DISC		1
(1-7/8" PLUNGER)				
REQ'D	Part No.	DESCRIPTION		ITEM
BILL OF MATERIAL				

NOTE

1) FOR ALL " BRAID STYLE " PACKING SEE DRAWING 118738, SHEETS 1 THRU 5.

27

NOV NATIONAL OILWELL VARCO

HOUSTON, TEXAS, U.S.A.

ENGINEERING, TULSA, OKLAHOMA

TITLE:

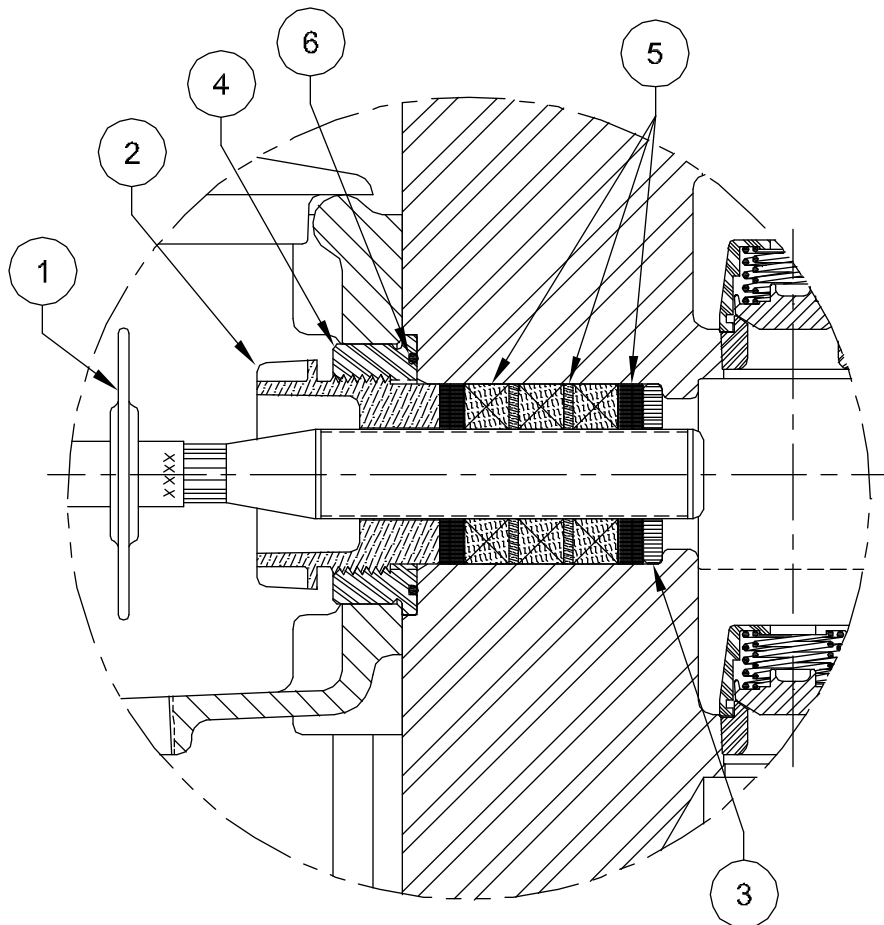
ASSEMBLY, PLUNGER KIT
BRAID STYLE PKG, 1-1/2" THRU 2" PLUNGER
11D-2L

DWG No.: 118738

SCALE: NONE

REV: A

SHT.: 4 OF 5



2	110-000234-201	O-RING		6
	453-200258-458		8921-K	
	453-200258-339		249	
	453-200258-337		241	
2	453-200258-395	PACKING	238	5
	001-028512-278		(SS)	
	001-028512-236		(STL)	
2	001-028512-313	ADAPTER	(BRZ)	4
	001-028510-575		(SS)	
	001-028510-235		(STL)	
2	001-028510-302	THROAT BUSHING	(BRZ)	3
	AAC-115784-E16		(SS)	
	001-000497-351		(DI)	
2	001-000497-310	GLAND NUT	(BRZ)	2
2	001-008910-201	BAFFLE DISC		1
(2" PLUNGER)				
REQ'D	Part No.	DESCRIPTION		ITEM
BILL OF MATERIAL				

NOTE

- 1) FOR ALL " BRAID STYLE " PACKING SEE DRAWING 118738, SHEETS 1 THRU 5.

NOV NATIONAL OILWELL VARCO

HOUSTON, TEXAS, U.S.A.

ENGINEERING, TULSA, OKLAHOMA

TITLE:

ASSEMBLY, PLUNGER KIT
BRAID STYLE PKG, 1-1/2" THRU 2" PLUNGER
11D-2L

DWG No.:

118738

SCALE:

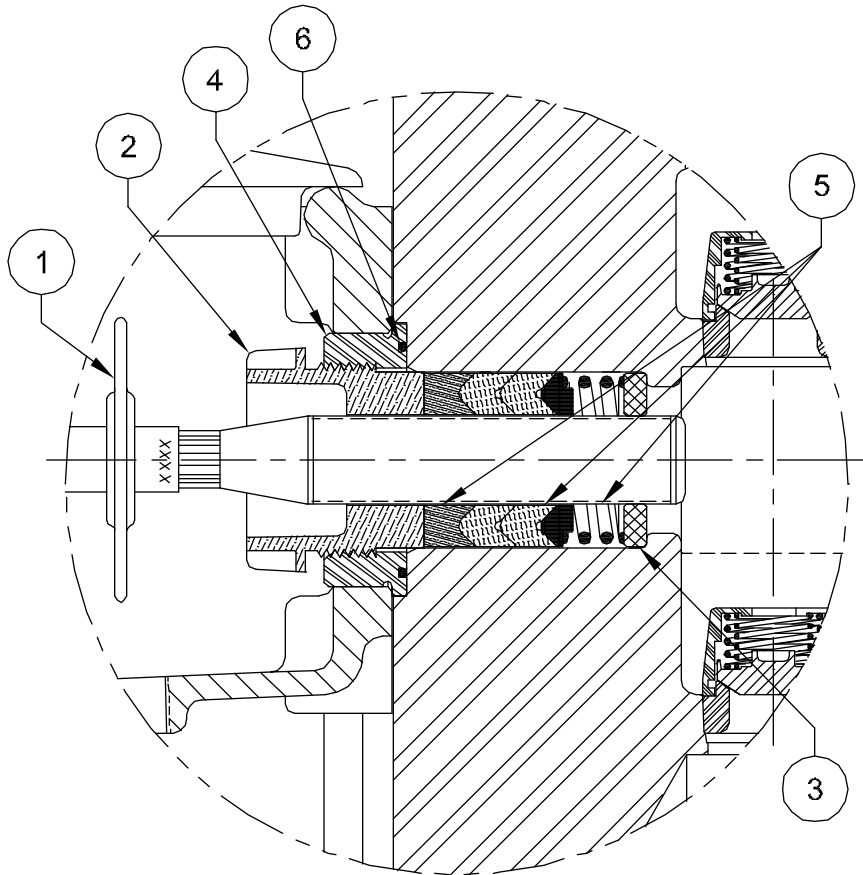
NONE

REV

A

SHT.:

5 OF 5



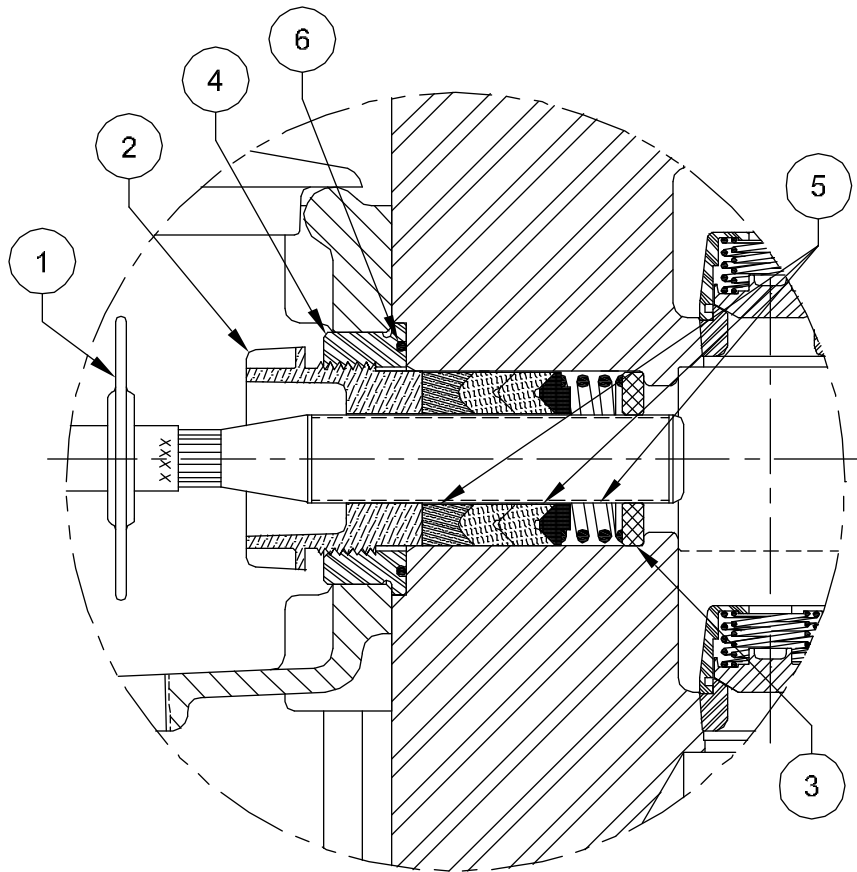
2	110-000234-201	O-RING		6
	222-112231-340	PACKING	1068-4	5
	001-028512-278		(SS)	
	001-028512-236		(STL)	
2	001-028512-313	ADAPTER	(BRZ)	4
	001-011175-575		(SS)	
	001-011175-235		(STL)	
2	001-011175-302	THROAT BUSHING	(BRZ)	3
	AEC-115784-E16		(SS)	
	001-011239-351		(DI)	
2	001-011239-310	GLAND NUT	(BRZ)	2
2	001-008910-201	BAFFLE DISC		1
(1-1/2" PLUNGER)				
REQ'D	Part No.	DESCRIPTION		ITEM
dda				

NOTE

- 1) FOR ALL " 1068-4 STYLE " PACKING SEE DRAWING 118739, SHEETS 1 THRU 5.

29

NOV NATIONAL OILWELL VARCO			
HOUSTON, TEXAS, U.S.A.		ENGINEERING, TULSA, OKLAHOMA	
TITLE:			
ASSEMBLY, PLUNGER KIT 1068-4 PACKING, 1-1/2" THRU 2" PLUNGER 11D-2L			
DWG No.:	SCALE:	REV	SHT.:
118739	NONE	A	1 OF 5



2	110-000234-201	O-RING		6
2	222-158231-340	PACKING	1068-4	5
	001-028512-278		(SS)	
	001-028512-236		(STL)	
2	001-028512-313	ADAPTER	(BRZ)	4
	001-011178-575		(SS)	
	001-011178-235		(STL)	
2	001-011178-302	THROAT BUSHING	(BRZ)	3
	ADC-115784-E16		(SS)	
	001-011240-351		(DI)	
2	001-011240-310	GLAND NUT	(BRZ)	2
2	001-008910-201	BAFFLE DISC		1

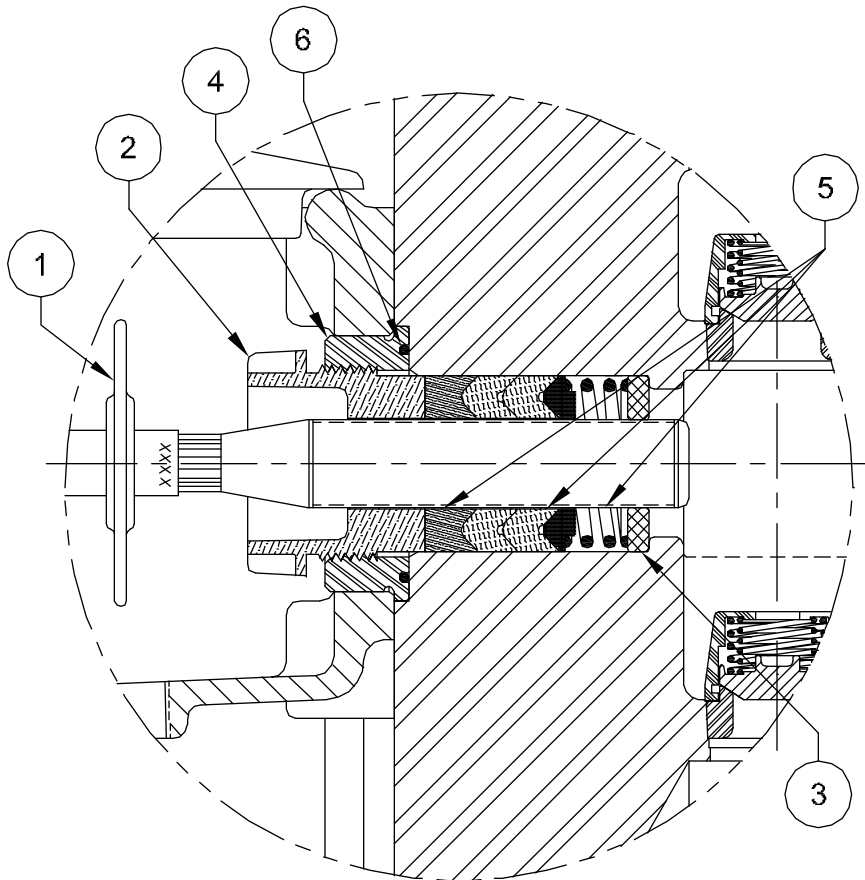
(1-5/8" PLUNGER)

REQ'D	Part No.	DESCRIPTION	ITEM
BILL OF MATERIAL			

NOTE

1) FOR ALL " 1068-4 STYLE " PACKING SEE DRAWING 118739, SHEETS 1 THRU 5.

NOV NATIONAL OILWELL VARCO			
HOUSTON, TEXAS, U.S.A.		ENGINEERING, TULSA, OKLAHOMA	
TITLE:			
ASSEMBLY, PLUNGER KIT 1068-4 PACKING, 1-1/2" THRU 2" PLUNGER 11D-2L			
DWG No.:	SCALE:	REV	SHT.:
118739	NONE	A	2 OF 5



2	110-000234-201	O-RING		6
2	222-134231-340	PACKING	1068-4	5
	001-028512-278		(SS)	
	001-028512-236		(STL)	
2	001-028512-313	ADAPTER	(BRZ)	4
	001-011180-575		(SS)	
	001-011180-235		(STL)	
2	001-011180-302	THROAT BUSHING	(BRZ)	3
	ACC-115784-E16		(SS)	
	001-011241-351		(DI)	
2	001-011241-310	GLAND NUT	(BRZ)	2
2	001-008910-201	BAFFLE DISC		1

(1-3/4" PLUNGER)

REQ'D	Part No.	DESCRIPTION		ITEM

BILL OF MATERIAL

NOTE

1) FOR ALL " 1068-4 STYLE " PACKING SEE DRAWING 118739, SHEETS 1 THRU 5.



HOUSTON, TEXAS, U.S.A.

ENGINEERING, TULSA, OKLAHOMA

TITLE:

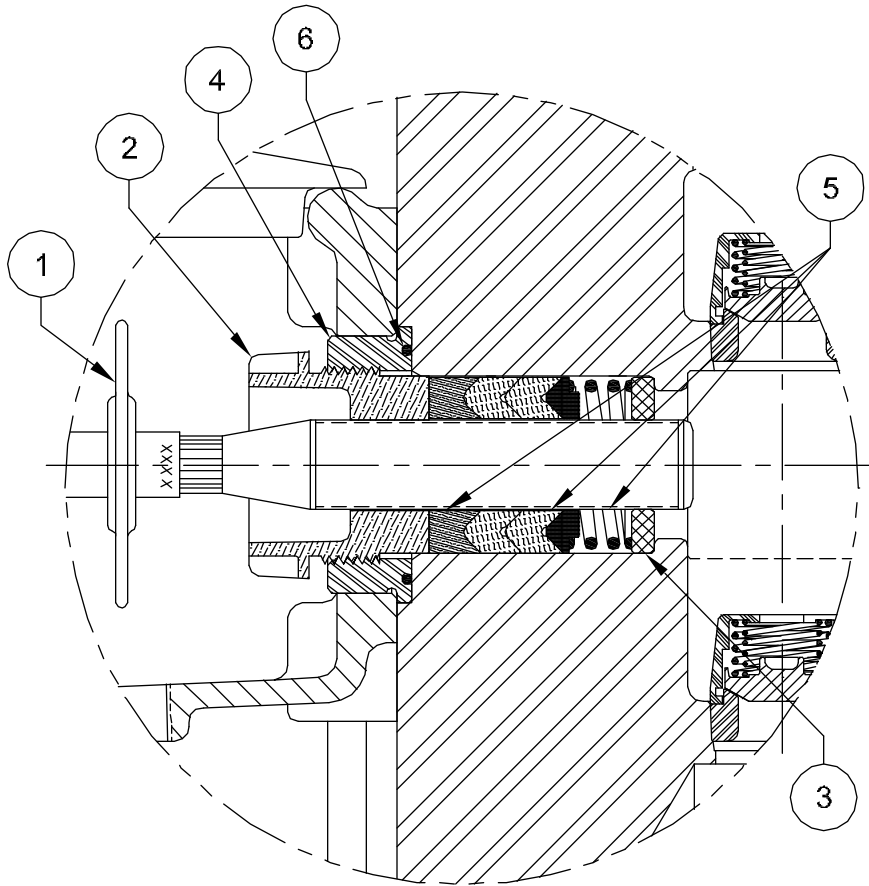
ASSEMBLY, PLUNGER KIT
 1068-4 PACKING, 1-1/2" THRU 2" PLUNGER
 11D-2L

DWG No.: 118739

SCALE: NONE

REV A

SH1.: 3 OF 5



2	110-000234-201	O-RING		6
2	222-178231-340	PACKING	1068-4	5
	001-028512-278		(SS)	
	001-028512-236		(STL)	
2	001-028512-313	ADAPTER	(BRZ)	4
	001-011181-575		(SS)	
	001-011181-235		(STL)	
2	001-011181-302	THROAT BUSHING	(BRZ)	3
	ABC-115784-E16		(SS)	
	001-011242-351		(DI)	
2	001-011242-310	GLAND NUT	(BRZ)	2
2	001-008910-201	BAFFLE DISC		1

(1-7/8" PLUNGER)

REQ'D	Part No.	DESCRIPTION	ITEM
BILL OF MATERIAL			

NOTE

- 1) FOR ALL " 1068-4 STYLE " PACKING SEE DRAWING 118739, SHEETS 1 THRU 5.



HOUSTON, TEXAS, U.S.A.

ENGINEERING, TULSA, OKLAHOMA

TITLE:

ASSEMBLY, PLUNGER KIT
 1068-4 PACKING, 1-1/2" THRU 2" PLUNGER
 11D-2L

DWG No.:

118739

SCALE:

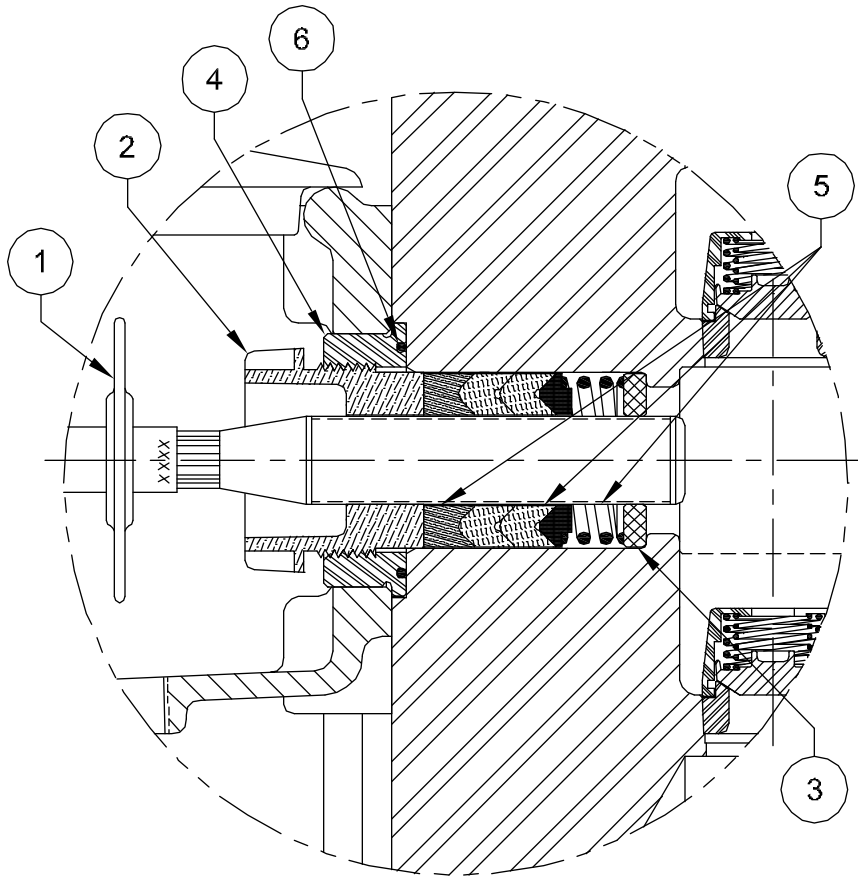
NONE

REV

A

SHT.:

4 of 5



2	110-000234-201	O-RING		6
2	222-200231-340	PACKING	1068-4	5
	001-028512-278		(SS)	
	001-028512-236		(STL)	
2	001-028512-313	ADAPTER	(BRZ)	4
	001-028510-575		(SS)	
	001-028510-235		(STL)	
2	001-028510-302	THROAT BUSHING	(BRZ)	3
	AAC-115784-E16		(SS)	
	001-000497-351		(DI)	
2	001-000497-310	GLAND NUT	(BRZ)	2
2	001-008910-201	BAFFLE DISC		1

(2" PLUNGER)

REQ'D	Part No.	DESCRIPTION	ITEM
BILL OF MATERIAL			

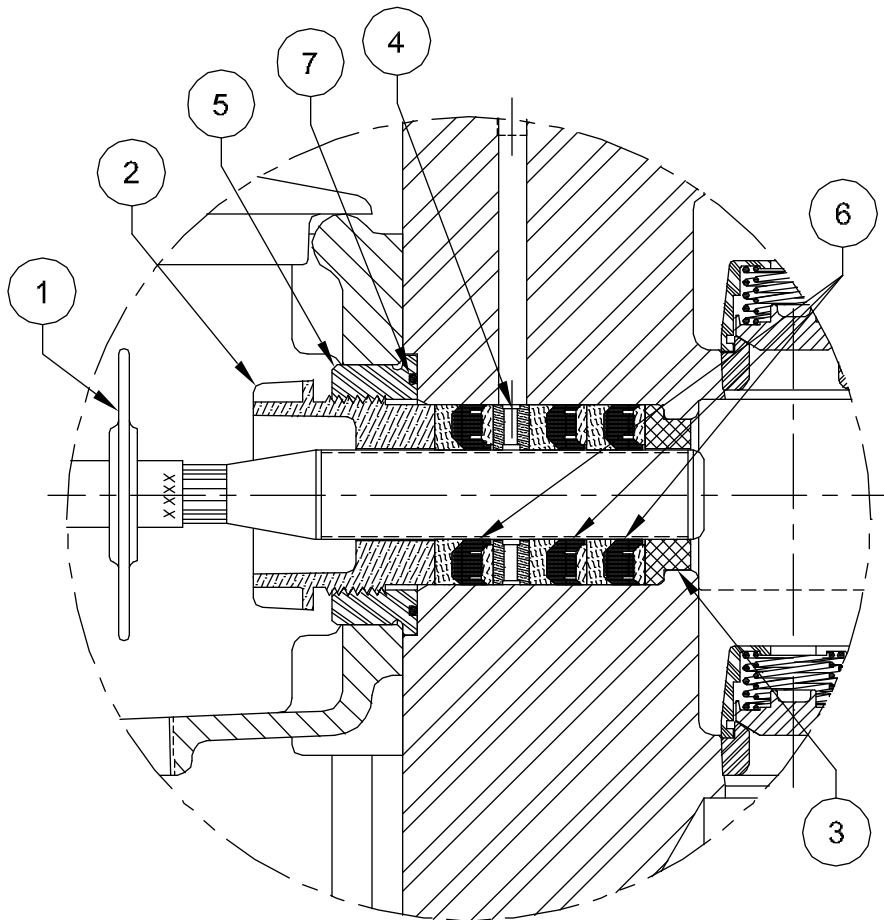
NOTE

1) FOR ALL " 1068-4 STYLE " PACKING SEE DRAWING 118739, SHEETS 1 THRU 5.

NOV NATIONAL OILWELL VARCO
 HOUSTON, TEXAS, U.S.A. ENGINEERING, TULSA, OKLAHOMA

TITLE:
 ASSEMBLY, PLUNGER KIT
 1068-4 PACKING, 1-1/2" THRU 2" PLUNGER
 11D-2L

DWG No.: 118739	SCALE: NONE	REV A	SHT.: 5 OF 5
-----------------	-------------	-------	--------------



2	110-000232-200	O-RING		7
	182-118214-477		858	
	182-118214-374		845	
2	182-118214-370	PACKING	838	6
	001-003948-278		(SS)	
	001-003948-236		(STL)	
2	001-003948-316	ADAPTER	(BRZ)	5
	001-011211-278		(SS)	
	001-011211-235		(STL)	
2	001-011211-302	LANTERN RING	(BRZ)	4
	001-010961-278		(SS)	
	001-010961-235		(STL)	
2	001-010961-302	THROAT BUSHING	(BRZ)	3
	AFC-013800-E16		(ST)	
	001-011227-351		(DI)	
2	001-011227-304	GLAND NUT	(BRZ)	2
2	001-008910-201	BAFFLE DISC		1
(1-1/8" PLUNGER)				
REQ'D	Part No.	DESCRIPTION		ITEM
BILL OF MATERIAL				

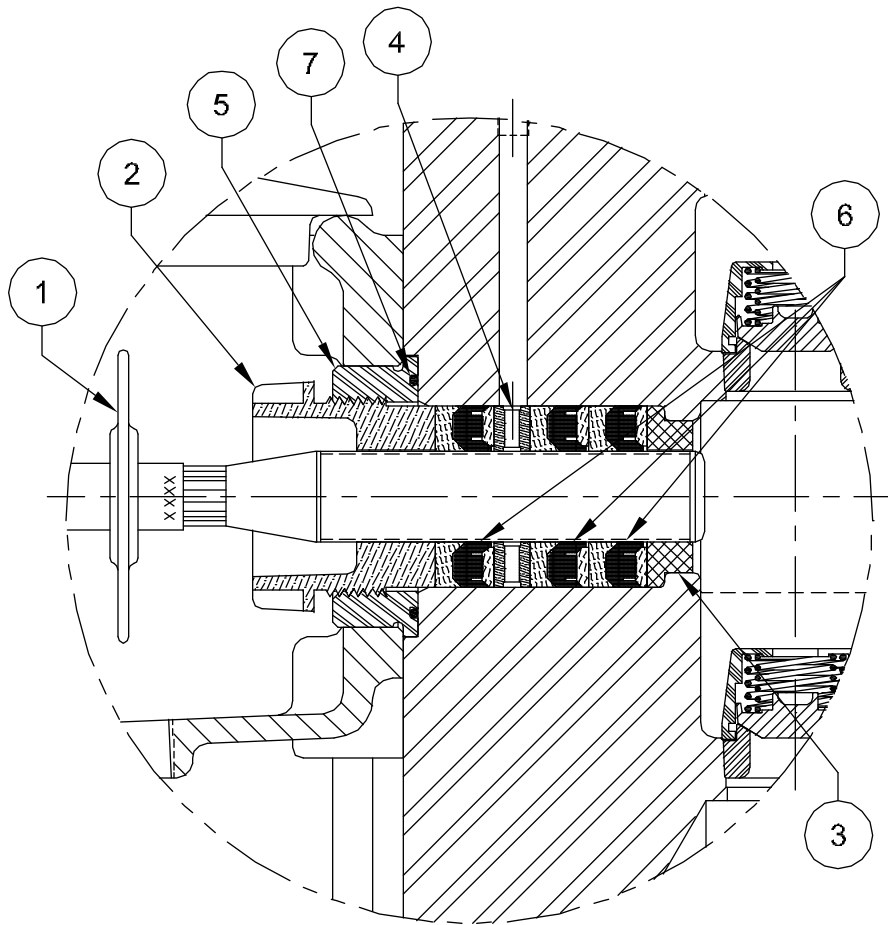
NOTE

1) FOR ALL " J " STYLE PACKING SEE DRAWING 117631, SHEETS 1 THRU 6.

NOV NATIONAL OILWELL VARCO
 HOUSTON, TEXAS, U.S.A. ENGINEERING, TULSA, OKLAHOMA

TITLE:
ASSEMBLY, PLUNGER KIT
"J"-STYLE PKG, 1-1/8" THRU 1-3/4" PLUNGER
11D-2M (P100A)

DWG No.: 117631	SCALE: NONE	REV B	SHT.: 1 of 6
--------------------	----------------	----------	-----------------



2	110-000232-200	O-RING		7
	182-114214-477		858	
	182-114214-374		845	
2	182-114214-370	PACKING	838	6
	001-003948-278		(SS)	
	001-003948-236		(STL)	
2	001-003948-316	ADAPTER	(BRZ)	5
	001-011212-278		(SS)	
	001-011212-235		(STL)	
2	001-011212-302	LANTERN RING	(BRZ)	4
	001-010950-278		(SS)	
	001-010950-235		(STL)	
2	001-010950-302	THROAT BUSHING	(BRZ)	3
	AEC-013800-E16		(SS)	
	001-011228-351		(DI)	
2	001-011228-304	GLAND NUT	(BRZ)	2
2	001-008910-201	BAFFLE DISC		1
(1-1/4" PLUNGER)				
REQ'D	Part No.	DESCRIPTION		ITEM
BILL OF MATERIAL				

NOTE

- 1) FOR ALL " J " STYLE PACKING SEE DRAWING 117631, SHEETS 1 THRU 6.

35

NOV NATIONAL OILWELL VARCO

HOUSTON, TEXAS, U.S.A.

ENGINEERING, TULSA, OKLAHOMA

TITLE:

ASSEMBLY, PLUNGER KIT
 "J"-STYLE PKG, 1-1/8" THRU 1-3/4" PLUNGER
 11D-2M (P100A)

DWG No.:

117631

SCALE:

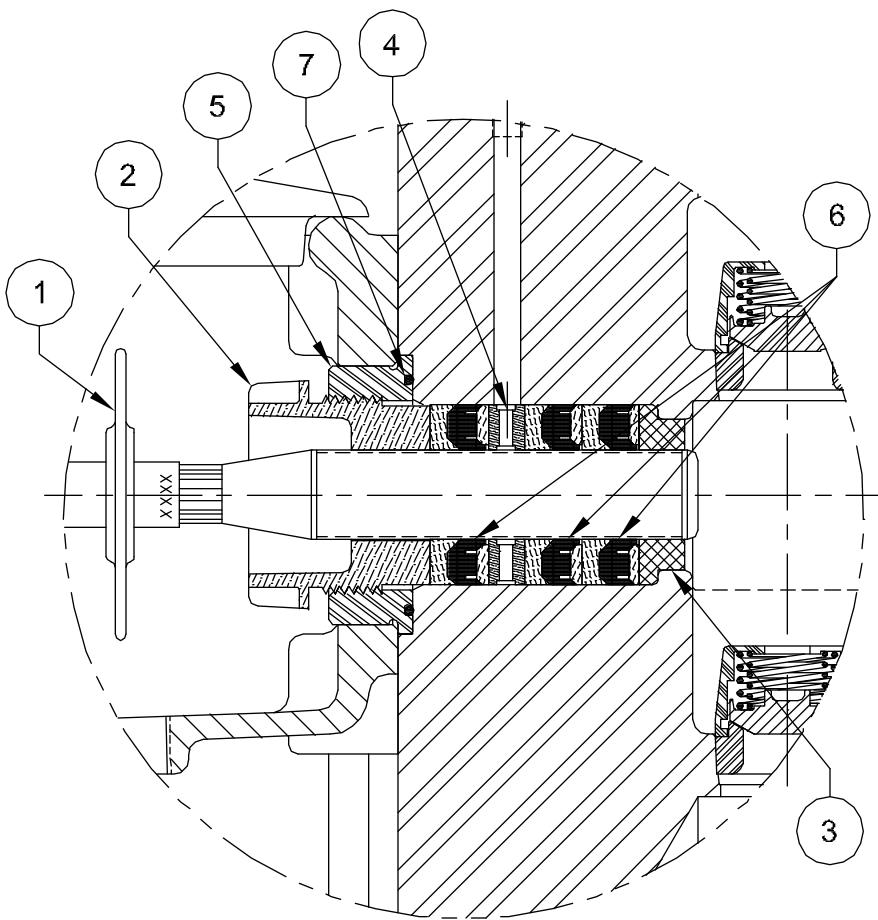
NONE

REV

B

SHT.:

2 OF 6



2	110-000232-200	O-RING		7
	182-138214-477		858	
	182-138214-374		845	
2	182-138214-370	PACKING	838	6
	001-003948-278		(SS)	
	001-003948-236		(STL)	
2	001-003948-316	ADAPTER	(BRZ)	5
	001-011221-278		(SS)	
	001-011221-235		(STL)	
2	001-011221-302	LANTERN RING	(BRZ)	4
	001-008913-278		(SS)	
	001-008913-235		(STL)	
2	001-008913-302	THROAT BUSHING	(BRZ)	3
	ADC-013800-E16		(SS)	
	001-011229-351		(DI)	
2	001-011229-304	GLAND NUT	(BRZ)	2
2	001-008910-201	BAFFLE DISC		1
(1-3/8" PLUNGER)				
REQ'D	Part No.	DESCRIPTION		ITEM
BILL OF MATERIAL				

NOTE

- 1) FOR ALL " J " STYLE PACKING SEE DRAWING 117631, SHEETS 1 THRU 6.

36

NOV NATIONAL OILWELL VARCO

HOUSTON, TEXAS, U.S.A.

ENGINEERING, TULSA, OKLAHOMA

TITLE:

ASSEMBLY, PLUNGER KIT
 "J"-STYLE PKG, 1-1/8" THRU 1-3/4" PLUNGER
 11D-2M (P100A)

DWG No.:

117631

SCALE:

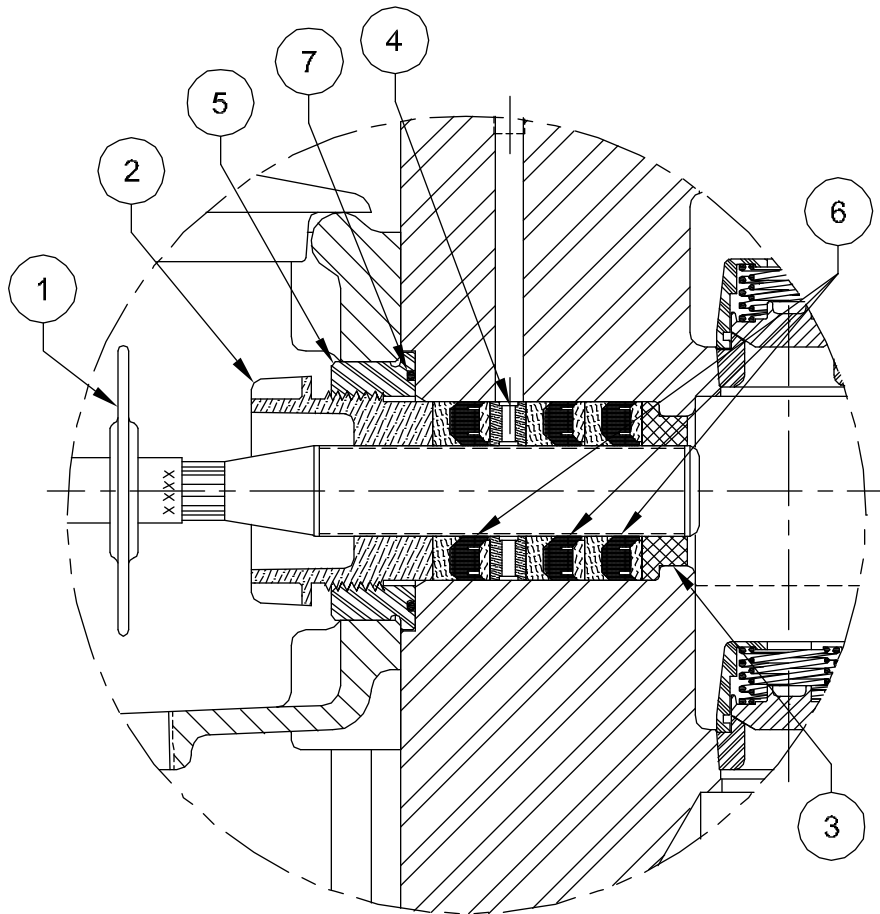
NONE

REV

B

SHT.:

3 OF 6



2	110-000232-200	O-RING		7
	182-112214-477		858	
	182-112214-374		845	
2	182-112214-370	PACKING	838	6
	001-003948-278		(SS)	
	001-003948-236		(STL)	
2	001-003948-316	ADAPTER	(BRZ)	5
	001-011218-278		(SS)	
	001-011218-235		(STL)	
2	001-011218-302	LANTERN RING	(BRZ)	4
	001-010949-278		(SS)	
	001-010949-235		(STL)	
2	001-010949-302	THROAT BUSHING	(BRZ)	3
	ACC-013800-E16		(SS)	
	001-011230-351		(DI)	
2	001-011230-304	GLAND NUT	(BRZ)	2
2	001-008910-201	BAFFLE DISC		1
(1-1/2" PLUNGER)				
REQ'D	Part No.	DESCRIPTION		ITEM
BILL OF MATERIAL				

NOTE

1) FOR ALL " J " STYLE PACKING SEE DRAWING 117631, SHEETS 1 THRU 6.

37

NOV NATIONAL OILWELL VARCO

HOUSTON, TEXAS, U.S.A.

ENGINEERING, TULSA, OKLAHOMA

TITLE:

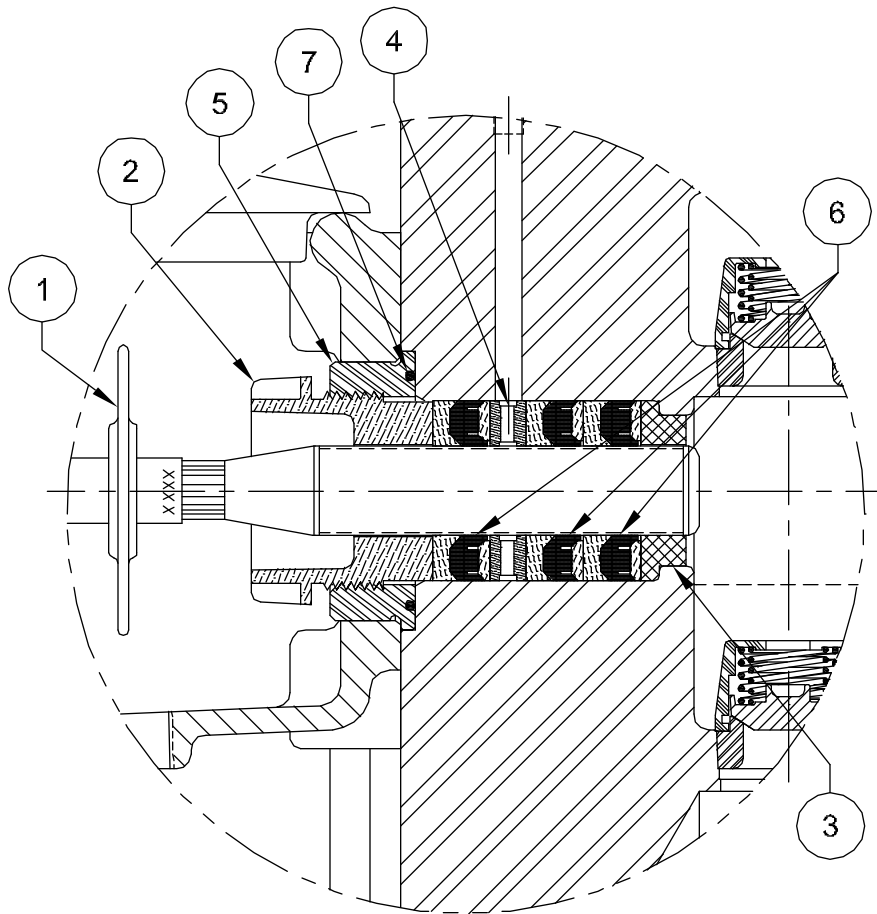
ASSEMBLY, PLUNGER KIT
"J"-STYLE PKG, 1-1/8" THRU 1-3/4" PLUNGER
11D-2M (P100A)

DWG No.: 117631

SCALE: NONE

REV B

SHT.: 4 of 6



2	110-000232-200	O-RING		7
	182-158214-477		858	
	182-158214-374		845	
2	182-158214-370	PACKING	838	6
	001-003948-278		(SS)	
	001-003948-236		(STL)	
2	001-003948-316	ADAPTER	(BRZ)	5
	001-005305-278		(SS)	
	001-005305-235		(STL)	
2	001-005305-302	LANTERN RING	(BRZ)	4
	001-010962-278		(SS)	
	001-010962-235		(STL)	
2	001-010962-302	THROAT BUSHING	(BRZ)	3
	ABC-013800-E16		(ST)	
	001-011231-351		(DI)	
2	001-011231-304	GLAND NUT	(BRZ)	2
2	001-008910-201	BAFFLE DISC		1
(1-5/8" PLUNGER)				
REQ'D	Part No.	DESCRIPTION		ITEM
BILL OF MATERIAL				

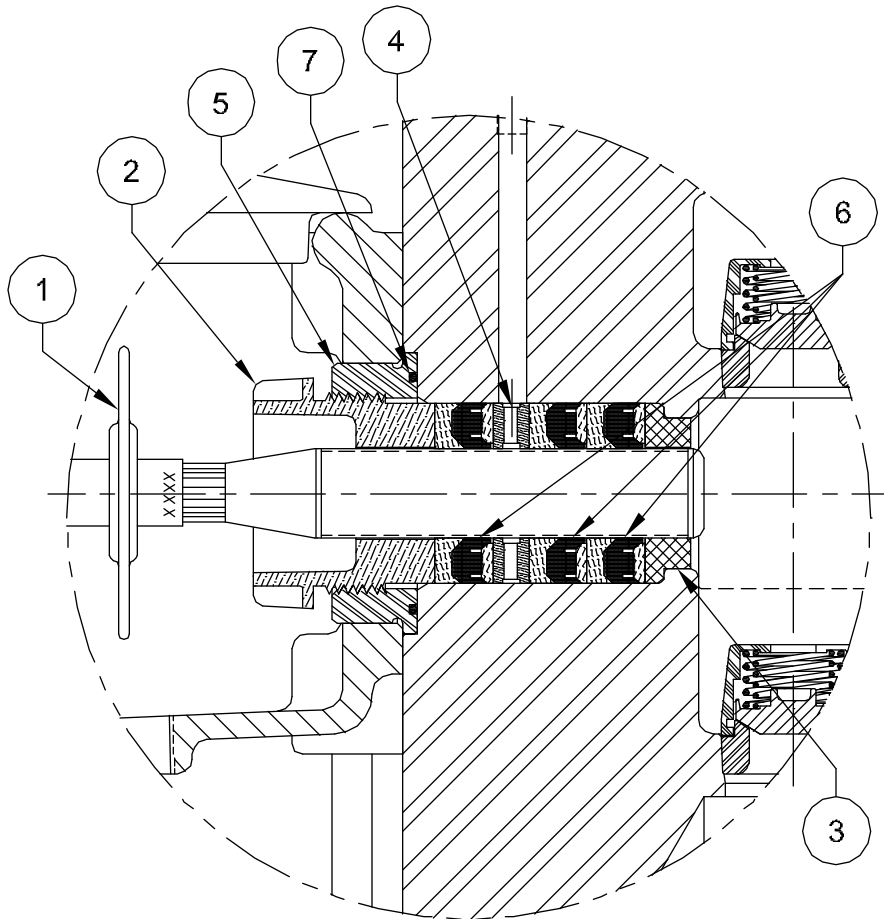
NOTE

1) FOR ALL " J " STYLE PACKING SEE DRAWING 117631, SHEETS 1 THRU 6.

NOV NATIONAL OILWELL VARCO
 HOUSTON, TEXAS, U.S.A. ENGINEERING, TULSA, OKLAHOMA

TITLE:
ASSEMBLY, PLUNGER KIT
"J"-STYLE PKG, 1-1/8" THRU 1-3/4" PLUNGER
11D-2M (P100A)

DWG No.: 117631	SCALE: NONE	REV B	SHT.: 5 of 6
-----------------	-------------	-------	--------------



2	110-000232-200	O-RING		7
	182-134178-477		858	
	182-134178-374		845	
2	182-134178-370	PACKING	838	6
	001-003948-278		(SS)	
	001-003948-236		(STL)	
2	001-003948-316	ADAPTER	(BRZ)	5
	001-011220-278		(SS)	
	001-011220-235		(STL)	
2	001-011220-302	LANTERN RING	(BRZ)	4
	001-010894-278		(SS)	
	001-010894-235		(STL)	
2	001-010894-302	THROAT BUSHING	(BRZ)	3
	AAC-013800-E16		(SS)	
	001-008909-351		(DI)	
2	001-008909-304	GLAND NUT	(BRZ)	2
2	001-008910-201	BAFFLE DISC		1
(1-3/4" PLUNGER)				
REQ'D	Part No.	DESCRIPTION		ITEM
BILL OF MATERIAL				

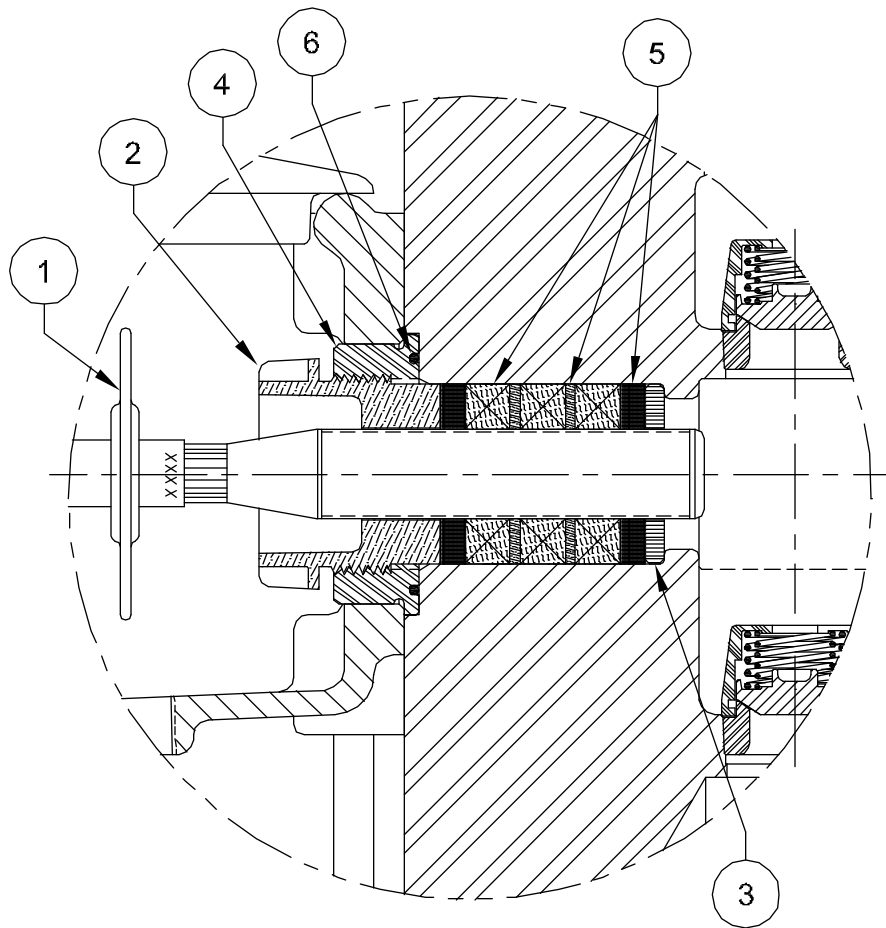
NOTE

1) FOR ALL " J " STYLE PACKING SEE DRAWING 117631, SHEETS 1 THRU 6.

NOV NATIONAL OILWELL VARCO
 HOUSTON, TEXAS, U.S.A. ENGINEERING, TULSA, OKLAHOMA

TITLE:
ASSEMBLY, PLUNGER KIT
"J"-STYLE PKG, 1-1/8" THRU 1-3/4" PLUNGER
11D-2M (P100A)

DWG No.:	117631	SCALE:	NONE	REV:	B	SHT.:	6 of 6
----------	--------	--------	------	------	---	-------	--------



2	110-000232-200	O-RING		6
	287-118212-458		8921-K	
	287-118212-339		249	
	287-118212-337		241	
2	287-118212-395	PACKING	238	5
	001-003948-278		(SS)	
	001-003948-236		(STL)	
2	001-003948-316	ADAPTER	(BRZ)	4
	001-011212-278		(SS)	
	001-011212-235		(STL)	
2	001-010950-302	THROAT BUSHING	(BRZ)	3
	AEC-013800-E16		(SS)	
	001-011228-351		(DI)	
2	001-011228-304	GLAND NUT	(BRZ)	2
2	001-008910-201	BAFFLE DISC		1
(1-1/8" PLUNGER)				
REQ'D	Part No.	DESCRIPTION		ITEM
BILL OF MATERIAL				

NOTE

1) FOR ALL " BRAID STYLE " PACKING SEE DRAWING 117632, SHEETS 1 THRU 6.

40

NOV NATIONAL OILWELL VARCO

HOUSTON, TEXAS, U.S.A.

ENGINEERING, TULSA, OKLAHOMA

TITLE:

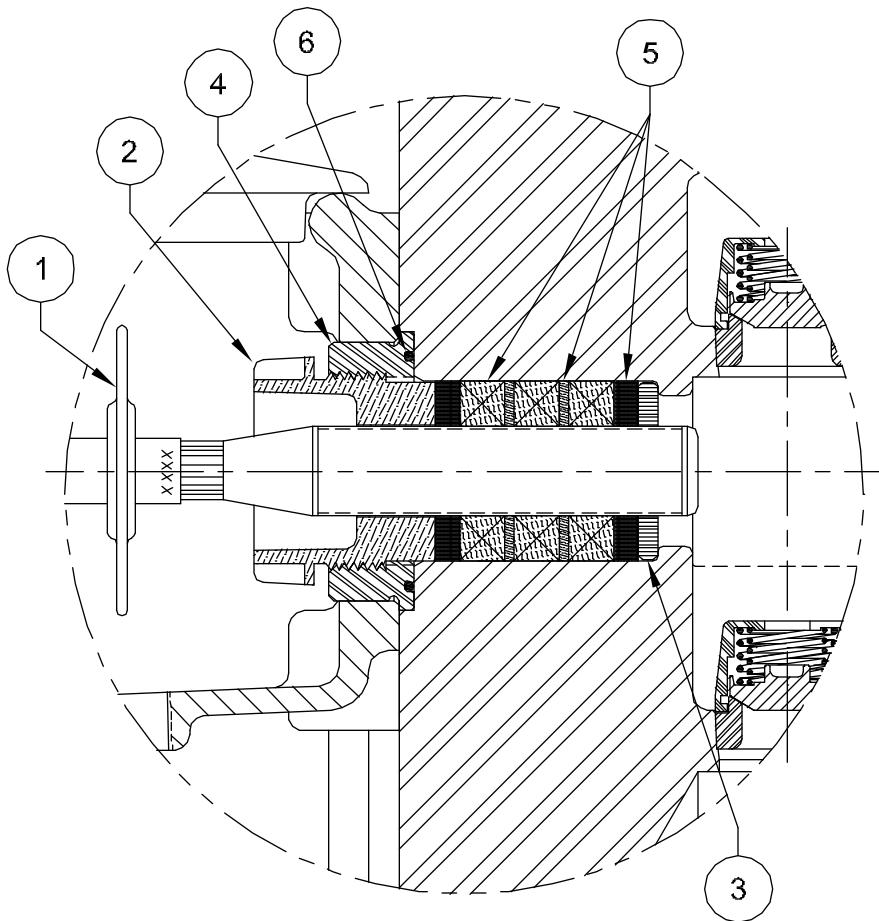
ASSEMBLY, PLUNGER KIT
BRAID STYLE PKG, 1-1/8" THR 1-3/4" PLUNGER
11D-2M (P100A)

DWG No.: 117632

SCALE: NONE

REV B

SHT.: 1 OF 6



2	110-000232-200	O-RING		6
	287-114212-458		8921-K	
	287-114212-339		249	
	287-114212-337		241	
2	287-114212-395	PACKING	238	5
	001-003948-278		(SS)	
	001-003948-236		(STL)	
2	001-003948-316	ADAPTER	(BRZ)	4
	001-011212-278		(SS)	
	001-011212-235		(STL)	
2	001-010950-302	THROAT BUSHING	(BRZ)	3
	AEC-013800-E16		(SS)	
	001-011228-351		(DI)	
2	001-011228-304	GLAND NUT	(BRZ)	2
2	001-008910-201	BAFFLE DISC		1
(1-1/4" PLUNGER)				
REQ'D	Part No.	DESCRIPTION		ITEM
BILL OF MATERIAL				

NOTE

- 1) FOR ALL " BRAID STYLE " PACKING SEE DRAWING 117632, SHEETS 1 THRU 6.



HOUSTON, TEXAS, U.S.A.

ENGINEERING, TULSA, OKLAHOMA

TITLE:

ASSEMBLY, PLUNGER KIT
 BRAID STYLE PKG, 1-1/8" THR 1-3/4" PLUNGER
 11D-2M (P100A)

DWG No.:

117632

SCALE:

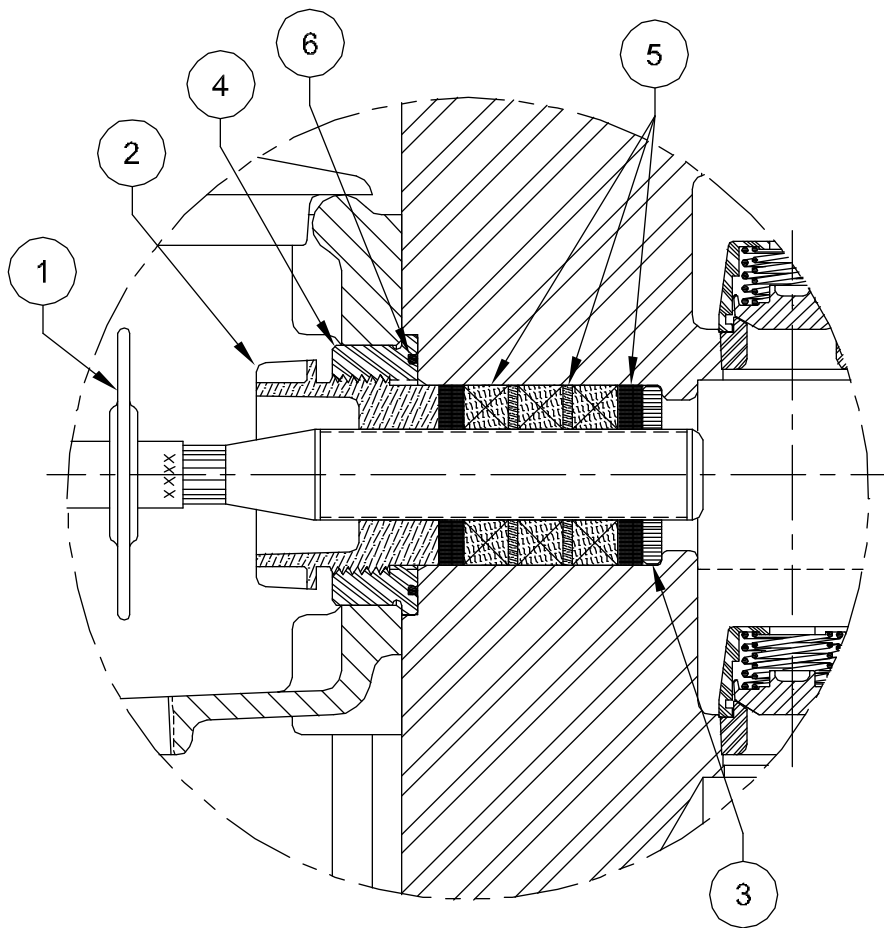
NONE

REV

B

SHT.:

2 OF 6



2	110-000232-200	O-RING		6
	287-138212-458		8921-K	
	287-138212-339		249	
	287-138212-337		241	
2	287-138212-395	PACKING	238	5
	001-003948-278		(SS)	
	001-003948-236		(STL)	
2	001-003948-316	ADAPTER	(BRZ)	4
	001-011221-278		(SS)	
	001-011221-235		(STL)	
2	001-008913-302	THROAT BUSHING	(BRZ)	3
	ADC-013800-E16		(SS)	
	001-011229-351		(DI)	
2	001-011229-304	GLAND NUT	(BRZ)	2
2	001-008910-201	BAFFLE DISC		1
(1-3/8" PLUNGER)				
REQ'D	Part No.	DESCRIPTION		ITEM
BILL OF MATERIAL				

NOTE

1) FOR ALL " BRAID STYLE " PACKING SEE DRAWING 117632, SHEETS 1 THRU 6.



HOUSTON, TEXAS, U.S.A.

ENGINEERING, TULSA, OKLAHOMA

TITLE:

ASSEMBLY, PLUNGER KIT
 BRAID STYLE PKG, 1-1/8" THR 1-3/4" PLUNGER
 11D-2M (P100A)

DWG No.:

117632

SCALE:

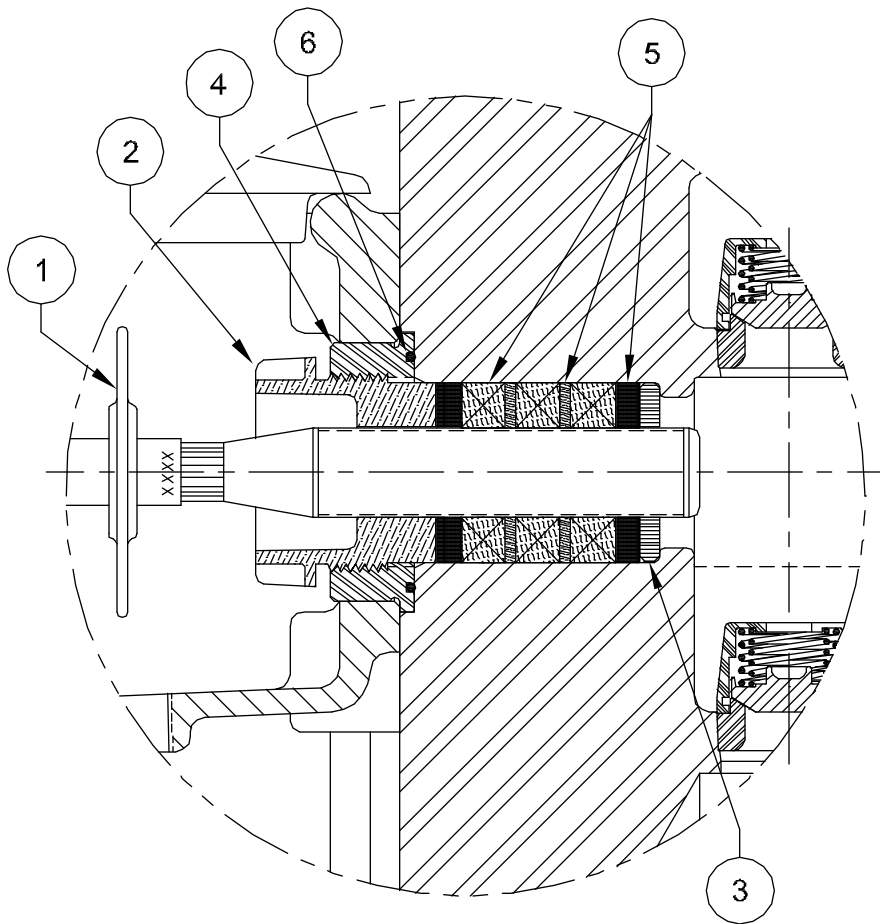
NONE

REV

B

SHT.:

3 OF 6



2	110-000232-200	O-RING		6
	287-112212-458		8921-K	
	287-112212-339		249	
	287-112212-337		241	
2	287-112212-395	PACKING	238	5
	001-003948-278		(SS)	
	001-003948-236		(STL)	
2	001-003948-316	ADAPTER	(BRZ)	4
	001-011218-278		(SS)	
	001-011218235		(STL)	
2	001-010949-302	THROAT BUSHING	(BRZ)	3
	ACC-013800-E16		(SS)	
	001-011230-351		(DI)	
2	001-011230-304	GLAND NUT	(BRZ)	2
2	001-008910-201	BAFFLE DISC		1
(1-1/2" PLUNGER)				
REQ'D	Part No.	DESCRIPTION		ITEM
BILL OF MATERIAL				

NOTE

1) FOR ALL " BRAID STYLE " PACKING SEE DRAWING 117632, SHEETS 1 THRU 6.

NOV NATIONAL OILWELL VARCO

HOUSTON, TEXAS, U.S.A.

ENGINEERING, TULSA, OKLAHOMA

TITLE:

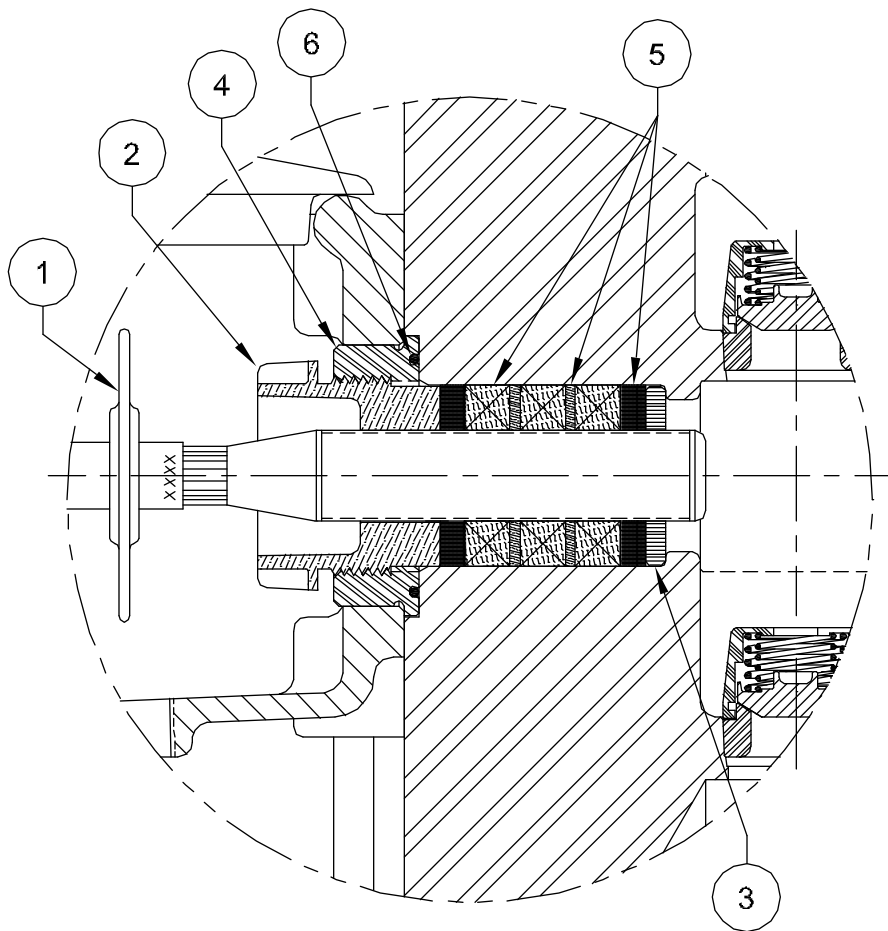
ASSEMBLY, PLUNGER KIT
BRAID STYLE PKG, 1-1/8" THR 1-3/4" PLUNGER
11D-2M (P100A)

DWG No.: 117632

SCALE: NONE

REV B

SHT.: 4 of 6



2	110-000232-200	O-RING		6
	287-158212-458		8921-K	
	287-158212-339		249	
	287-158212-337		241	
2	287-158212-395	PACKING	238	5
	001-003948-278		(SS)	
	001-003948-236		(STL)	
2	001-003948-316	ADAPTER	(BRZ)	4
	001-005305-278		(SS)	
	001-005305-235		(STL)	
2	001-010962-302	THROAT BUSHING	(BRZ)	3
	ABC-013800-E16		(SS)	
	001-011231-351		(DI)	
2	001-011231-304		(BRZ)	2
2	001-008910-201	BAFFLE DISC		1
(1-5/8" PLUNGER)				
REQ'D	Part No.	DESCRIPTION	ITEM	

BILL OF MATERIAL

NOTE

1) FOR ALL " BRAID STYLE " PACKING SEE DRAWING 117632, SHEETS 1 THRU 6.

NOV NATIONAL OILWELL VARCO

HOUSTON, TEXAS, U.S.A.

ENGINEERING, TULSA, OKLAHOMA

TITLE:

**ASSEMBLY, PLUNGER KIT
BRAID STYLE PKG, 1-1/8" THR 1-3/4" PLUNGER
11D-2M (P100A)**

DWG No.:

117632

SCALE:

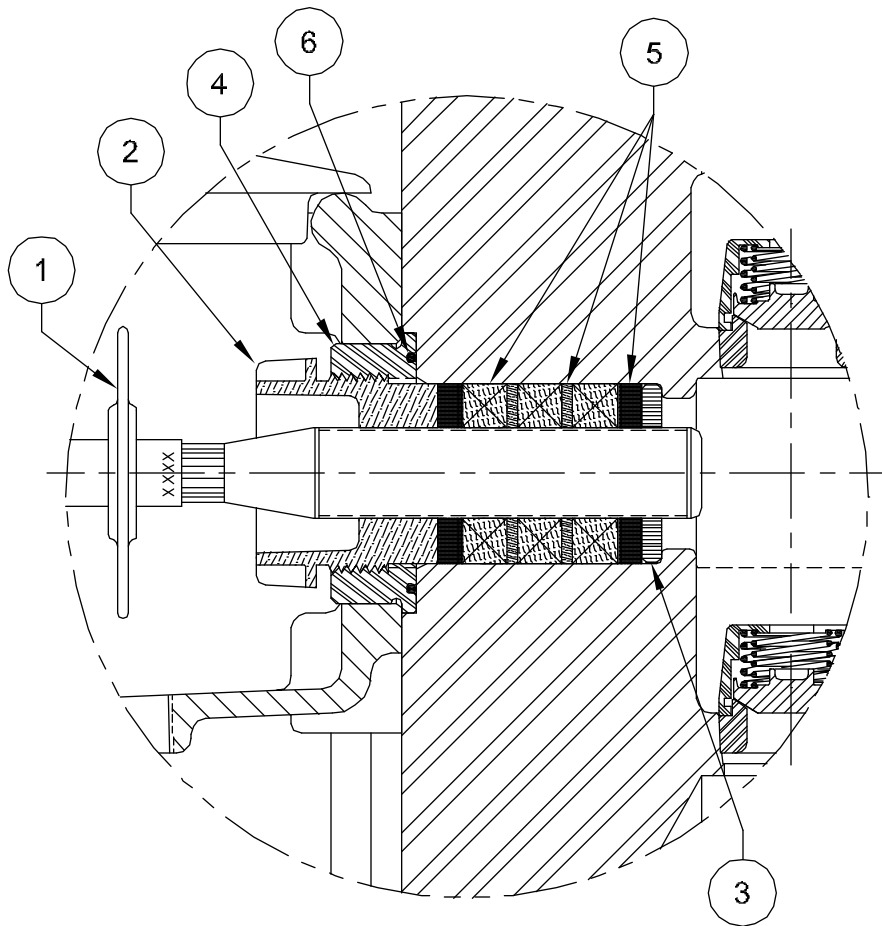
NONE

REV

B

SHT.:

5 OF 6



2	110-000232-200	O-RING		6
	287-134212-458		8921-K	
	287-134212-339		249	
	287-134212-337		241	
2	287-134212-395	PACKING	238	5
	001-003948-278		(SS)	
	001-003948-236		(STL)	
2	001-003948-316	ADAPTER	(BRZ)	4
	001-024096-278		(SS)	
	001-024096-235		(STL)	
2	001-024096-302	THROAT BUSHING	(BRZ)	3
	AAC-013800-E16		(ST)	
	001-008909-351		(DI)	
2	001-008909-304	GLAND NUT	(BRZ)	2
2	001-008910-201	BAFFLE DISC		1
(1-3/4" PLUNGER)				
REQ'D	Part No.	DESCRIPTION		ITEM
BILL OF MATERIAL				

NOTE

- 1) FOR ALL " BRAID STYLE " PACKING SEE DRAWING 117632, SHEETS 1 THRU 6.

NOV NATIONAL OILWELL VARCO

HOUSTON, TEXAS, U.S.A.

ENGINEERING, TULSA, OKLAHOMA

TITLE:

**ASSEMBLY, PLUNGER KIT
BRAID STYLE PKG, 1-1/8" THR 1-3/4" PLUNGER
11D-2M (P100A)**

DWG No.:

117632

SCALE:

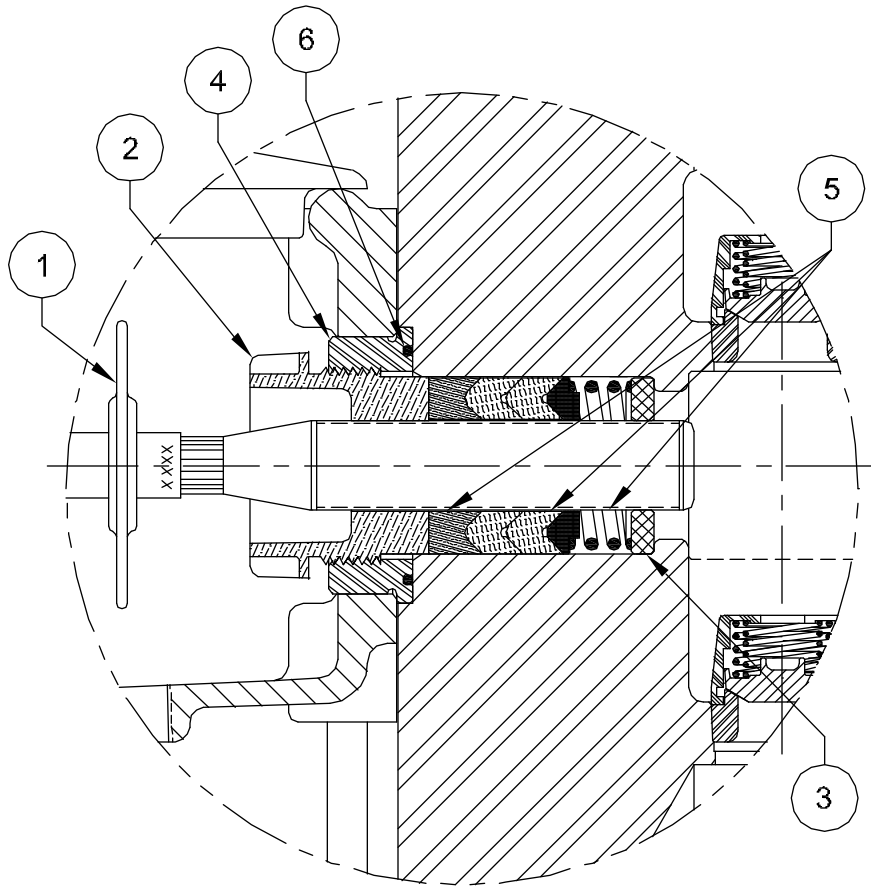
NONE

REV

B

SHT.:

6 OF 6



2	110-000232-200	O-RING		6
2	432-118238-340	PACKING	1068-4	5
	001-003948-278		(SS)	
	001-003948-236		(STL)	
2	001-003948-316	ADAPTER	(BRZ)	4
	001-011211-278		(SS)	
	001-011211-235		(STL)	
2	001-010961-302	THROAT BUSHING	(BRZ)	3
	AFC-013800-E16		(SS)	
	001-011227-351		(DI)	
2	001-011227-304	GLAND NUT	(BRZ)	2
2	001-008910-201	BAFFLE DISC		1
(1-1/8" PLUNGER)				
REQ'D	Part No.	DESCRIPTION		ITEM
BILL OF MATERIAL				

NOTE

- 1) FOR ALL " 1068-4 STYLE " PACKING SEE DRAWING 117633, SHEETS 1 THRU 6.



HOUSTON, TEXAS, U.S.A.

ENGINEERING, TULSA, OKLAHOMA

TITLE:

ASSEMBLY, PLUNGER KIT
1068-4 PACKING, 1-1/8" THRU 1-3/4" PLUNGER
11D-2M (P100A)

DWG No.:

117633

SCALE:

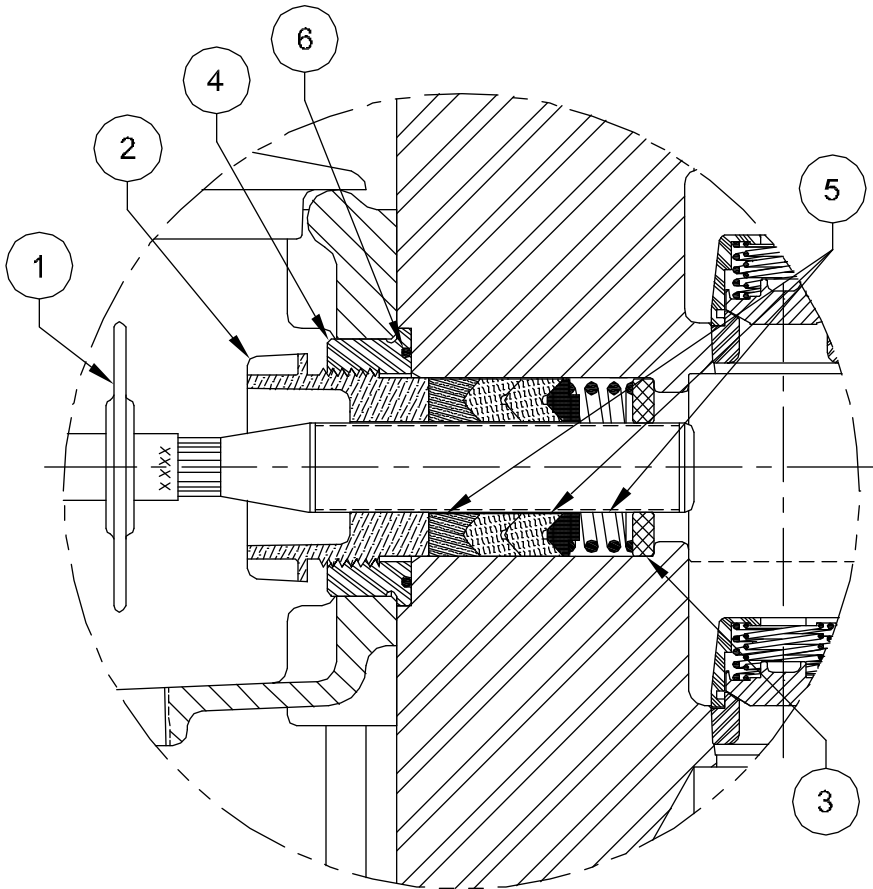
NONE

REV

B

SHT.:

1 of 6



2	110-000232-200	O-RING		6
2	432-114238-340	PACKING	1068-4	5
	001-003948-278		(SS)	
	001-003948-236		(STL)	
2	001-003948-316	ADAPTER	(BRZ)	4
	001-011212-278		(SS)	
	001-011212-235		(STL)	
2	001-010950-302	THROAT BUSHING	(BRZ)	3
	AEC-013800-E16		(SS)	
	001-011228-351		(DI)	
2	001-011228-304	GLAND NUT	(BRZ)	2
2	001-008910-201	BAFFLE DISC		1
(1-1/4" PLUNGER)				
REQ'D	Part No.	DESCRIPTION	ITEM	
BILL OF MATERIAL				

NOTE

- 1) FOR ALL " 1068-4 STYLE " PACKING SEE DRAWING 117633, SHEETS 1 THRU 6.

47

NOV NATIONAL OILWELL VARCO

HOUSTON, TEXAS. U.S.A.

ENGINEERING. TULSA, OKLAHOMA

TITLE:

ASSEMBLY, PLUNGER KIT
1068-4 PACKING, 1-1/8" THRU 1-3/4" PLUNGER
11D-2M (P100A)

DWG No.:

117633

SCALE:

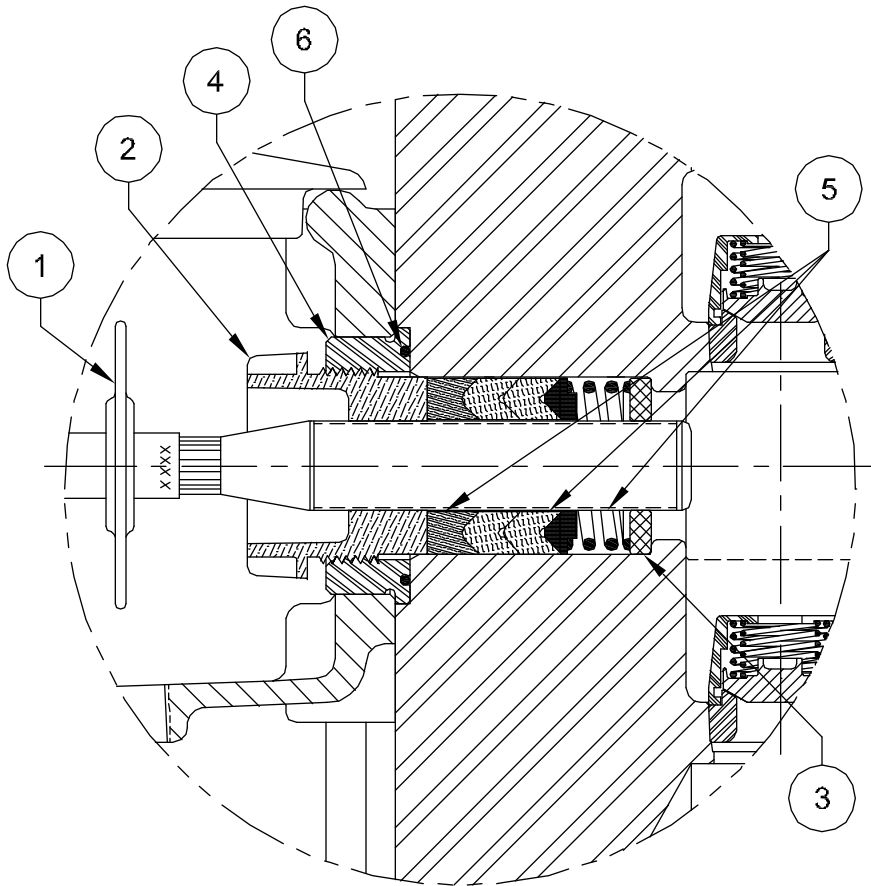
NONE

REV

B

SHT.:

2 OF 6



1	110-000232-200	O-RING		6
2	432-138238-340	PACKING	1068-4	5
	001-003948-278		(SS)	
	001-003948-236		(STL)	
2	001-003948-316	ADAPTER	(BRZ)	4
	001-011221-278		(SS)	
	001-011221-235		(STL)	
2	001-008913-302	THROAT BUSHING	(BRZ)	3
	ADC-013800-E16		(SS)	
	001-011229-351		(DI)	
2	001-011229-304	GLAND NUT	(BRZ)	2
2	001-008910-201	BAFFLE DISC		1
(1-3/8" PLUNGER)				
REQ'D	Part No.	DESCRIPTION		ITEM
BILL OF MATERIAL				

NOTE

- 1) FOR ALL " 1068-4 STYLE " PACKING SEE DRAWING 117633, SHEETS 1 THRU 6.

48

NOV NATIONAL OILWELL VARCO

HOUSTON, TEXAS, U.S.A.

ENGINEERING, TULSA, OKLAHOMA

TITLE:

ASSEMBLY, PLUNGER KIT
1068-4 PACKING, 1-1/8" THRU 1-3/4" PLUNGER
11D-2M (P100A)

DWG No.:

117633

SCALE:

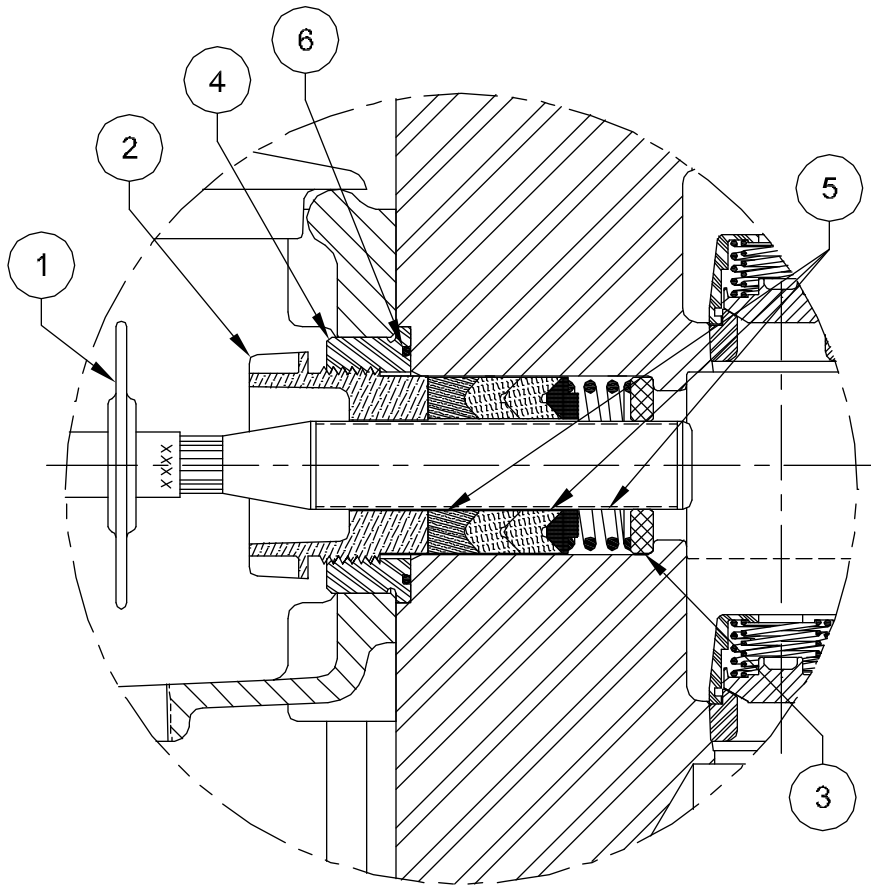
NONE

REV

B

SHT.:

3 OF 6



2	110-000232-200	O-RING		6
2	432-112238-340	PACKING	1068-4	5
	001-003948-278		(SS)	
	001-003948-236		(STL)	
2	001-003948-316	ADAPTER	(BRZ)	4
	001-011218-278		(SS)	
	001-011218235		(STL)	
2	001-010949-302	THROAT BUSHING	(BRZ)	3
	ACC-013800-E16		(SS)	
	001-011230-351		(DI)	
2	001-011230-304	GLAND NUT	(BRZ)	2
2	001-008910-201	BAFFLE DISC		1
(1-1/2" PLUNGER)				
REQ'D	Part No.	DESCRIPTION		ITEM
BILL OF MATERIAL				

NOTE

- 1) FOR ALL " 1068-4 STYLE " PACKING SEE DRAWING 117633, SHEETS 1 THRU 6.

49

NOV NATIONAL OILWELL VARCO

HOUSTON, TEXAS, U.S.A.

ENGINEERING, TULSA, OKLAHOMA

TITLE:

ASSEMBLY, PLUNGER KIT
1068-4 PACKING, 1-1/8" THRU 1-3/4" PLUNGER
11D-2M (P100A)

DWG No.:

117633

SCALE:

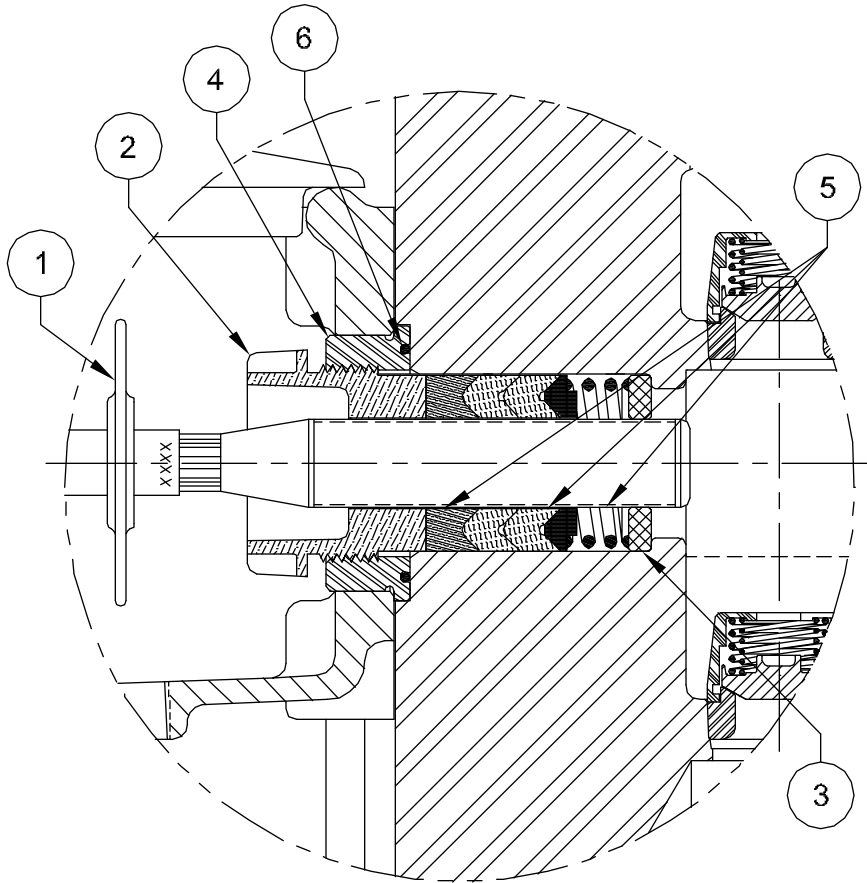
NONE

REV

B

SHT.:

4 OF 6



2	110-000232-200	O-RING		6
2	432-158238-340	PACKING	1068-4	5
	001-003948-278		(SS)	
	001-003948-236		(STL)	
2	001-003948-316	ADAPTER	(BRZ)	4
	001-005305-278		(SS)	
	001-005305-235		(STL)	
2	001-010962-302	THROAT BUSHING	(BRZ)	3
	ABC-013800-E16		(SS)	
	001-011231-351		(DI)	
2	001-011231-304	GLAND NUT	(BRZ)	2
2	001-008910-201	BAFFLE DISC		1
(1-5/8" PLUNGER)				
REQ'D	Part No.	DESCRIPTION		ITEM
BILL OF MATERIAL				

50

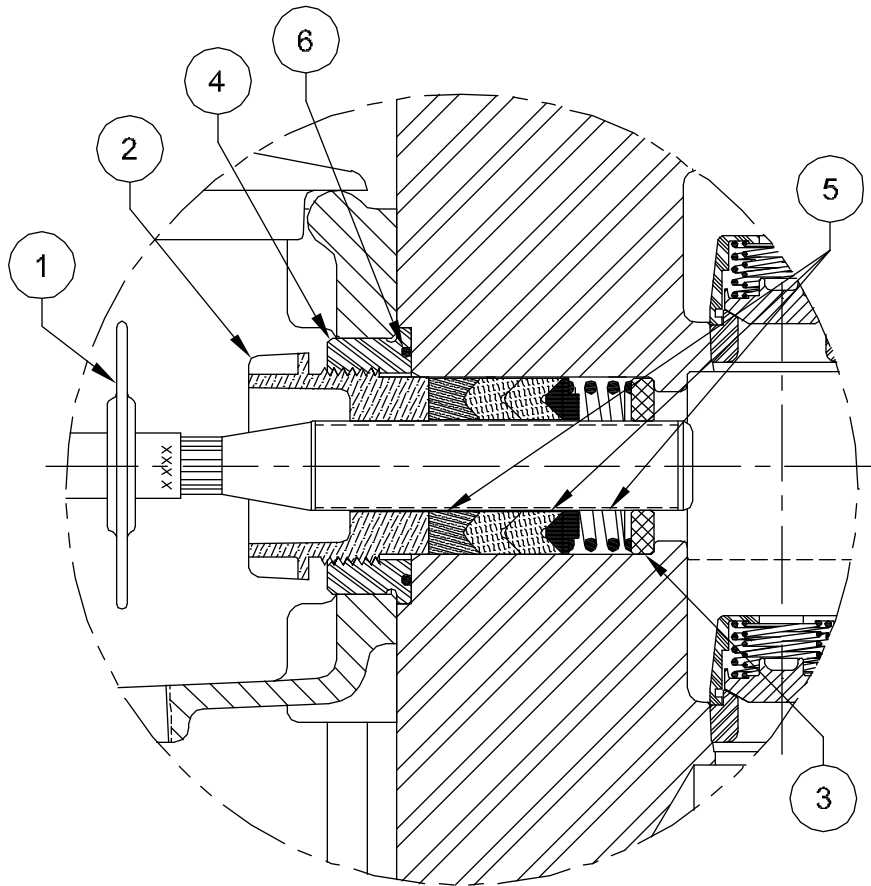
NOTE

1) FOR ALL " 1068-4 STYLE " PACKING SEE DRAWING 117633, SHEETS 1 THRU 6.

NOV NATIONAL OILWELL VARCO
 HOUSTON, TEXAS, U.S.A. ENGINEERING, TULSA, OKLAHOMA

TITLE:
ASSEMBLY, PLUNGER KIT
1068-4 PACKING, 1-1/8" THRU 1-3/4" PLUNGER
11D-2M (P100A)

DWG No.:	117633	SCALE:	NONE	REV	B	SHT.:	5 OF 6
----------	--------	--------	------	-----	---	-------	--------



2	110-000232-200	O-RING		6
2	432-134238-340	PACKING	1068-4	5
	001-003948-278		(SS)	
	001-003948-236		(STL)	
2	001-003948-316	ADAPTER	(BRZ)	4
	001-024096-278		(SS)	
	001-024096-235		(STL)	
2	001-024096-302	THROAT BUSHING	(BRZ)	3
	AAC-013800-E16		(SS)	
	001-008909-351		(DI)	
2	001-008909-304	GLAND NUT	(BRZ)	2
2	001-008910-201	BAFFLE DISC		1

(1-3/4" PLUNGER)

REQ'D	Part No.	DESCRIPTION	ITEM

BILL OF MATERIAL

NOTE

1) FOR ALL " 1068-4 STYLE " PACKING SEE DRAWING 117633, SHEETS 1 THRU 6.



HOUSTON, TEXAS, U.S.A.

ENGINEERING, TULSA, OKLAHOMA

TITLE:

ASSEMBLY, PLUNGER KIT
 1068-4 PACKING, 1-1/8" THRU 1-3/4" PLUNGER
 11D-2M (P100A)

DWG No.:

117633

SCALE:

NONE

REV

B

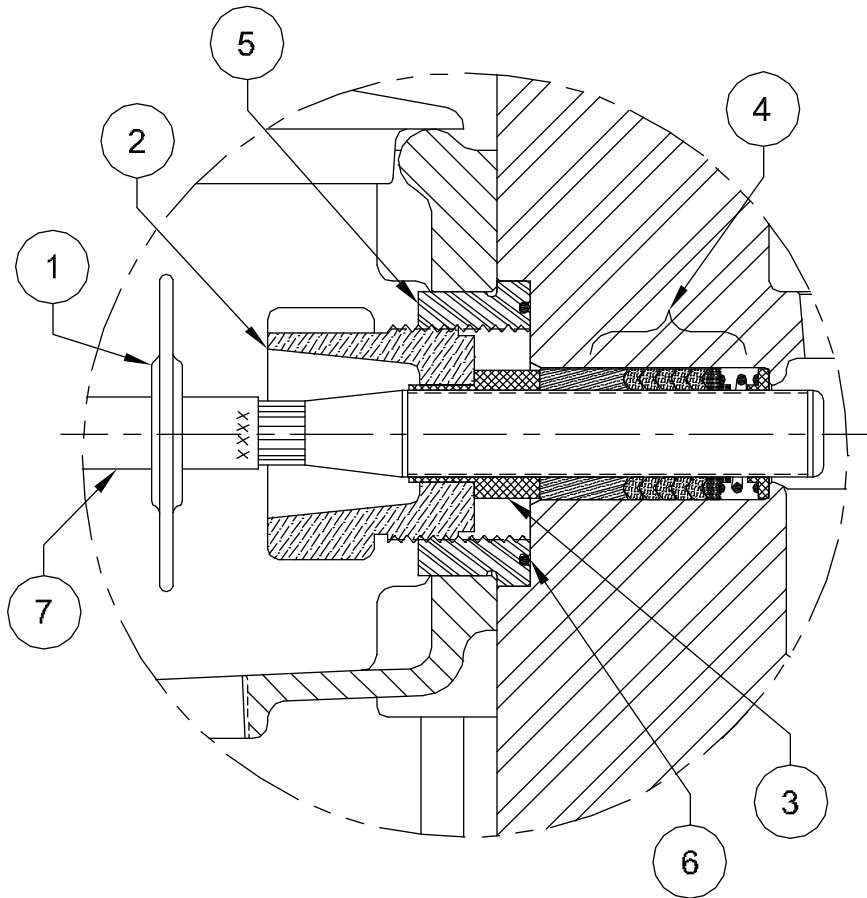
SHT.:

6 OF 6

2	001-014266-402	PONY ROD	(SS)	7
2	110-000234-200	O-RING		6
2	001-014277-310	ADAPTER	(BRZ)	5
2	297-034258-397	PACKING	805-4	4
	001-017049-235		(STL)	
2	001-017049-302	FOLLOWER	(BRZ)	3
	001-014278-351		(DI)	
2	001-014278-304	GLAND NUT	(BRZ)	2
2	001-008910-201	BAFFLE DISC		1

(3/4" PLUNGER)

REQ'D	Part No.	DESCRIPTION	ITEM
BILL OF MATERIAL			



NOTE

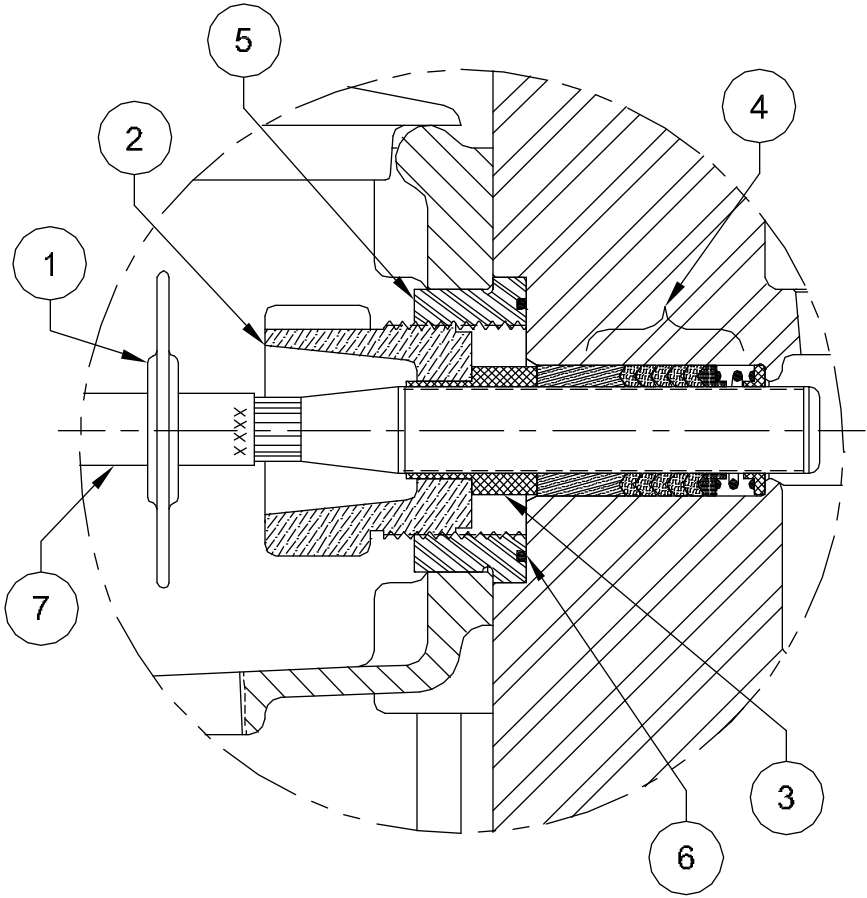
1) FOR ALL " 805-4 STYLE" PACKING SEE DRAWING 118746, SHEETS 1 THRU 3.

NOV NATIONAL OILWELL VARCO			
HOUSTON, TEXAS, U.S.A.		ENGINEERING, TULSA, OKLAHOMA	
TITLE: ASSEMBLY, PLUNGER KIT 805-4 STYLE PACKING, 3/4" THRU 1" PLUNGER 11D-2H			
DWG No.:	118746	SCALE:	NONE
REV	A	SH1.:	1 OF 3

2	001-014266-402	PONY ROD	(SS)	7
2	110-000234-200	O-RING		6
2	001-014277-310	ADAPTER	(BRZ)	5
2	297-078258-397	PACKING	805-4	4
	001-014719-235		(STL)	
2	001-014719-302	FOLLOWER	(BRZ)	3
	001-014278-351		(DI)	
2	001-014278-304	GLAND NUT	(BRZ)	2
2	001-008910-201	BAFFLE DISC		1

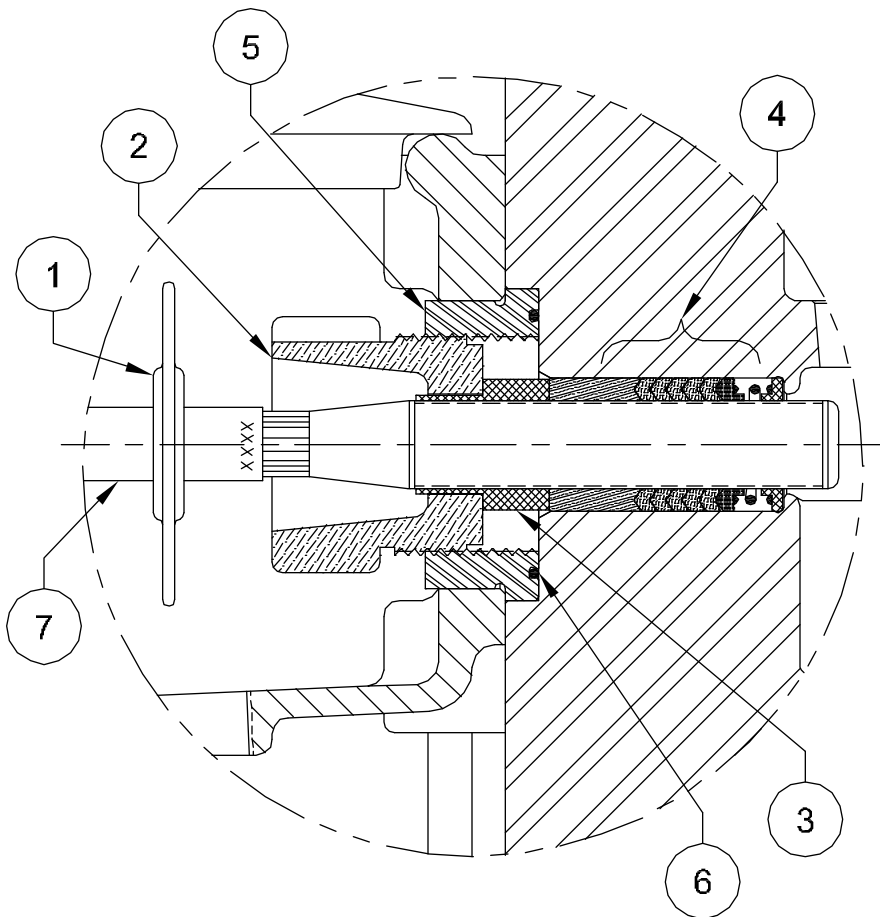
(7/8" PLUNGER)

REQ'D	Part No.	DESCRIPTION	ITEM
BILL OF MATERIAL			



NOTE
 1) FOR ALL " 805-4 STYLE" PACKING SEE DRAWING 118746, SHEETS 1 THRU 3.

NOV NATIONAL OILWELL VARCO			
HOUSTON, TEXAS, U.S.A.		ENGINEERING, TULSA, OKLAHOMA	
TITLE: ASSEMBLY, PLUNGER KIT 805-4 STYLE PACKING, 3/4" THRU 1" PLUNGER 11D-2H			
DWG No.:	118746	SCALE:	NONE
REV	A	SHT.:	2 of 3



2	001-014266-402	PONY ROD	(SS)	7
2	110-000234-200	O-RING		6
2	001-014277-310	ADAPTER	(BRZ)	5
2	297-100258-397	PACKING	805-4	4
	001-017050-235		(STL)	
2	001-017050-302	FOLLOWER	(BRZ)	3
	001-014278-351		(DI)	
2	001-014278-304	GLAND NUT	(BRZ)	2
2	001-008910-201	BAFFLE DISC		1
(1" PLUNGER)				
REQ'D	Part No.	DESCRIPTION		ITEM
BILL OF MATERIAL				

NOTE

1) FOR ALL " 805-4 STYLE" PACKING SEE DRAWING 118746, SHEETS 1 THRU 3.



HOUSTON, TEXAS, U.S.A.

ENGINEERING, TULSA, OKLAHOMA

TITLE:

**ASSEMBLY, PLUNGER KIT
805-4 STYLE PACKING, 3/4" THRU 1" PLUNGER
11D-2H**

DWG No.:

118746

SCALE:

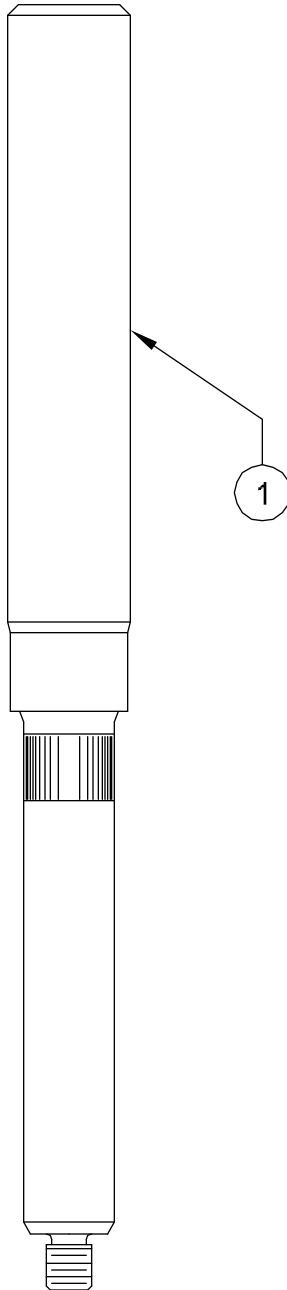
NONE

REV

A

SHT.:

3 OF 3



2	AHC-115977-E24	2" DIA. PLUNGER, HARD COAT, CHROME OXIDE	
2	002-011349-E23	2" DIA. PLUNGER, HARD COAT, COBALT	
2	002-011349-E22	2" DIA. PLUNGER, HARD COAT, TUNGSTEN	
2	002-011349-E26	2" DIA. PLUNGER, HARD COAT, PREMIUM TUNGSTEN	1
2	AGC-115977-E24	1-7/8" DIA. PLUNGER, HARD COAT, CHROME OXIDE	
2	AGC-115977-E23	1-7/8" DIA. PLUNGER, HARD COAT, COBALT	
2	002-011348-E22	1-7/8" DIA. PLUNGER, HARD COAT, TUNGSTEN	
2	002-011348-E26	1-7/8" DIA. PLUNGER, HARD COAT, PREMIUM TUNGSTEN	1
2	002-025838-999	1-3/4" DIA. PLUNGER, HARD COAT, CHROME OXIDE	
2	AFC-115977-E23	1-3/4" DIA. PLUNGER, HARD COAT, COBALT	
2	002-011347-E22	1-3/4" DIA. PLUNGER, HARD COAT, TUNGSTEN	
2	002-011347-E26	1-3/4" DIA. PLUNGER, HARD COAT, PREMIUM TUNGSTEN	1
2	002-025372-E24	1-5/8" DIA. PLUNGER, HARD COAT, CHROME OXIDE	
2	AEC-115977-E23	1-5/8" DIA. PLUNGER, HARD COAT, COBALT	
2	002-011346-E22	1-5/8" DIA. PLUNGER, HARD COAT, TUNGSTEN	
2	002-011346-E26	1-5/8" DIA. PLUNGER, HARD COAT, PREMIUM TUNGSTEN	1
2	002-025694-999	1-1/2" DIA. PLUNGER, HARD COAT, CHROME OXIDE	
2	002-009539-E23	1-1/2" DIA. PLUNGER, HARD COAT, COBALT	
2	002-009539-E22	1-1/2" DIA. PLUNGER, HARD COAT, TUNGSTEN	
2	002-009539-E26	1-1/2" DIA. PLUNGER, HARD COAT, PREMIUM TUNGSTEN	1
REQ'D	Part No.	DESCRIPTION	ITEM
BILL OF MATERIAL			

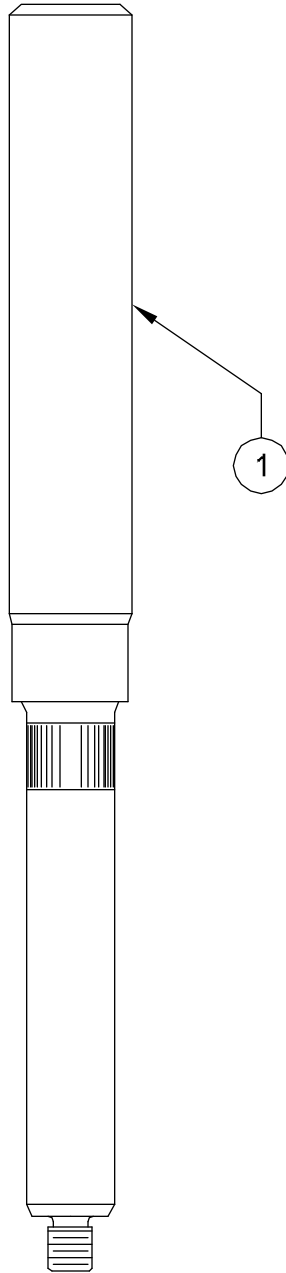
55

NOV NATIONAL OILWELL VARCO

HOUSTON, TEXAS, U.S.A. ENGINEERING, TULSA, OKLAHOMA

TITLE:
**PLUNGERS 1-1/2" THRU 2"
 HARD SURFACE
 11D-2L**

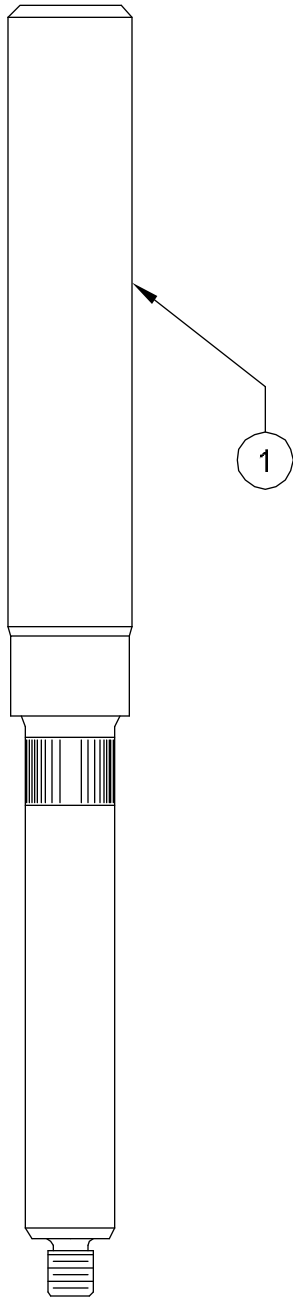
DWG No.:	118740	SCALE:	NONE	REV	A	SHT.:	1 OF 1
----------	--------	--------	------	-----	---	-------	--------



2	002-011368-999	2" DIA. PLUNGER, CERAMIC	1
2	002-011367-999	1-7/8" DIA. PLUNGER, CERAMIC	1
2	002-011365-999	1-3/4" DIA. PLUNGER, CERAMIC	1
2	002-011364-999	1-5/8" DIA. PLUNGER, CERAMIC	1
2	002-011363-999	1-1/2" DIA. PLUNGER, CERAMIC	1
REQ'D	Part No.	DESCRIPTION	ITEM
BILL OF MATERIAL			

56

NOV NATIONAL OILWELL VARCO			
HOUSTON, TEXAS, U.S.A.		ENGINEERING, TULSA, OKLAHOMA	
TITLE: PLUNGERS 1-1/2" THRU 2" CERAMIC 11D-2L			
DWG No.:	118741	SCALE:	NONE
REV	A	SH1.:	1 OF 1



2	002-025838-E24	PLUNGER, HARD COAT (CHROME OXIDE)	
2	AFC-115977-E23	PLUNGER, HARD COAT (STELLITE 157)	
2	002-011347-E22	PLUNGER, HARD COAT (COLOMONY)	
2	002-011347-E26	PLUNGER, HARD COAT (TUNGSTEN)	1
1-3/4" DIA. PLUNGERS			
2	002-025372-E24	PLUNGER, HARD COAT (CHROME OXIDE)	
2	AEC-115977-E23	PLUNGER, HARD COAT (STELLITE 157)	
2	002-011346-E22	PLUNGER, HARD COAT (COLOMONY)	
2	002-011346-E26	PLUNGER, HARD COAT (TUNGSTEN)	1
1-5/8" DIA. PLUNGERS			
2	002-025694-999	PLUNGER, HARD COAT (CHROME OXIDE)	
2	002-009539-E23	PLUNGER, HARD COAT (STELLITE 157)	
2	002-009539-E22	PLUNGER, HARD COAT (COLOMONY)	
2	002-009539-E26	PLUNGER, HARD COAT (TUNGSTEN)	1
1-1/2" DIA. PLUNGERS			
2	002-025373-999	PLUNGER, HARD COAT (CHROME OXIDE)	
2	002-011638-E23	PLUNGER, HARD COAT (STELLITE 157)	
2	002-011638-999	PLUNGER, HARD COAT (COLOMONY)	
2	002-011638-E26	PLUNGER, HARD COAT (TUNGSTEN)	1
1-3/8" DIA. PLUNGERS			
2	002-025847-E24	PLUNGER, HARD COAT (CHROME OXIDE)	
2	ABC-115977-E23	PLUNGER, HARD COAT (STELLITE 157)	
2	002-011637-999	PLUNGER, HARD COAT (COLOMONY)	
2	002-011637-E26	PLUNGER, HARD COAT (TUNGSTEN)	1
1-1/4" DIA. PLUNGERS			
2	002-025831-999	PLUNGER, HARD COAT (CHROME OXIDE)	
2	002-011636-E23	PLUNGER, HARD COAT (STELLITE 157)	
2	002-011636-E22	PLUNGER, HARD COAT (COLOMONY)	
2	002-011636-E26	PLUNGER, HARD COAT (TUNGSTEN)	1
1-1/8" DIA. PLUNGERS			
REQ'D	Part No.	DESCRIPTION	ITEM
BILL OF MATERIAL			

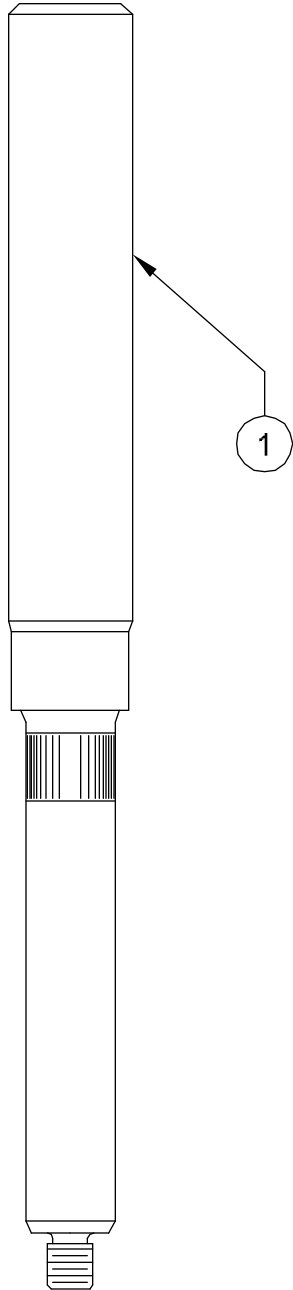
57



HOUSTON, TEXAS, U.S.A. ENGINEERING, TULSA, OKLAHOMA

TITLE:
 PLUNGERS 1-1/8" THRU 1-3/4"
 HARD SURFACE
 11D-2M (P100A)

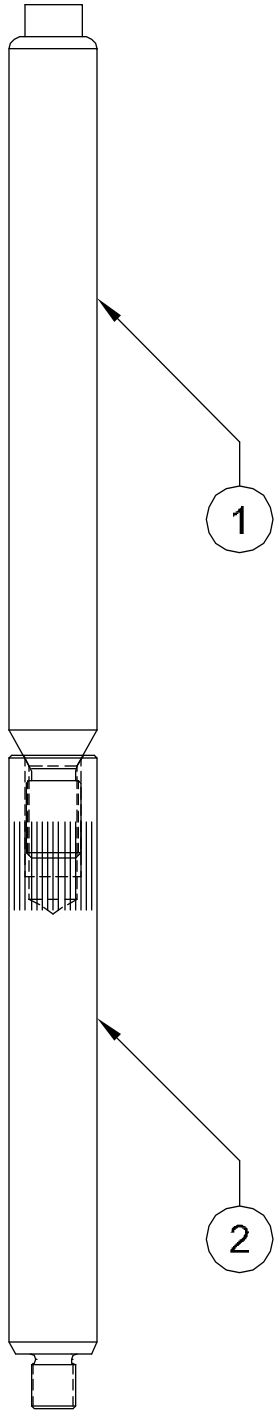
DWG No.: 117634	SCALE: NONE	REV B	SHT.: 1 OF 1
--------------------	----------------	----------	-----------------



2	002-011365-999	PLUNGER, CERAMIC	1
1-3/4" DIA. PLUNGERS			
2	002-011364-999	PLUNGER, CERAMIC	1
1-5/8" DIA. PLUNGERS			
2	002-011363-999	PLUNGER, CERAMIC	1
1-1/2" DIA. PLUNGERS			
2	002-011366-999	PLUNGER, CERAMIC	1
1-3/8" DIA. PLUNGERS			
2	002-011362-999	PLUNGER, CERAMIC	1
1-1/4" DIA. PLUNGERS			
2	002-001753-999	PLUNGER, CERAMIC	1
1-1/8" DIA. PLUNGERS			
REQ'D	Part No.	DESCRIPTION	ITEM
BILL OF MATERIAL			

58

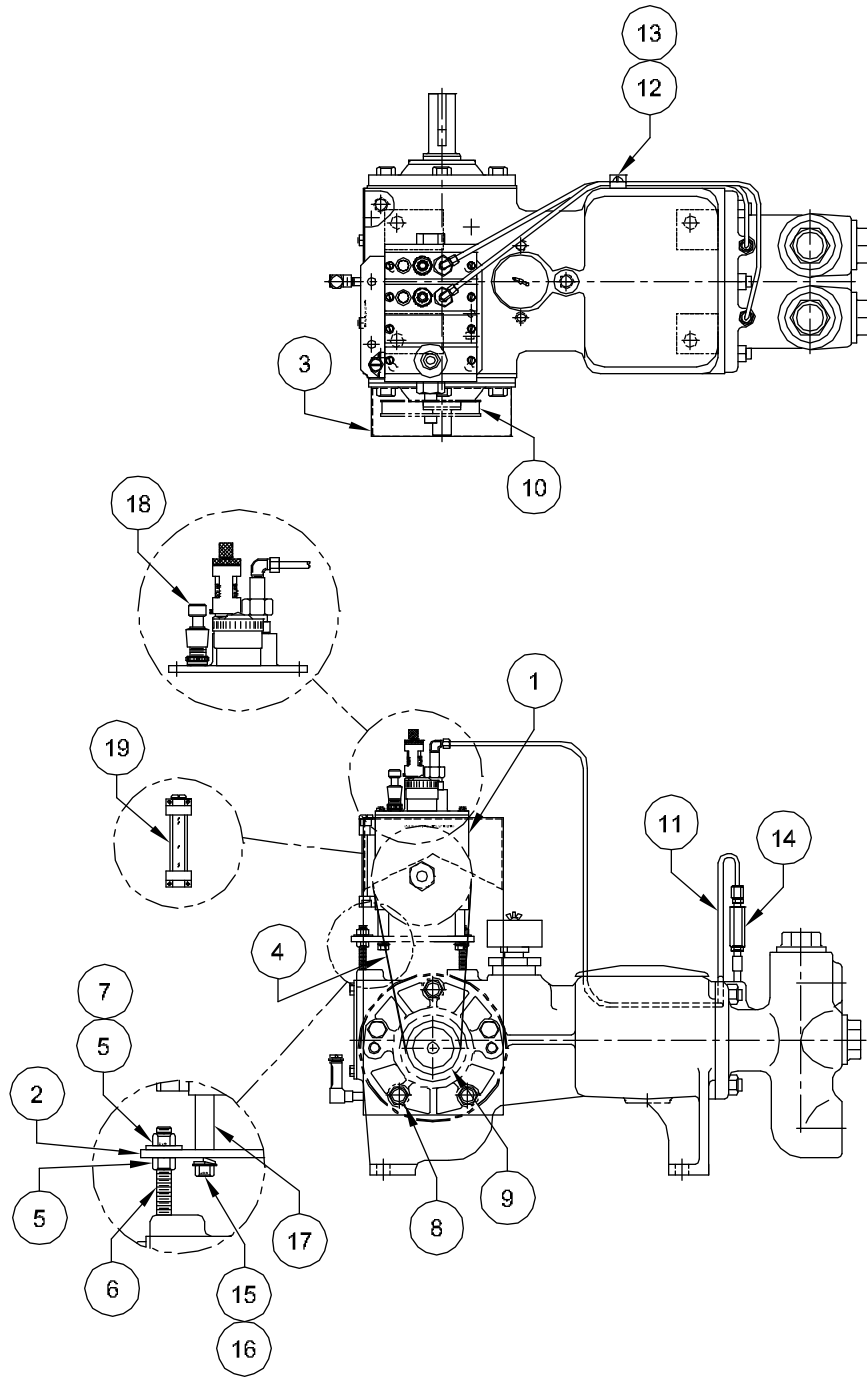
NOV NATIONAL OILWELL VARCO			
HOUSTON, TEXAS, U.S.A.		ENGINEERING, TULSA, OKLAHOMA	
TITLE: PLUNGERS 1-1/8" THRU 1-3/4" CERAMIC 11D-2M (P100A)			
DWG No.:	117635	SCALE:	NONE
REV	B	SHT.:	1 OF 1



2	001-014266-402	PONY ROD	2
	002-002252-999	1" DIA. PLUNGER, HARD COAT, TUNGSTEN	
2	002-002252-E26	1" DIA. PLUNGER, HARD COAT, PREMIUM TUNGSTEN	1
2	002-011068-999	7/8" DIA. PLUNGER, HARD COAT, TUNGSTEN	
2	002-011068-E26	7/8" DIA. PLUNGER, HARD COAT, PREMIUM TUNGSTEN	1
2	002-011067-999	3/4" DIA. PLUNGER, HARD COAT, TUNGSTEN	
2	002-011067-E26	3/4" DIA. PLUNGER, HARD COAT, PREMIUM TUNGSTEN	1
REQ'D	Part No.	DESCRIPTION	ITEM
BILL OF MATERIAL			

59

NOV NATIONAL OILWELL VARCO			
HOUSTON, TEXAS, U.S.A.		ENGINEERING, TULSA, OKLAHOMA	
TITLE: PLUNGERS 3/4" THRU 1" HARD SURFACE 11D-2H			
DWG No.:	118747	SCALE:	NONE
REV	A	SHT:	1 OF 1



SAME PLUMBING FOR CASTINGS AND BILLETS (CASTING SHOWN).

1	GAS-105265-000	SIGHT GLASS	19
1	GAS-105264-000	PUMP ASSEMBLY w/ GASKET	18
REPLACEMENT PARTS			
4	186-130112-220	SPACER	17
4	100-516212-273	CAP SCREW 5/16" x 2-1/2" LG.	16
4	154-516059-220	LOCK WASHER, 5/16"	15
2	GAS-105240-000	CHECK VALVE, 1/8" NPT	14
2	113-010038-220	MACHINE SCREW, RND HD	13
1	001-008783-405	LINE CLAMP	12
120"	330-002003-365	TUBING, 1/4"	11
1	001-011513-999	SHEAVE, LUBRICATOR DRIVER	10
1	001-011632-999	SHEAVE, PUMP DRIVER	9
3	100-058412-290	CAP SCREW, 5/8" x 4-1/2" LG.	8
3	154-038068-220	LOCK WASHER 3/8"	7
3	104-038300-286	STUD, 3/8" x 3" LG	6
6	133-038016-286	NUT, ZINC PLATED 3/8"	5
1	001-011617-999	V-BELT	4
1	004-001977-231	BELT GUARD	3
1	001-012229-231	LUBRICATOR BRACKET LH/RH	2
1	001-013312-999	LUBRICATOR LHD, (2) FEED	
1	GAS-105216-000	LUBRICATOR RHD, (2) FEED	1
REQ'D	Part No.	DESCRIPTION	ITEM
BILL OF MATERIAL			

LEFT HAND DRIVE POWER PUMP (SHOWN) REQUIRES
RIGHT HAND DRIVE LUBRICATOR.

NOV NATIONAL OILWELL VARCO

HOUSTON, TEXAS, U.S.A.

ENGINEERING, TULSA, OKLAHOMA

TITLE:

ASSEMBLY, PACKING LUBRICATOR
(RHD OR LHD) LHD SHOWN
11D-2 (P100)

DWG No.:

117627

SCALE:

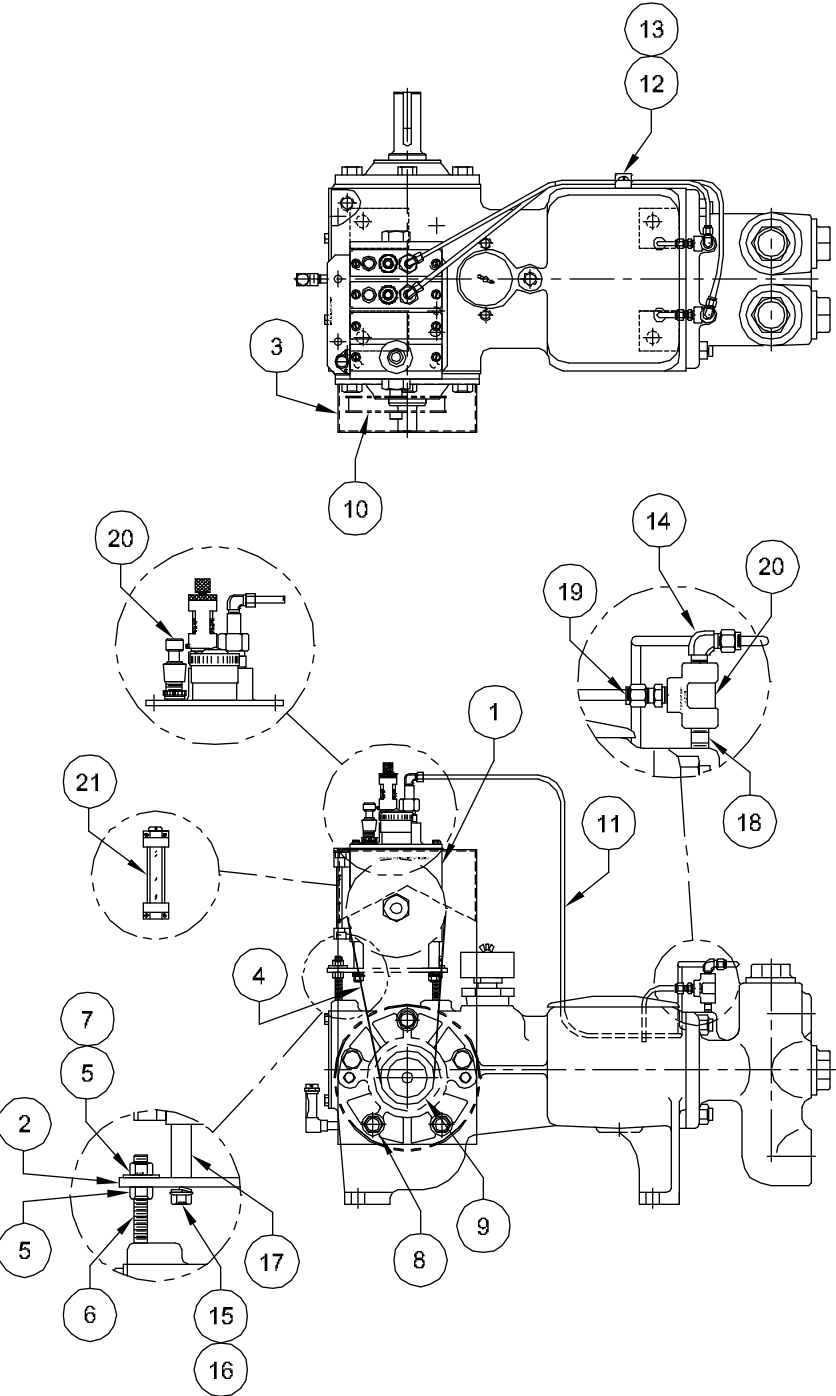
NONE

REV

B

SHT.:

1 OF 1



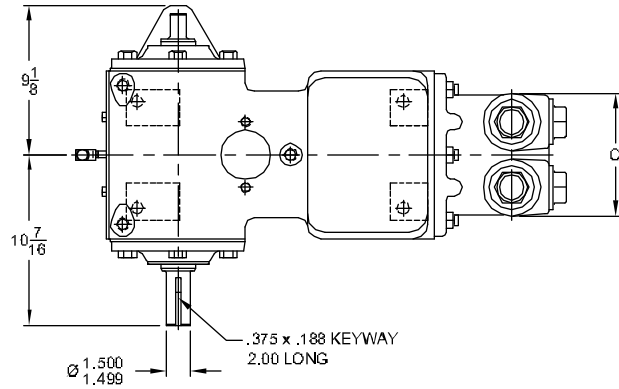
SAME PLUMBING FOR CASTINGS AND BILLETS (CASTING SHOWN).

1	GAS-105265-000	SIGHT GLASS	21
1	GAS-105264-000	PUMP ASSEMBLY w/ GASKET	20
REPLACEMENT PARTS			
2	469-020002-278	TEE, 1/8" NPT	20
2	462-040012-278	MALE CONNECTOR, 1/4" TUBE x 1/8" NPT	19
2	157-018112-278	PIPE NIPPLE	18
4	186-130112-220	SPACER	17
4	100-516212-273	CAP SCREW 5/16" x 2-1/2" LG.	16
4	154-516059-220	LOCK WASHER, 5/16"	15
2	462-040022-278	TUBE FITTING, 90° ELBOW 1/4" TUBE x 1/8" NPT	14
2	113-010038-220	MACHINE SCREW, RND HD	13
1	001-008783-405	LINE CLAMP	12
120"	330-002003-365	TUBING, 1/4"	11
1	001-011513-999	SHEAVE, LUBRICATOR DRIVER 5/8" BORE	10
1	001-011632-999	SHEAVE, PUMP DRIVER	9
3	100-058412-290	CAP SCREW, 5/8" x 4-1/2" LG.	8
3	154-038068-220	LOCK WASHER 3/8"	7
3	104-038300-286	STUD, 3/8" x 3" LG	6
6	133-038016-286	NUT, ZINC PLATED 3/8"	5
1	001-011617-999	V-BELT	4
1	004-001977-231	BELT GUARD	3
1	001-012229-231	LUBRICATOR BRACKET LH/RH	2
1	01-013312-999	LUBRICATOR LHD, (2) FEED	
1	GAS-105216-000	LUBRICATOR RHD, (2) FEED	1
REQ'D	Part No.	DESCRIPTION	ITEM
BILL OF MATERIAL			

LEFT HAND DRIVE POWER PUMP (SHOWN) REQUIRES RIGHT HAND DRIVE LUBRICATOR.

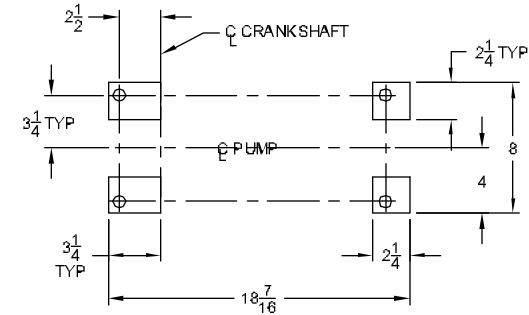
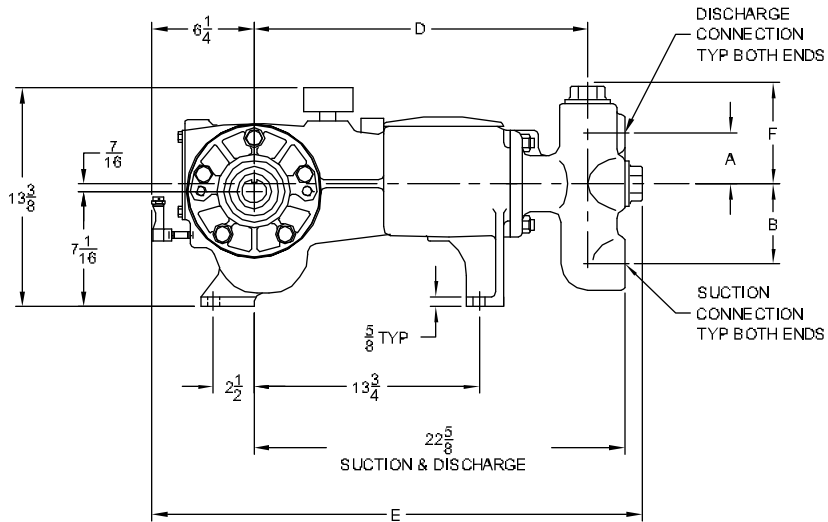
NOV NATIONAL OILWELL VARCO			
HOUSTON, TEXAS, U.S.A.		ENGINEERING, TULSA, OKLAHOMA	
TITLE:			
ASSEMBLY, D.O.H. LUBRICATOR (DRIP ON HEEL) - (RHD OR LHD) LHD SHOWN, 11D-2 (P100)			
DWG No.:	SCALE:	REV	SHT.:
117628	NONE	B	1 OF 1

FIELD CONNECTIONS



PUMP TYPE	DIMENSIONS IN INCHES	
	DISCHARGE CONNECTION SIZE	SUCTION CONNECTION SIZE
11D-2L	1 - 1 1/2 FNPT	2 - 1 1/2 FNPT
11D-2M	1 - 1 1/2 FNPT	2 - 1 1/2 FNPT

PUMP TYPE	DIMENSIONS IN INCHES					
	A	B	C	D	E	F
11D-2L	3-1/8	4-7/8	7-1/2	20-3/8	29-3/8	6
11D-2M	3-1/8	4-7/8	7-1/2	20-3/8	29-3/8	6



PUMP FOOTPRINT

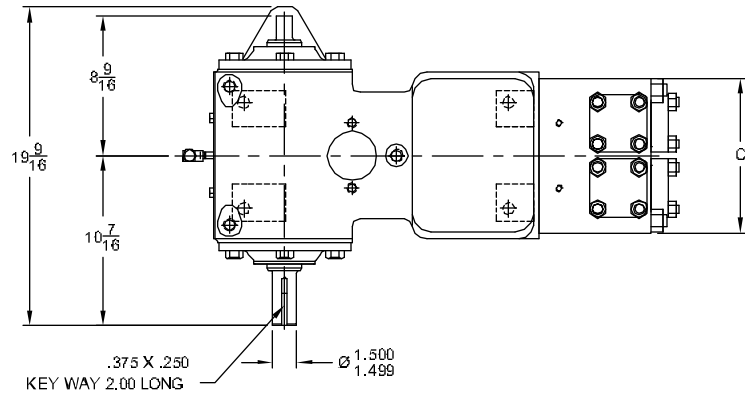


HOUSTON, TEXAS, U.S.A. ENGINEERING, TULSA, OKLAHOMA

TITLE:
**GENERAL DIMENSION, RHD
 CAST FLUID END
 11D-2L & M (P100A)**

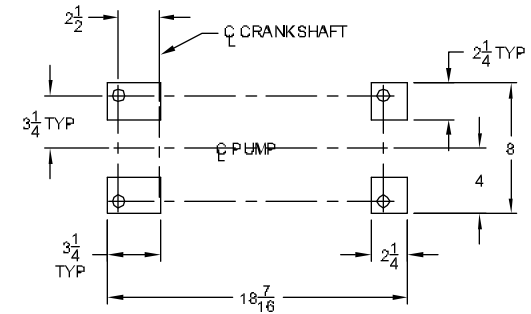
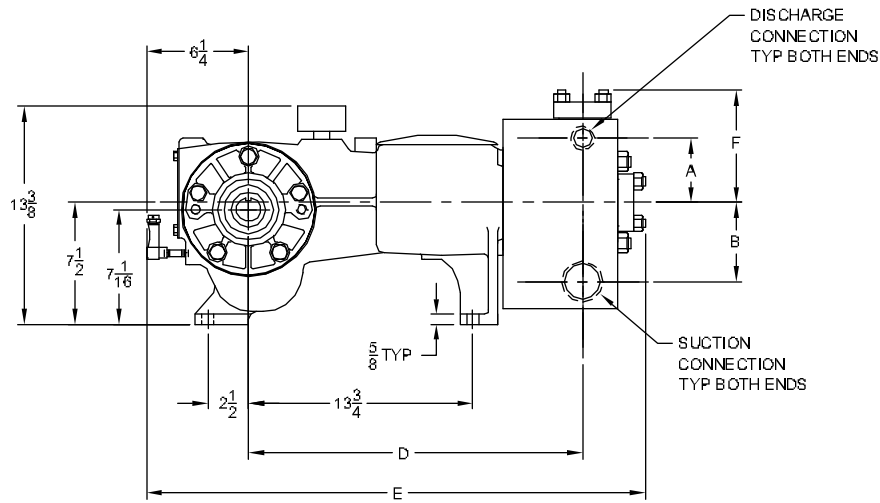
DWG No.:	117621	SCALE:	NONE	REV	B	SHT.:	1 OF 1
----------	--------	--------	------	-----	---	-------	--------

FIELD CONNECTIONS



PUMP TYPE	DIMENSIONS IN INCHES	
	DISCHARGE CONNECTION SIZE	SUCTION CONNECTION SIZE
11D-2L	1 - 1 1/2 FNPT	2 - 1 1/2 FNPT
11D-2M	1 - 1 1/2 FNPT	2 - 1 1/2 FNPT

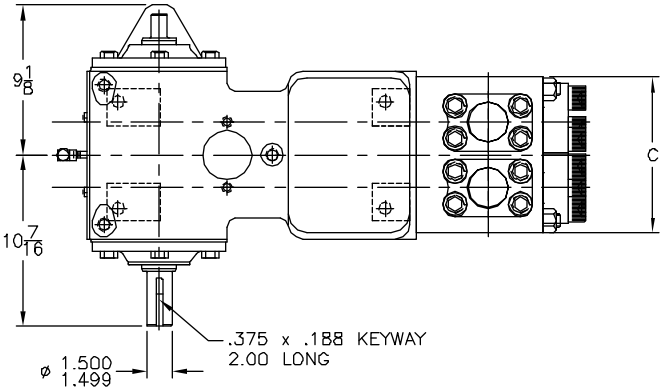
PUMP TYPE	DIMENSIONS IN INCHES					
	A	B	C	D	E	F
11D-2L	3-15/16	4-7/8	9-1/2	20-1/2	30-1/8	6-7/8
11D-2M	3-15/16	4-7/8	9-1/2	20-1/2	30-1/8	6-7/8



PUMP FOOTPRINT

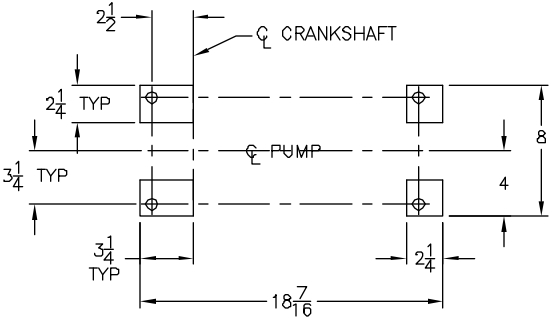
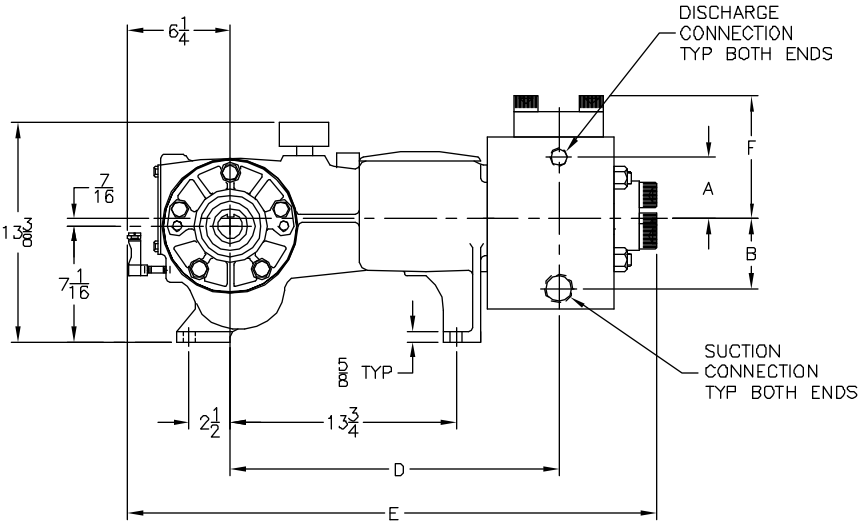
NATIONAL OILWELL VARCO			
HOUSTON, TEXAS, U.S.A.		ENGINEERING, TULSA, OKLAHOMA	
TITLE: GENERAL DIMENSION, RHD BILLET FLUID END 11D-2L & M (P100A)			
DWG No.:	SCALE:	REV:	SHT.:
117803	NONE	B	1 OF 1

FIELD CONNECTIONS



PUMP TYPE	DIMENSIONS IN INCHES	
	DISCHARGE CONNECTION SIZE	SUCTION CONNECTION SIZE
11D-2H	3/4 -14 NPT	1-1/4 - 11 1/2 NPT

PUMP TYPE	DIMENSIONS IN INCHES					
	A	B	C	D	E	F
11D-2H	3-3/4	4-1/4	9-1/2	20	32-1/8	7-1/2



PUMP FOOTPRINT

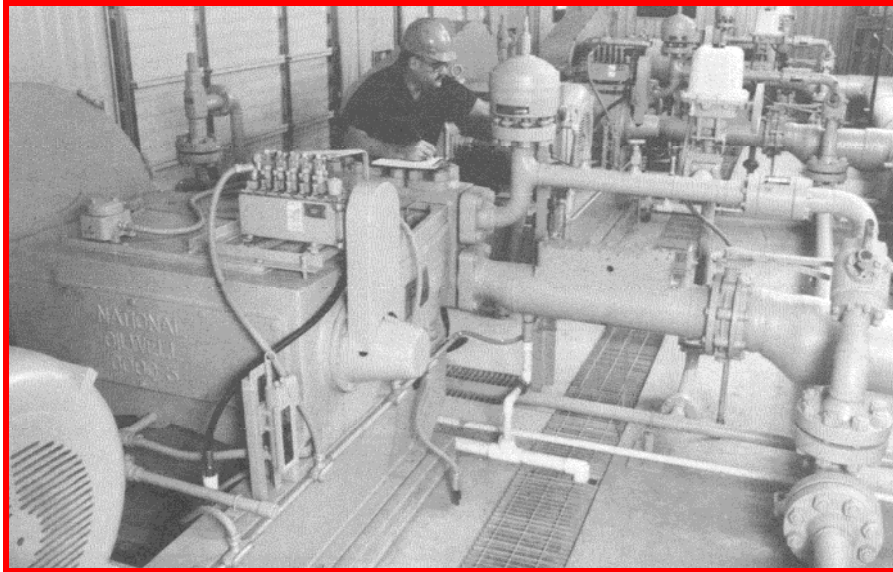


HOUSTON, TEXAS, U.S.A. ENGINEERING, TULSA, OKLAHOMA

TITLE: GENERAL DIMENSION, RHD BILLET FLUID END 11D-2H

DWG No:	117620	SCALE:	NONE	REV	B	SHT.:	1 OF 1
---------	--------	--------	------	-----	---	-------	--------

NATIONAL OILWELL VARCO



With over 120 locations worldwide, National Oilwell Varco is located near you. To find the nearest Distribution Service Center, machinery center or repair facility, please give us a call at our main office listed below.

Or you can access our website at the URL listed below, where you may search by location or country.

<http://www.nov.com/contactus/>

Sales/Technical Information:
USA Tollfree: 1 (800) 324-4706

Internet: <http://www.nov.com>

National Oilwell Varco is a leading manufacturer of reciprocating plunger pumps, Mission Fluid King centrifugal pumps, and fluid end replacement parts. We also offer a complete set of solutions to your fluid transfer challenges. For more Information, contact National Oilwell Varco directly at the Headquarters in Houston, Texas. All National Oilwell Varco products are available throughout the U.S. and around the world from service centers, authorized distributors, and representatives.

© Copyright 1999 by National Oilwell, L.P. All Rights Reserved. NATIONAL OILWELL, NATIONAL, and OILWELL are registered trademarks of NATIONAL OILWELL, L.P. Houston, Texas, USA. All other trademarks used are registered to their respective companies. The information and data in this brochure, including but not limited to pictures, photographs, charts, diagrams, drawings, lists, written comments, and specifications, are accurate to the best of our knowledge and belief, but are intended for general information only. Applications suggested for the materials and other information are described only to help readers make their own evaluations and decisions, and are neither guarantees nor are they to be construed as express or implied warranties of suitability for these or other applications. National Oilwell makes no warranty, either express or implied, beyond that stipulated in National Oilwell's Standard Terms and Conditions of Sale which are available upon request.