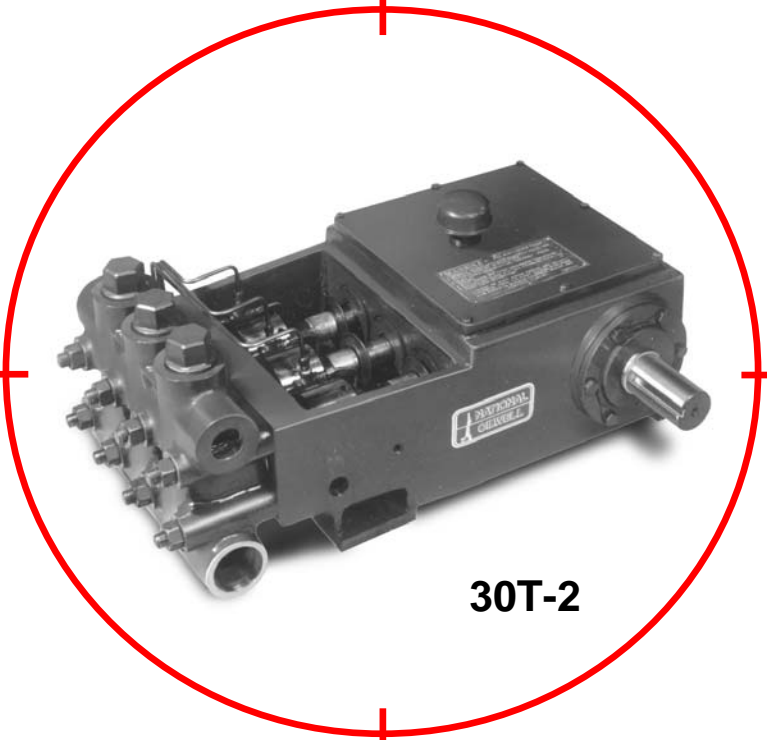
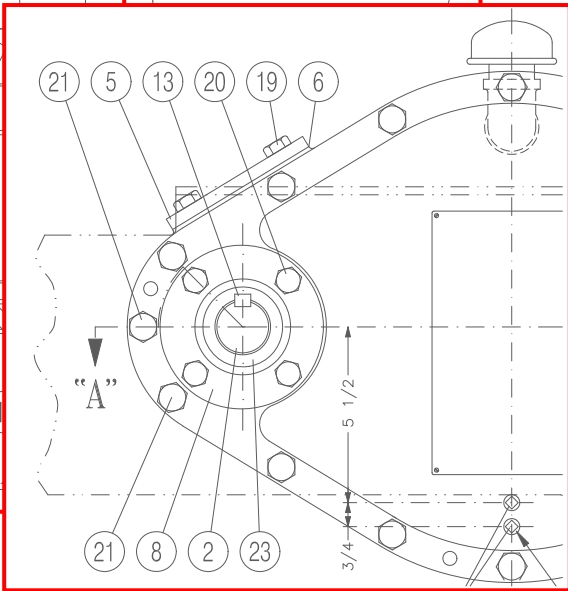
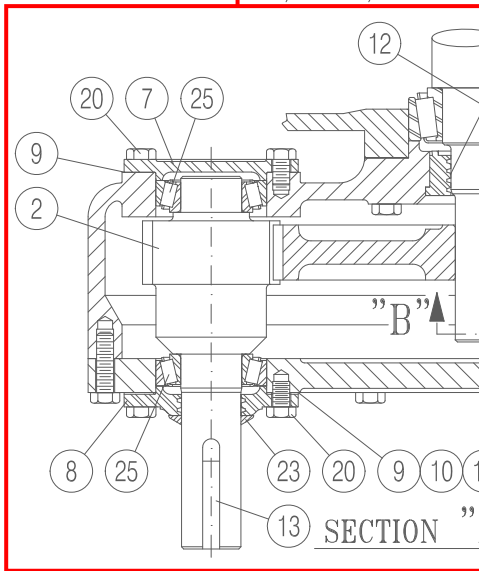
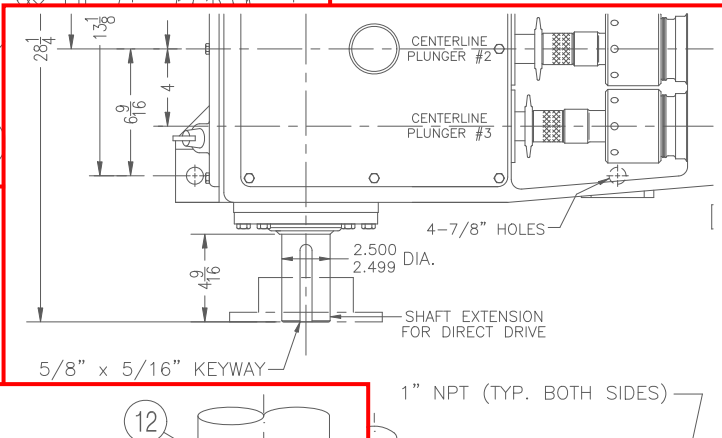
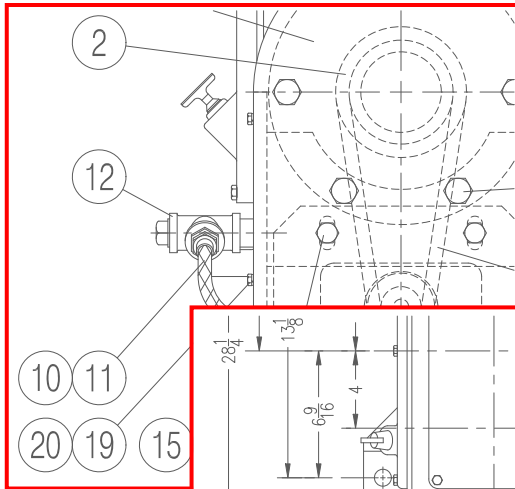


30T-2 Triplex Plunger Pump Parts List



30T-2



Types:
30T-2L
30T-2H

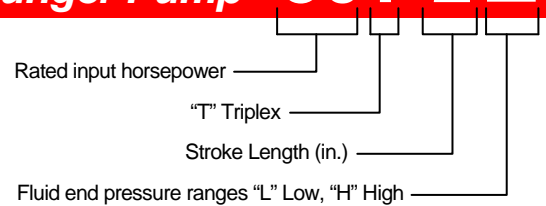
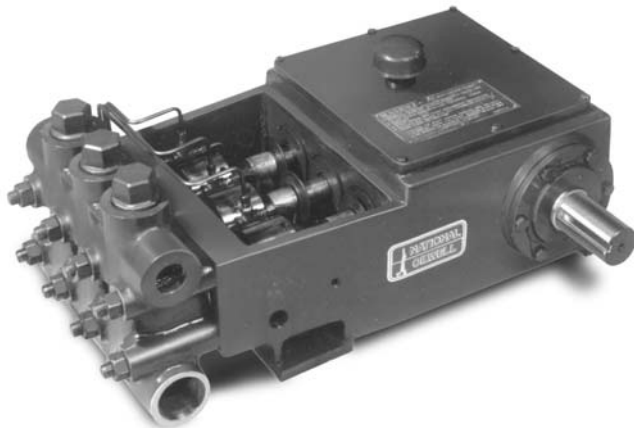
Sales / Technical Information

USA Tollfree: 1 (800) 324-4706
Phone: 1 (918) 447-4600
Fax: 1 (918) 447-4677
Internet: <http://www.nov.com>

REVISED: JULY 15, 2008
REVISED: AUGUST 21, 2007
REVISED: FEBRUARY 3, 2005
ISSUE: MARCH 1, 2000

Parts List

Triplex Plunger Pump 30T-2

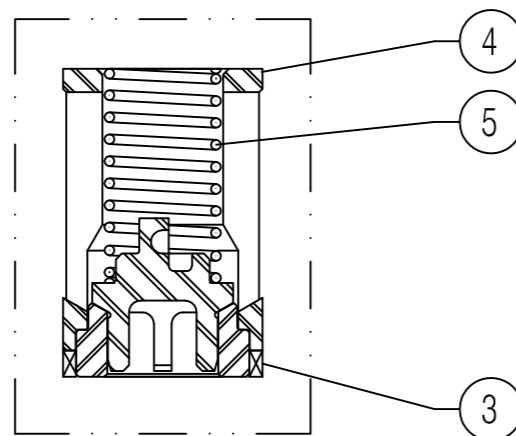
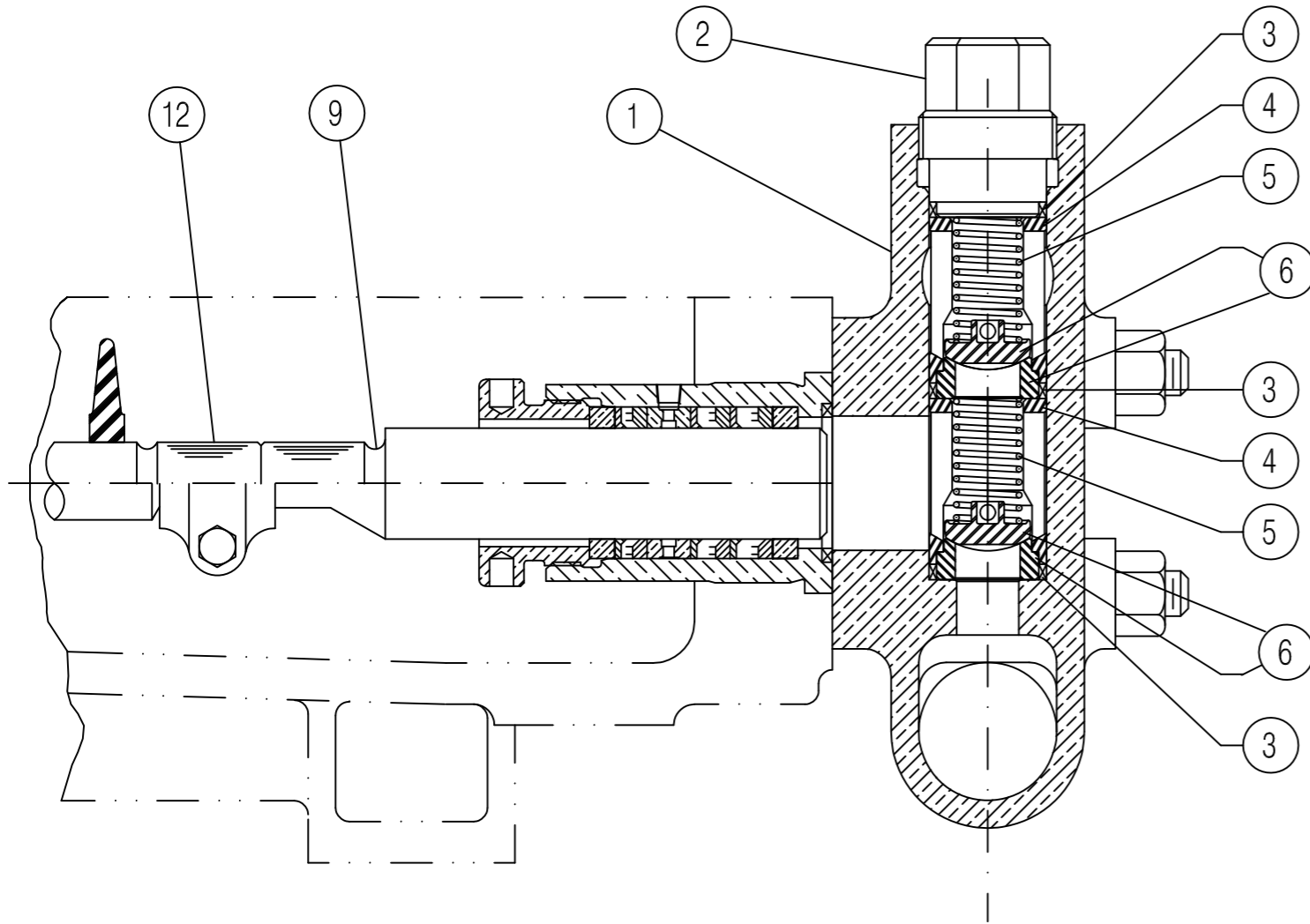


Index and Check List:

PAGE	DWG. NUMBER	DESCRIPTION	SERIES OF ISSUE	DATE OF ISSUE
1	1709520	ASSEMBLY, FLUID END, 30T-2L (THREADED) – ALUM. BRZ.	SECOND	8-21-07
2	1709521	ASSEMBLY, FLUID END, 30T-2L (FLANGED) – ALUM. BRZ.	SECOND	8-21-07
3	1709522	ASSEMBLY, FLUID END, 30T-2L STAINLESS STEEL	SECOND	8-21-07
4	1709523	ASSEMBLY, FLUID END, 30T-2H ALUMINUM BRONZE	SECOND	8-21-07
5	1709524	POWER END ASSEMBLY	SECOND	10-25-00
6	1709525	CRANKSHAFT ASSEMBLY	FIRST	7-1-99
7	1709526	CAGE VALVE SERVICE – DISC, BM. GUIDED, BALL AND SEAT	FIRST	7-1-99
8	1709527	VALVE SERVICE KITS – SPHERICAL, BM. GUIDED, DISC OR BALL	SECOND	2-22-08
9	1709541	SEVERE DUTY VALVE SERVICE ASSEMBLY	FIRST	8-21-07
10	1709528	GEAR REDUCER ASSEMBLY (ALL RATIOS)	FIRST	7-1-99
11	1709529	PLUNGER KIT ASSEMBLY 30T-2L AND 30T-2H	FIRST	7-1-99
12	1709530	PLUNGER KIT ASSEMBLY (HIGH PRESSURE) 30T-2H	FIRST	7-1-99
13	1709531	SS PLUNGER KITS W/KEVLAR PACKING 30T-2L AND 30T-2H	SECOND	2-13-01
14	1709532	PLUNGER W/INTERM. ROD ASSY. – DOUBLE TAPERED CLAMP	SECOND	6-9-07
15	1709533	PLUNGER W/INTERM. ROD ASSEMBLY – THREADED PLUNGER	SECOND	6-9-07
16	1709534	LUBRICATOR PIPING ASSEMBLY	SECOND	6-9-07
17	1709535	OPTIONAL ACCESSORIES	FIRST	7-1-99
18	1709536	PUMP CONVERSION PARTS FOR HIGH SUCTION PRESSURE	FIRST	7-1-99
19	1709537	LOW PRESSURE IN-LINE SUCTION DAMPENER (WELD – ON)	FIRST	7-1-99
20	1709538	30T AUXILIARY LUBE SYSTEM – SLOW SPEED	SECOND	6-9-07
21	1709539	30T OUTLINE DRAWING WITHOUT GEAR REDUCER	FIRST	7-1-99
22	1709540	30T OUTLINE DRAWING WITH GEAR REDUCER	FIRST	7-1-99

Revisions effective July 15, 2008 – revised drawing 1709527.

LTR	DESCRIPTION OF CHANGE	MADE	CHKD	DATE	APPROVED	M NO
A	REMOVED INDIVIDUAL VALVE AND SEAT PART NUMBERS	MTH	RPQ	8.21.07		



BG CAGE VALVE CPT.
SUCTION & DISCHARGE

7

SEE PAGE 9 FOR SEVERE DUTY VALVE ASSEMBLY

3	SEE PAGES 14 & 15	30T INT. ROD SCREW OR CLAMP TYPE	12	
⊗ 2	#44	#44	CAPLUG - (DISCHARGE)	11
⊗ 2	#20-S	#20-S	CAPLUG - (SUCTION)	10
3	SEE PAGES 11 & 13	STANDARD PLUNGER KIT SELECTIONS	9	
* 1	1710269	1710269	BAR, STUFFING BOX ADJUSTMENT NUT	8
6	171150025		VALVE CPT., BG CAGE	7
6		1711450-25	VALVE CPT., SPHERICAL	6
6	1709033	1709033	SPRING, BALL VALVE	5
6	17094276	17094276	CAGE, VALVE	4
9	1711112	1711112	SEAL, VALVE CAGE	3
3	1709073	1709073	COVER, CYLINDER TOP	2
1	170906814	170906814	CYLINDER ONLY, FLUID	1
QTY REQ'D	PART NUMBERS		MATERIAL/SPECIFICATION	ITEM NO.
	170906614 (IN ALUM. BRZ.) ASSY. WITH BG CAGE VALVES	170906614-S (IN ALUM. BRZ.) ASSY. WITH SPHERICAL VALVES	* ITEM NOT SHOWN FOR CLARITY ⊗ FOR SHIPPING PURPOSES ONLY	

LIST OF MATERIAL



HOUSTON, TEXAS U.S.A. ENGINEERING, McALESTER, OKLAHOMA

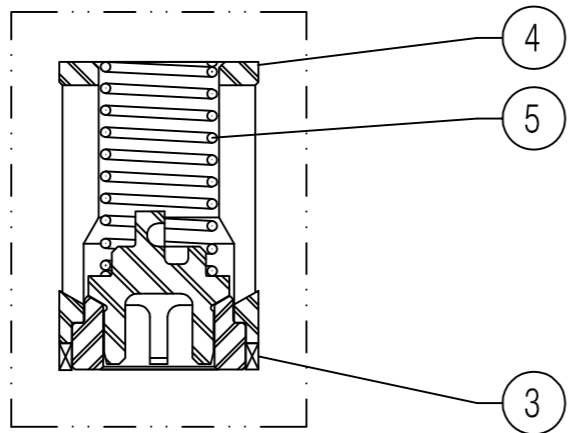
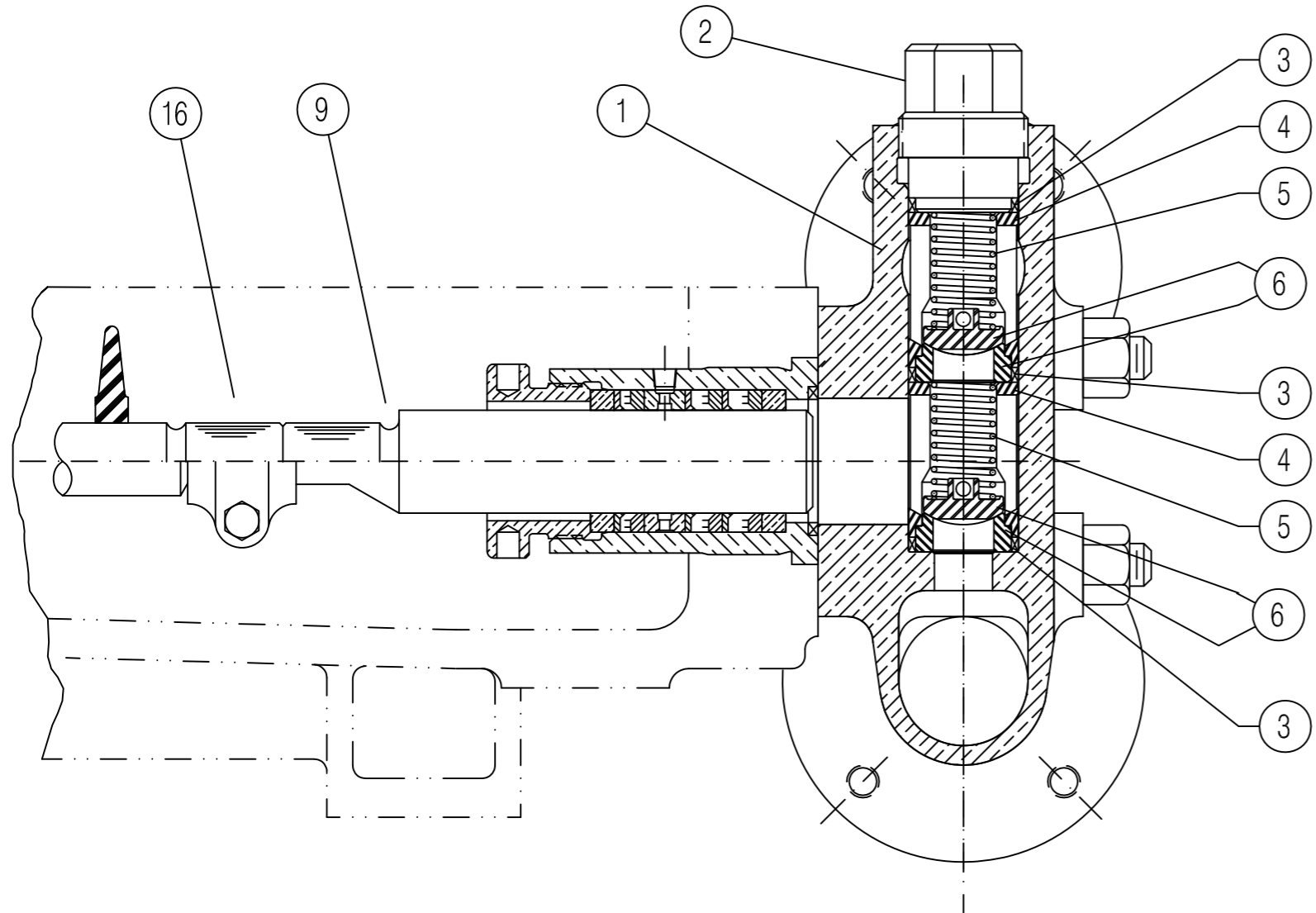
TITLE
FLUID END ASSEMBLY (THREADED)
30T-2L TRIPLEX PLUNGER PUMP

SIZE	REFERENCE No.	DRAWING No.	REV
B		1709520	A

SCALE 1/2 EST WT SHEET 1 OF 1

1

LTR	DESCRIPTION OF CHANGE	MADE	CHKD	DATE	APPROVED	M NO
A	REMOVED INDIVIDUAL VALVE AND SEAT PART NUMBERS	MTH	RPO	8.21.07		



BG CAGE VALVE CPT.
SUCTION & DISCHARGE

7

3	SEE PAGES 14 & 15	30T INT. ROD SCREW OR CLAMP TYPE	16	
△	8	700044211 700044211	SCREW, 3/4 "-10 x 2 1/2 " HEX HD. CAP (DISCH. CONN.)	15
△	8	700039811 700039811	SCREW, 5/8 "-11 x 2 1/4 " HEX HD. CAP (SUCTION CONN.)	14
△	2	6908004 6908004	RING, OVAL JOINT R-20	13
△	2	6010016 6010016	GASKET, 2 1/2 " FLAT RING	12
⊗	2	#250 #250	CAPLUG	11
⊗	2	#19 #19	CAPLUG	10
	3	SEE PAGES 11 & 13	STANDARD PLUNGER KIT SELECTIONS	9
*	1	1710269 1710269	BAR, STUFFING BOX ADJUSTMENT NUT	8
	6	171150025	VALVE CPT., BG CAGE	7
	6	1711450-25	VALVE CPT., SPHERICAL	6
	6	1709033 1709033	SPRING, BALL VALVE	5
	6	17094276 17094276	CAGE, VALVE	4
	9	1711112 1711112	SEAL, VALVE CAGE	3
	3	1709073 1709073	COVER, CYLINDER TOP	2
	1	170931414 170931414	CYLINDER ONLY, FLUID	1

QTY REQ'D	PART NUMBERS	MATERIAL/SPECIFICATION	ITEM NO.
	170931314 (NI. ALUM. BRZ.) ASSY. WITH BG CAGE VALVES	170931314-S (NI. ALUM. BRZ.) ASSY. WITH SPHERICAL VALVES	
	* ITEM NOT SHOWN FOR CLARITY		
	⊗ FOR SHIPPING PURPOSES ONLY		
	△ SHIPPED SEPERATELY		

LIST OF MATERIAL

SEE PAGE 9 FOR SEVERE DUTY VALVE ASSEMBLY

NOV NATIONAL OILWELL VARCO
HOUSTON, TEXAS U.S.A. ENGINEERING, McALESTER, OKLAHOMA

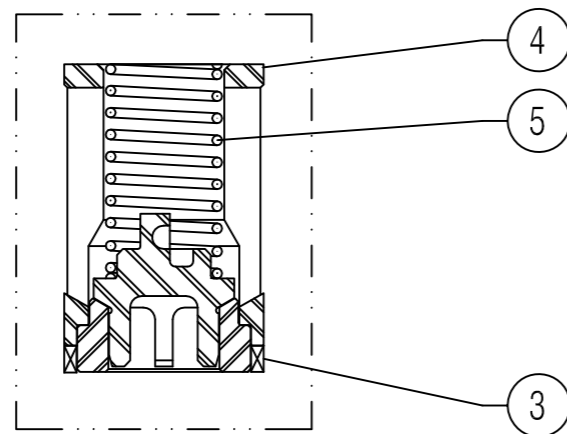
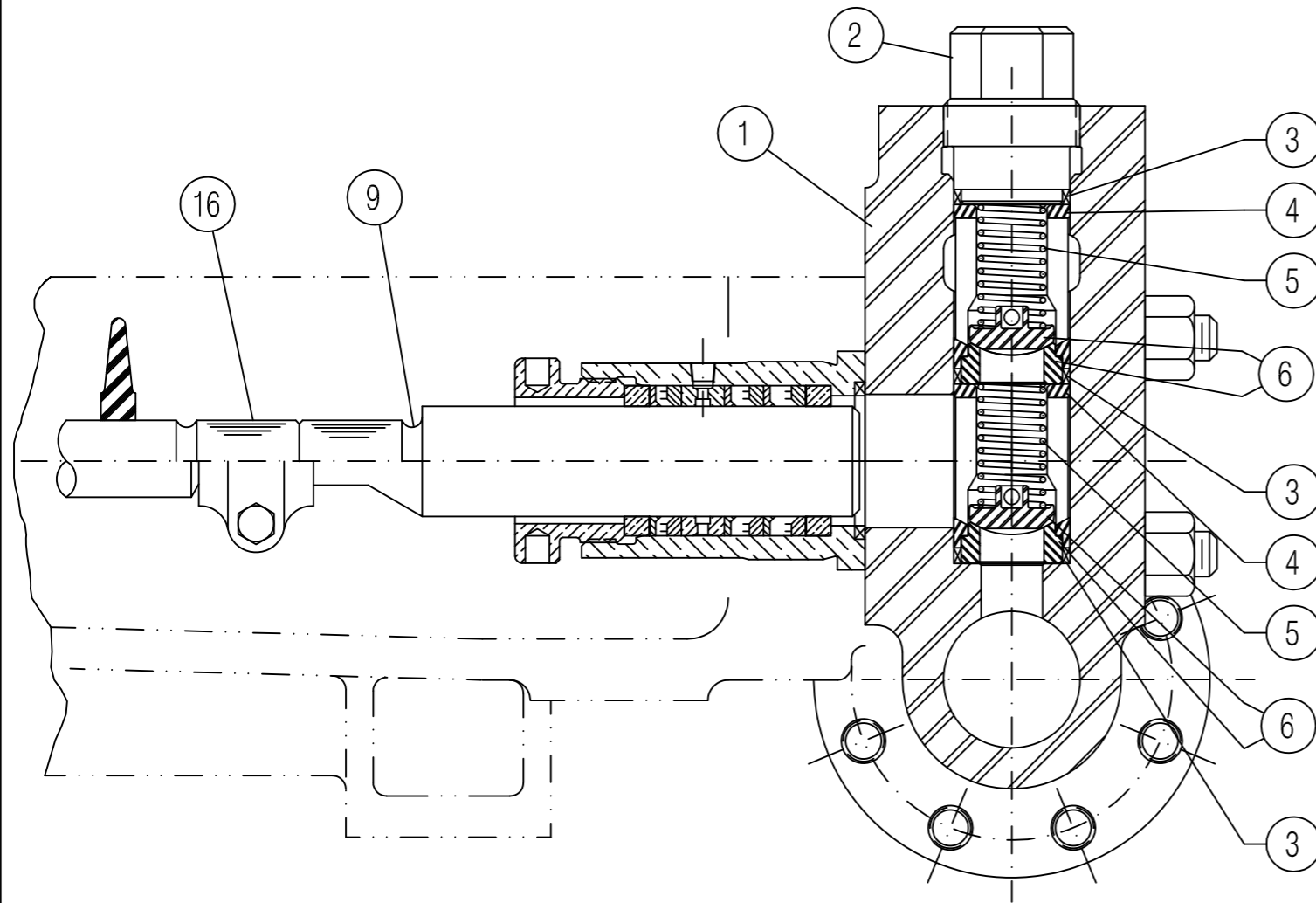
TITLE: FLUID END ASSEMBLY (FLANGED)
30T-2L TRIPLEX PLUNGER PUMP

SIZE	REFERENCE No.	DRAWING No.	REV
B		1709521	A

SCALE 1/2 EST WT SHEET 1 OF 1

2

LTR	DESCRIPTION OF CHANGE	MADE	CHKD	DATE	APPROVED	M NO
A	REMOVED INDIVIDUAL VALVE AND SEAT PART NUMBERS	MTH	RPQ	8.21.07		



7
BG CAGE VALVE CPT.
SUCTION & DISCHARGE

3	SEE PAGES 14 & 15	30T INT. ROD SCREW OR CLAMP TYPE	16		
△	8	700044211	700044211	SCREW, 3/4"-10 x 2 1/2" HEX HD. CAP (DISCH. CONN.)	15
△	8	700044011	700044011	SCREW, 3/4"-10 x 2" HEX HD. CAP (SUCTION CONN.)	14
△	2	6908004	6908004	RING, OVAL JOINT R-20	13
△	2	6010015	6010015	GASKET, 2 1/2" FLAT RING	12
⊗	2	#250	#250	CAPLUG	11
⊗	2	#19	#19	CAPLUG	10
	3	SEE PAGES 11 & 13	STANDARD PLUNGER KIT SELECTIONS	9	
*	1	1710269	1710269	BAR, STUFFING BOX ADJUSTMENT NUT	8
	6	171150025		VALVE CPT., BG CAGE	7
	6		1711450-25	VALVE CPT., SPHERICAL	6
	6	1709033	1709033	SPRING, BALL VALVE	5
	6	17094276	17094276	CAGE, VALVE	4
	9	1711112	1711112	SEAL, VALVE CAGE	3
	3	17090724	17090724	COVER, CYLINDER TOP	2
	1	17099076	17099076	CYLINDER ONLY, FLUID	1
QTY REQ'D	PART NUMBERS		MATERIAL/SPECIFICATION	ITEM NO.	
	17099276 (316 S.S.) ASSY. WITH BG CAGE VALVES	17099276-S (316 S.S.) ASSY. WITH SPHERICAL VALVES	* ITEM NOT SHOWN FOR CLARITY ⊗ FOR SHIPPING PURPOSES ONLY △ SHIPPED SEPERATELY		

LIST OF MATERIAL

SEE PAGE 9 FOR SEVERE DUTY VALVE ASSEMBLY

NOV NATIONAL OILWELL VARCO

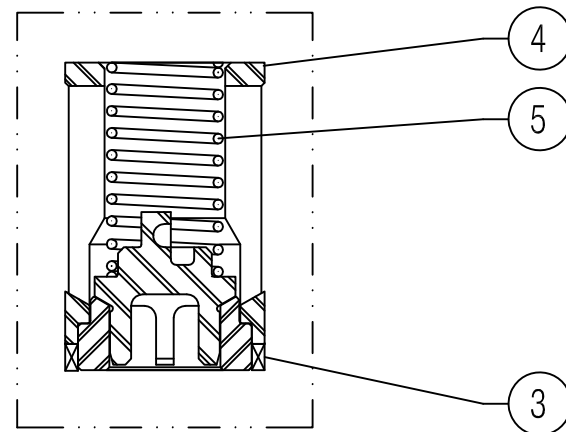
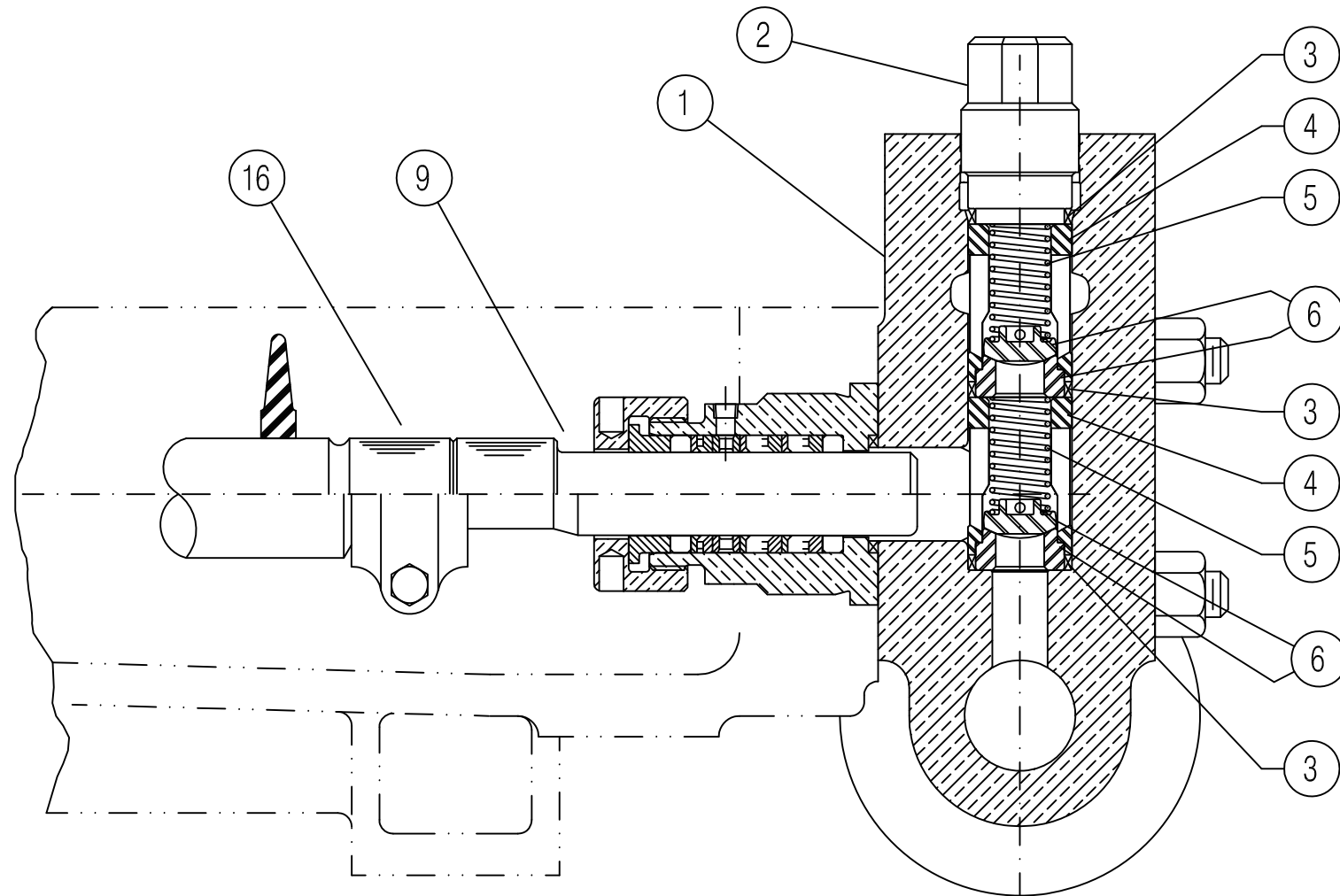
HOUSTON, TEXAS U.S.A. ENGINEERING, McALESTER, OKLAHOMA

TITLE
FLUID END ASSEMBLY (S.S.)
30T-2L TRIPLEX PLUNGER PUMP

SIZE	REFERENCE No.	DRAWING No.	REV
B		1709522	A

SCALE	EST WT	SHEET
1/2		1 OF 1

LTR	DESCRIPTION OF CHANGE	MADE	CHKD	DATE	APPROVED	M NO
A	REMOVED INDIVIDUAL VALVE AND SEAT PART NUMBERS	MTH	RPQ	8.21.07		



7
BG CAGE VALVE CPT.
SUCTION & DISCHARGE

3	SEE PAGES 14 & 15	30T INT. ROD SCREW OR CLAMP TYPE	16		
△	8	700048510	700048510	SCREW, 7/8"-9 x 3" HEX HD. CAP (DISCH. CONN.)	15
△	16	700039711	700039711	SCREW, 5/8"-11 x 2" HEX HD. CAP (SUCTION CONN.)	14
△	2	6908002	6908002	RING, OVAL JOINT R-18	13
△	2	6010024	6010024	GASKET, 2" FLAT RING	12
⊗	2	#250	#250	CAPLUG	11
⊗	2	#16	#16	CAPLUG	10
*	3	SEE PAGES 11 & 13	STANDARD PLUNGER KIT SELECTIONS	9	
	1	1710269	1710269	BAR, STUFFING BOX ADJUSTMENT NUT	8
	6	171050025		VALVE CPT., BG CAGE (INCL. #10 & #11)	7
	6		1710510-25	VALVE CPT., SPHERICAL (INCL. #8 & #9)	6
	6	1709326	1709326	SPRING, BALL VALVE	5
	6	17093356	17093356	CAGE, VALVE	4
	9	1710112	1710112	SEAL, VALVE CAGE	3
	3	1710144	1710144	COVER, CYLINDER TOP	2
	1	170935414	170935414	CYLINDER ONLY, FLUID	1
QTY REQ'D	PART NUMBERS		MATERIAL/SPECIFICATION	ITEM NO.	

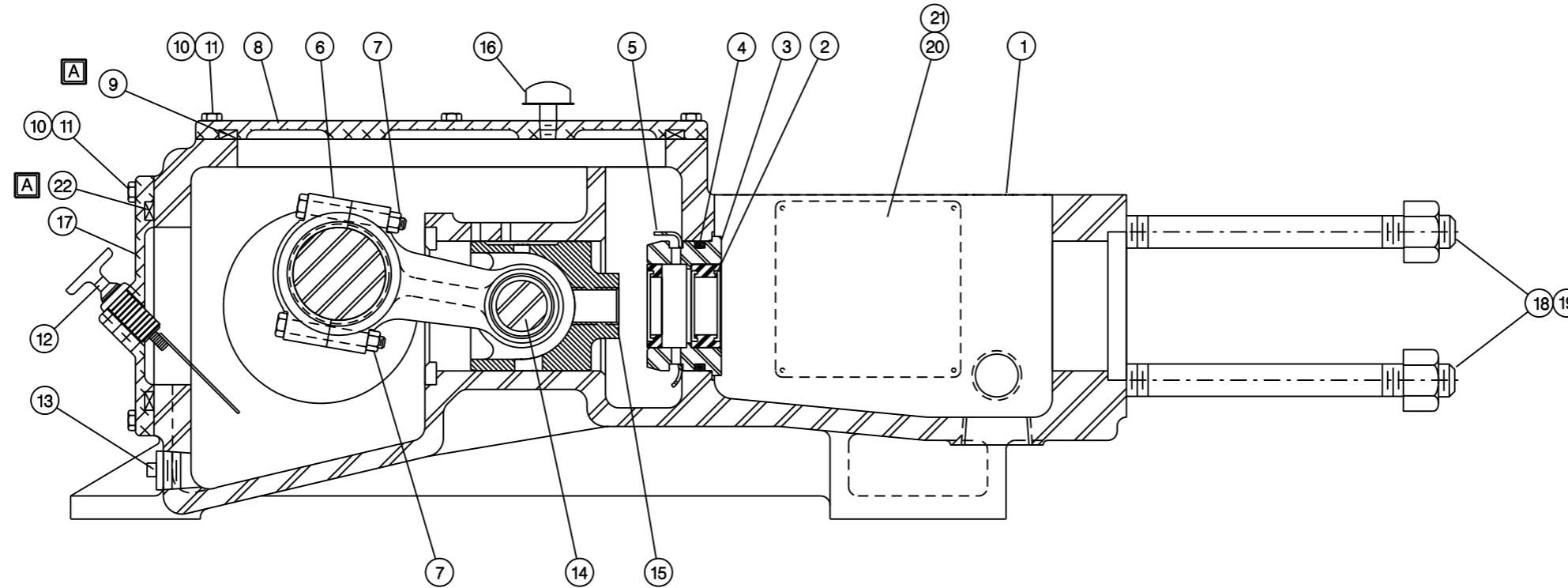
	170935314 (NI ALUM. BRZ.) ASSY. WITH BG CAGE VALVES	170935314-S (NI ALUM. BRZ.) ASSY. WITH SPHERICAL VALVES	* ITEM NOT SHOWN FOR CLARITY
			⊗ FOR SHIPPING PURPOSES ONLY
			△ SHIPPED SEPERATELY

LIST OF MATERIAL

SEE PAGE 9 FOR SEVERE DUTY VALVE ASSEMBLY

NOV NATIONAL OILWELL VARCO			
HOUSTON, TEXAS U.S.A.		ENGINEERING, McALESTER, OKLAHOMA	
TITLE			
FLUID END ASSEMBLY			
30T-2H TRIPLEX PLUNGER PUMP			
SIZE	REFERENCE No.	DRAWING No.	REV
B		1709523	A
SCALE	EST WT	SHEET 1 OF 1	
1/2			

LTR	DESCRIPTION OF CHANGE	MADE	CHKD	DATE	APPROVED	M NO
A	REVISED COVER GASKET	DCP	RPO	10-25-00		



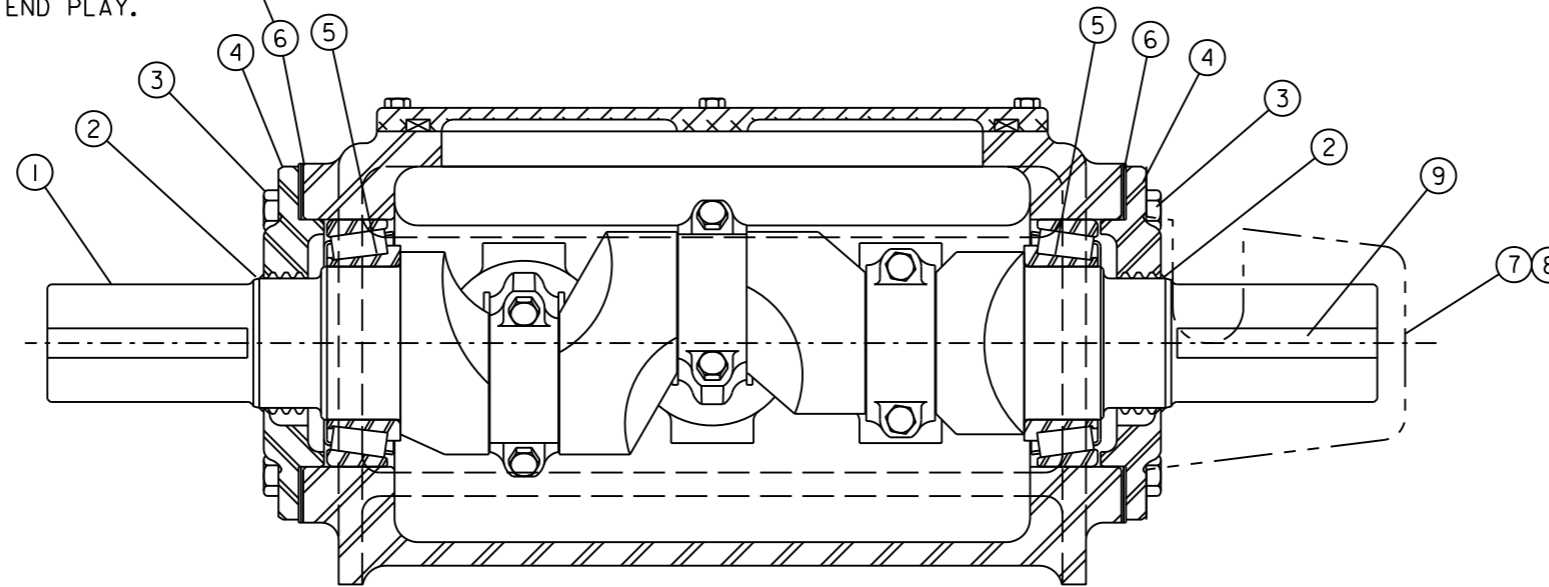
POWER END ASSEMBLY

[A]	1	1709113	GASKET, REAR COVER	22
	1	G-2407274	PLATE, WARNING	21
	4	7178025	SCREW, *2-1/4 DRIVE	20
	8	75-510-314	NUT, 7/8"-9 HEX	19
	8	49-005-944	STUD, 7/8"-9 x 8" LG	18
	1	1709015	PLATE, P.E. REAR COVER	17
	1	7802020	BREATHER	16
	3	1709005	CROSSHEAD	15
	3	1709008	PIN, CROSSHEAD	14
	1	6873006	PLUG, 3/4" SQ. HD. PIPE	13
	1	2400055	DIPSTICK	12
	14	7621020	WASHER	11
	14	7000158-11	SCREW, H.H. CAP 5/16 " x 1-1/4" LG.	10
[A]	1	1709114	GASKET, TOP COVER	9
	1	1709014	PLATE P.E. TOP COVER	8
	6	6310050	NUT, FLEX LOC	7
	3	1709400	ROD, COMPLETE CONNECTING	6
	3	G-1709519	CLIP, INT. ROD RETAINER	5
	3	2410031-338	SEAL, INT ROD RETAINER	4
	3	G-1709518	RETAINER, INT. ROD	3
	9	7822030	WIPER, INT. ROD OIL	2
	1	1709001	FRAME, MAIN	1
	QTY REQD	PART NO.	DESCRIPTION	ITEM NO.

LIST OF MATERIAL

NOV NATIONAL OILWELL VARCO			
POWER END ASSEMBLY 30T-2 TRIPLEX PUMP			
SIZE D	REFERENCE No.	DRAWING No. 1709524	REV A
SCALE NONE	EST WT	SHEET 1 OF 1	

SHIM BEARING RETAINERS TO
PROVIDE .005-.003
CRANKSHAFT END PLAY.



CRANKSHAFT ASSEMBLY

* OPTIONAL EQUIPMENT

** FURNISHED ONLY WHEN NO
ACCESSORY DRIVES ARE
REQUIRED.

1	1709015	KEY, CRANKSHAFT ($\frac{5}{8}$ x $\frac{5}{8}$ x 4)	9
1	1709129	COVER, CRANKSHAFT (FOR LUBRICATOR)	8
* 1	1709128	COVER, CRANKSHAFT EXTENSION	7
2	1712620	SHIM, .020" BEARING RETAINER	6
6	1712627	SHIM, .007" BEARING RETAINER	
6	1712625	SHIM, .005" BEARING RETAINER	
2	ZT-3254	BEARING, MAIN ROLLER	5
2	1709011	RETAINER, BEARING	4
12	2401180	SCREW, DRLD. HD. $\frac{1}{2}$ " x $\frac{1}{4}$ " LG.	3
2	7804047	EXCLUDER	2
1	1709002	CRANKSHAFT	1
QTY REQ'D	PART NO.	DESCRIPTION	ITEM NO.

LIST OF MATERIAL

NOV NATIONAL OILWELL VARCO

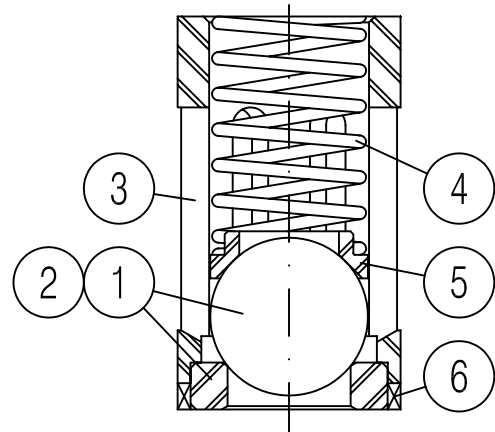
TITLE
CRANKSHAFT ASSEMBLY
30T-2 TRIPLEX PUMP

SIZE REFERENCE No. DRAWING No. REV
D 1709525

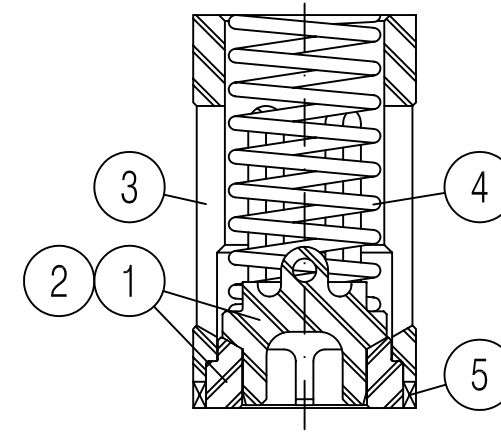
SCALE 1/2 EST WT SHEET 1 OF 1

1	1711112	1710112	SEAL	6
1	1709025	1709105	RETAINER, SPRING	5
1	1709010	1709103	SPRING	4
1	1709007-6	1709101-6	CAGE	3
1	1711106	1709106	VALVE & SEAT (DISCHARGE)	2
1	1711106	1709106	VALVE & SEAT (SUCTION)	1
QTY. REQ'D.	PART NO. 30T-2L	PART NO. 30T-2H	DESCRIPTION	ITEM NO.
LIST OF MATERIAL				

1	1711112	1710112	SEAL	5
1	1709033	1709326	SPRING	4
1	1709427-6	1709335-6	CAGE	3
1	1711500-25	1710500-25	VALVE & SEAT (DISCHARGE)	2
1	1711500-25	1710500-25	VALVE & SEAT (SUCTION)	1
QTY. REQ'D.	PART NO. 30T-2L	PART NO. 30T-2H	DESCRIPTION	ITEM NO.
LIST OF MATERIAL				

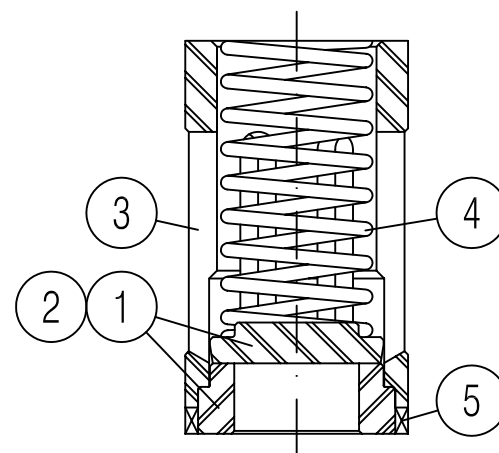


30T - 2L & (2H & 2PO)
CAGE TYPE
BALL VALVE



30T - 2LCA & 2HCA
BOTTOM GUIDED
CAGE TYPE VALVE

1	1711112	1710112	SEAL	5
1	1709033	1709326	SPRING	4
1	1709027-6	1709335-6	CAGE	3
1	1711332	1710332	VALVE & SEAT (DISCHARGE)	2
1	1711330	1710330	VALVE & SEAT (SUCTION)	1
QTY. REQ'D.	PART NO. 30T-2L	PART NO. 30T-2H	DESCRIPTION	ITEM NO.
LIST OF MATERIAL				



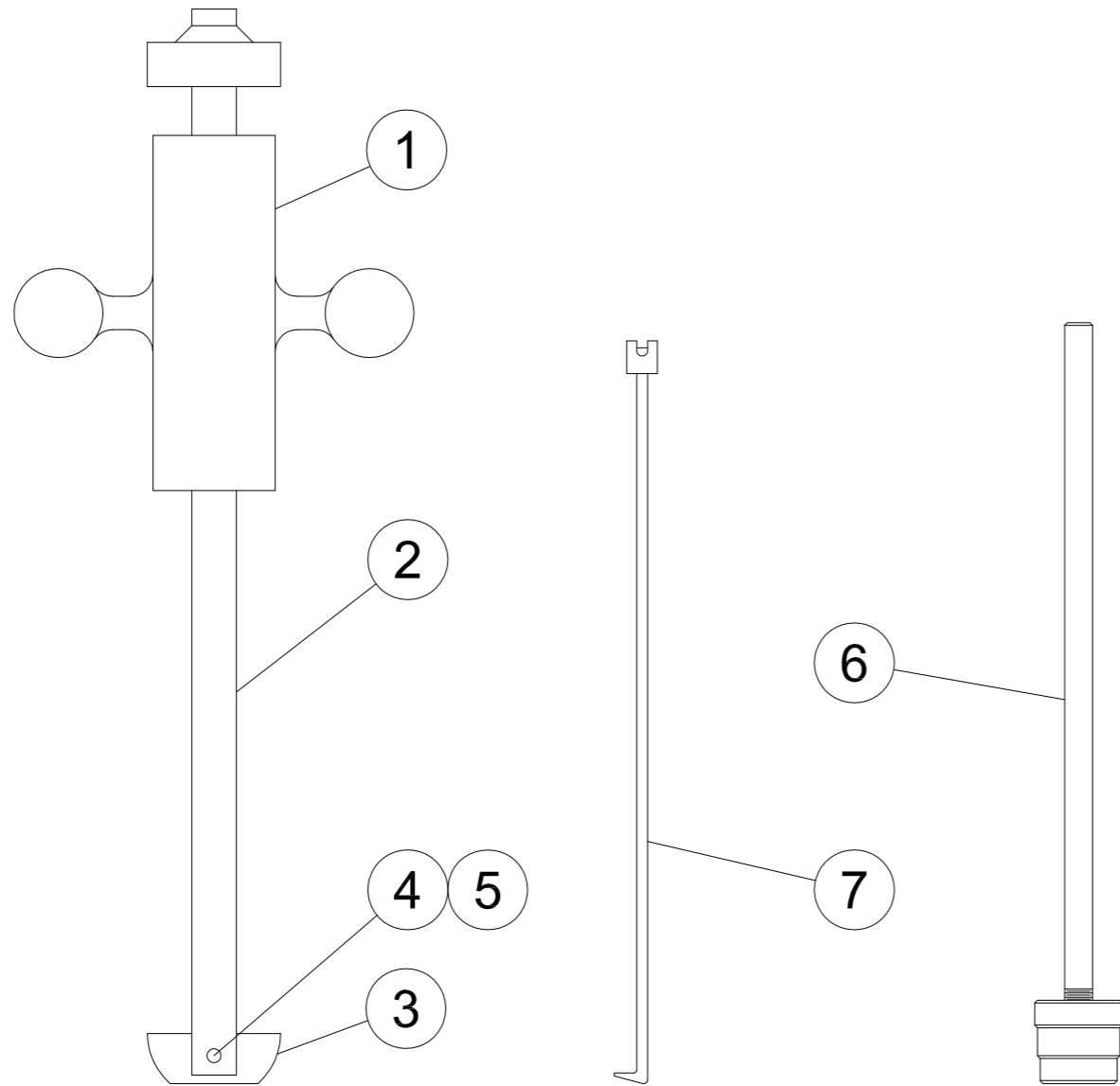
30T - 2LCA & 2HCA
CAGE TYPE
DISC VALVE

NOV NATIONAL OILWELL VARCO
HOUSTON, TEXAS U.S.A. ENGINEERING, McALESTER, OKLAHOMA

TITLE: CAGE TYPE VALVE ASSEMBLY
30T-2 TRIPLEX PLUNGER PUMP

SIZE	REFERENCE No.	DRAWING No.	REV
B		1709526	
SCALE	EST WT	SHEET 1 OF 1	
1/2			

LTR	DESCRIPTION OF CHANGE	MADE	CHKD	DATE	APPROVED	M No
A	REVISED	DCP	RPQ	2.22.08	RPQ	



30T - 2LCA			
ITEM No.	PART No.	DESCRIPTION	QTY. REQD.
	1711251	VALVE KIT COMPLETE	1
	1711249	BAR CPT. (INCL. 2-5)	1
1	1790080	BUMPER	1
2	1710250	BAR	1
3	1711252	PLATE	1
4	6572016	PIN	1
5	6571216	PIN	1
6	1790041	DRIVER	1
7	1790034	RETRIEVER	1

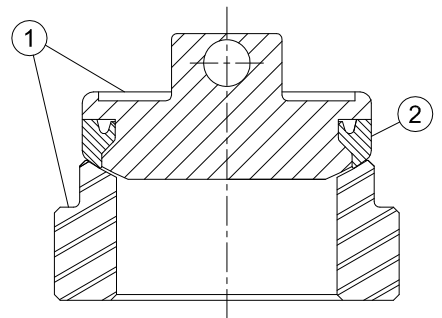
30T - 2HCA / 2PO			
ITEM No.	PART No.	DESCRIPTION	QTY. REQD.
	1710292	VALVE KIT COMPLETE	1
	1710249	BAR CPT. (INCL. 2-5)	1
1	1790080	BUMPER	1
2	1710250	BAR	1
3	1710252	PLATE	1
4	6572016	PIN	1
5	6571216	PIN	1
6	1790040	DRIVER	1
7	1790034	RETRIEVER	1

CAGE TYPE VALVE KIT
(SPHERICAL, BOTTOM GUIDED, DISC, OR BALL)

8

NOV NATIONAL OILWELL VARCO			
HOUSTON, TEXAS U.S.A.		ENGINEERING, McALESTER, OKLAHOMA	
TITLE VALVE SERVICE KITS 30T-2 PLUNGER PUMP			
SIZE B	REFERENCE No.	DRAWING No. 1709527	REV A
SCALE 1/4	EST WT LBS.	SHEET 1 OF 1	

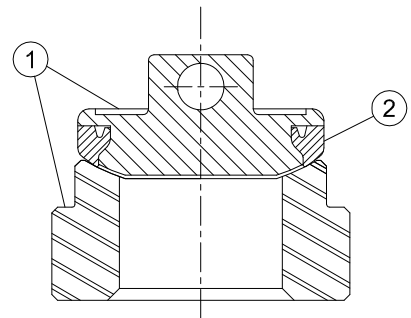
LTR	DESCRIPTION OF CHANGE	MADE	CHKD	DATE	APPROVED	M NO



SUCTION & DISCHARGE

1	9707090	SEAL / INSERT	2
1	1711450-25SD	VALVE CPT., SUCTION & DISCHARGE- SEVERE DUTY	1
QTY REQ'D	PART No.	DESCRIPTION	ITEM No.

30T-2L
CAGE TYPE
SPHERICAL SD TYPE



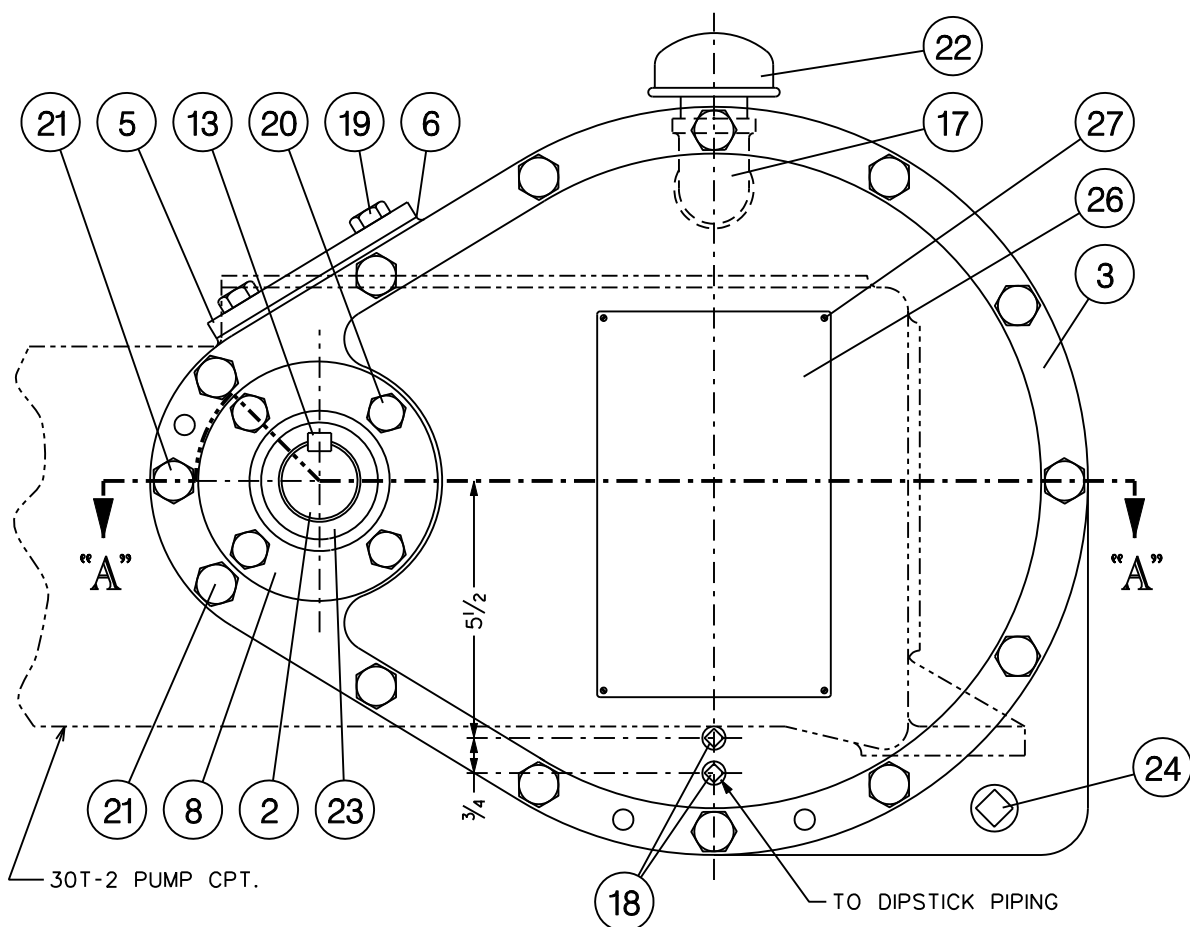
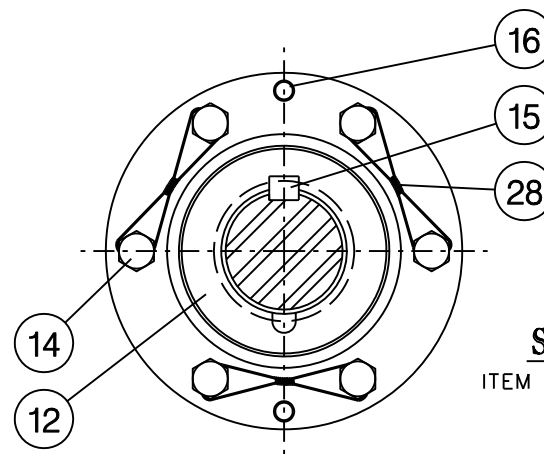
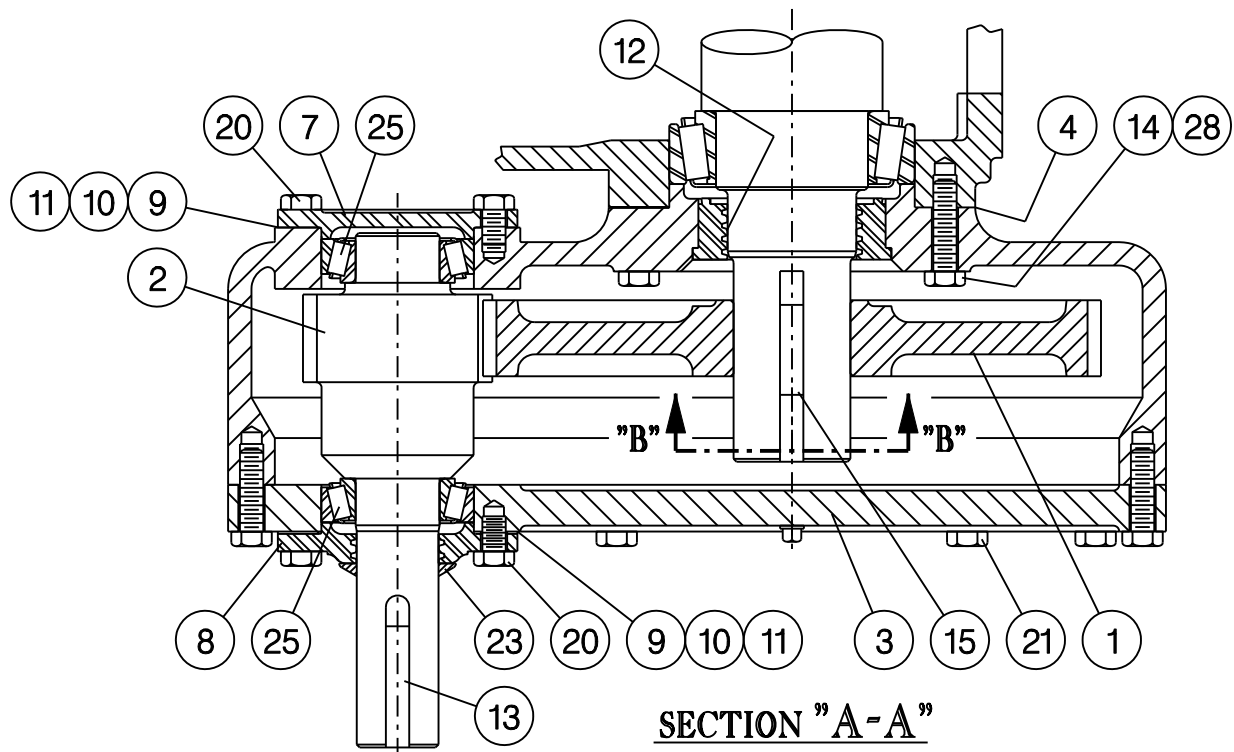
SUCTION & DISCHARGE

1	9707092	SEAL / INSERT	2
1	1710510-25SD	VALVE CPT., SUCTION & DISCHARGE- SEVERE DUTY	1
QTY REQ'D	PART No.	DESCRIPTION	ITEM No.

30T-2H
CAGE TYPE
SPHERICAL SD TYPE

9

NOV NATIONAL OILWELL VARCO			
HOUSTON, TEXAS U.S.A.		ENGINEERING, McALESTER, OKLAHOMA	
TITLE SEVERE DUTY VALVE ASSY. 30T-2 TRIPLEX PLUNGER PUMP			
SIZE A	REFERENCE No.	DRAWING No. 1709541	REV
SCALE	EST WT	SHEET 1 OF 1	



3 FT.	59800016		LOCKWIRE, *16 GA. ANNEALED	28	
4	7178025		SCREW, RD HD DRIVE *2 x 1/4"	27	
1	1711606		PLATE, NAME & INSTRUCTION	26	
2	ZT-1796		BEARING, PINION SHAFT	25	
1	7815056		PLUG, MAGNETIC DRAIN 1"	24	
1	7804042		EXCLUDER, BRG	23	
1	7801120		CAP, BREATHER	22	
10	7000306-11		SCREW, HEX HD CAP 1/2" x 1 3/4"	21	
8	7000301-11		SCREW, HEX HD CAP 1/2" x 3/4"	20	
4	7000303-11		SCREW, HEX HD CAP 1/2" x 1"	19	
2	6874002		PLUG, STD PIPE 1/4"	18	
1	6829003		ELBOW, STD 3/8" x 90° STREET	17	
2	6580828		PIN, TAPER *8 x 1 3/4"	16	
1	2404050		KEY, GEAR 5/8" x 5/8" x 3"	15	
6	2402010		SCREW, HEX HD DRLD 1/2" x 2"	14	
1	2401830		KEY, PINION 1/2" x 1/2" x 3"	13	
1	1709028		SEAL, LABYRINTH	12	
6	1709627		SHIM, BEARING RETAINER .007	11	
6	1709625		SHIM, BEARING RETAINER .005	10	
2	1709620		SHIM, BEARING RETAINER .020	9	
1	1709605		CAP, H.S. PINION BRG OPEN	8	
1	1709604		CAP, H.S. PINION BRG BLIND	7	
1	1710619		GASKET, INSPECTION COVER	6	
1	2206529		COVER, INSPECTION	5	
1	7817200-68		GASKET, LOCTITE PLASTIC	4	
1	1709602	1709602	1709602	HOUSING CPT, GEAR REDUCER	3
1	1709614	1709613	1709612	PINION	2
1	1709609	1709610	1709611	GEAR	1
QTY REQ'D	PART NO.	PART NO.	PART NO.	DESCRIPTION	ITEM NO.
	G1709632	1709630	1709634		
	3.50:1 RATIO	3.83:1 RATIO	4.2:1 RATIO		
	GEAR REDUCER ASSY. COMPLETE B/M No.'s				

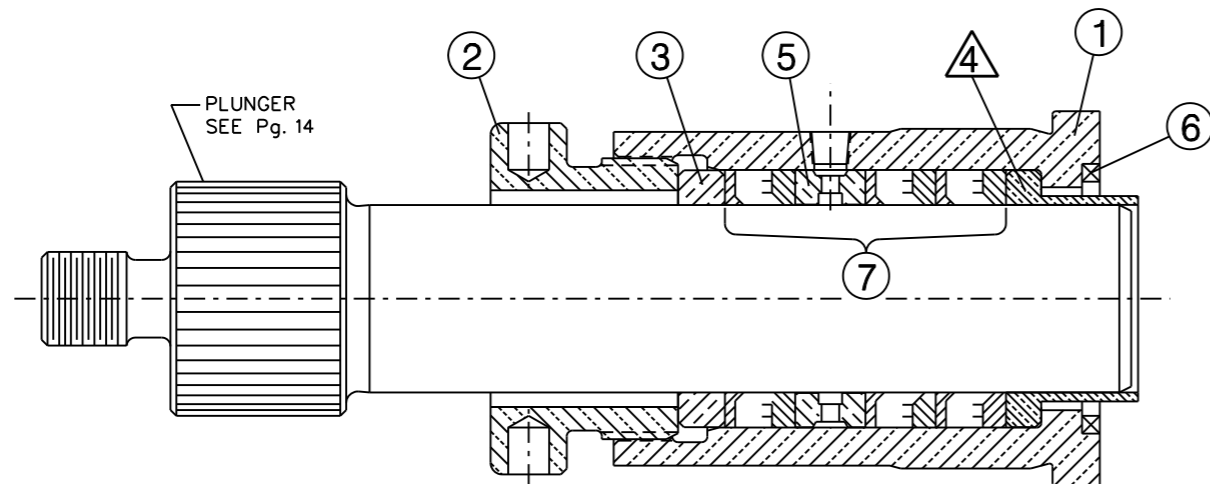
10

NOV NATIONAL OILWELL VARCO

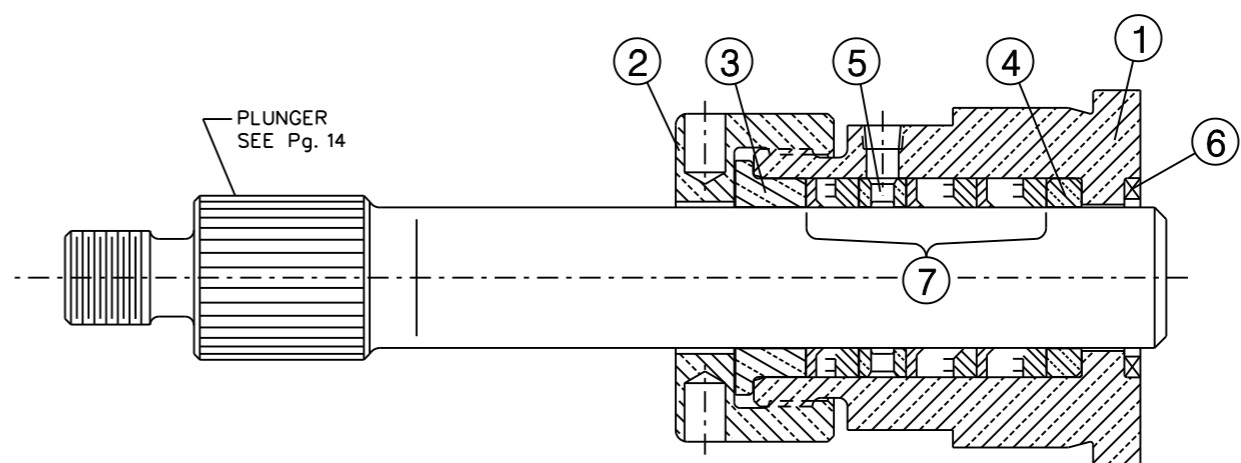
TITLE
GEAR REDUCER ASSEMBLY
30T-2 TRIPLEX PLUNGER PUMP

SIZE REFERENCE No. DRAWING No. REV
B 1709528

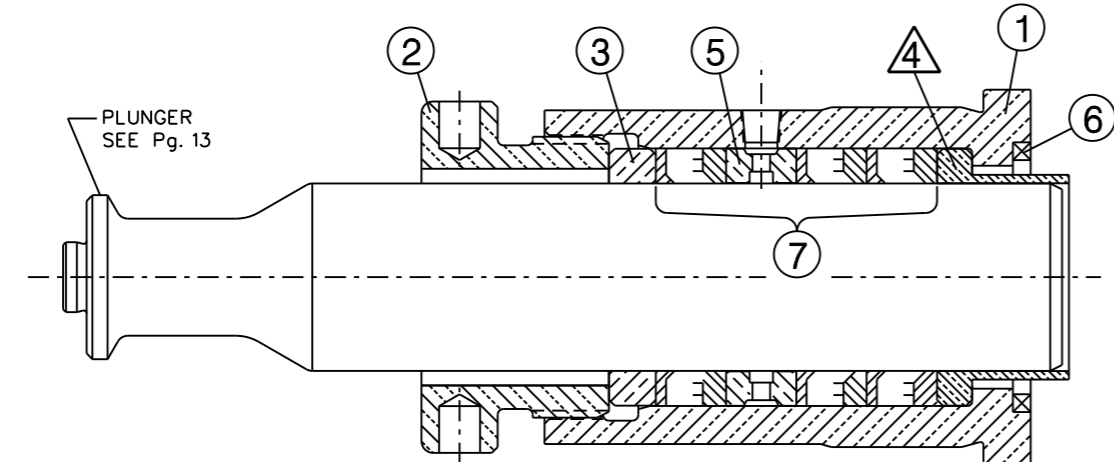
SCALE 1/4 EST WT SHEET 1 OF 1



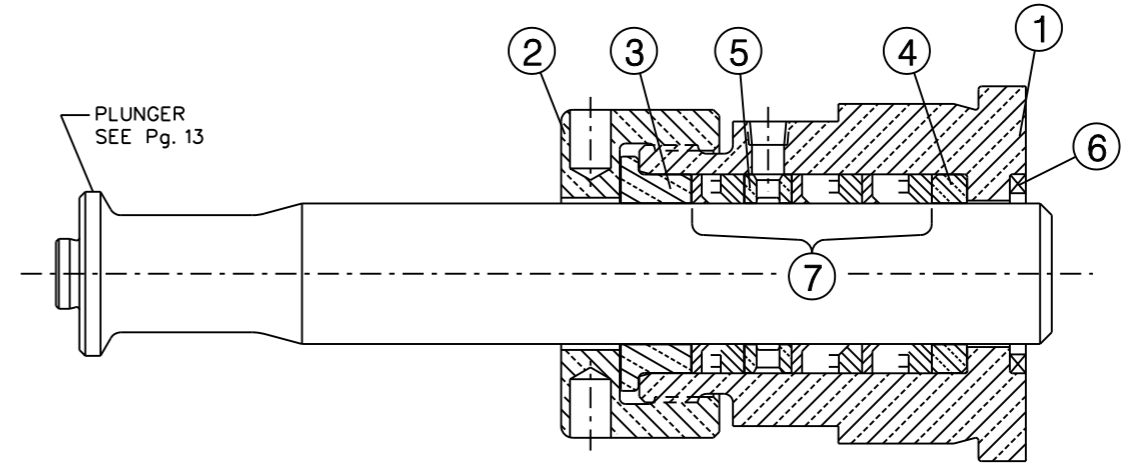
30T-2L PLUNGER KIT
WITH THREADED PLUNGER



30T-2H PLUNGER KIT
WITH THREADED PLUNGER



30T-2L PLUNGER KIT
WITH CLAMPED PLUNGER



30T-2H PLUNGER KIT
WITH CLAMPED PLUNGER

1	6422328	2 1/4" - 850-N UNIVERSAL PACKING	
1	6422322	2" - 850-N UNIVERSAL PACKING	7
1	6422319	1 3/4" - 850-N UNIVERSAL PACKING	
1	6422314	1 1/2" - 850-N UNIVERSAL PACKING	
1	1709004	SEAL, STUFFING BOX	6
1	1709134	2 1/4" LUBE RING	
1	1709133	2" LUBE RING	5
1	1709132	1 3/4" LUBE RING	
1	1709131	1 1/2" LUBE RING	
1	1709091	2 1/4" SLEEVE WASHER	
1	1709090	2" SLEEVE WASHER	4
1	1709089	1 3/4" SLEEVE WASHER	
1	1709088	1 1/2" SLEEVE WASHER	
2	1709098	2 1/4" WASHER	
2	1709097	2" WASHER	3
2	1709096	1 3/4" WASHER	
2	1709095	1 1/2" WASHER	
1	1709065	NUT, ADJUSTING	2
1	1709074	2 1/4" PLG'R x 2 3/4" BORE STUFFING BOX	
1	1709074	2" PLG'R x 2 3/4" BORE STUFFING BOX	1
1	1709074	1 3/4" PLG'R x 2 3/4" BORE STUFFING BOX	
1	1709074	1 1/2" PLG'R x 2 3/4" BORE STUFFING BOX	
QTY REQ'D	PART NO.	DESCRIPTION	ITEM NO.

30T- 2L PLUNGER KIT

1	6422310	1 1/2" - 850-N UNIVERSAL PACKING	
1	6422308	1 3/8" - 850-N UNIVERSAL PACKING	7
1	6422305	1 1/4" - 850-N UNIVERSAL PACKING	
1	2410031-327	SEAL, STUFFING BOX	6
1	1710211	1 1/2" LUBE RING	
1	1710212	1 3/8" LUBE RING	5
1	1710276	1 1/4" LUBE RING	
1	1709211	1 1/2" WASHER	
1	1711220	1 3/8" WASHER	4
1	1710057	1 1/4" WASHER	
1	1709346	1 1/2" GLAND	
1	1709345	1 3/8" GLAND	3
1	1709344	1 1/4" GLAND	
1	1709350	NUT, ADJUSTING	2
1	1709355	1 1/2" PLG'R x 2 1/8" BORE STUFFING BOX	
1	1709355	1 3/8" PLG'R x 2 1/8" BORE STUFFING BOX	1
1	1709356	1 1/4" PLG'R x 2" BORE STUFFING BOX	
QTY REQ'D	PART NO.	DESCRIPTION	ITEM NO.

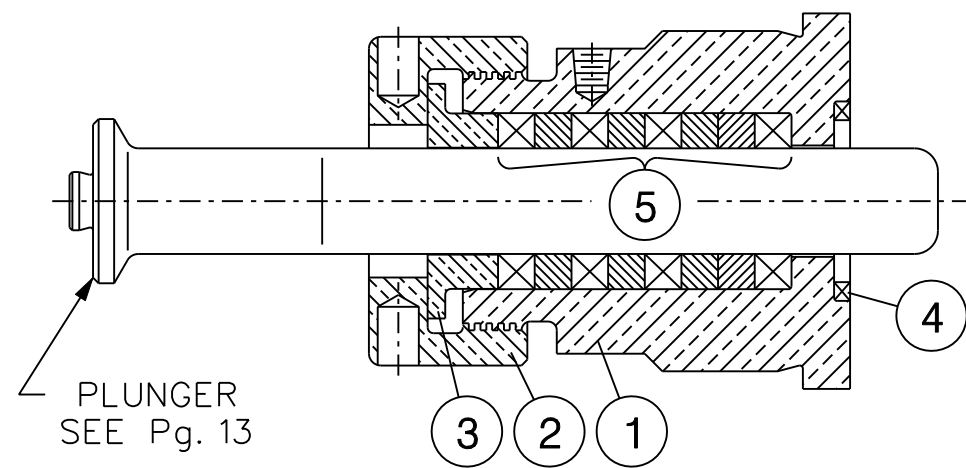
30T- 2H PLUNGER KIT

4 USE ONLY WITH CERAMIC PLUNGER.
REPLACE ONE OF ITEM *3 WITH ITEM *4

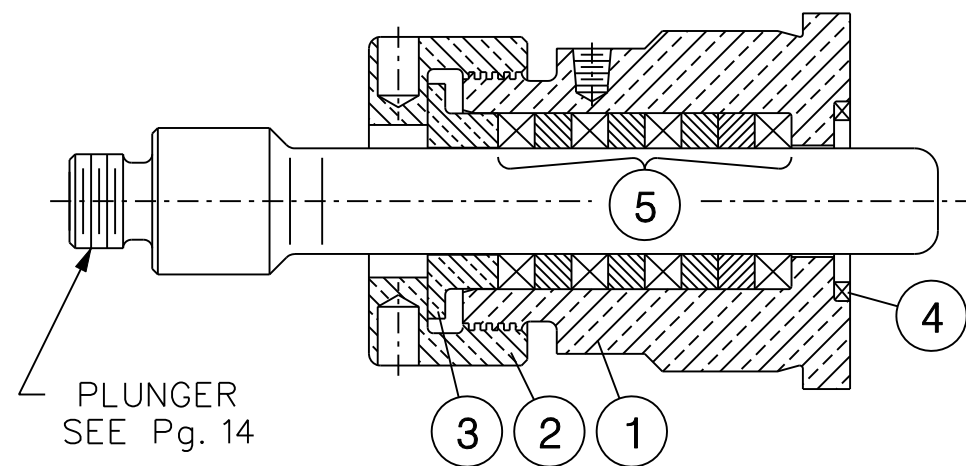
NOV NATIONAL OILWELL VARCO

TITLE
ASSEMBLY, PLUNGER KIT
30T-2L & 2H TRIPLEX PUMP

SIZE	REFERENCE No.	DRAWING No.	REV
B		1709529	
SCALE	NONE	EST WT	SHEET 1 OF 1



30T-2H PLUNGER KIT
WITH CLAMPED PLUNGER



30T-2H PLUNGER KIT
WITH THREADED PLUNGER

1	6420415	1/8" - 1045 UNIVERSAL PACKING	5
1	6420431	1" - 1045 UNIVERSAL PACKING	
1	6420400	15/16" - 1045 UNIVERSAL PACKING	
1	2410031-327	SEAL, STUFFING BOX	4
1	1709343	1/8" GLAND	3
1	1709342	1" GLAND	
1	1709341	15/16" GLAND	2
1	1709350	NUT, ADJUSTING	
1	1709357	1/8" PLG'R x 1 7/8" BORE STUFFING BOX	1
1	1709358	1" PLG'R x 1 3/4" BORE STUFFING BOX	
1	1709359	15/16" PLG'R x 1 1/16" BORE STUFFING BOX	
QTY REQ'D	PART NO.	DESCRIPTION	ITEM NO.

LIST OF MATERIAL

30T - 2H PLUNGER KIT

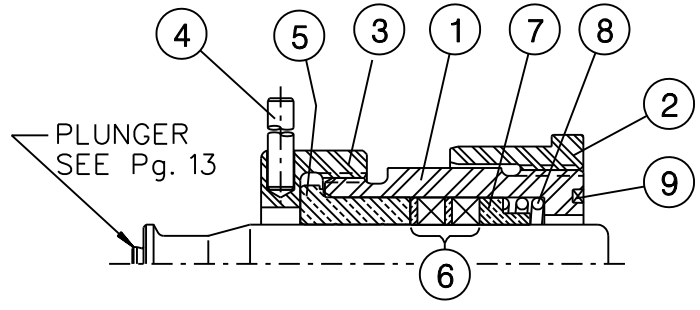
NOV NATIONAL OILWELL VARCO

TITLE ASSEMBLY, PLUNGER KIT
HIGH PRESSURE
30T-2H TRIPLEX PUMP

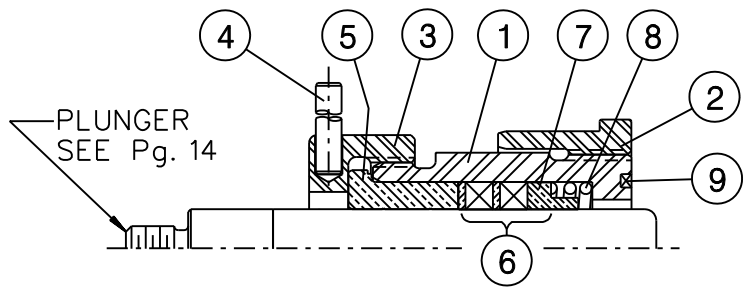
SIZE B	REFERENCE No.	DRAWING No. 1709530	REV
-----------	---------------	------------------------	-----

SCALE 1/2	EST WT	SHEET 1 OF 1
--------------	--------	-----------------

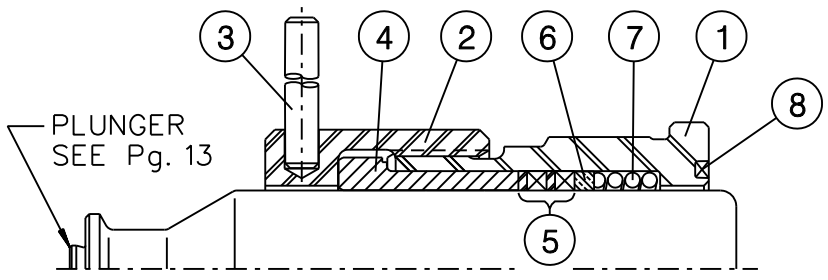
LTR.	DESCRIPTION OF CHANGE	MADE CHK'D	DATE	APPROVED	M No.
A	REVISED	DCP RPQ	02-13-01	RPQ	RPQ



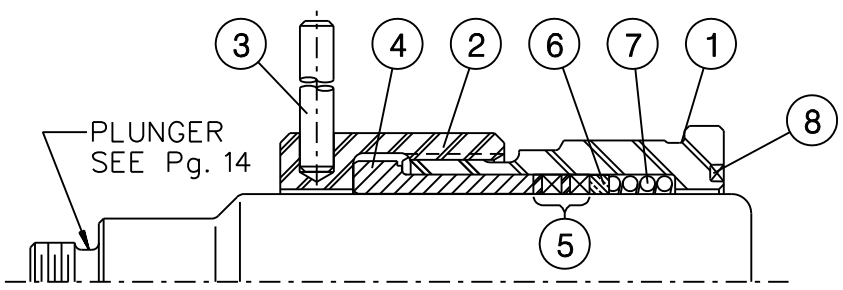
30T-2H (1 5/16" THRU 1 3/8" PLG'R)
PLUNGER KIT WITH CLAMPED PLUNGER



30T-2H (1 5/16" THRU 1 3/8" PLG'R)
PLUNGER KIT WITH THREADED PLUNGER



30T-2L & 30T-2H (1 1/2" THRU 2 1/4" PLG'R)
PLUNGER KIT WITH CLAMPED PLUNGER



30T-2L & 30T-2H (1 1/2" THRU 2 1/4" PLG'R)
PLUNGER KIT WITH THREADED PLUNGER

QTY REQ'D	PART NO.	DESCRIPTION	ITEM NO.
1	2410031-334	SEAL, STUFFING BOX	8
1	342-271	2 1/4" SPRING	
1	L342-260	2" SPRING	7
1	L342-240	1 1/2" & 1 3/4" SPRING	
1	342-366	2 1/4" FOLLOWER	
1	L342-368	2" FOLLOWER	6
1	L342-346	1 3/4" FOLLOWER	
1	L342-344	1 1/2" FOLLOWER	
1	342-764	2 1/4" KEVLAR PACKING	
1	342-768	2" KEVLAR PACKING	5
1	L342-746	1 3/4" KEVLAR PACKING	
1	L342-744	1 1/2" KEVLAR PACKING	
1	342-134	2 1/4" GLAND	
1	342-024	2" GLAND	4
1	L342-146	1 3/4" GLAND	
1	L342-144	1 1/2" GLAND	
1	342-929	PIN, LOCKING	3
1	342-932	ADJUSTING NUT	2
1	342-931	2 1/4" PLG'R x 2 3/4" BORE STUFFING BOX	
1	342-931	2" PLG'R x 2 3/4" BORE STUFFING BOX	1
1	342-917	1 3/4" PLG'R x 2 1/2" BORE STUFFING BOX	
1	342-917	1 1/2" PLG'R x 2 1/2" BORE STUFFING BOX	

LIST OF MATERIAL
30T-2L PLUNGER KIT

QTY REQ'D	PART NO.	DESCRIPTION	ITEM NO.
1	2410031-334	1 1/2" SEAL, STUFFING BOX	
1	2410031-329	15/16 THRU 1 3/8 SEAL, STUFFING BOX	9
1	L342-240	1 1/2" SPRING	
1	L342-210	1 1/8", 1 1/4" & 1 3/8" SPRING	8
1	342-265	1 5/16" & 1" SPRING	
1	L342-344	1 1/2" FOLLOWER	
1	L342-313	1 3/8" FOLLOWER	
1	L342-312	1 1/4" FOLLOWER	7
1	342-311	1 1/8" FOLLOWER	
1	342-351	1" FOLLOWER	
1	342-350	1 5/16" FOLLOWER	
1	L342-744	1 1/2" KEVLAR PACKING	
1	L342-713	1 3/8" KEVLAR PACKING	6
1	L342-712	1 1/4" KEVLAR PACKING	
1	342-711	1 1/8" KEVLAR PACKING	
1	342-749	1" KEVLAR PACKING	
1	342-748	1 5/16" KEVLAR PACKING	
1	L342-144	1 1/2" GLAND	
1	L342-193	1 3/8" GLAND	5
1	L342-192	1 1/4" GLAND	
1	L342-191	1 1/8" GLAND	
1	342-119	1" GLAND	
1	342-118	1 5/16" GLAND	
1	342-929	PIN, LOCKING	4
1	L342-932	1 1/2" ADJUSTING NUT	
1	L342-911	1 5/16" THRU 1 3/8" ADJUSTING NUT	3
1	1709172	1 5/16" THRU 1 3/8" STUFF. BOX BUSHING	2
1	342-917	1 1/2" PLG'R x 2 1/2" BORE STUFFING BOX	
1	L342-909	1 3/8" PLG'R x 2 1/8" BORE STUFFING BOX	
1	L342-909	1 1/4" PLG'R x 2 1/8" BORE STUFFING BOX	1
1	L342-909	1 1/8" PLG'R x 2 1/8" BORE STUFFING BOX	
1	342-944	1" PLG'R x 1 3/4" BORE STUFFING BOX	
1	342-943	1 5/16" PLG'R x 1 1/16" BORE STUFFING BOX	

LIST OF MATERIAL
30T-2H PLUNGER KIT

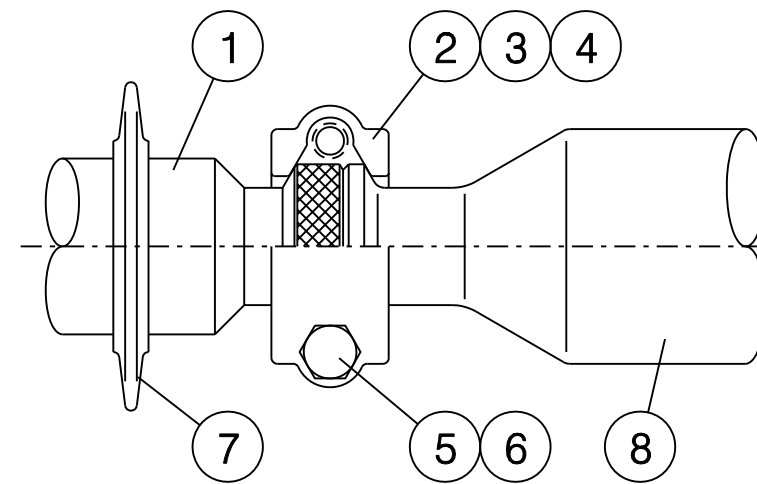
NOTE:
USE 2 SETS OF PACKING
FOR 3 PLUNGERS

NOV NATIONAL OILWELL VARCO

TITLE ASSEMBLY, SS PLUNGER KITS
WITH KEVLAR PACKING
30T-2L/2H TRIPLEX PUMP

SIZE B	REFERENCE No.	DRAWING No. 1709531	REV A
SCALE NONE	EST WT	SHEET 1 OF 1	

BILL OF MATERIAL		
ITEM	PART NO.	DESCRIPTION
1	L340-002	INTERMEDIATE ROD, S.S.
2	L340-001	CLAMP COMPLETE
3	L340-001-1	CLAMP, BOLT HALF
4	L340-001-2	CLAMP, THREAD HALF
5	L195-063	CAPSCREW, HEX HEAD
6	L195-064	WASHER, SPRING LOCK
7	1709018	BAFFLE, INTERMEDIATE ROD



DOUBLE TAPER CLAMP

* LISTED PART No.'s WERE PREVIOUSLY HARD COAT PLUNGERS

PLUNGERS FOR DOUBLE TAPER CLAMPS			
30T – 2L			
ITEM	* PART NO.*	PART NO.	DESCRIPTION
8	1709386	340-119	2 1/4" CARBIDE PLUNGER
	1709385	340-118	2" CARBIDE PLUNGER
	1709384	340-116	1 3/4" CARBIDE PLUNGER
	1709383	340-114	1 1/2" CARBIDE PLUNGER
30T – 2H			
	1709383	340-114	1 1/2" CARBIDE PLUNGER
	1709382	340-113	1 3/8" CARBIDE PLUNGER
	1709381	340-112	1 1/4" CARBIDE PLUNGER
	1709380	340-111	1 1/8" CARBIDE PLUNGER
	1709379	340-110	1" CARBIDE PLUNGER
	1709378	340-109	15/16" CARBIDE PLUNGER

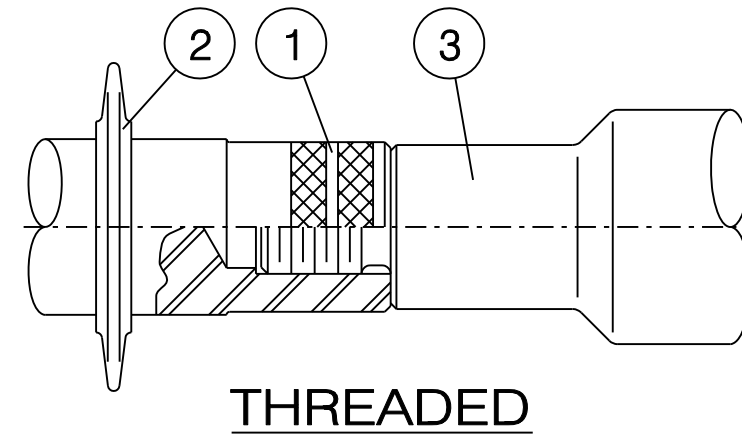
PLUNGERS FOR DOUBLE TAPER CLAMPS		
30T – 2L		
ITEM	PART NO.	DESCRIPTION
8	1709376	2 1/4" CERAMIC PLUNGER
	1709375	2" CERAMIC PLUNGER
	1709374	1 3/4" CERAMIC PLUNGER
	1709373	1 1/2" CERAMIC PLUNGER
30T – 2H		
	1709373	1 1/2" CERAMIC PLUNGER
	1709082	1 3/8" CERAMIC PLUNGER
	-----	1 1/4" CERAMIC PLUNGER
	-----	1 1/8" CERAMIC PLUNGER
	-----	1" CERAMIC PLUNGER
	-----	15/16" CERAMIC PLUNGER

NOV NATIONAL OILWELL VARCO

TITLE PLUNGER/INTERMEDIATE ROD ASSY.
DOUBLE TAPER CLAMP
30T-2 PLUNGER PUMP

SIZE B	REFERENCE No.	DRAWING No. 1709532	REV
SCALE 1/2	EST WT	SHEET 1 OF 1	

BILL OF MATERIAL		
ITEM	PART NO.	DESCRIPTION
1	340-020	INTERMEDIATE ROD, S.S.
2	1709018	BAFFLE, INTERMEDIATE ROD



THREADED PLUNGERS			
30T - 2L			
ITEM	* PART NO.*	PART NO.	DESCRIPTION
3	1709046	340-159	2 1/4" CARBIDE PLUNGER
	1709045	340-158	2" CARBIDE PLUNGER
	1709044	340-156	1 3/4" CARBIDE PLUNGER
	1709043	340-154	1 1/2" CARBIDE PLUNGER
30T - 2H			
	1709043	340-154	1 1/2" CARBIDE PLUNGER
	1709042	340-153	1 3/8" CARBIDE PLUNGER
	1709041	340-152	1 1/4" CARBIDE PLUNGER
	1709040	L340-151	1 1/8" CARBIDE PLUNGER
	1709039	340-157	1" CARBIDE PLUNGER
	1709038	340-155	15/16" CARBIDE PLUNGER

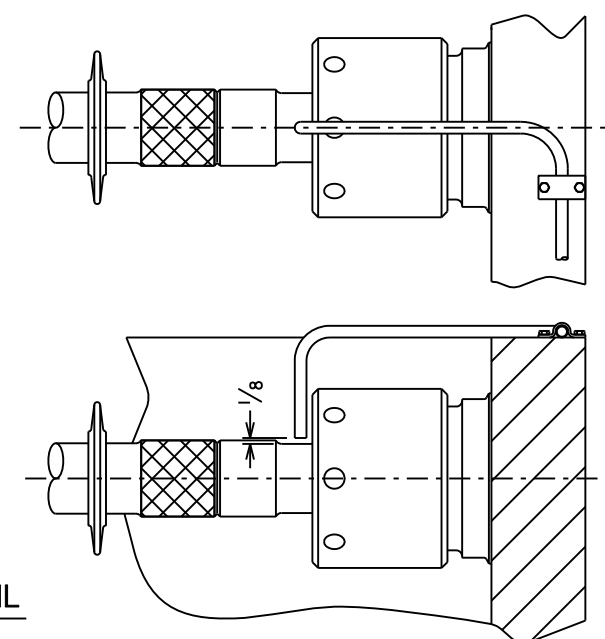
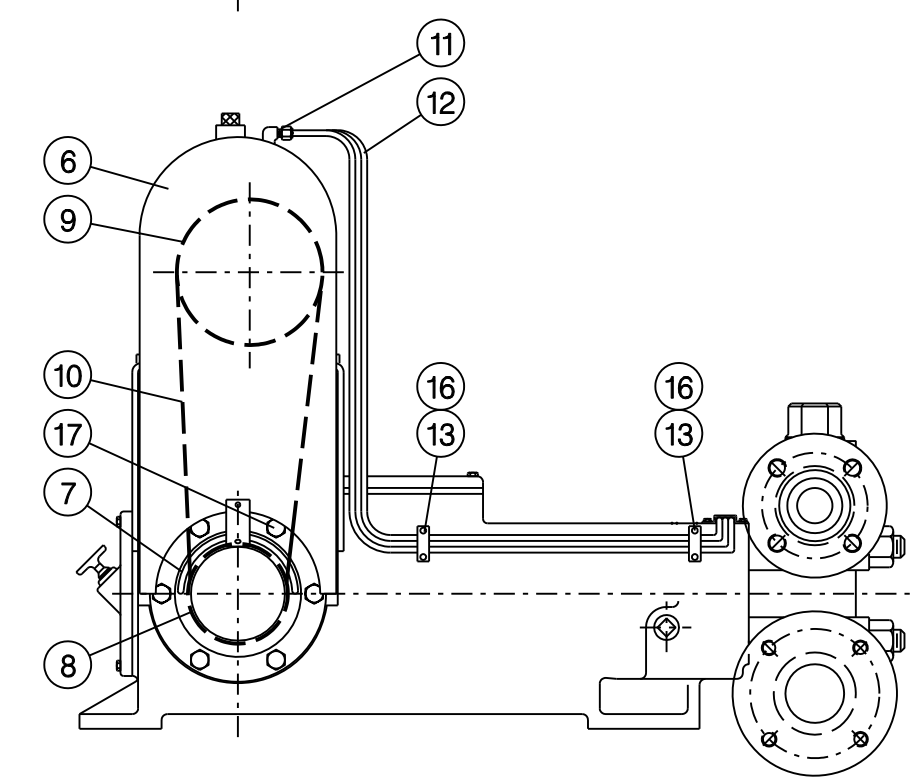
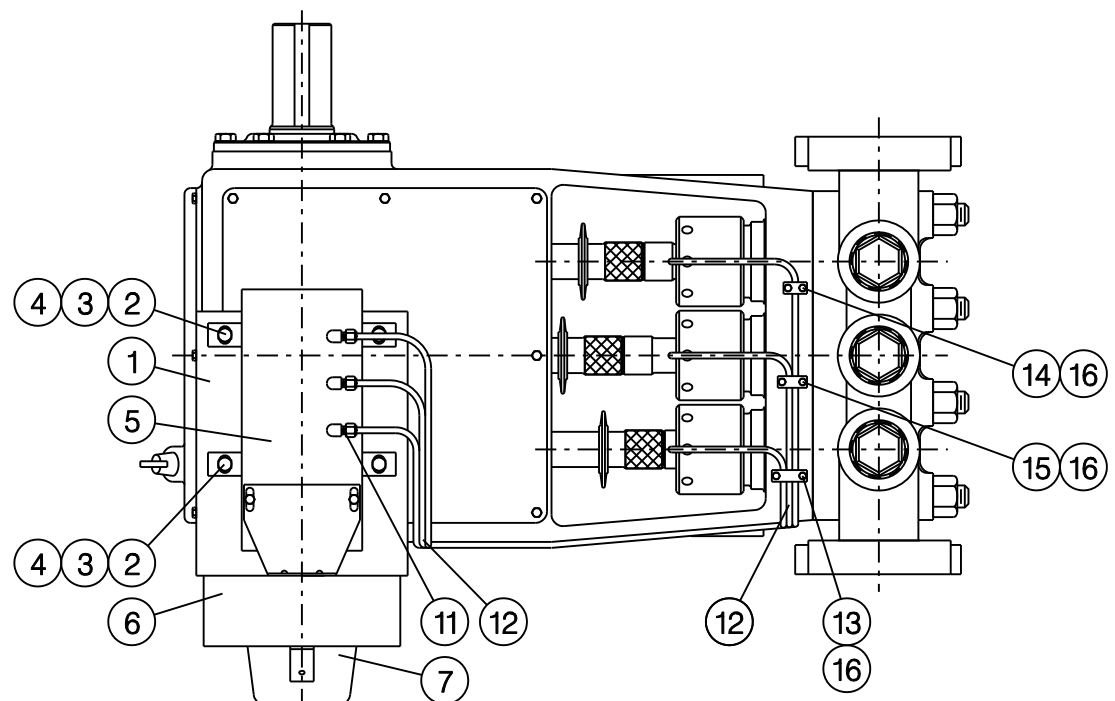
THREADED PLUNGERS		
30T - 2L		
ITEM	PART NO.	DESCRIPTION
3	1709081	2 1/4" CERAMIC PLUNGER
	1709080	2" CERAMIC PLUNGER
	1709079	1 3/4" CERAMIC PLUNGER
	1709078	1 1/2" CERAMIC PLUNGER
30T - 2H		
	1709078	1 1/2" CERAMIC PLUNGER
	-----	1 3/8" CERAMIC PLUNGER
	-----	1 1/4" CERAMIC PLUNGER
	-----	1 1/8" CERAMIC PLUNGER
	-----	1" CERAMIC PLUNGER
	-----	15/16" CERAMIC PLUNGER

* LISTED PART NO.'s WERE PREVIOUSLY HARD COAT PLUNGERS



TITLE PLUNGER/INTERMEDIATE ROD ASSY.
THREADED PLUNGER
30T-2 PLUNGER PUMP

SIZE C	REFERENCE No.	DRAWING No. 1709533	REV
SCALE 1/2	EST WT	SHEET 1 OF 1	



DRIP LUBE PIPING DETAIL

4	2405086	2405086	CAPSCREW, DRILLED HEX HEAD 1/2-13 x 1/2" LG.	17
14	7168073	7168073	CAPSCREW, *8-32 x 1/4" LG. TYPE "F"	16
1	7828124	7828124	CLIP, TUBING	15
1	7828123	7828123	CLIP, TUBING	14
3	7802200	7802200	CLIP, TUBING	13
12 FT.	64699402		TUBING, STAINLESS STEEL 1/4" O.D. x .035 WALL	
		7400420	TUBING, COPPER 1/4" O.D. x .032 WALL	12
3	64226988	7804080	ELBOW, 90° x 1/4" TUBE x 1/8" N.P.T.	11
1	4712450	4712450	BELT, "V" TYPE *2450	10
1	7200020	7200020	SHEAVE, LUBRICATOR 6.2" P.D.	9
1	1709124	1709124	SHEAVE, DRIVER 5" P.D.	8
1	1709129	1709129	COVER, CRANKSHAFT	7
1	1710125	1710125	GUARD, LUBRICATOR BELT	6
1	7811072	7811072	LUBRICATOR, 3 FEED (L.H.)	5
	7811071	7811071	LUBRICATOR, 3 FEED (R.H.)	
4	6300070	6300070	NUT, 7/16-14 HEAVY HEX	4
20	7600032	7600032	WASHER, 1/2" N TYPE "A" 1.062 O.D.	3
4	7000260-11	7000258-11	CAPSCREW, 7/16-14 x 2" LG. GR. 5 HEX HEAD	2
1	1709020	1709020	BRACKET, LUBRICATOR	1
QTY REQ'D	PART No.		DESCRIPTION / MATERIAL / SPECIFICATION	ITEM NO.
	LUBRICATOR ASSY. COMPLETE WITH STAINLESS STEEL LINES P/N 1709122RSS		LUBRICATOR ASSY. COMPLETE WITH COPPER LINES P/N 1709122	

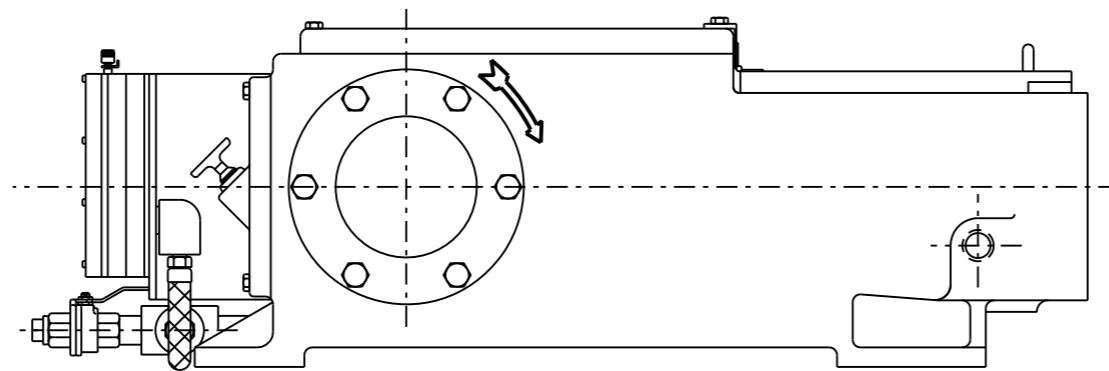
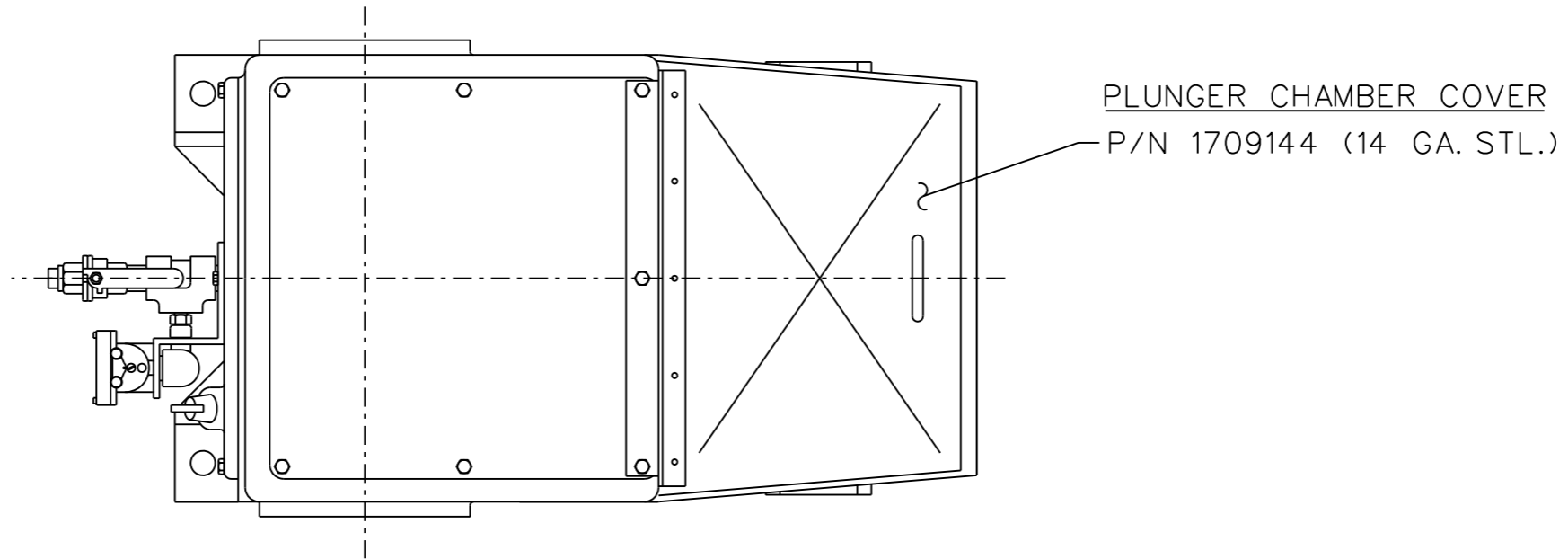
LIST OF MATERIAL

NOTE:
R.H. LUBRICATOR SHOWN
L.H. OPPOSITE

NOV NATIONAL OILWELL VARCO

TITLE LUBRICATOR ASSEMBLY PIPING
3-FEED LUBRICATOR (R.H. OR L.H.)
30T-2 TRIPLEX PLUNGER PUMP

SIZE B	REFERENCE No.	DRAWING No. 1709534	REV
SCALE 1/8	EST WT	SHEET 1 OF 1	



OIL LEVEL SWITCH ASSY.

(TYPICAL ARRANGEMENT)
MURPHY L-129 SHOWN

SWITCH MODEL, LOCATION & PIPING ARRANGEMENT
WILL VARY DEPENDING ON APPLICATION

NOV NATIONAL OILWELL VARCO			
TITLE OPTIONAL ACCESSORIES 30T-2 TRIPLEX PLUNGER PUMP			
SIZE B	REFERENCE No.	DRAWING No. 1709535	REV
SCALE NONE	EST WT	SHEET 1 OF 1	

X173706 – ROD, CONN. CPT w/NEEDLE BRG.
STRAIGHT TYPE (ALUM.)

X173707 – PIN, CROSSHEAD – NEEDLE BRG.

49011847 – ROD, CONN. CPT w/NEEDLE BRG.
SLANT TYPE (ALUM.)

49011846 – PIN, CROSSHEAD – NEEDLE BRG.

49011848 – CROSSHEAD, NEEDLE BRG.

49011803 – ROD, CONN. CPT w/NEEDLE BRG.
DUCTILE IRON

MISC. (NOT FOR HIGH SUCTION PRESSURE)

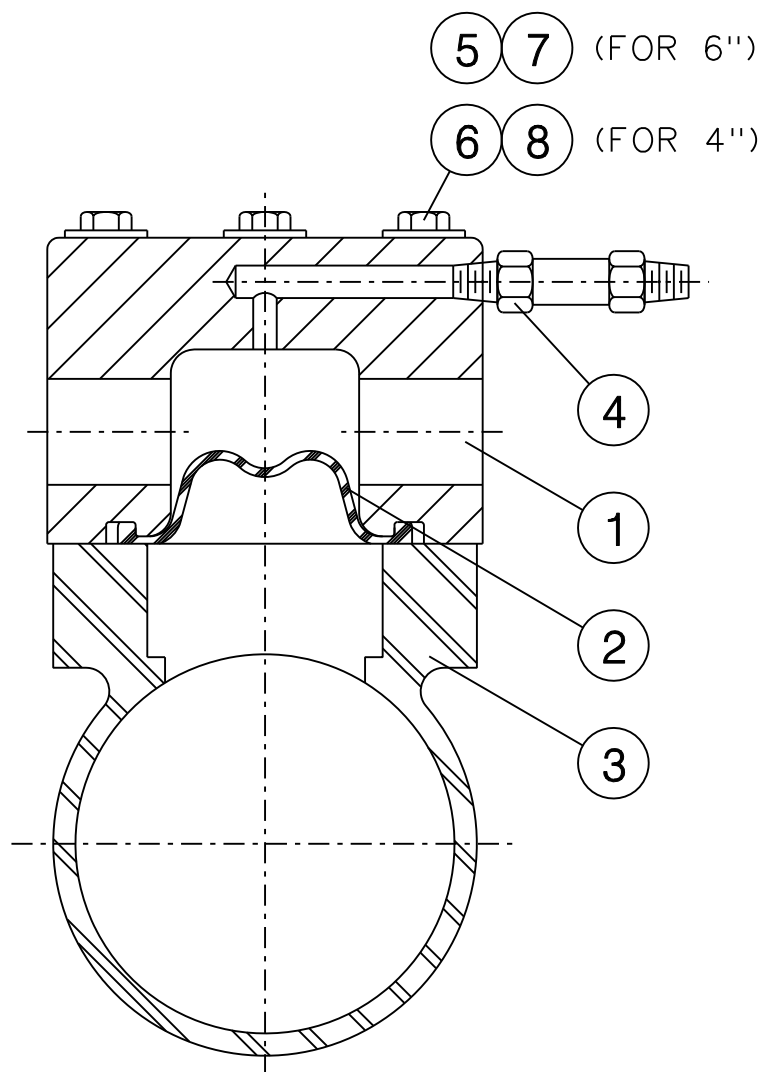
49011801 – RIFLE DRILLED CRANKSHAFT

G1709514 – SLANT CUT D.I. ROD

G1709517 – CRANK END BEARING



TITLE CONVERSION TO HIGH SUCTION PRESSURE 30T-2 TRIPLEX PUMP			
SIZE A	REFERENCE No.	DRAWING No. 1709536	REV
SCALE 1 / 1	EST WT	SHEET 1 OF 1	



14	7600020	WASHER, $\frac{5}{16}$ " (FOR 4")	14
18	7600032	WASHER, $\frac{1}{2}$ " (FOR 6")	13
14	7000157-11	CAPSCREW, $\frac{5}{16}$ -18 x 1" LG. (FOR 4")	12
18	7000304-11	CAPSCREW, $\frac{1}{2}$ -13 x $1\frac{1}{4}$ " LG. (FOR 6")	11
1	1712218	GASKET, BLANKING PLATE (FOR 6")	10
1	6000004	GASKET, BLANKING PLATE (FOR 4")	
1	1712217	PLATE, BLANKING (FOR 6")	9
1	X17-1569	PLATE, BLANKING (FOR 4")	
14	7600020	WASHER, $\frac{5}{16}$ " (FOR 4")	8
18	7600032	WASHER, $\frac{1}{2}$ " (FOR 6")	
14	7000168-11	CAPSCREW, $\frac{5}{16}$ -18 x $3\frac{3}{4}$ " LG. (FOR 4")	6
18	7000316-11	CAPSCREW, $\frac{1}{2}$ -13 x 4" LG. (FOR 6")	
1	7500021	CHECK VALVE, $\frac{1}{8}$ " (FOR 4" & 6")	4
1	1712251	6" PIPE BODY	
1	1712250	4" PIPE BODY	3
1	1712327	6" DIAPHRAGM	
1	1712262	4" DIAPHRAGM	2
1	1712328	6" DAMPENER	
1	1712243	4" DAMPENER	1
	1712253	DAMPENER COMPLETE - 6" (28" LG.)	
	1712252	DAMPENER COMPLETE - 4" (25 $\frac{1}{2}$ " LG.)	
QTY REQ'D	PART NO.	DESCRIPTION	ITEM NO.

LIST OF MATERIAL

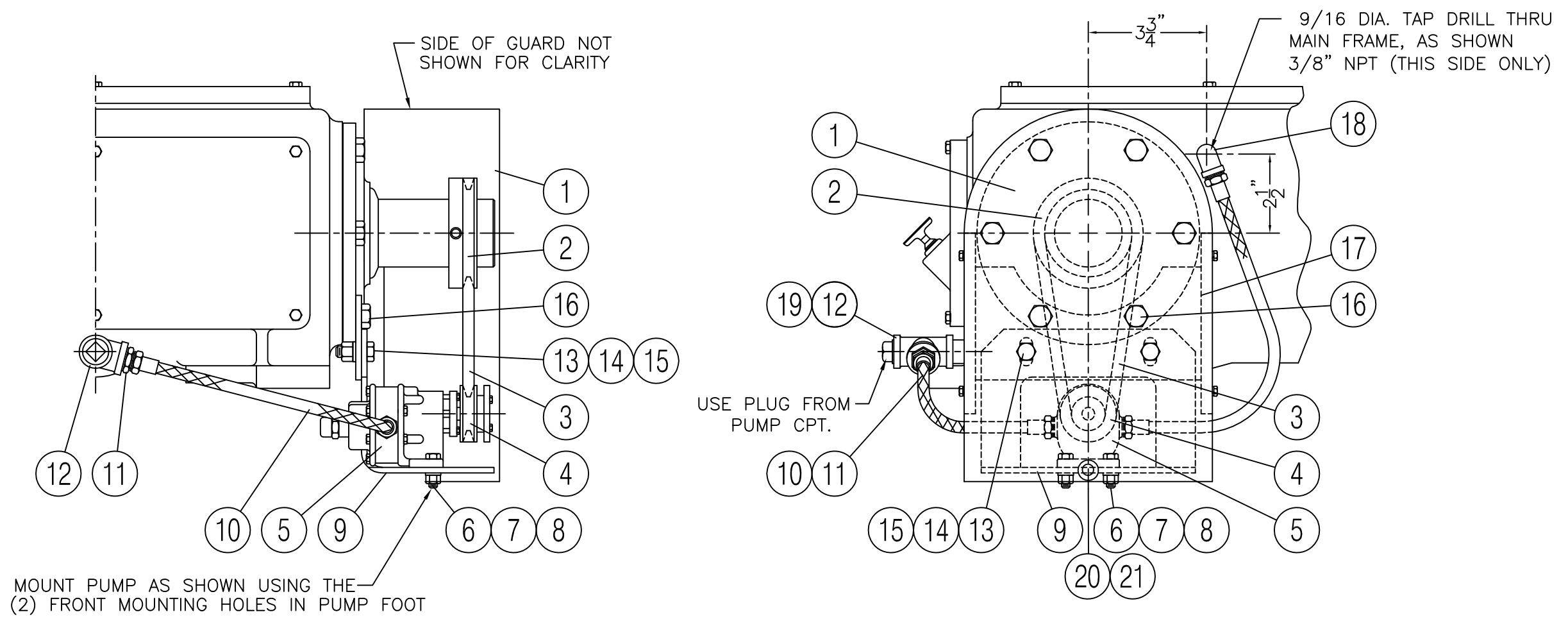
* L/M FOR BLANKING PLATE ASSEMBLY
ITEMS #9 THRU #14 ARE NOT SHOWN

NOV NATIONAL OILWELL VARCO

TITLE LOW PRESSURE PLASTIC BODY
IN-LINE SUCTION DAMPENER (WELD-ON)
PLUNGER PUMPS

SIZE B REFERENCE No. DRAWING No. 1709537 REV

SCALE 1/2 EST WT SHEET 1 OF 1



1	7818231	SCREW, TAPIT #10 X 1/2	21
1	7600012	WASHER, 1/4" SPRING	20
1	6817066	NIPPLE, 3/4" X CLOSE PIPE	19
1	6829003	ELBOW, STREET 3/8" x 90° 150#	18
1	X171942	PLATE, MOUNTING - AUX. LUBE	17
2	2405083	CAPSCREW, 5/8 -11 x 1 3/4" LG. DRILLED HEX HEAD	16
2	7602050	WASHER, 1/2" SPRING	15
2	6300081	NUT, 1/2 -13 HEX	14
2	7000304-11	CAPSCREW, 1/2 -13 x 1 1/4" LG. HEX HEAD	13
1	6890006	TEE, 3/4" 150# - SERVICE	12
1	6800061	BUSHING, PIPE - 3/4" (M) x 3/8" (F)	11
2	6110007	HOSE ASSEMBLY, 3/8" x 19" LG.	10
1	1709285	BRACKET, LUBE PUMP	9
2	7619041	WASHER, 3/8" SPRING	8
2	6300062	NUT, 3/8 -16 HEX	7
2	7000209-11	CAPSCREW, 3/8 -16 x 1 1/4" LG. HEX HEAD	6
1	7815070	PUMP, B&S #1 WORV MODEL 713-1-1	5
1	7200004	SHEAVE, PUMP (3.5" O.D.-1A)	4
1	4701026	BELT, A-26	3
1	1709124	SHEAVE, DRIVER (4.0" P.D.)	2
1	1709284	GUARD, LUBE PUMP	1
QTY REQ'D	PART NO.	DESCRIPTION	ITEM NO.

* 1709284

LIST OF MATERIAL

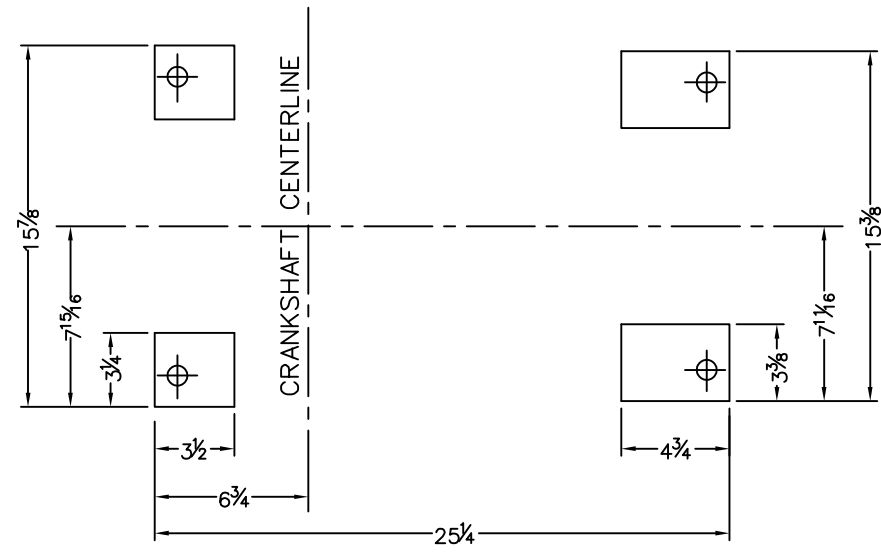
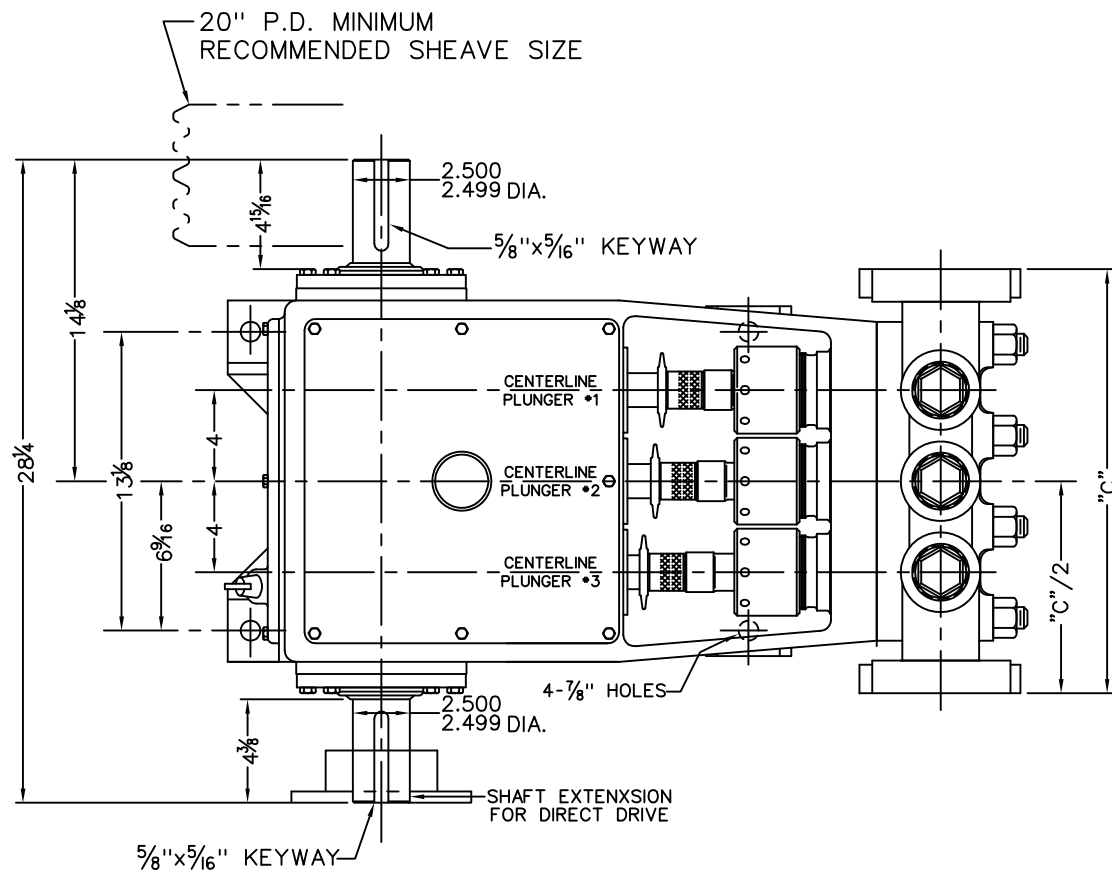
* USE LUBE PUMP GUARD, C/N 1709286 WHEN LUBRICATOR IS ADDED

NOV NATIONAL OILWELL VARCO
 HOUSTON, TEXAS U.S.A. ENGINEERING, McALESTER, OKLAHOMA

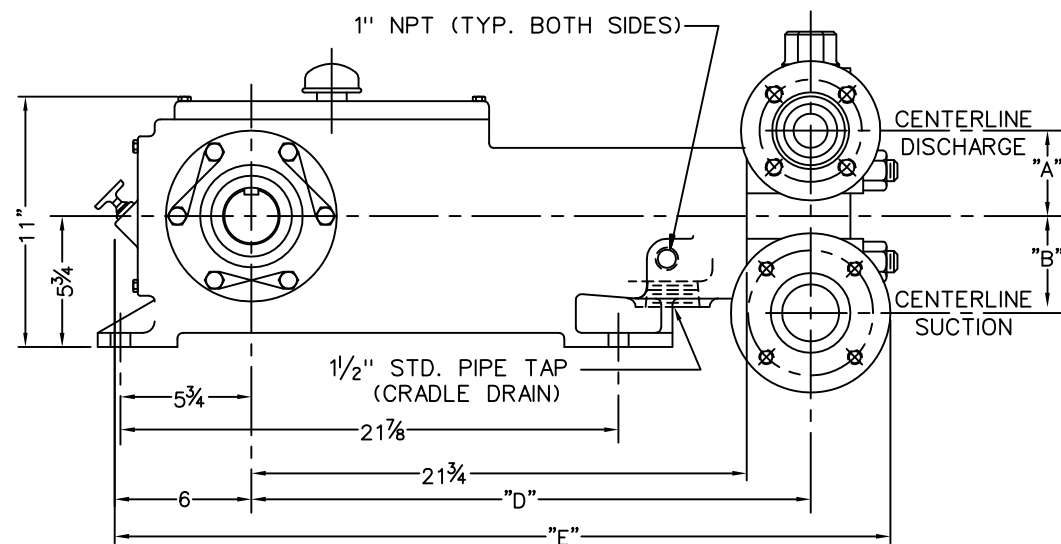
TITLE: AUX. LUBE SYSTEM - SLOW SPEED 30T-2 TRIPLEX PLUNGER PUMP

SIZE: B REFERENCE No. DRAWING No. 1709538 REV

SCALE: 3/16 EST WT SHEET 1 OF 1

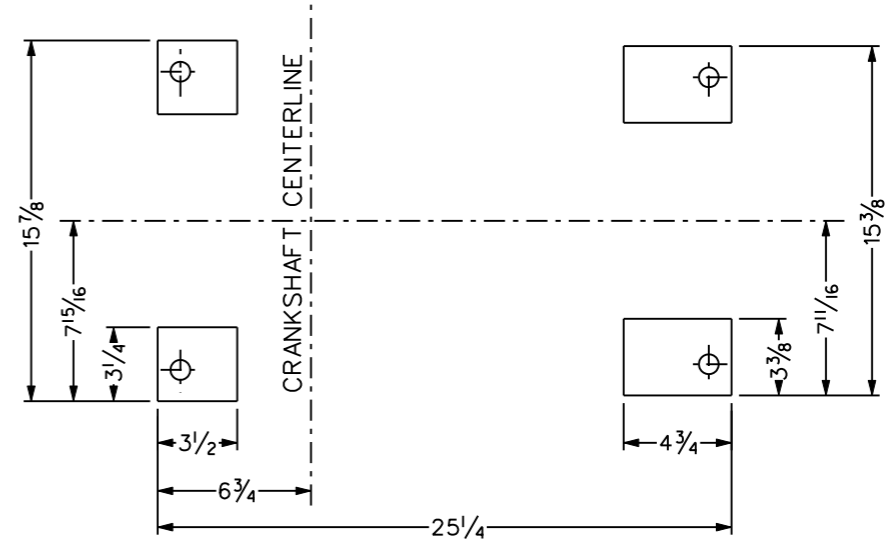
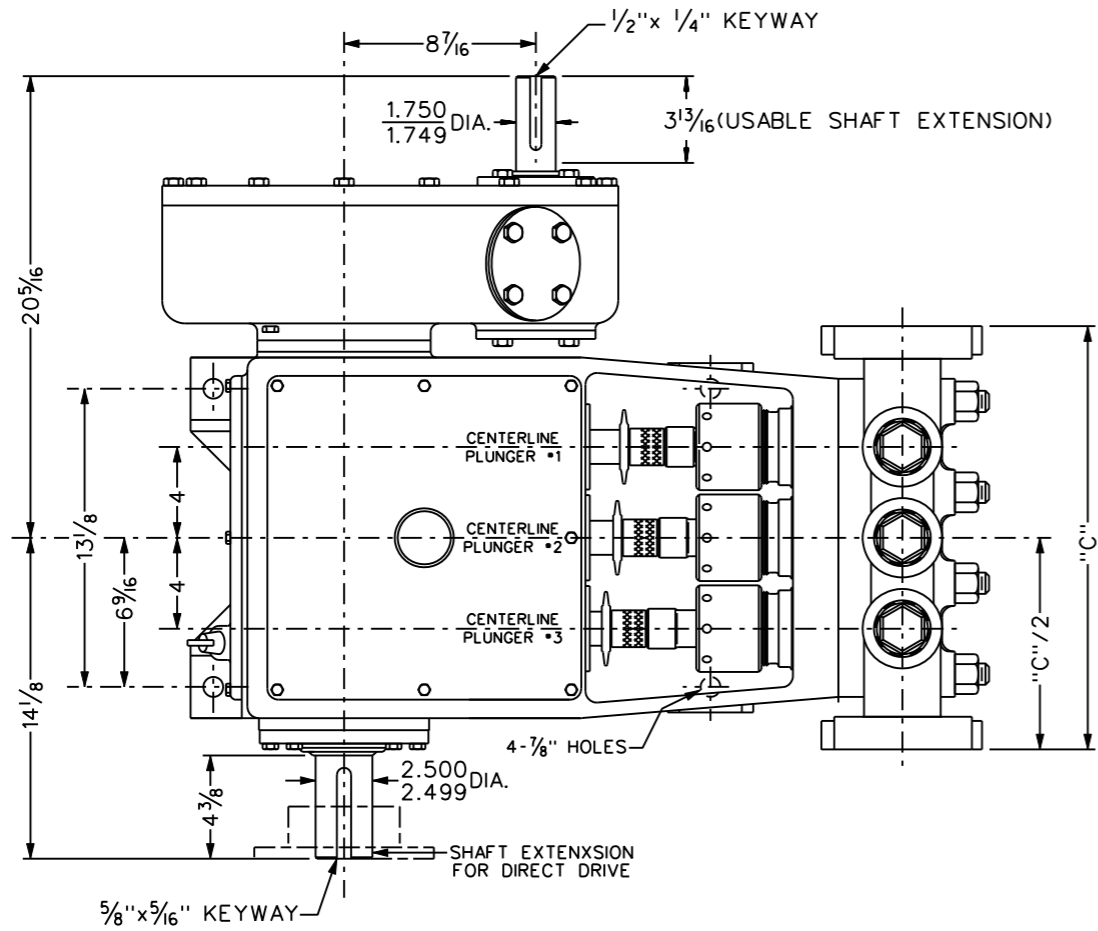


PUMP FOOTPRINT

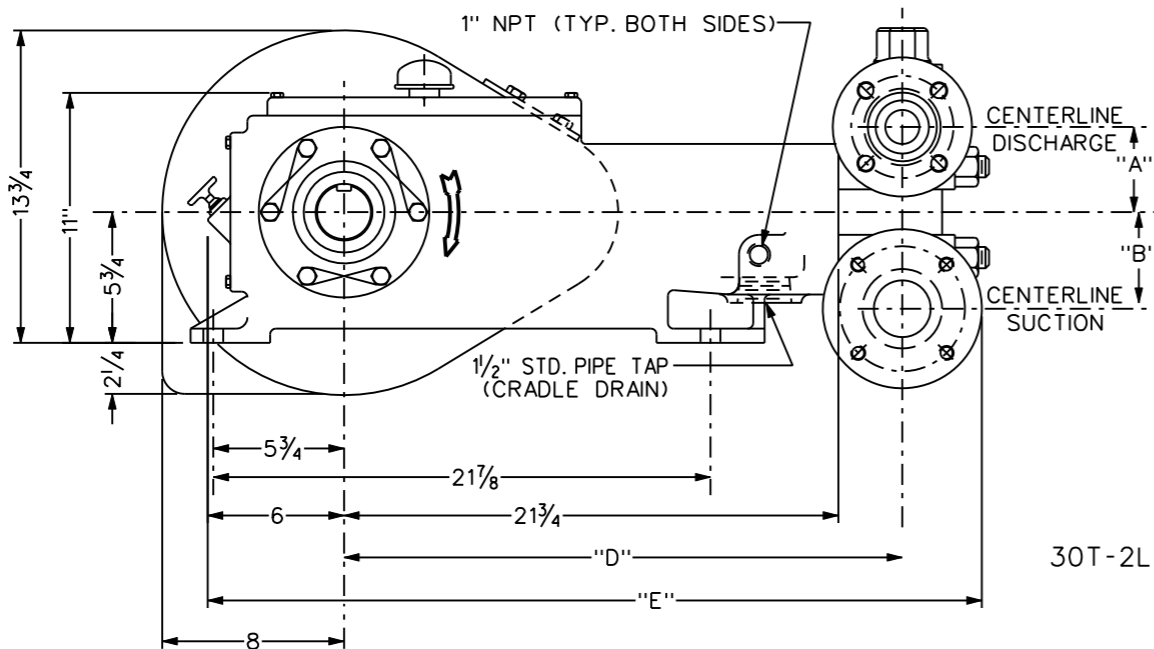


PUMP TYPE	DISCHARGE CONNECTIONS	SUCTION CONNECTIONS	"A"	"B"	"C"	"D"	"E"
30T-2L THREADED	1/2" N.P.T.	2 1/2" N.P.T.	3 3/4	4 1/4	15 3/4	24 9/16	32 7/8
30T-2L FLANGED	1 1/2" API-2,000* R.J.	2 1/2" ANSI 150* F.F.	3 3/4	4 1/4	18 1/4	24 9/16	34 1/16
30T-2H	1" ANSI 2,500* R.J.	2" ANSI 300* F.F.	3 5/8	4	17 1/2	24 5/16	33 9/16

30T-2L (FLANGED) MODEL SHOWN



PUMP FOOTPRINT



30T-2L (FLANGED) MODEL SHOWN

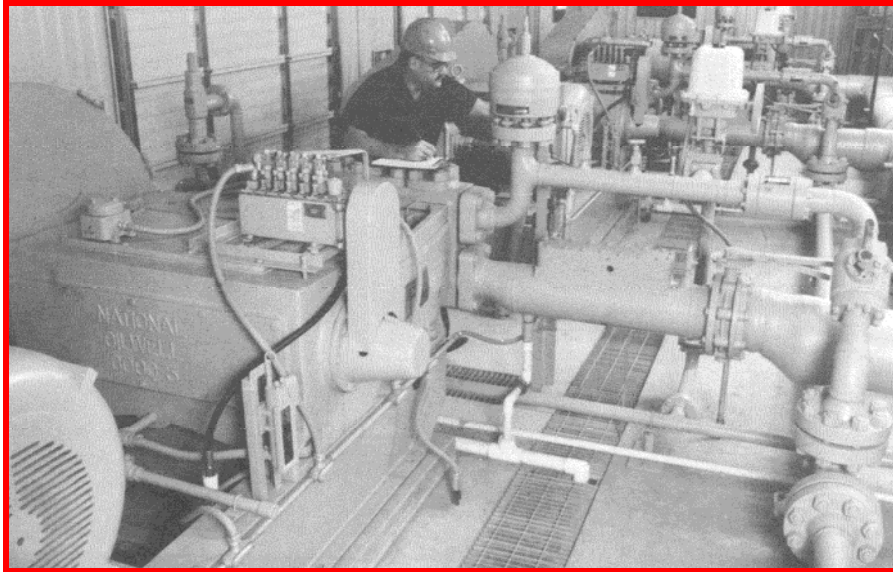
PUMP TYPE	DISCHARGE CONNECTIONS	SUCTION CONNECTIONS	"A"	"B"	"C"	"D"	"E"
30T-2L THREADED	1/2" N.P.T.	2 1/2" N.P.T.	3 3/4	4 1/4	15 3/4	24 9/16	32 7/8
30T-2L FLANGED	1/2" API-2,000* R.J.	2 1/2" ANSI 150* F.F.	3 3/4	4 1/4	18 1/4	24 9/16	34 1/16
30T-2H	1" ANSI 2,500* R.J.	2" ANSI 300* F.F.	3 5/8	4	17 1/2	24 5/16	33 9/16

NATIONAL OILWELL VARCO

TITLE: OUTLINE DRAWING
30T-2 TRIPLEX PUMP
WITH GEAR REDUCER

SIZE: C	REFERENCE No.	DRAWING No. 1709540	REV
SCALE: 3/16	EST WT	SHEET 1 OF 1	

NATIONAL OILWELL VARCO



With over 120 locations worldwide, National Oilwell Varco is located near you. To find the nearest Distribution Service Center, machinery center or repair facility, please give us a call at our main office listed below.

Or you can access our website at the URL listed below, where you may search by location or country.

<http://www.nov.com/contactus/>

Sales/Technical Information:
USA Tollfree: 1 (800) 324-4706

Internet: <http://www.nov.com>

National Oilwell Varco is a leading manufacturer of reciprocating plunger pumps, Mission Fluid King centrifugal pumps, and fluid end replacement parts. We also offer a complete set of solutions to your fluid transfer challenges. For more Information, contact National Oilwell Varco directly at the Headquarters in Houston, Texas. All National Oilwell Varco products are available throughout the U.S. and around the world from service centers, authorized distributors, and representatives.

© Copyright 1999 by National Oilwell, L.P. All Rights Reserved. NATIONAL OILWELL, NATIONAL, and OILWELL are registered trademarks of NATIONAL OILWELL, L.P. Houston, Texas, USA. All other trademarks used are registered to their respective companies. The information and data in this brochure, including but not limited to pictures, photographs, charts, diagrams, drawings, lists, written comments, and specifications, are accurate to the best of our knowledge and belief, but are intended for general information only. Applications suggested for the materials and other information are described only to help readers make their own evaluations and decisions, and are neither guarantees nor are they to be construed as express or implied warranties of suitability for these or other applications. National Oilwell makes no warranty, either express or implied, beyond that stipulated in National Oilwell's Standard Terms and Conditions of Sale which are available upon request.