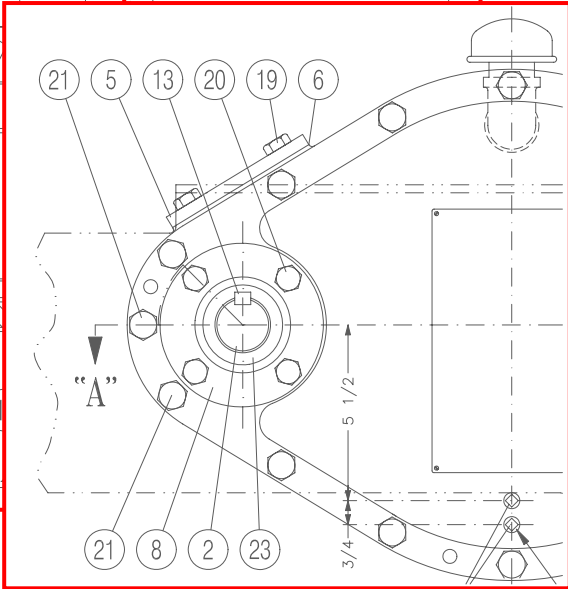
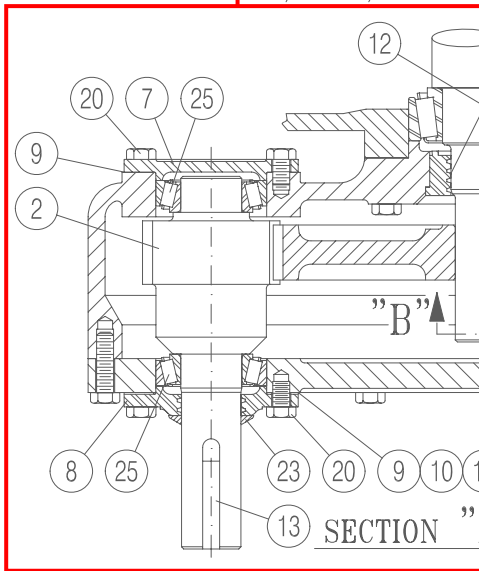
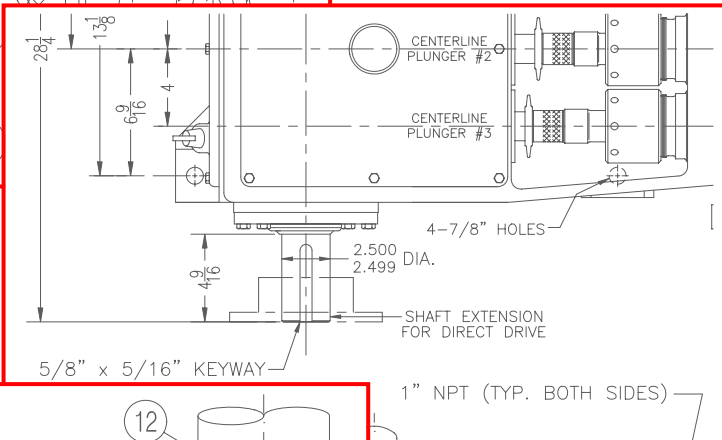
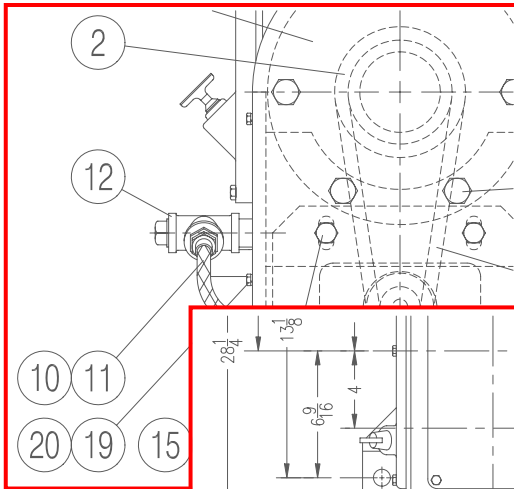
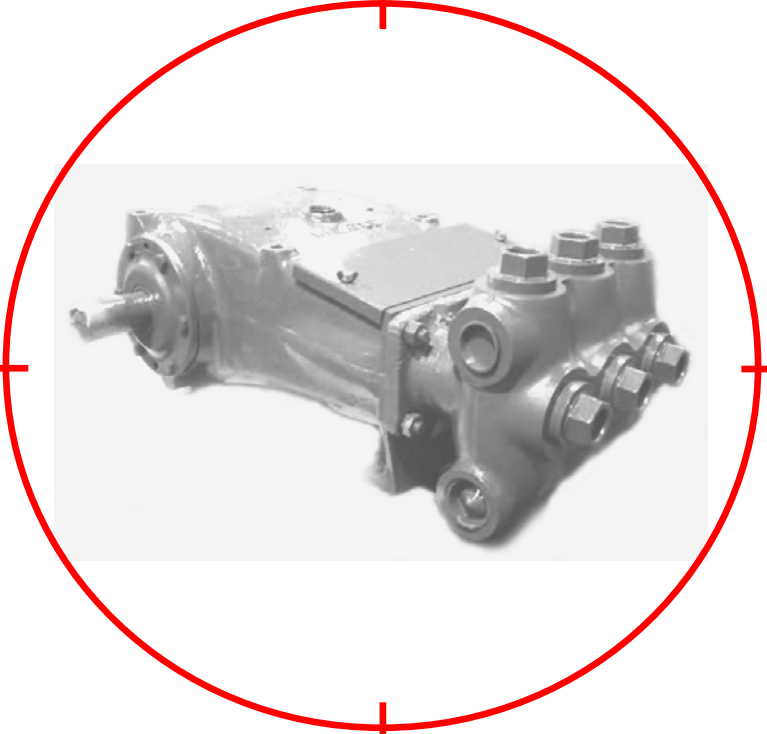
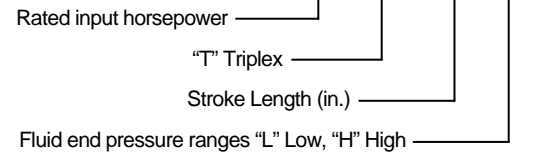


59T-3 Multiplex Plunger Pumps Parts List



- Types:**
59T-3L
59T-3M
59T-3MC
59T-3MSC
59T-3H
59T-3MS

Sales / Technical Information
USA Tollfree: 1 (800) 324-4706
Phone: 1 (918) 447-4600
Fax: 1 (918) 447-4677
Internet: <http://www.nov.com>



59T-3

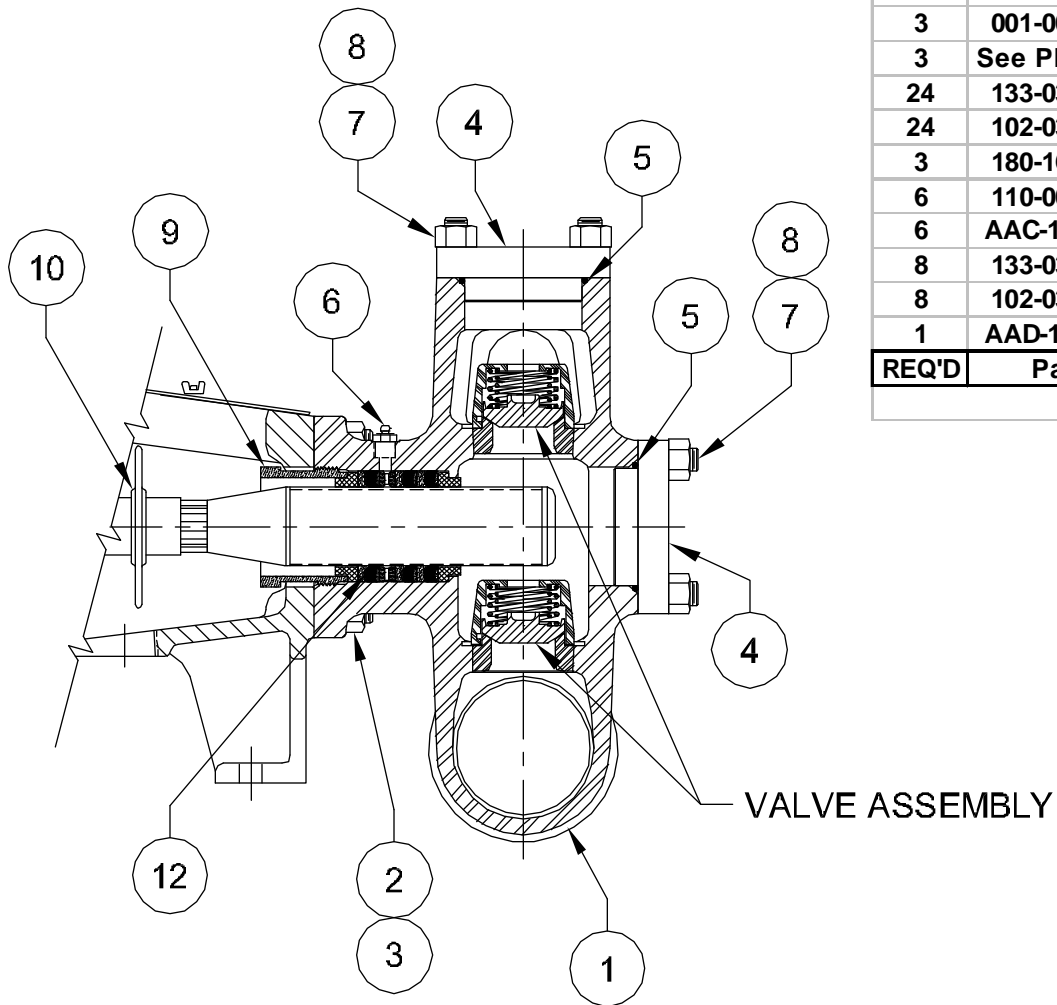
Index and Check List:

PAGE	DWG. NUMBER	DESCRIPTION	SERIES OF ISSUE	DATE OF ISSUE
1	117718	ASSY, CAST FLUID END, BRONZE (L)	FIRST	08-10-05
2	117728	ASSY, CAST FLUID END, STAINLESS STEEL (L)	FIRST	08-10-05
3	117730	ASSY, CAST FLUID END, DUCTILE IRON (L)	FIRST	08-10-05
4	117729	ASSY, STEEL BILLET FLUID END (L)	FIRST	08-10-05
5	117731	ASSY, CAST FLUID END, BRONZE (M) THRD. CONN.	FIRST	08-10-05
7	117805	ASSY, CAST FLUID END, DUCTILE IRON (M) THRD. CONN.	FIRST	08-10-05
9	117949	ASSY, CAST FLUID END, STAINLESS STEEL (M) THRD. CONN.	FIRST	08-10-05
11	117950	ASSY, CAST FLUID END, STEEL (M) THRD. CONN.	FIRST	08-10-05
13	117948	ASSY, CAST FLUID END, BRONZE (M) FLANGED	FIRST	08-10-05
15	117827	ASSY, CAST FLUID END, STAINLESS STEEL (M) FLANGED	FIRST	08-10-05
17	117804	ASSY, BILLET FLUID END, STEEL (MC/MSC) FLANGED	FIRST	08-10-05
20	117951	ASSY, FORGED FLUID END, STAINLESS STEEL (H)	FIRST	08-10-05
21	117802	ASSEMBLY, POWER END	FIRST	08-10-05
22	117801	ASSEMBLY, CRANKSHAFT POWER END	FIRST	08-10-05
23	118040	ASSEMBLY, GEAR REDUCER UNIT	FIRST	08-10-05
24	117806	ASSEMBLY, DISC VALVE (L)	FIRST	08-10-05
25	117807	ASSEMBLY, SPHERICAL VALVE (L)	FIRST	08-10-05
26	118207	ASSEMBLY, SPHERICAL VALVE, SEVERE DUTY (L)	FIRST	08-10-05
27	117808	ASSEMBLY, SEVERE DUTY VALVE (L)	FIRST	08-10-05
28	118031	ASSEMBLY, DISC VALVE (M)	FIRST	08-10-05
29	117960	ASSEMBLY, SPHERICAL VALVE (M)	FIRST	08-10-05
30	118208	ASSEMBLY, SPHERICAL VALVE, SEVERE DUTY (M)	FIRST	08-10-05
31	118030	ASSEMBLY, SEVERE DUTY VALVE (M)	FIRST	08-10-05
32	118034	ASSEMBLY, DISC VALVE (MSC)	FIRST	08-10-05
33	118032	ASSEMBLY, SPHERICAL VALVE, (MSC)	FIRST	08-10-05
34	118209	ASSEMBLY, SPHERICAL VALVE, SEVERE DUTY (MSC)	FIRST	08-10-05

Index and Check List Multiplex Plunger Pump (Continued)



PAGE	DWG. NUMBER	DESCRIPTION	SERIES OF ISSUE	DATE OF ISSUE
35	118033	ASSEMBLY, SEVERE DUTY VALVE (MSC)	FIRST	08-10-05
36	118035	ASSEMBLY, SEVERE DUTY, SUCTION VALVE (H)	FIRST	08-10-05
37	118036	ASSEMBLY, SEVERE DUTY, DISCHARGE VALVE (H)	FIRST	08-10-05
38	117819	TOOL KIT, (L) CLASS FLUID END	FIRST	08-10-05
39	117820	TOOL KIT, (M & MS) CLASS FLUID END	FIRST	08-10-05
40	118029	TOOL KIT, (MSC) CLASS FLUID END	FIRST	08-10-05
41	117821	TOOL KIT, (H) CLASS FLUID END	FIRST	08-10-05
42	117810	ASSY, PLUNGER KIT 2-1/4" - 3" J-STYLE PACKING	FIRST	08-10-05
48	117809	ASSY, PLUNGER KIT 2-1/4" - 3" BRAID STYLE PACKING	FIRST	08-10-05
55	117811	ASSY, PLUNGER KIT 2-1/4" - 3" SSF-4 STYLE PACKING	FIRST	08-10-05
62	117957	ASSY, PLUNGER KIT 1-1/2" - 2-1/2" J-STYLE PACKING	FIRST	08-10-05
71	117958	ASSY, PLUNGER KIT 1-1/2" - 2-1/2" BRAID STYLE PACKING	FIRST	08-10-05
80	117959	ASSY, PLUNGER KIT 1-1/2" - 2-1/2" SSF-4 STYLE PACKING	FIRST	08-10-05
89	118038	ASSY, PLUNGER KIT 1-1/8" - 1-3/8" J-STYLE PACKING	FIRST	08-10-05
92	118037	ASSY, PLUNGER KIT 1-1/8" - 1-3/8" SSF-4 STYLE PACKING	FIRST	08-10-05
95	118257	ASSY, PLUNGER KIT 1-1/2" - 2-1/2" J-STYLE PACKING, "MC" STYLE FLUID END	FIRST	08-10-05
104	118258	ASSY, PLUNGER KIT 1-1/2" - 2-1/2" BRAID STYLE PACKING, "MC" STYLE FLUID END	FIRST	08-10-05
113	118259	ASSY, PLUNGER KIT 1-1/2" - 2-1/2" SSF-4 STYLE PACKING, "MC" STYLE FLUID END	FIRST	08-10-05
122	118039	ASSY, PLUNGER KIT 3/4" - 1" SF-4 STYLE PACKING	FIRST	08-10-05
125	117812	PLUNGERS, 2-1/4" THRU 3" CERAMIC	FIRST	08-10-05
126	117823	PLUNGERS, 2-1/4" THRU 3" HARD SURFACE	FIRST	08-10-05
127	117822	PLUNGERS 1-3/4" THUR 2-1/2" CERAMIC	FIRST	08-10-05
128	117813	PLUNGERS, 1-3/4" THRU 2-1/2" HARD SURFACE	FIRST	08-10-05
129	117824	PLUNGERS, 1-1/8" THRU 1-5/8" CERAMIC	FIRST	08-10-05
130	117825	PLUNGERS, 1-1/8" THRU 1-5/8" HARD SURFACE	FIRST	08-10-05
131	117826	PLUNGERS, 3/4" THRU 1" HARD SURFACE	FIRST	08-10-05
132	117814	ASSEMBLY, PACKING LUBRICATOR	FIRST	08-10-05
133	117815	ASSEMBLY, D.O.H. LUBRICATOR	FIRST	08-10-05
134	117816	GENERAL DIMENSION, RHD, (L) FLUID END	FIRST	08-10-05
135	117817	GENERAL DIMENSION, RHD, (M) FLUID END	FIRST	08-10-05
136	117952	GENERAL DIMENSION, RHD, (MSC) FLUID END	FIRST	08-10-05
137	117818	GENERAL DIMENSION, RHD, (H) FLUID END	FIRST	08-10-05

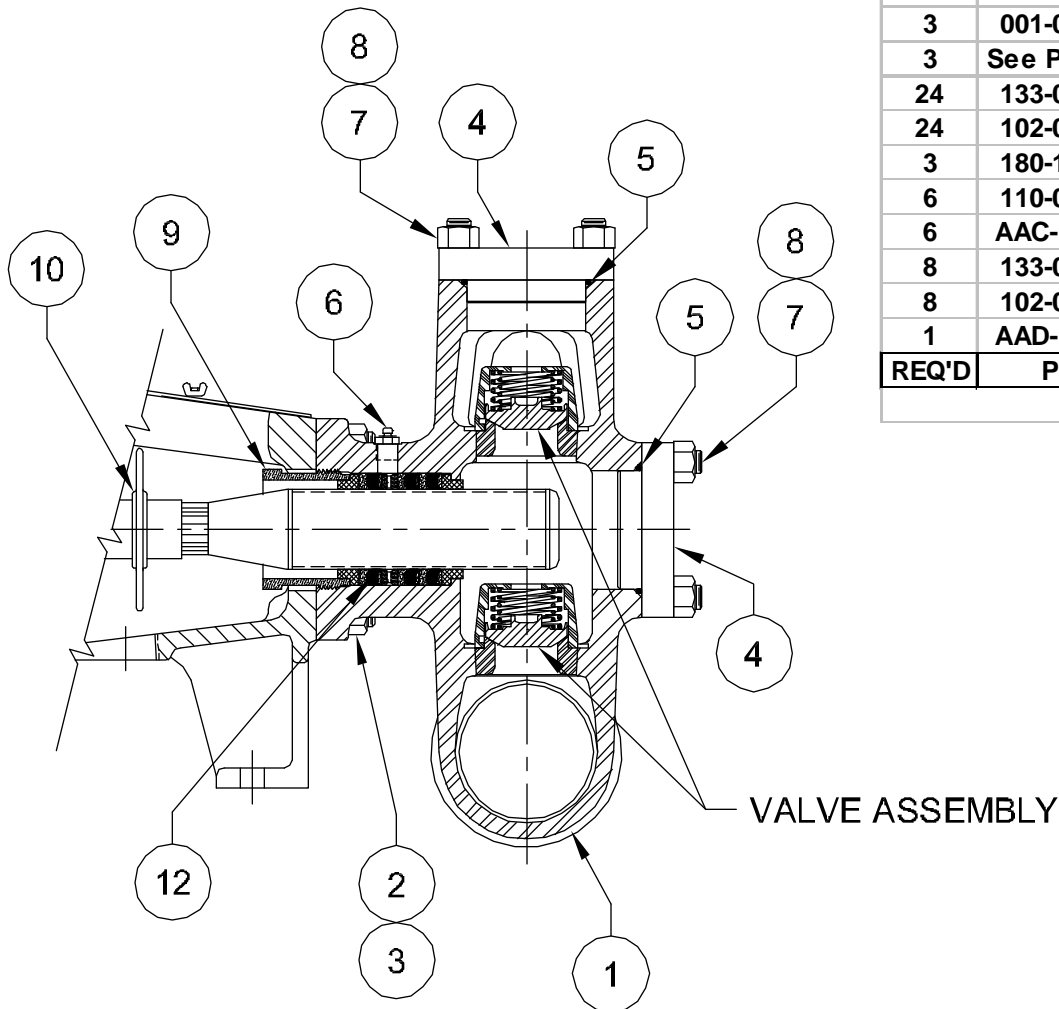


	117808	SEVERE DUTY VALVE	
	118207	SPHERICAL VALVE-SEVERE DUTY	
	117807	SPHERICAL VALVE	
	117806	DISC VALVE	
	DRAWING No:	VALVE ASSEMBLY:	
3	See Plunger Kits	PACKING	12
2	438-008138-405	DOWEL PIN FE/PE ALIGNMENT <*>	11
3	001-007986-201	BAFFLE DISC	10
3	See Plunger Kits	GLAND NUT 2-1/4" THRU 3"	9
24	133-034010-286	NUT (VALVE COVER / CYLINDER HEAD)	8
24	102-034300-286	STUD (VALVE COVER / CYLINDER HEAD	7
3	180-165000-220	LUBE FITTING	6
6	110-000342-200	SEAL (VALVE COVER / CYLINDER HEAD	5
6	AAC-115855-316	CYLINDER HEAD / VALVE COVER	4
8	133-034010-286	NUT	3
8	102-034234-286	STUD	2
1	AAD-116470-316	FLUID END, CAST BRONZE	1
REQ'D	Part No.	DESCRIPTION	ITEM
BILL OF MATERIAL			

<*> NOT SHOWN

NOV NATIONAL OILWELL VARCO			
HOUSTON, TEXAS, U.S.A.		ENGINEERING, TULSA, OKLAHOMA	
TITLE:			
ASSEMBLY, CAST FLUID END BRONZE, 2-1/4" THRU 3" PLUNGER 59T-3L (T365AL)			
DWG No.:	SCALE:	REV	SHT.:
117718	NONE	A	1 OF 1

1



	117808	SEVERE DUTY VALVE	
	118207	SPHERICAL VALVE-SEVERE DUTY	
	117807	SPHERICAL VALVE	
	117806	DISC VALVE	
	DRAWING No:	VALVE ASSEMBLY:	
3	See Plunger Kits	PACKING	12
2	438-008138-405	DOWEL PIN FE/PE ALIGNMENT <*>	11
3	001-007986-201	BAFFLE DISC	10
3	See Plunger Kits	GLAND NUT 2-1/4" THRU 3"	9
24	133-034010-287	NUT (VALVE COVER / CYLINDER HEAD)	8
24	102-034300-287	STUD (VALVE COVER / CYLINDER HEAD	7
3	180-165000-220	LUBE FITTING	6
6	110-000342-200	SEAL (VALVE COVER / CYLINDER HEAD	5
6	AAC-115855-594	CYLINDER HEAD / VALVE COVER	4
8	133-034010-287	NUT	3
8	102-034234-287	STUD	2
1	AAD-116470-594	FLUID END, STAINLESS STEEL	1
REQ'D	Part No.	DESCRIPTION	ITEM
BILL OF MATERIAL			

<*> NOT SHOWN

NOV NATIONAL OILWELL VARCO

HOUSTON, TEXAS, U.S.A.

ENGINEERING, TULSA, OKLAHOMA

TITLE:

ASSEMBLY, CAST FLUID END
STAINLESS STEEL, 2-1/4" THRU 3" PLUNGER
59T-3L (T365AL)

DWG No.:

117728

SCALE:

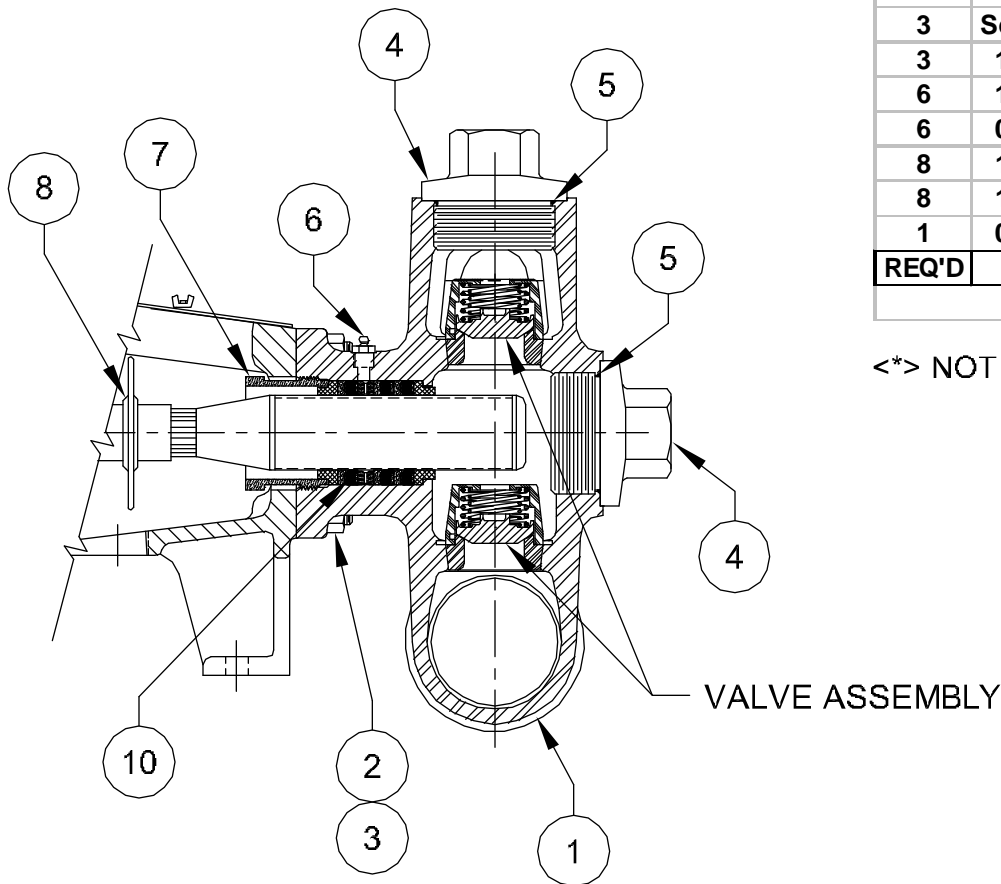
NONE

REV

A

SH1.:

1 OF 1



	117808	SEVERE DUTY VALVE	
	118207	SPHERICAL VALVE-SEVERE DUTY	
	117807	SPHERICAL VALVE	
	117806	DISC VALVE	
	<u>DRAWING No:</u>	<u>VALVE ASSEMBLY:</u>	
3	See Plunger Kits	PACKING	10
2	438-008138-405	DOWEL PIN FE/PE ALIGNMENT <*>	9
3	001-007986-201	BAFFLE DISC	8
3	See Plunger Kits	GLAND NUT 2-1/4" THRU 3"	7
3	180-165000-220	LUBE FITTING	6
6	110-000243-201	SEAL (VALVE COVER / CYLINDER HEAD	5
6	002-029497-351	CYLINDER HEAD / VALVE COVER	4
8	133-034010-286	NUT	3
8	102-034234-286	STUD	2
1	008-013247-351	FLUID END, DUCTILE IRON	1
REQ'D	Part No.	DESCRIPTION	ITEM
BILL OF MATERIAL			

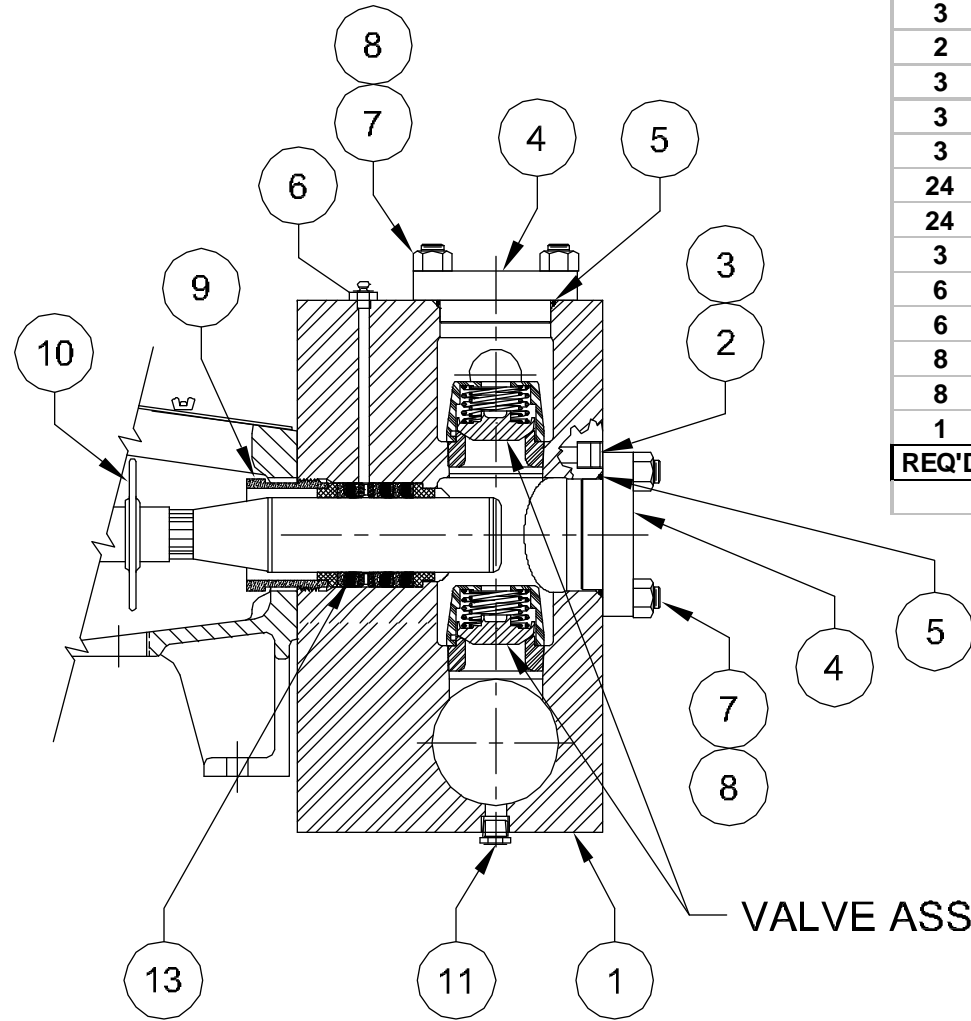
<*> NOT SHOWN

3

NOV NATIONAL OILWELL VARCO
 HOUSTON, TEXAS, U.S.A. ENGINEERING, TULSA, OKLAHOMA

TITLE:
 ASSEMBLY, CAST FLUID END
 DUCTILE IRON, 2-1/4" THRU 3" PLUNGER
 59T-3L (T365AL)

DWG No.: 117730	SCALE: NONE	REV A	SHT.: 1 OF 1
-----------------	-------------	-------	--------------



VALVE ASSEMBLY

	117808	SEVERE DUTY VALVE	
	118207	SPHERICAL VALVE-SEVERE DUTY	
	117807	SPHERICAL VALVE	
	1177806	DISC VALVE	
	DRAWING No:	VALVE ASSEMBLY:	
3	See Plunger Kits	PACKING	13
2	438-008138-405	DOWEL PIN FE/PE ALIGNMENT <*>	12
3	170-012002-278	PIPE PLUG	11
3	001-007986-201	BAFFLE DISC	10
3	See Plunger Kits	GLAND NUT 2-1/4" THRU 3"	9
24	133-034010-286	NUT (VALVE COVER / CYLINDER HEAD)	8
24	102-034300-286	STUD (VALVE COVER / CYLINDER HEAD	7
3	180-165000-220	LUBE FITTING	6
6	110-000342-200	SEAL (VALVE COVER / CYLINDER HEAD	5
6	AAC-115855-231	CYLINDER HEAD / VALVE COVER	4
8	471-012013-999	NUT	3
8	ABA-012801-286	STUD	2
1	AAC-116133-C06	FLUID END, STEEL	1
REQ'D	Part No.	DESCRIPTION	ITEM

BILL OF MATERIAL

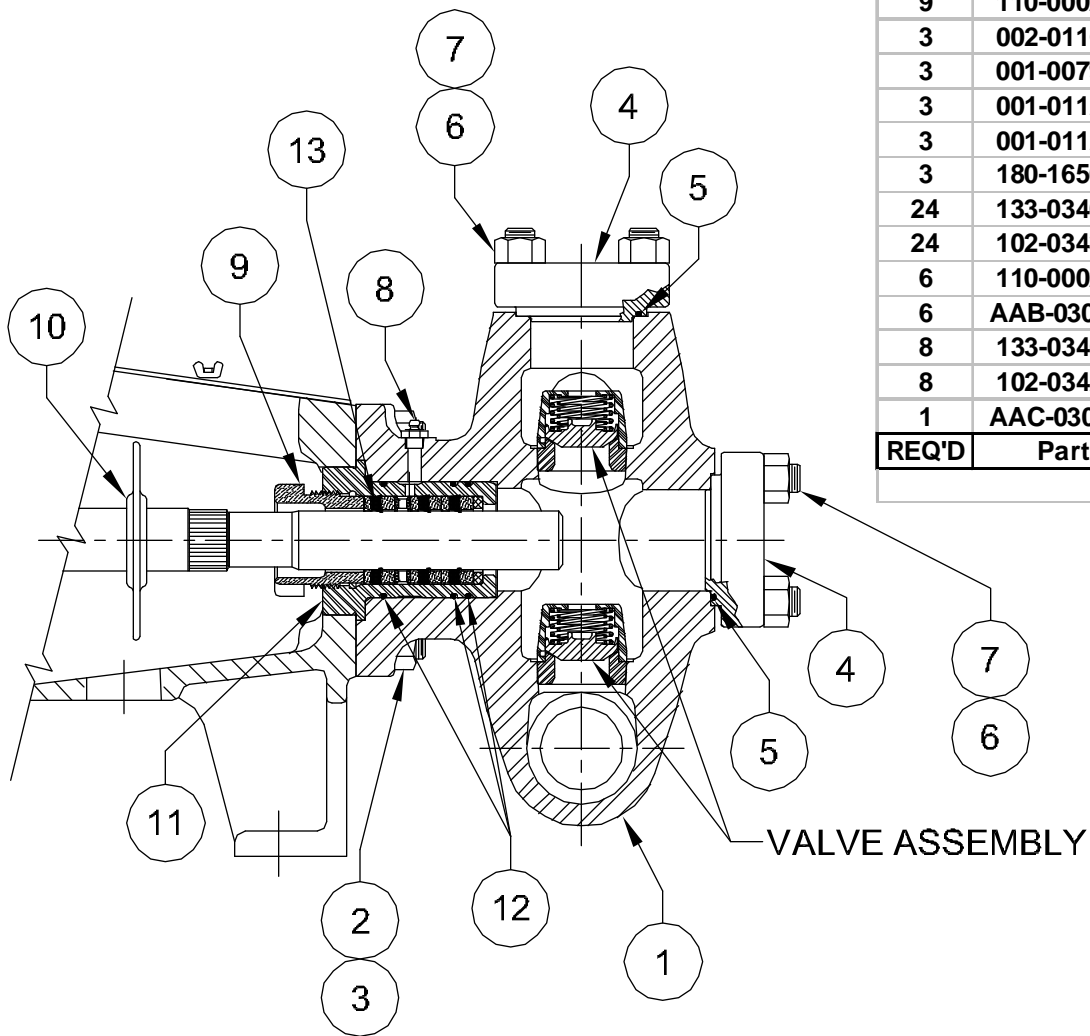
<*> NOT SHOWN

4

NOV NATIONAL OILWELL VARCO
 HOUSTON, TEXAS, U.S.A. ENGINEERING, TULSA, OKLAHOMA

TITLE:
**ASSEMBLY, BILLET FLUID END
 STEEL, 2-1/4" THRU 3" PLUNGER
 59T-3L (T365AL)**

DWG No.: 117729 SCALE: NONE REV A SHT.: 1 OF 1



	118030	SEVERE DUTY VALVE	
	118208	SPHERICAL VALVE-SEVERE DUTY	
	117960	SPHERICAL VALVE	
	118031	DISC VALVE	
	DRAWING No:	VALVE ASSEMBLY:	
3	See Plunger Kits	PACKING	13
9	110-000232-201	SEAL (STUFFING BOX)	12
3	002-011673-316	STUFING BOX	11
3	001-007986-201	BAFFLE DISC	10
3	001-011231-304	GLAND NUT 1-5/8"	
3	001-011230-304	GLAND NUT 1-1/2"	9
3	180-165000-220	LUBE FITTING	8
24	133-034010-286	NUT (VALVE COVER / CYLINDER HEAD)	7
24	102-034314-286	STUD (VALVE COVER / CYLINDER HEAD	6
6	110-000232-201	SEAL (VALVE COVER / CYLINDER HEAD	5
6	AAB-030700-261	CYLINDER HEAD / VALVE COVER	4
8	133-034010-286	NUT	3
8	102-034234-286	STUD	2
1	AAC-030728-316	FLUID END, CAST BRONZE	1
REQ'D	Part No.	DESCRIPTION	ITEM

BILL OF MATERIAL



HOUSTON, TEXAS, U.S.A.

ENGINEERING, TULSA, OKLAHOMA

TITLE:

ASSEMBLY, CAST FLUID END
BRONZE, 1-1/2" & 1-5/8" PLUNGER
59T-3M (T365AM)

DWG No.:

117731

SCALE:

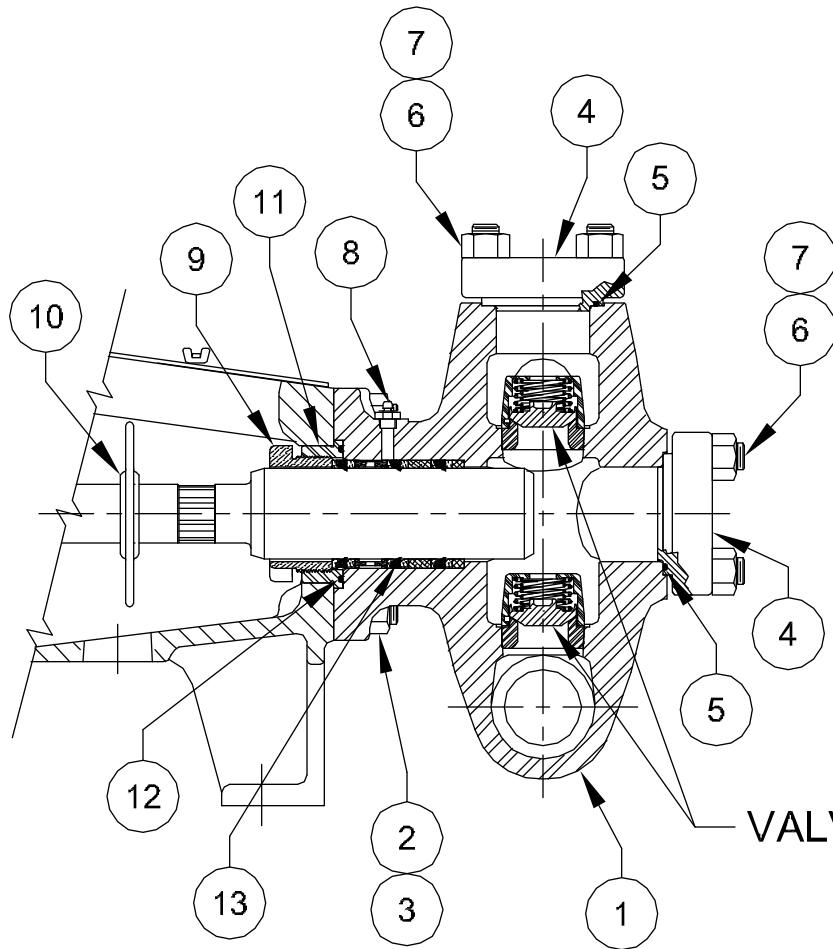
NONE

REV

A

SHT.:

1 OF 2



VALVE ASSEMBLY

	118030	SEVERE DUTY VALVE	
	118208	SPHERICAL VALVE-SEVERE DUTY	
	117960	SPHERICAL VALVE	
	118031	DISC VALVE	
	DRAWING No:	VALVE ASSEMBLY:	
3	See Plunger Kits	PACKING	13
3	110-000238-201	SEAL (ADAPTER)	12
3	001-010258-313	ADAPTER	11
3	001-007986-201	BAFFLE DISC	10
3	002-007977-261	GLAND NUT 1-3/4" THRU 2-1/2" PLUNGER	9
3	180-165000-220	LUBE FITTING	8
24	133-034010-286	NUT (VALVE COVER / CYLINDER HEAD)	7
24	102-034314-286	STUD (VALVE COVER / CYLINDER HEAD	6
6	110-000232-201	SEAL (VALVE COVER / CYLINDER HEAD	5
6	AAB-030700-261	CYLINDER HEAD / VALVE COVER	4
8	133-034010-286	NUT	3
8	102-034234-286	STUD	2
1	AAC-030728-316	FLUID END, CAST BRONZE	1
REQ'D	Part No.	DESCRIPTION	ITEM
BILL OF MATERIAL			

6

NOV NATIONAL OILWELL VARCO

HOUSTON, TEXAS, U.S.A.

ENGINEERING, TULSA, OKLAHOMA

TITLE:

ASSEMBLY, CAST FLUID END
BRONZE, 1-3/4" THRU 2-1/2" PLUNGER
59T-3M (T365AM)

DWG No.:

117731

SCALE:

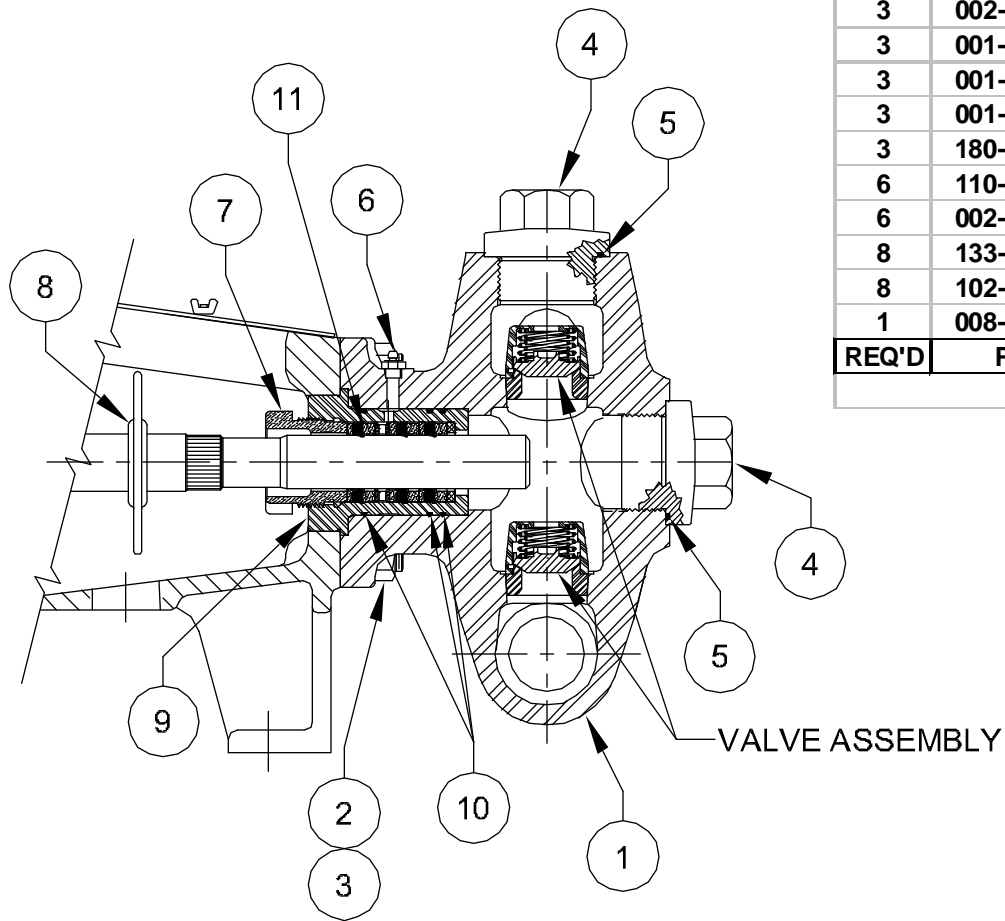
NONE

REV

A

SHT.:

2 OF 2



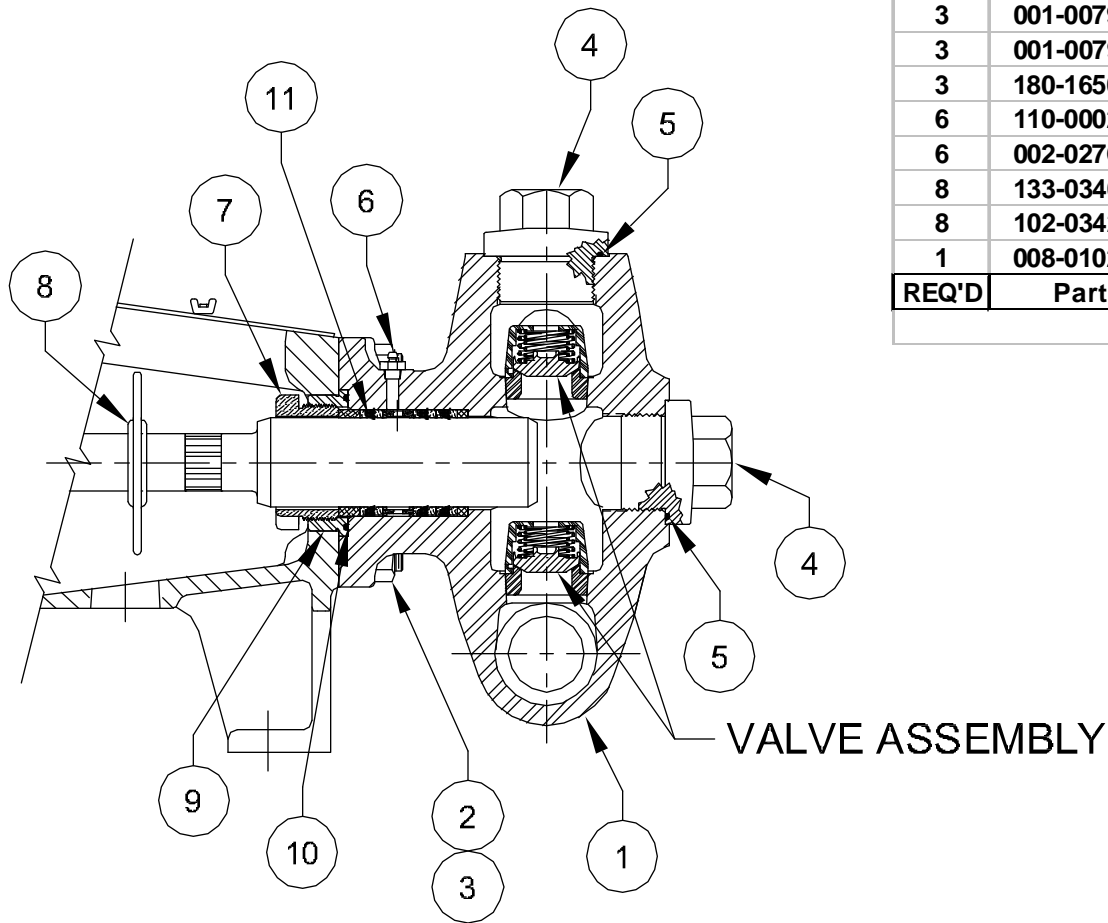
	118030	SEVERE DUTY VALVE	
	118208	SPHERICAL VALVE-SEVERE DUTY	
	117960	SPHERICAL VALVE	
	118031	DISC VALVE	
	DRAWING No:	VALVE ASSEMBLY:	
3	See Plunger Kits	PACKING	11
9	110-000232-200	SEAL (STUFFING BOX)	10
3	002-011673-237	STUFFING BOX	9
3	001-007986-201	BAFFLE DISC	8
3	001-011231-351	GLAND NUT 1-5/8"	
3	001-011230-351	GLAND NUT 1-1/2"	7
3	180-165000-220	LUBE FITTING	6
6	110-000233-200	SEAL (VALVE COVER / CYLINDER HEAD	5
6	002-027613-351	CYLINDER HEAD / VALVE COVER	4
8	133-034010-286	NUT	3
8	102-034234-286	STUD	2
1	008-010286-351	FLUID END, CAST - DUCTILE IRON	1
REQ'D	Part No.	DESCRIPTION	ITEM
BILL OF MATERIAL			

7

NOV NATIONAL OILWELL VARCO
 HOUSTON, TEXAS, U.S.A. ENGINEERING, TULSA, OKLAHOMA

TITLE:
 ASSEMBLY, CAST FLUID END
 DUCTILE IRON, 1-1/2" & 1-5/8" PLUNGER
 59T-3M (T365M)

DWG No.: 117805 SCALE: NONE REV A SHT.: 1 OF 2



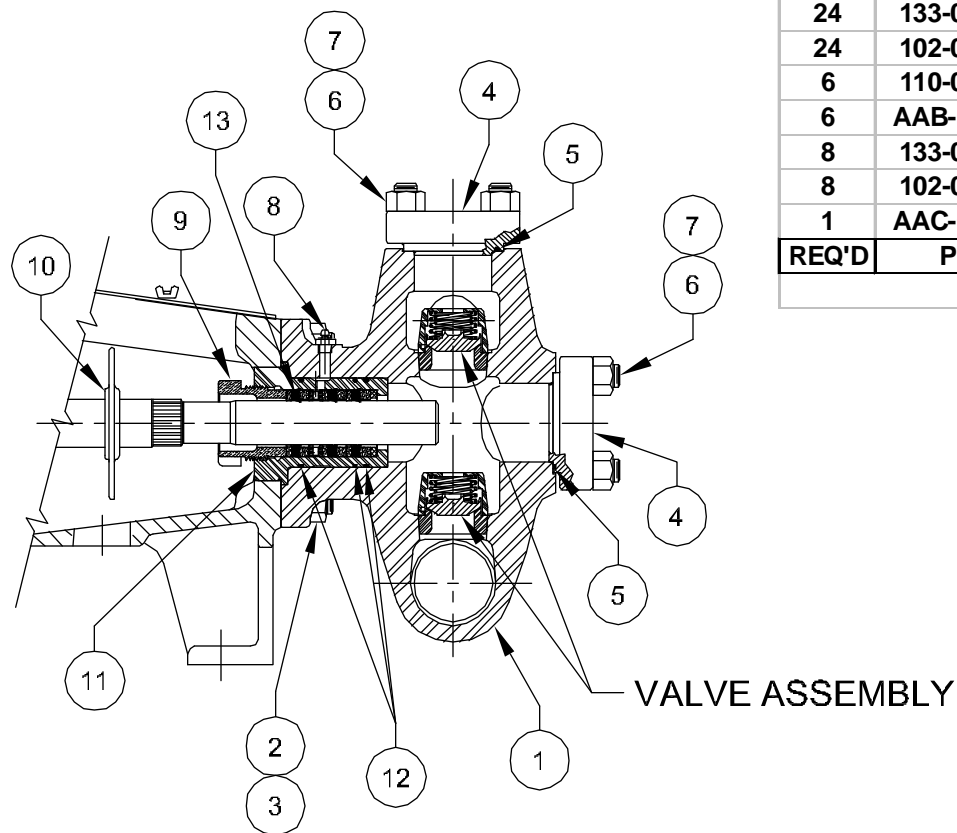
	118030	SEVERE DUTY VALVE	
	118208	SPHERICAL VALVE-SEVERE DUTY	
	117960	SPHERICAL VALVE	
	118031	DISC VALVE	
	DRAWING No:	VALVE ASSEMBLY:	
3	See Plunger Kits	PACKING	11
3	110-000238-200	SEAL (ADAPTER)	10
3	001-010258-236	ADAPTER	9
3	001-007986-201	BAFFLE DISC	8
3	001-007977-351	GLAND NUT 1-3/4" THRU 2-1/2"	7
3	180-165000-220	LUBE FITTING	6
6	110-000233-200	SEAL (VALVE COVER / CYLINDER HEAD	5
6	002-027613-351	CYLINDER HEAD / VALVE COVER	4
8	133-034010-286	NUT	3
8	102-034234-286	STUD	2
1	008-010286-351	FLUID END, CAST - DUCTILE IRON	1
REQ'D	Part No.	DESCRIPTION	ITEM
BILL OF MATERIAL			

8

NOV NATIONAL OILWELL VARCO
 HOUSTON, TEXAS, U.S.A. ENGINEERING, TULSA, OKLAHOMA

TITLE:
**ASSEMBLY, CAST FLUID END
 DUCTILE IRON, 1-3/4" THRU 2-1/2" PLUNGER
 59T-3M (T365M)**

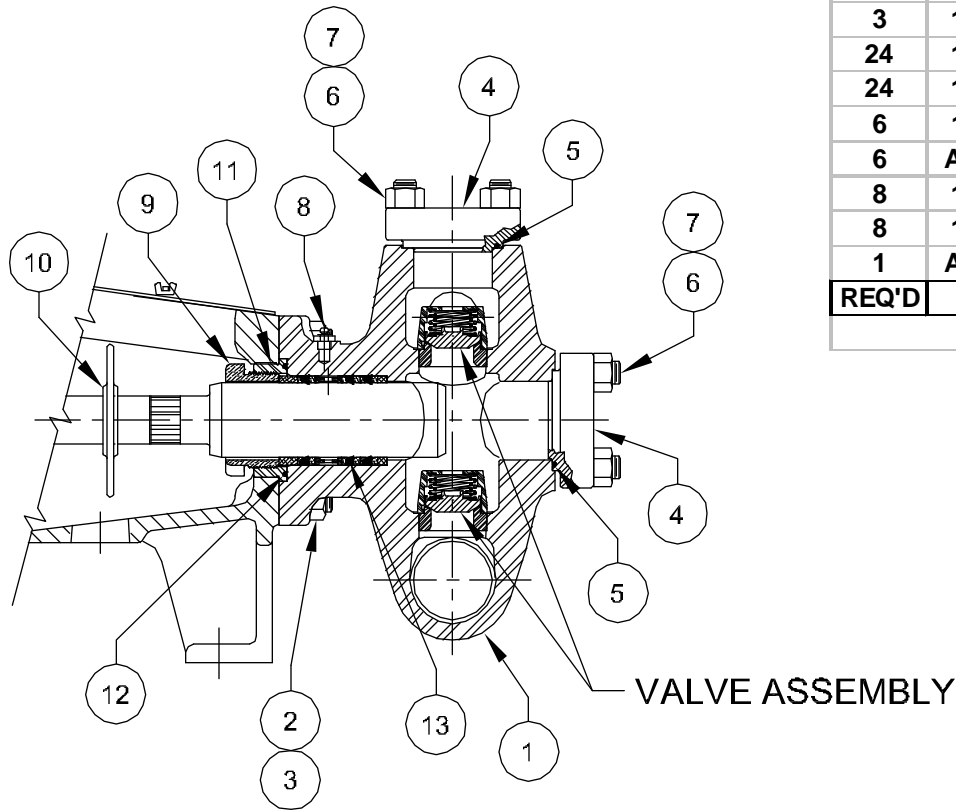
DWG No.: 117805	SCALE: NONE	REV A	SHT.: 2 OF 2
-----------------	-------------	-------	--------------



	118030	SEVERE DUTY VALVE	
	118208	SPHERICAL VALVE-SEVERE DUTY	
	117960	SPHERICAL VALVE	
	118031	DISC VALVE	
	DRAWING No:	VALVE ASSEMBLY:	
3	See Plunger Kits	PACKING	13
9	110-000232-200	SEAL (STUFFING BOX)	12
3	002-011673-278	STUFING BOX	11
3	001-007986-201	BAFFLE DISC	10
3	ABC-013800-E16	GLAND NUT 1-5/8"	
3	ACC-013800-E16	GLAND NUT 1-1/2"	9
3	180-165000-220	LUBE FITTING	8
24	133-034010-287	NUT (VALVE COVER / CYLINDER HEAD)	7
24	102-034314-287	STUD (VALVE COVER / CYLINDER HEAD	6
6	110-000232-200	SEAL (VALVE COVER / CYLINDER HEAD	5
6	AAB-030700-596	CYLINDER HEAD / VALVE COVER	4
8	133-034010-287	NUT	3
8	102-034234-287	STUD	2
1	AAC-030728-594	FLUID END, CAST STAINLESS STEEL	1
REQ'D	Part No.	DESCRIPTION	ITEM
BILL OF MATERIAL			

9

NOV NATIONAL OILWELL VARCO			
HOUSTON, TEXAS, U.S.A.		ENGINEERING, TULSA, OKLAHOMA	
TITLE: ASSEMBLY, CAST FLUID END STAINLESS STEEL, THREADED CONNECTION 1-1/2" & 1-5/8" PLUNGER, 59T-3M (T365AM)			
DWG No.:	117949	SCALE:	NONE
		REV:	A
		SHT.:	1 OF 2



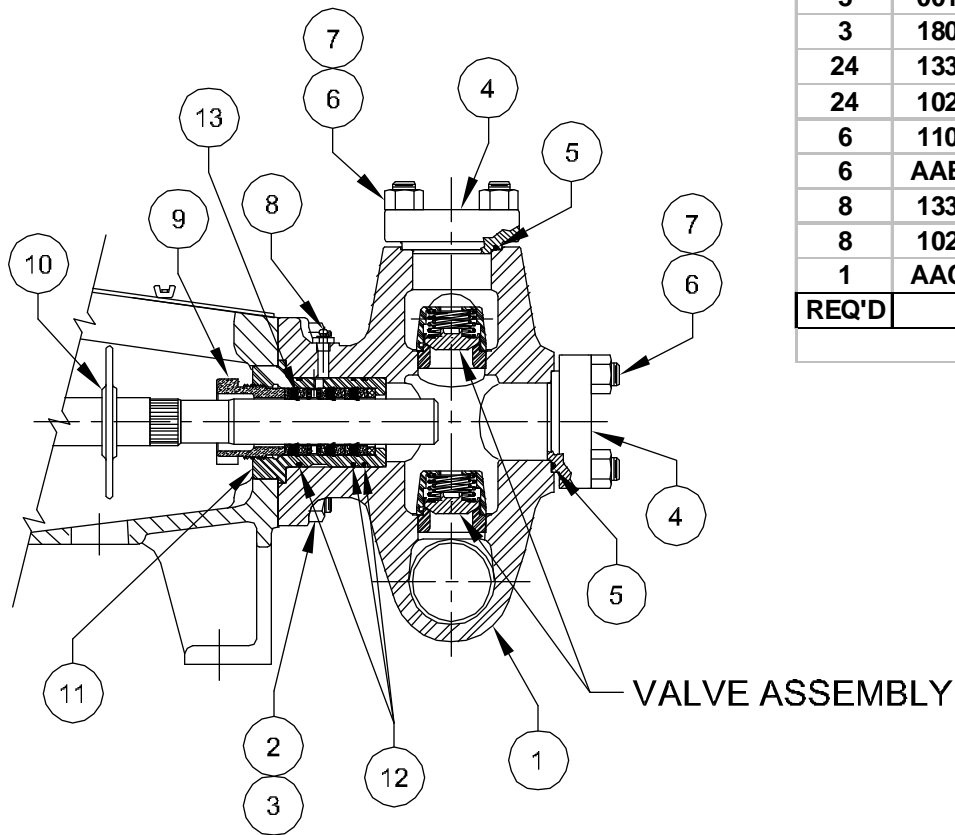
	118030	SEVERE DUTY VALVE	
	118208	SPHERICAL VALVE-SEVERE DUTY	
	117960	SPHERICAL VALVE	
	118031	DISC VALVE	
	<u>DRAWING No:</u>	<u>VALVE ASSEMBLY:</u>	
3	See Plunger Kits	PACKING	13
3	110-000238-200	SEAL (ADAPTER)	12
3	001-010258-278	ADAPTER	11
3	001-007986-201	BAFFLE DISC	10
3	002-007977-E16	GLAND NUT 1-3/4" THRU 2-1/2"	9
3	180-165000-220	LUBE FITTING	8
24	133-034010-287	NUT (VALVE COVER / CYLINDER HEAD)	7
24	102-034314-287	STUD (VALVE COVER / CYLINDER HEAD	6
6	110-000232-200	SEAL (VALVE COVER / CYLINDER HEAD	5
6	AAB-030700-596	CYLINDER HEAD / VALVE COVER	4
8	133-034010-287	NUT	3
8	102-034234-287	STUD	2
1	AAC-030728-594	FLUID END, CAST STAINLESS STEEL	1
REQ'D	Part No.	DESCRIPTION	ITEM
BILL OF MATERIAL			

10

NOV NATIONAL OILWELL VARCO
 HOUSTON, TEXAS, U.S.A. ENGINEERING, TULSA, OKLAHOMA

TITLE:
**ASSEMBLY, CAST FLUID END
 STAINLESS STEEL, THREADED CONNECTION
 1-3/4" THRU 2-1/2" PLGR, 59T-3M (T365AM)**

DWG No.: 117949	SCALE: NONE	REV A	SHT.: 2 OF 2
--------------------	----------------	----------	-----------------



	118030	SEVERE DUTY VALVE	
	118208	SPHERICAL VALVE-SEVERE DUTY	
	117960	SPHERICAL VALVE	
	118031	DISC VALVE	
	<u>DRAWING No:</u>	<u>VALVE ASSEMBLY:</u>	
3	See Plunger Kits	PACKING	13
9	110-000232-200	SEAL (STUFFING BOX)	12
3	002-011673-237	STUFING BOX	11
3	001-007986-201	BAFFLE DISC	10
3	001-011231-351	GLAND NUT, D.I., 1-5/8"	
3	001-011230-351	GLAND NUT, D.I., 1-1/2"	
3	001-011231-304	GLAND NUT, BRZ, 1-5/8"	
3	001-011230-304	GLAND NUT, BRZ, 1-1/2"	9
3	180-165000-220	LUBE FITTING	8
24	133-034010-286	NUT (VALVE COVER / CYLINDER HEAD)	7
24	102-034314-286	STUD (VALVE COVER / CYLINDER HEAD	6
6	110-000232-201	SEAL (VALVE COVER / CYLINDER HEAD	5
6	AAB-030700-261	CYLINDER HEAD / VALVE COVER	4
8	133-034010-286	NUT	3
8	102-034234-286	STUD	2
1	AAC-030728-227	FLUID END, CAST - STEEL	1
REQ'D	Part No.	DESCRIPTION	ITEM
BILL OF MATERIAL			

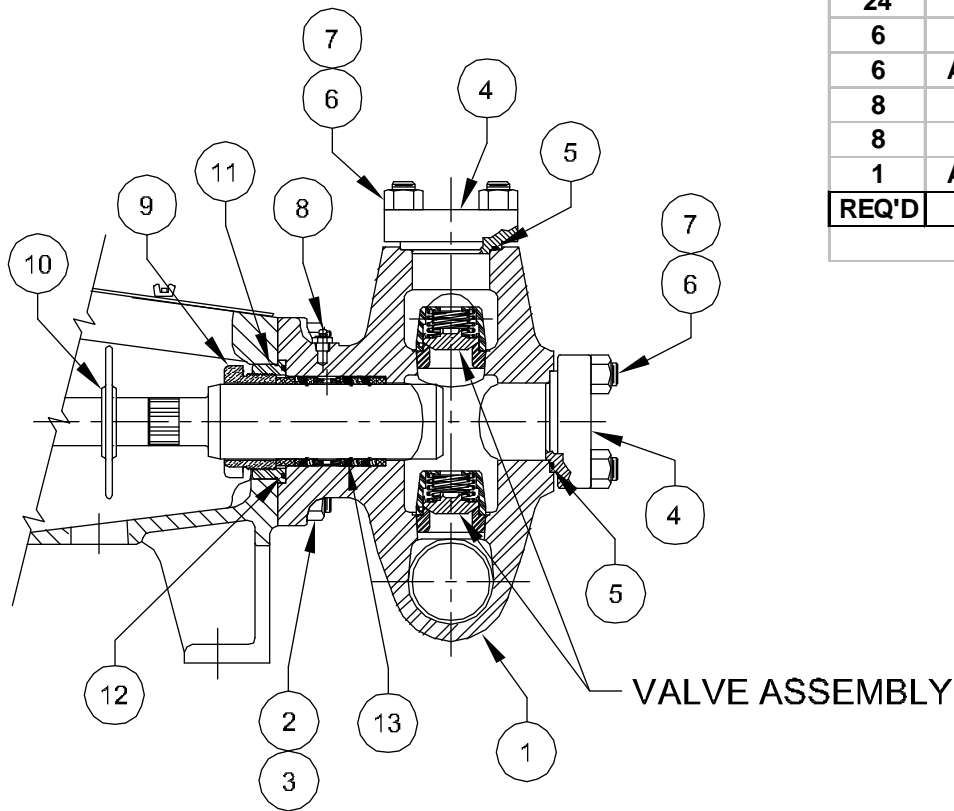
NOV NATIONAL OILWELL VARCO

HOUSTON, TEXAS, U.S.A. ENGINEERING, TULSA, OKLAHOMA

TITLE:

ASSEMBLY, CAST FLUID END
CAST STEEL, THREADED CONNECTION
1-1/2" & 1-5/8" PLUNGER, 59T-3M (T365AM)

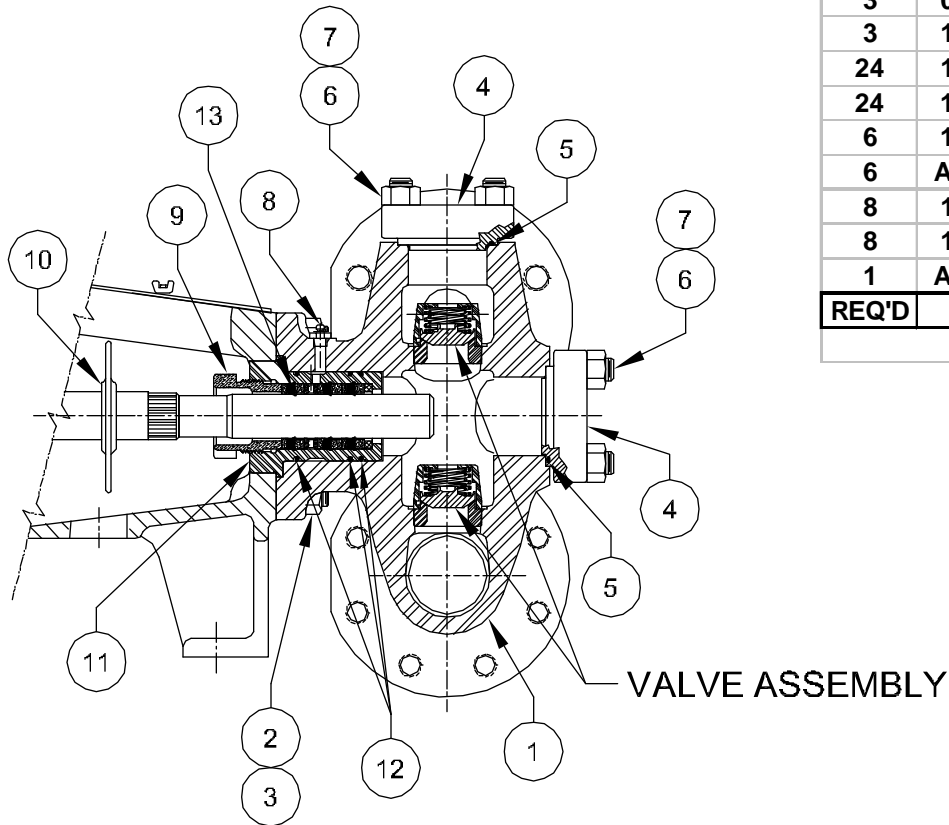
DWG No.:	SCALE:	REV:	SHT.:
117950	NONE	A	1 OF 2



	118030	SEVERE DUTY VALVE	
	118208	SPHERICAL VALVE-SEVERE DUTY	
	117960	SPHERICAL VALVE	
	118031	DISC VALVE	
	DRAWING No:	VALVE ASSEMBLY:	
3	See Plugner Kits	PACKING	13
3	110-000238-201	SEAL (ADAPTER)	12
3	001-010258-278	ADAPTER	11
3	001-007986-201	BAFFLE DISC	10
3	001-007977-351	GLAND NUT, D.I. 1-3/4" THRU 2-1/2"	
3	002-007977-261	GLAND NUT, SS 1-3/4" THRU 2-1/2"	9
3	180-165000-220	LUBE FITTING	8
24	133-034010-286	NUT (VALVE COVER / CYLINDER HEAD)	7
24	102-034314-286	STUD (VALVE COVER / CYLINDER HEAD	6
6	110-000232-201	SEAL (VALVE COVER / CYLINDER HEAD	5
6	AAB-030700-261	CYLINDER HEAD / VALVE COVER	4
8	133-034010-286	NUT	3
8	102-034234-286	STUD	2
1	AAC-030728-227	FLUID END, CAST - STEEL	1
REQ'D	Part No.	DESCRIPTION	ITEM
BILL OF MATERIAL			

12

NOV NATIONAL OILWELL VARCO			
HOUSTON, TEXAS, U.S.A.		ENGINEERING, TULSA, OKLAHOMA	
TITLE:			
ASSEMBLY, CAST FLUID END CAST STEEL, THREADED CONNECTION 1-3/4" THRU 2-1/2" PLGR, 59T-3M (T365AM)			
DWG No.:	117950	SCALE:	NONE
REV	A	SHT.:	2 OF 2



	118030	SEVERE DUTY VALVE	
	118208	SPHERICAL VALVE-SEVERE DUTY	
	117960	SPHERICAL VALVE	
	118031	DISC VALVE	
	DRAWING No:	VALVE ASSEMBLY:	
3	See Plunger Kits	PACKING	13
9	110-000232-200	SEAL (STUFFING BOX)	12
3	002-011673-316	STUFFING BOX	11
3	001-007986-201	BAFFLE DISC	10
3	001-011231-304	GLAND NUT 1-5/8"	
3	001-011230-304	GLAND NUT 1-1/2"	9
3	180-165000-220	LUBE FITTING	8
24	133-034010-286	NUT (VALVE COVER / CYLINDER HEAD)	7
24	102-034314-286	STUD (VALVE COVER / CYLINDER HEAD	6
6	110-000232-201	SEAL (VALVE COVER / CYLINDER HEAD	5
6	AAB-030700-261	CYLINDER HEAD / VALVE COVER	4
8	133-034010-286	NUT	3
8	102-034234-286	STUD	2
1	AAC-030778-316	FLUID END, CAST BRONZE	1
REQ'D	Part No.	DESCRIPTION	ITEM
BILL OF MATERIAL			

13

NOV NATIONAL OILWELL VARCO

HOUSTON, TEXAS, U.S.A.

ENGINEERING, TULSA, OKLAHOMA

TITLE:

ASSEMBLY, CAST FLUID END
BRONZE FLANGED CONNECTION
1-1/2" & 1-5/8" PLUNGER, 59T-3M (T365AM)

DWG No.:

117948

SCALE:

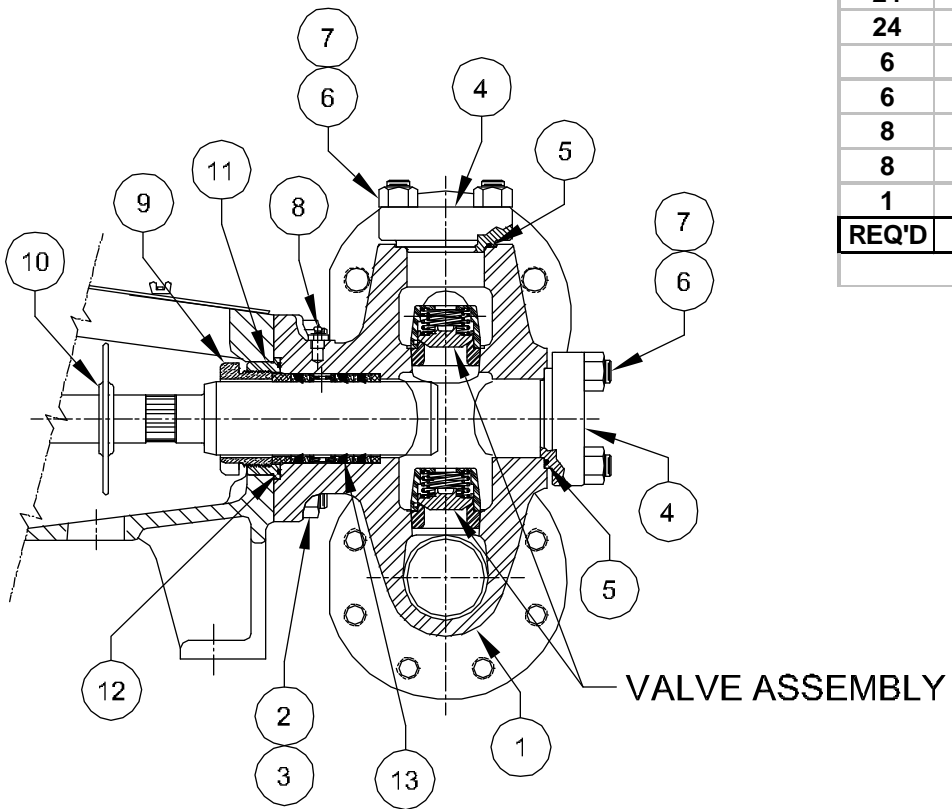
NONE

REV

A

SHT.:

1 OF 2



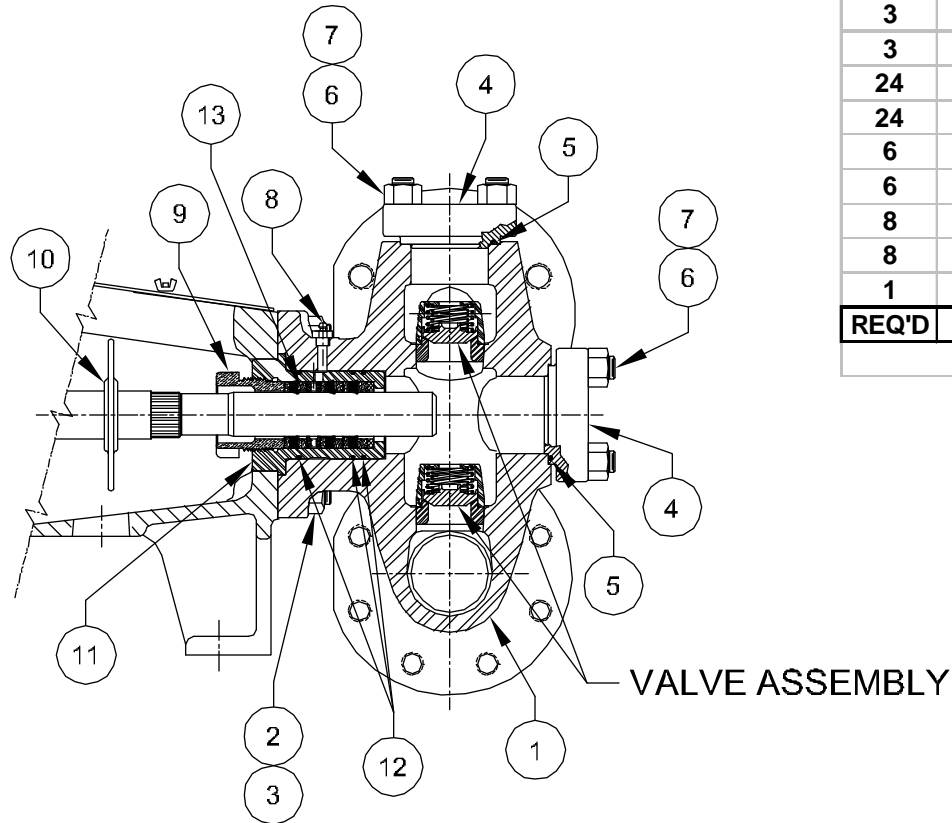
VALVE ASSEMBLY

	118030	SEVERE DUTY VALVE	
	118208	SPHERICAL VALVE-SEVERE DUTY	
	117960	SPHERICAL VALVE	
	118031	DISC VALVE	
	<u>DRAWING No:</u>	<u>VALVE ASSEMBLY:</u>	
3	See Plunger Kits	PACKING	13
3	110-000238-200	SEAL (ADAPTER)	12
3	001-010258-313	ADAPTER	11
3	001-007986-201	BAFFLE DISC	10
3	002-007977-261	GLAND NUT 1-3/4" THRU 2-1/2" PLUNGER	9
3	180-165000-220	LUBE FITTING	8
24	133-034010-286	NUT (VALVE COVER / CYLINDER HEAD)	7
24	102-034314-286	STUD (VALVE COVER / CYLINDER HEAD	6
6	110-000232-201	SEAL (VALVE COVER / CYLINDER HEAD	5
6	AAB-030700-261	CYLINDER HEAD / VALVE COVER	4
8	133-034010-286	NUT	3
8	102-034234-286	STUD	2
1	AAC-030778-316	FLUID END, CAST - BRONZE	1
REQ'D	Part No.	DESCRIPTION	ITEM
BILL OF MATERIAL			

NOV NATIONAL OILWELL VARCO
 HOUSTON, TEXAS, U.S.A. ENGINEERING, TULSA, OKLAHOMA

TITLE:
 ASSEMBLY, CAST FLUID END
 BRONZE FLANGED CONNECTION
 1-3/4" THRU 2-1/2" PLGR, 59T-3M (T365AM)

DWG No.:	SCALE:	REV	SHT.:
117948	NONE	A	2 OF 2



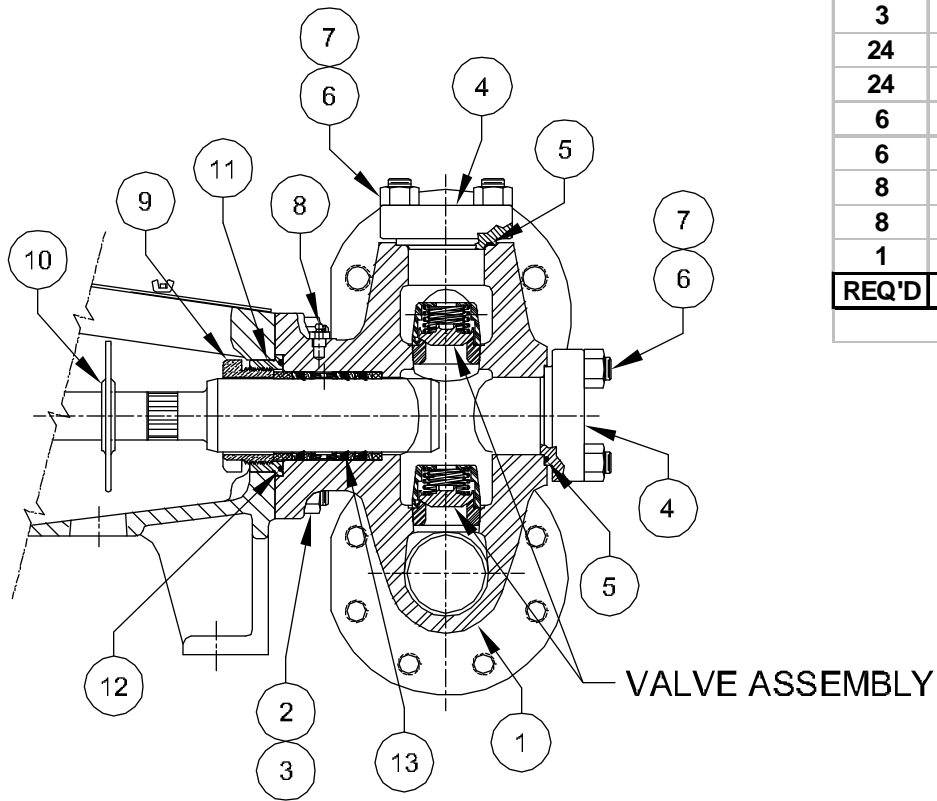
	118030	SEVERE DUTY VALVE	
	118208	SPHERICAL VALVE-SEVERE DUTY	
	117960	SPHERICAL VALVE	
	118031	DISC VALVE	
	DRAWING No:	VALVE ASSEMBLY:	
3	See Plunger Kits	PACKING	13
9	110-000232-200	SEAL (STUFFING BOX)	12
3	002-011673-278	STUFFING BOX	11
3	001-007986-201	BAFFLE DISC	10
3	ABC-013800-E16	GLAND NUT 1-5/8"	
3	ACC-013800-E16	GLAND NUT 1-1/2"	9
3	180-165000-220	LUBE FITTING	8
24	133-034010-287	NUT (VALVE COVER / CYLINDER HEAD)	7
24	102-034314-287	STUD (VALVE COVER / CYLINDER HEAD	6
6	110-000232-201	SEAL (VALVE COVER / CYLINDER HEAD	5
6	AAB-030700-596	CYLINDER HEAD / VALVE COVER	4
8	133-034010-287	NUT	3
8	102-034234-287	STUD	2
1	AAC-030778-594	FLUID END, CAST - STAINLESS STEEL	1
REQ'D	Part No.	DESCRIPTION	ITEM
BILL OF MATERIAL			

15

NOV NATIONAL OILWELL VARCO
 HOUSTON, TEXAS, U.S.A. ENGINEERING, TULSA, OKLAHOMA

TITLE:
 ASSEMBLY, CAST FLUID END
 STAINLESS STEEL FLANGED CONNECTION
 1-1/2" & 1-5/8" PLUNGER, 59T-3M (T365AM)

DWG No.: 117827	SCALE: NONE	REV A	SHT.: 1 OF 2
--------------------	----------------	----------	-----------------

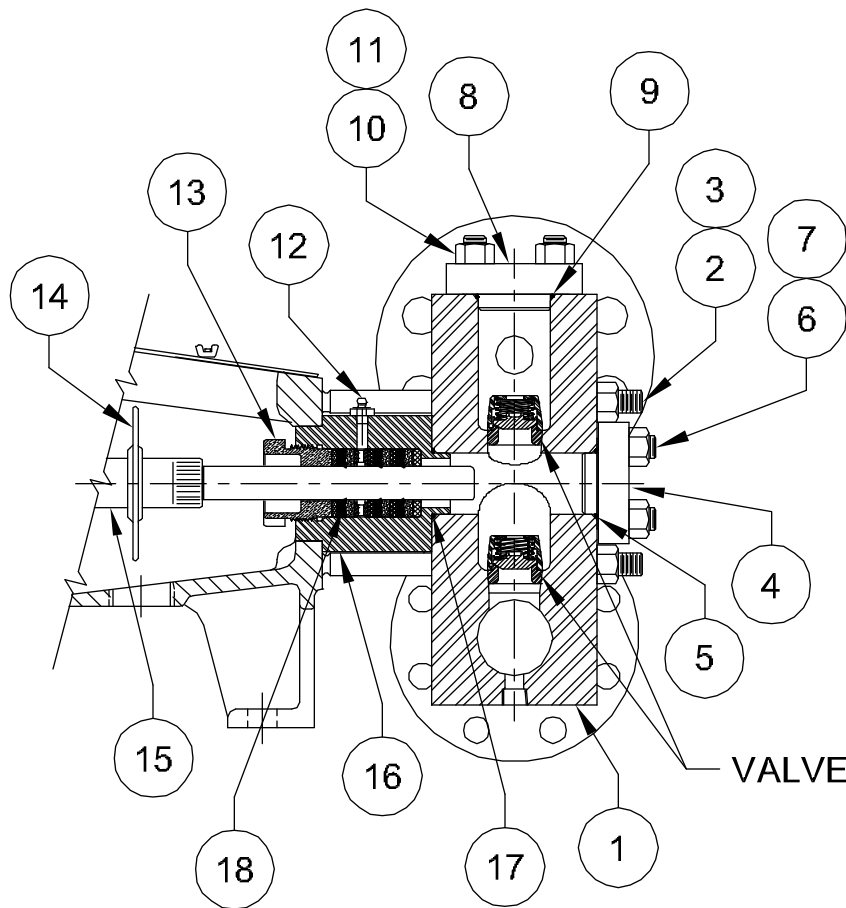


	118030	SEVERE DUTY VALVE	
	118208	SPHERICAL VALVE-SEVERE DUTY	
	117960	SPHERICAL VALVE	
	118031	DISC VALVE	
	DRAWING No:	VALVE ASSEMBLY:	
3	See Plunger Kits	PACKING	13
3	110-000238-200	SEAL (ADAPTER)	12
3	001-010258-278	ADAPTER	11
3	001-007986-201	BAFFLE DISC	10
3	002-007977-E16	GLAND NUT 1-3/4" THRU 2-1/2" PLUNGER	9
3	180-165000-220	LUBE FITTING	8
24	133-034010-287	NUT (VALVE COVER / CYLINDER HEAD)	7
24	102-034314-287	STUD (VALVE COVER / CYLINDER HEAD	6
6	110-000232-201	SEAL (VALVE COVER / CYLINDER HEAD	5
6	AAB-030700-596	CYLINDER HEAD / VALVE COVER	4
8	133-034010-287	NUT	3
8	102-034234-287	STUD	2
1	AAC-030778-594	FLUID END, CAST - STAINLESS STEEL	1
REQ'D	Part No.	DESCRIPTION	ITEM
BILL OF MATERIAL			

NOV NATIONAL OILWELL VARCO
 HOUSTON, TEXAS, U.S.A. ENGINEERING, TULSA, OKLAHOMA

TITLE:
**ASSEMBLY, CAST FLUID END
 STAINLESS STEEL, FLANGED CONNECTION
 1-3/4" THRU 2-1/2" PLGR, 59T-3M (T365AM)**

DWG No:	117827	SCALE:	NONE	REV	A	SHT.:	2 OF 2
---------	--------	--------	------	-----	---	-------	--------



VALVE ASSEMBLY

	118033	SEVERE DUTY VALVE	
	118209	SPHERICAL VALVE-SEVERE DUTY	
	118032	SPHERICAL VALVE	
	118034	DISC VALVE	
	<u>DRAWING No:</u>	<u>VALVE ASSEMBLY:</u>	
3	See Plunger Kits	PACKING	18
3	110-000226-200	SEAL - STUFFING BOX	17
3	AAC-117585-270	STUFFING BOX	16
3	001-010260-402	ADAPTER ROD, (1-1/4 & 1-3/8 PLGR)	
3	001-009090-402	ADAPTER ROD (1-1/8 PLGR)	15
3	001-007986-201	BAFFLE DISC	14
3	001-011229-351	GLAND NUT 1-3/8"	
3	001-011228-351	GLAND NUT 1-1/4"	
3	001-011227-351	GLAND NUT 1-1/8"	13
3	180-165000-220	LUBE FITTING	12
12	133-034010-286	NUT	11
12	102-034300-286	STUD	10
3	110-000229-200	SEAL (VALVE COVER)	9
3	AAC-117375-231	VALVE COVER	8
12	133-034010-286	NUT	7
12	102-034300-286	STUD	6
3	110-000226-200	SEAL (CYLINDER HEAD)	5
3	AAC-117502-231	CYLINDER HEAD	4
8	133-034010-286	NUT	3
8	AJB-030410-286	STUD	2
1	ACC-117584-H02	FLUID END, STEEL	1
REQ'D	Part No.	DESCRIPTION	ITEM
BILL OF MATERIAL			

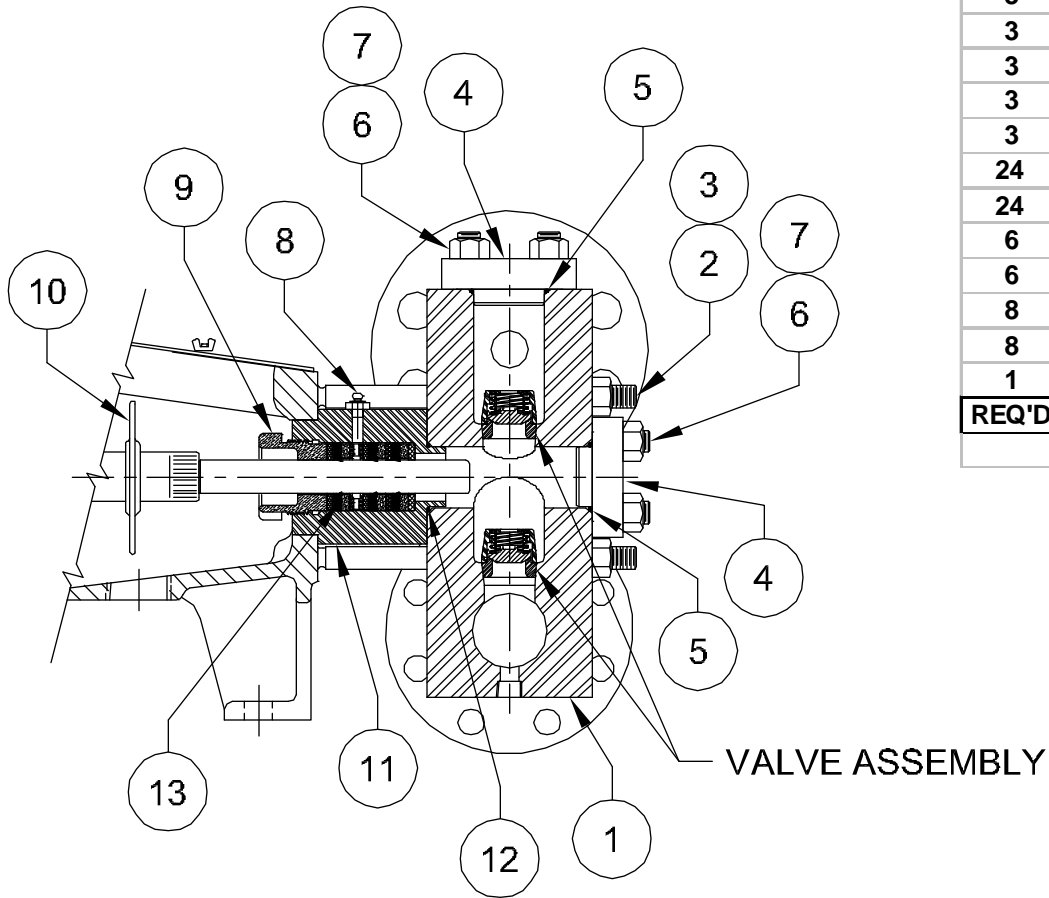
17

NOV NATIONAL OILWELL VARCO
 HOUSTON, TEXAS, U.S.A. ENGINEERING, TULSA, OKLAHOMA

TITLE:
 ASSEMBLY, FLUID END
 STEEL FLANGED, 1-1/8" THRU 1-3/8"
 PLUNGER, 59T-3MSC (T385-2)

DWG No.:	SCALE:	REV	SHT.:
117804	NONE	A	1 OF 3

	118030	SEVERE DUTY VALVE	
	118208	SPHERICAL VALVE-SEVERE DUTY	
	117960	SPHERICAL VALVE	
	118031	DISC VALVE	
	DRAWING No:	VALVE ASSEMBLY:	
3	See Plunger Kits	PACKING	13
3	110-000337-200	SEAL - STUFFING BOX	12
3	AAC-030944-270	STUFFING BOX	11
3	001-007986-201	BAFFLE DISC	10
3	001-011231-351	GLAND NUT 1-5/8"	
3	001-011230-351	GLAND NUT 1-1/2"	9
3	180-165000-220	LUBE FITTING	8
24	133-034010-286	NUT	7
24	102-034300-286	STUD	6
6	110-000337-200	SEAL (CYL HEAD/VALVE COVER)	5
6	AAB-030939-231	CYLINDER HEAD/VALVE COVER	4
8	133-034010-286	NUT	3
8	AJB-030410-286	STUD	2
1	AAC-116320-H02	FLUID END, STEEL	1
REQ'D	Part No.	DESCRIPTION	ITEM
BILL OF MATERIAL			



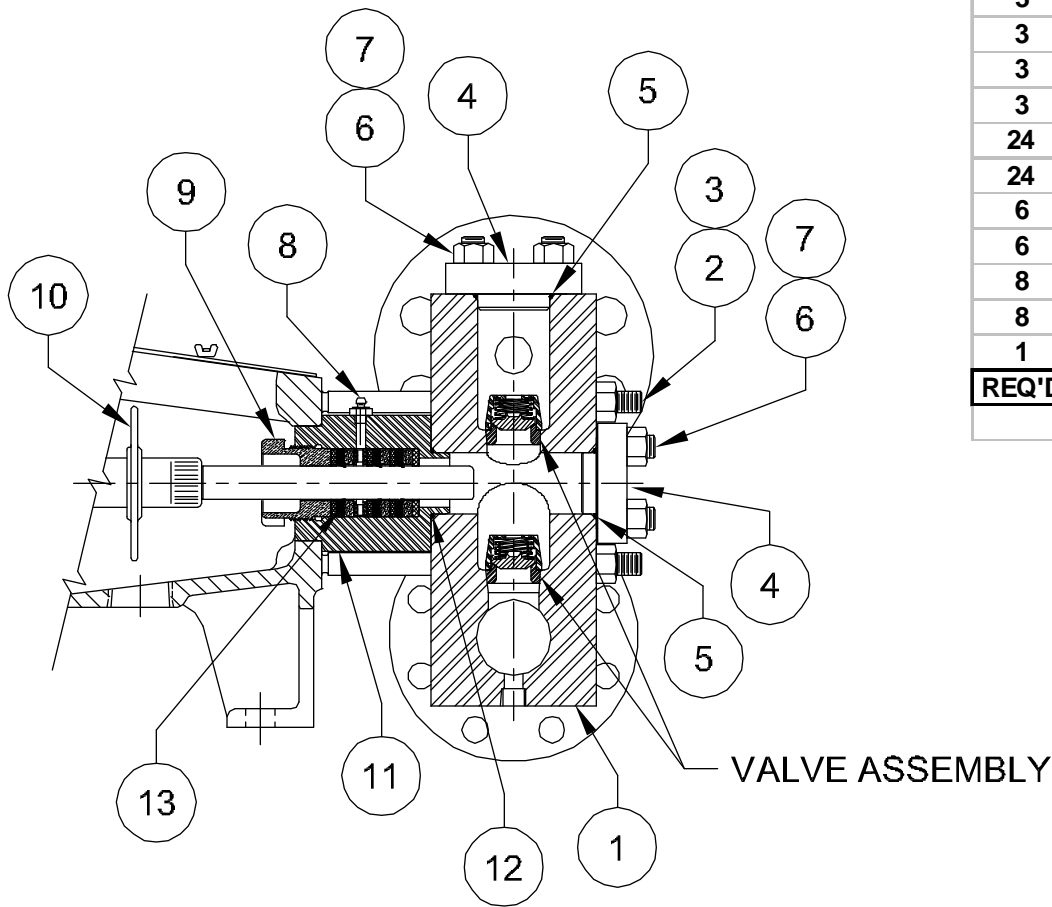
18

NOV NATIONAL OILWELL VARCO

HOUSTON, TEXAS, U.S.A. ENGINEERING, TULSA, OKLAHOMA

TITLE:
**ASSEMBLY, FLUID END
STEEL FLANGED, 1-1/2" THRU 1-5/8"
PLUNGER, 59T-3MC (T385-3)**

DWG No.:	SCALE:	REV	SHT.:
117804	NONE	A	2 OF 3



	118030	SEVERE DUTY VALVE	
	118208	SPHERICAL VALVE-SEVERE DUTY	
	117960	SPHERICAL VALVE	
	118031	DISC VALVE	
	DRAWING No:	VALVE ASSEMBLY:	
3	See Plunger Kits	PACKING	13
3	110-000337-200	SEAL - STUFFING BOX	12
3	AAC-030940-270	STUFFING BOX	11
3	001-007986-201	BAFFLE DISC	10
3	002-007977-261	GLAND NUT 1-3/4" THRU 2-1/2"	9
3	180-165000-220	LUBE FITTING	8
24	133-034010-286	NUT	7
24	102-034300-286	STUD	6
6	110-000337-200	SEAL (CYL HEAD/VALVE COVER)	5
6	AAB-030939-231	CYLINDER HEAD/VALVE COVER	4
8	133-034010-286	NUT	3
8	AJB-030410-286	STUD	2
1	AAC-116320-H02	FLUID END, STEEL	1
REQ'D	Part No.	DESCRIPTION	ITEM
BILL OF MATERIAL			

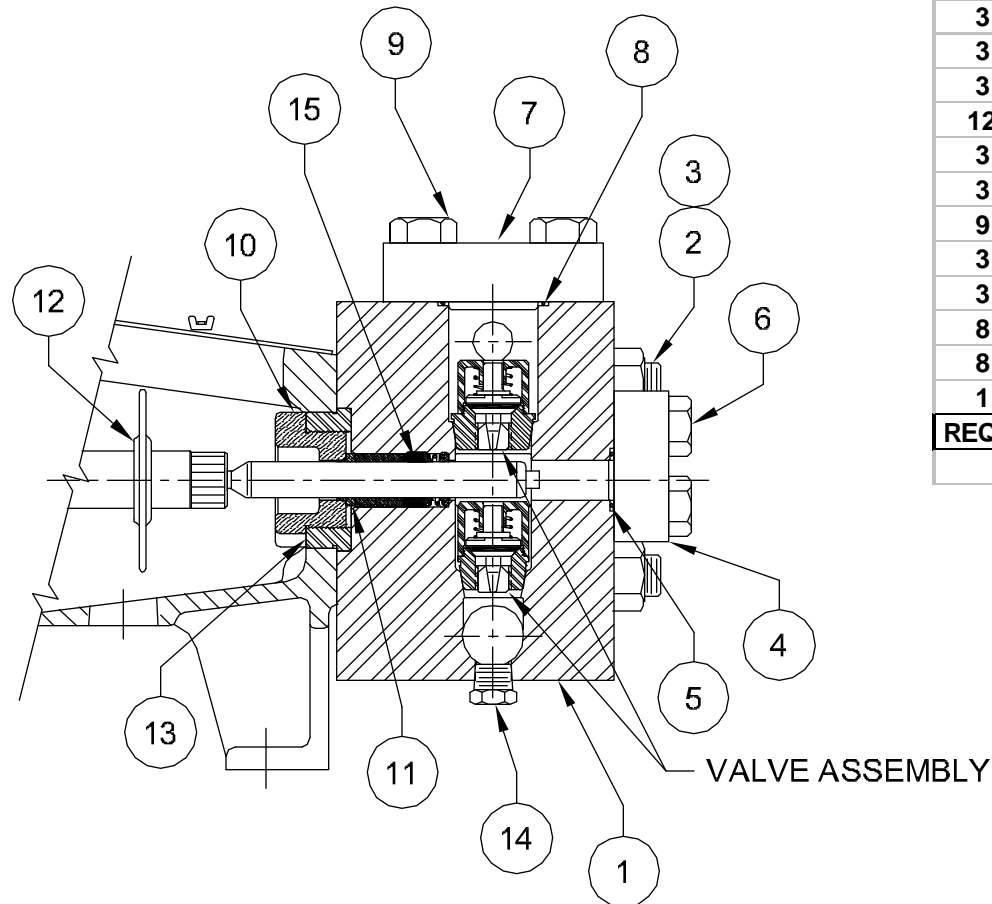
19

NOV NATIONAL OILWELL VARCO

HOUSTON, TEXAS, U.S.A. ENGINEERING, TULSA, OKLAHOMA

TITLE:
ASSEMBLY, FLUID END
STEEL FLANGED, 1-3/4" THRU 2-1/2"
PLUNGER, 59T-3MC (T385-3)

DWG No.: 117804	SCALE: NONE	REV A	SHT.: 3 OF 3
--------------------	----------------	----------	-----------------



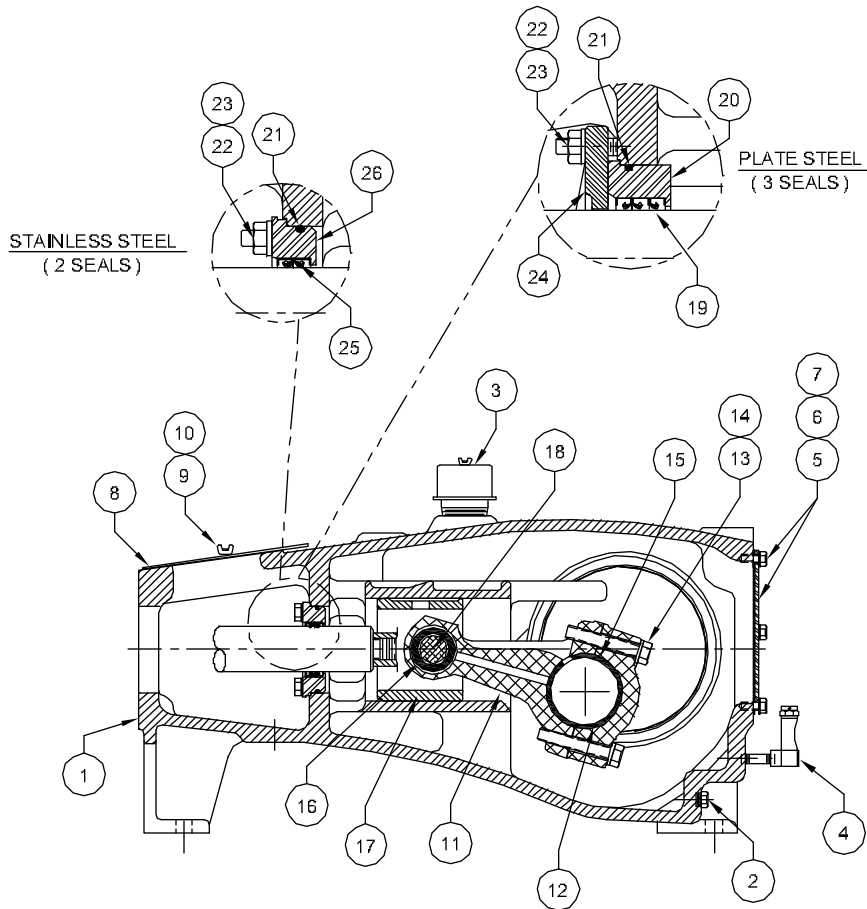
	118035	SEVERE DUTY, SUCTION	
	118036	SEVERE DUTY, DISCHARGE	
	DRAWING No:	VALVE ASSEMBLY:	
3	See Plunger Kits	PACKING	15
3	170-012002-405	DRAIN PLUG	14
3	001-009075-310	ADAPTER	13
3	001-007986-201	BAFFLE DISC	12
3	001-017049-302	FOLLOWER 3/4"	
3	001-014719-302	FOLLOWER 7/8"	
3	001-017050-302	FOLLOWER 1"	11
3	001-009071-301	GLAND NUT 3/4"	
3	001-009071-301	GLAND NUT 7/8"	
3	001-009071-301	GLAND NUT 1"	10
12	100-118300-287	CAP SCREW (VALVE COVER)	9
3	001-010355-200	SEAL (VALVE COVER)	8
3	004-017423-999	VALVE COVER	7
9	100-100234-287	CAP SCREW (CYLINDER HEAD)	6
3	001-010354-200	SEAL (CYLINDER HEAD)	5
3	004-017424-278	CYLINDER HEAD	4
8	133-034010-287	NUT	3
8	102-034912-287	STUD	2
1	004-010349-276	FLUID END, FGD. STAINLESS STEEL	1
REQ'D	Part No.	DESCRIPTION	ITEM
BILL OF MATERIAL			

20

NOV NATIONAL OILWELL VARCO
 HOUSTON, TEXAS, U.S.A. ENGINEERING, TULSA, OKLAHOMA

TITLE:
 ASSEMBLY, FORGED FLUID END
 STAINLESS STEEL, THREADED CONNECTION
 3/4" THRU 1" PLUNGER, 59T-3H (T365H)

DWG No.:	SCALE:	REV	SHT.:
117951	NONE	A	1 OF 1



REQ'D	Part No.	DESCRIPTION	ITEM
		< * > NOT SHOWN ON PARTS DRAWING	
2	170-014003-220	PLUG < * >	27
3	002-027668-261	WIPER BOX (2 SEAL)	26
6	145-158238-999	OIL SEAL (2 SEAL)	25
3	001-007968-350	GLAND	24
6	150-038016-306	NUT	23
6	104-038114-286	STUD	22
3	110-000238-201	O-RING	21
3	001-007963-237	WIPER BOX (3 SEAL)	20
9	145-158238-999	OIL SEAL (3 SEAL)	19
3	001-007954-236	WRIST PIN	18
3	002-007957-350	CROSSHEAD	17
3	001-007953-302	BUSHING	16
6	001-007959-999	SHIM SET, CONNECTING ROD	15
6	100-012234-290	CAP SCREW	14
6	154-012087-220	LOCK WASHER	13
3	002-001292-999	SHELL BEARING	12
3	998-016300-035	CONNECTING ROD (COMPLETE) - SEE NOTE BELOW	11
2	187-038016-286	WING NUT (CRADLE COVER)	10
2	104-038100-286	STUD (CRADLE COVER)	9
1	AAA-029694-220	CRADLE COVER	8
10	100-038012-290	CAP SCREW (CRANKCASE COVER)	7
1	001-007966-204	GASKET (CRANKCASE COVER)	6
1	001-007965-231	CRANKCASE COVER	5
1	001-010803-999	OIL SITE GAUGE	4
1	AAA-030436-999	AIR BREATHER	3
1	170-012005-353	DRAIN PLUG	2
1	004-029226-356	POWER FRAME	1
		BILL OF MATERIAL	

< * > NOT SHOWN

NOTE: INCLUDES ITEMS 13, 14, 16.

21



HOUSTON, TEXAS, U.S.A.

ENGINEERING, TULSA, OKLAHOMA

TITLE:

ASSEMBLY, POWER END
59T-3 (T365)

DWG No.:

117802

SCALE:

NONE

REV

A

SHT.:

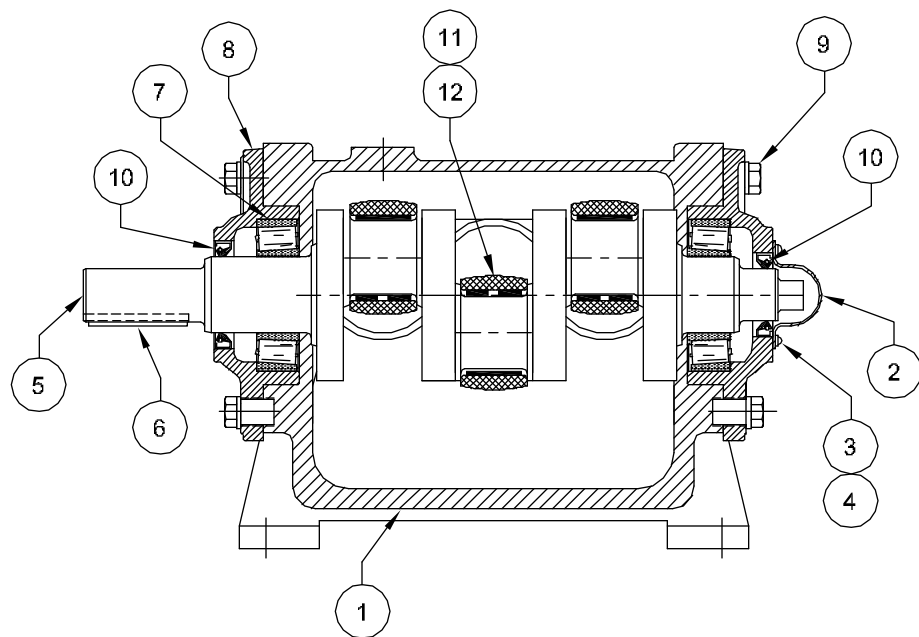
1 OF 1

3	998-016300-034	CONNECTING ROD w/ NDL BEARING (*)	DD
3	998-016300-036	WIPER BOX GLAND NUT KIT (*)	BB
3	998-016300-039	POWER END GASKET KIT (*)	AA
REQ'D	Part No.	DESCRIPTION	OPTION

OPTIONAL PARTS AND KITS

3	002-01292-999	SHELL BEARING	12
3	998-016300-035	CONNECTING ROD (COMPLETE)	11
2	145-212312-999	OIL SEAL	10
12	100-058114-290	CAP SCREW (BEARING HOUSING)	9
2	120-0007961-350	BEARING HOUSING	8
2	120-256053-999	END BEARING	7
1	146-058234-236	KEY	6
1	008-028750-348	CRANKSHAFT	5
2	154-014049-220	LOCK WASHER	4
2	113-014038-220	MACHINE SCREW (**)	3
1	001-007971-282	EXTENSION GUARD (**)	2
1	004-029226-356	POWER FRAME	1
REQ'D	Part No.	DESCRIPTION	ITEM

BILL OF MATERIAL

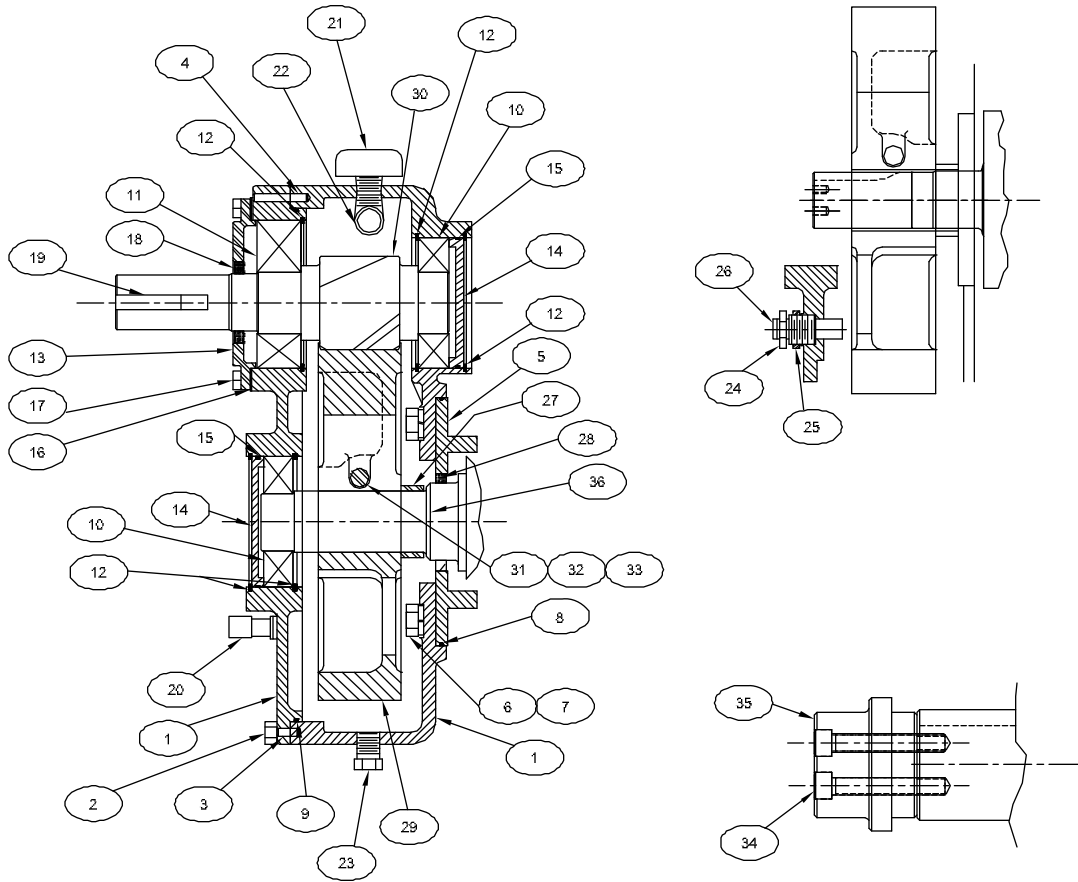


* NOT SHOWN ON PARTS DRAWING
 ** OMIT WHEN LUBRICATOR IS USED

NOV NATIONAL OILWELL VARCO
 HOUSTON, TEXAS, U.S.A. ENGINEERING, TULSA, OKLAHOMA

TITLE:
**ASSEMBLY, CRANKSHAFT
 POWER END
 59T-3 (T365)**

DWG No.:	117801	SCALE:	NONE	REV	A	SHT.:	1 OF 1
----------	--------	--------	------	-----	---	-------	--------



1	ABC-017602-348	CRANKSHAFT FOR GEAR REDUCER (**)	36
1	001-017603-236	ADAPTER, OUTBOARD BEARING	35
4	105-038212-273	SOCKET CAP SCREW, 3/8	34
1	154-034127-220	LOCK WASHER, 3/4	33
1	133-034010-243	NUT, 3/4	32
1	100-034400-290	CAP SCREW, 3/4	31
1	SEE CHART	PINION GEAR	30
1	SEE CHART	BULL GEAR	29
1	145-212356-999	OIL SEAL	28
1	001-014109-236	SPACER, BULL GEAR	27
1	170-012002-220	PIPE PLUG, 1/2	26
1	001-012117-999	THREAD SEAL	25
1	001-012104-305	OIL SCOOP	24
1	170-034005-220	PIPE PLUG, 3/4	23
1	167-034015-353	STREET ELBOW	22
1	001-011039-999	AIR BREATHER	21
1	001-010803-999	OIL LEVEL GAUGE	20
1	146-012300-236	KEY	19
1	145-214338-999	OIL SEAL	18
6	100-012114-290	CAP SCREW	17
1	001-012103-204	GASKET	16
2	110-000248-201	O-RING	15
2	001-012052-350	RETAINER	14
1	002-012038-350	BEARING HOUSING, PINION SHAFT	13
5	177-000500-999	SNAP RING	12
1	255-236051-999	BEARING, SPHERICAL	11
2	121-236051-999	BEARING, CYLINDRICAL	10
1	254-200034-201	O-RING	9
1	110-000273-201	O-RING	8
6	154-058108-220	LOCK WASHER	7
6	100-058214-290	CAP SCREW	6
1	002-014108-350	BEARING HOUSING F/GEAR REDUCER	5
1	147-038200-220	DOWELL PIN	4
1	147-038100-220	DOWELL PIN	3
12	100-012114-290	CAP SCREW	2
1	008-012023-350	GEAR CASE ASSEMBLY (*)	1
REQ'D	Part No.	DESCRIPTION	ITEM

BILL OF MATERIAL

23

GEAR RATIO	NO. TEETH	BULL/MAIN GEAR		PINION GEAR		DRIVE
		PART NO.	NO. TEETH	PART NO.		
5.17:1	124	008-014110-355	24	004-013022-274		LH
4.93:1	123	008-012054-355	25	004-012057-274		LH
4.69:1	122	008-018210-355	26	004-012551-274		LH
4.48:1	121	008-020356-355	27	004-012795-274		LH
4.29:1	120	AAD-118014-355	28	AAC-117965-274		LH
4.11:1	119	008-021457-355	29	004-012813-274		LH
3.94:1	118	SEE ENGINEERING	30	SEE ENGINEERING		LH
3.78:1	117	008-014353-355	31	004-014352-274		LH
3.62:1	116	008-027951-355	32	004-027950-274		LH
3.49:1	115	008-018349-355	33	004-012595-274		LH
3.36:1	114	SEE ENGINEERING	34	SEE ENGINEERING		LH
3.23:1	113	SEE ENGINEERING	35	SEE ENGINEERING		LH
3.12:1	112	SEE ENGINEERING	36	SEE ENGINEERING		LH
3.00:1	111	008-027593-355	37	004-021725-274		LH

BULL GEAR & PINION SHAFT SELECTION CHART

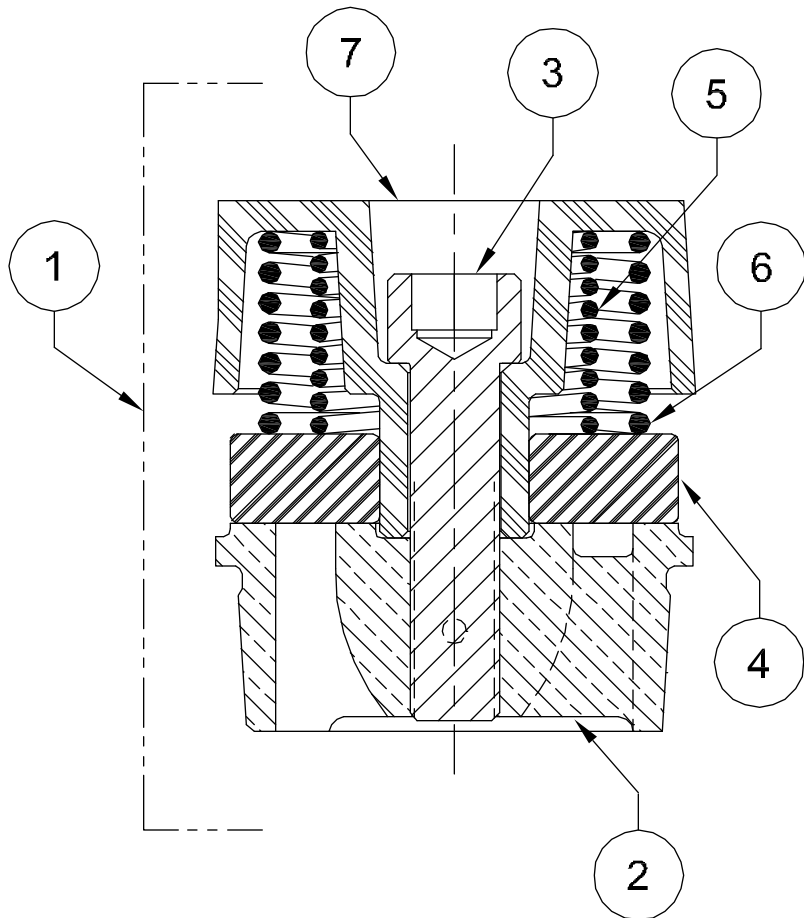
NOTES:
 *1. GEAR CASE ASSY INCLUDES ITEMS 2 THRU 4.
 **3. NOT PART OF GEAR REDUCER ASSEMBLY.

NOV NATIONAL OILWELL VARCO

HOUSTON, TEXAS, U.S.A. ENGINEERING, TULSA, OKLAHOMA

TITLE:
**GEAR REDUCER UNIT
 POWER END
 59T-3 (T365)**

DWG No.: **118040** SCALE: **NONE** REV: **A** SHT.: **1** of **1**



1	SR01S	RETAINER	7
1	IS011	SPRING, OUTER	6
1	IS022	SPRING, INNER	5
1	TP05	DISC (TITANIUM)	4
1	38178M	FASTENER	3
1	0010809	SEAT	2
		(TITANIUM)	
1	001TP0809	ASSEMBLY, TI/CF8M DISC VALVE	1
REQ'D	Part No.	DESCRIPTION	ITEM
1	SR01S	RETAINER	7
1	IS011	SPRING, OUTER	6
1	IS022	SPRING, INNER	5
1	DP08	DISC (DELRIN)	4
1	38178M	FASTENER	3
1	0010809	SEAT	2
		(DELRIN)	
1	001DP0809	ASSEMBLY, DEL/CF8M DISC VALVE	1
REQ'D	Part No.	DESCRIPTION	ITEM
BILL OF MATERIAL			

24

NOV NATIONAL OILWELL VARCO

HOUSTON, TEXAS, U.S.A.

ENGINEERING, TULSA, OKLAHOMA

TITLE:

ASSEMBLY, DISC VALVE
59T-3L (T365AL, T365L)

DWG No.:

117806

SCALE:

NONE

REV

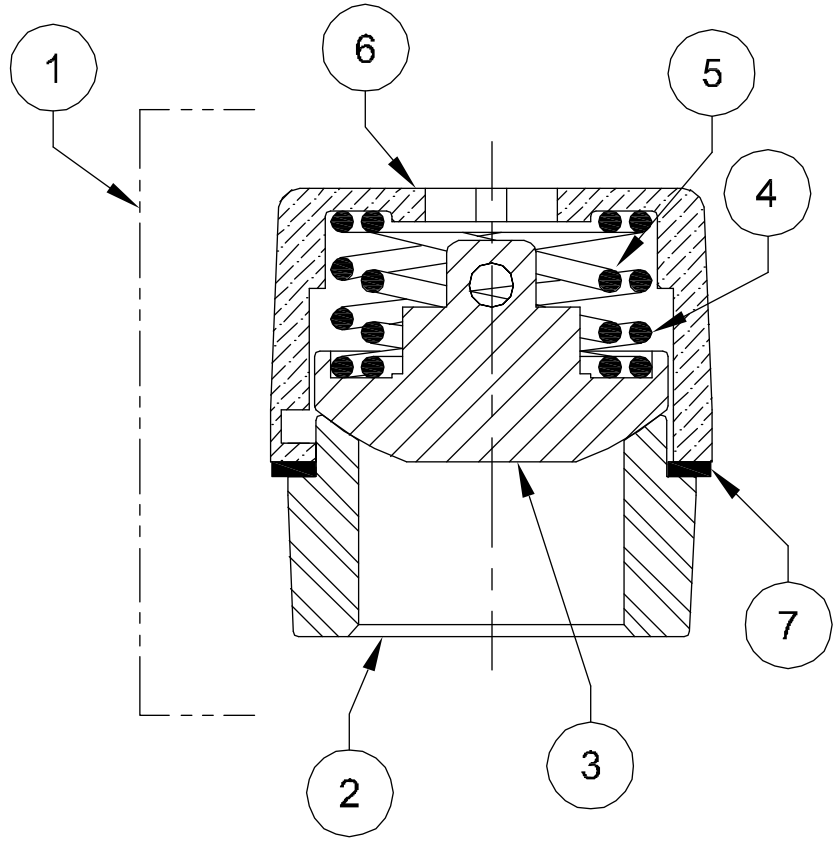
A

SHT.:

1 OF 1

1	9707082	WAVE RING	7
1	17930246WX	RETAINER	6
1	1793026	SPRING - INNER	5
1	1793025	SPRING - OUTER	4
1	179302725	BODY (VALVE) <*>	3
1	179303725	SEAT <*>	2
1	179303625W	ASSEMBLY, SPHERICAL VALVE	1
REQ'D	Part No.	DESCRIPTION	ITEM
BILL OF MATERIAL			

<*> NOT SOLD SEPERATELY



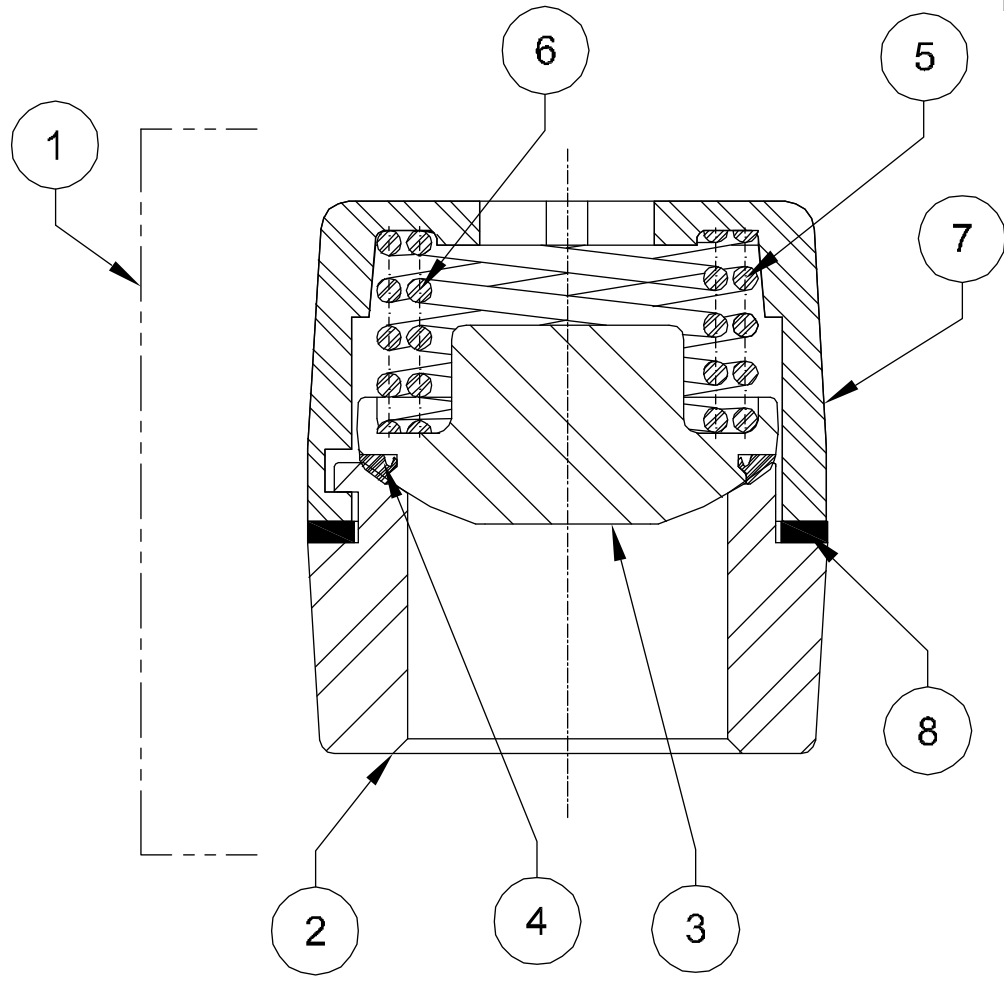
NOV NATIONAL OILWELL VARCO
HOUSTON, TEXAS, U.S.A. ENGINEERING, TULSA, OKLAHOMA

TITLE: ASSEMBLY, SPHERICAL VALVE
59T-3L (T365AL, T365L)

DWG No.: 117807	SCALE: NONE	REV A	SHT.: 1 OF 1
-----------------	-------------	-------	--------------

1	9707082	WAVE RING	8
1	17930246WX	RETAINER	7
1	1793026	SPRING - INNER	6
1	1793025	SPRING - OUTER	5
1	9707086	VALVE INSERT	4
1	179302725SD	BODY (VALVE) <*>	3
1	179303725	SEAT <*>	2
1	179303625SD	ASSEMBLY, SPHERICAL, SEVERE DUTY	1
REQ'D	Part No.	DESCRIPTION	ITEM
BILL OF MATERIAL			

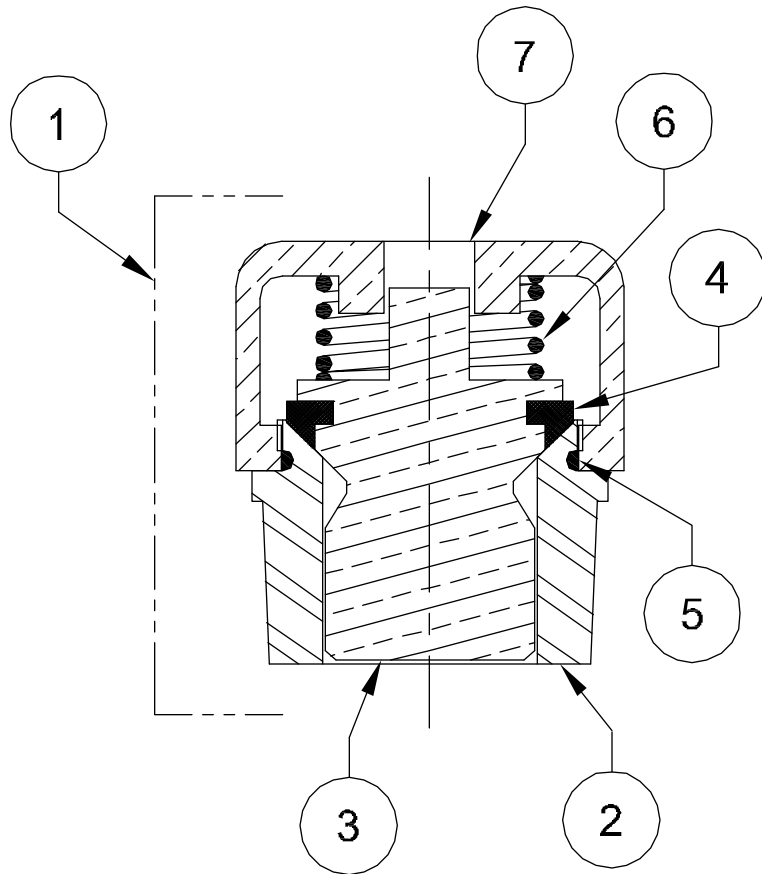
<*> NOT SOLD SEPERATELY



26

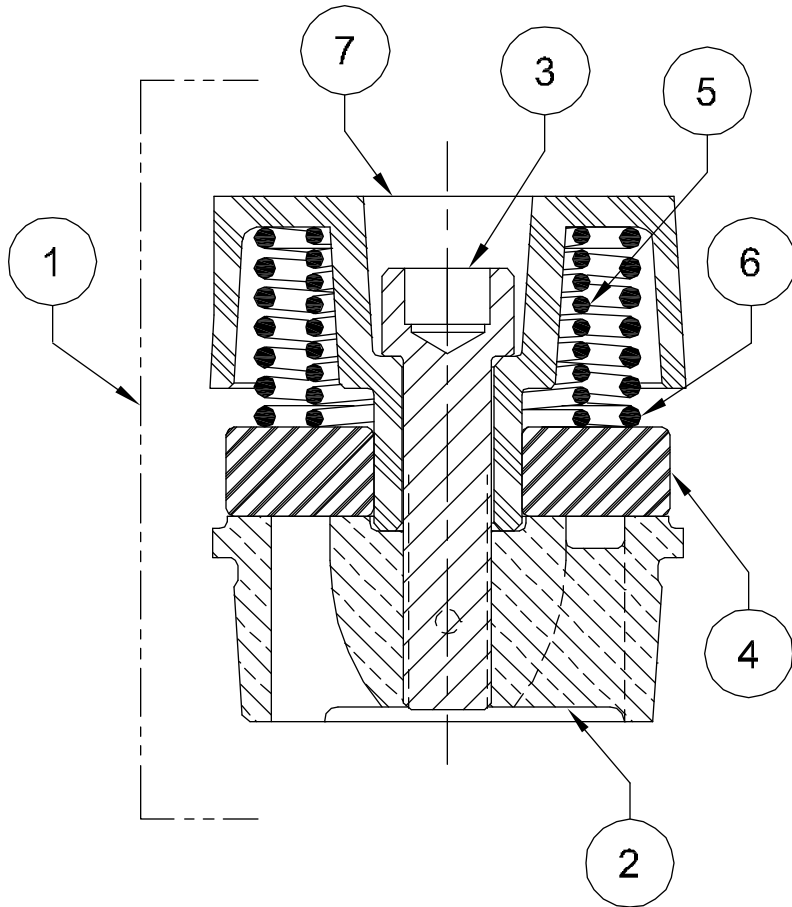
NOV NATIONAL OILWELL VARCO			
HOUSTON, TEXAS, U.S.A.		ENGINEERING, TULSA, OKLAHOMA	
TITLE: ASSEMBLY, SPHERICAL VALVE "SEVERE DUTY" 59T-3L (T365AL, T365L)			
DWG No.:	SCALE:	REV:	SHT.:
118207	NONE	A	1 OF 1

1	SDR08	RETAINER	7
1	IS011	SPRING	6
1	SDL09	THREAD LOCK	5
1	SDI08	INSERT	4
1	SD08	VALVE L/INSERT	3
1	1000809	SEAT	2
1	100SD0809	ASSEMBLY, SEVERE DUTY	1
REQ'D	Part No.	DESCRIPTION	ITEM
BILL OF MATERIAL			



27

NOV NATIONAL OILWELL VARCO			
HOUSTON, TEXAS, U.S.A.		ENGINEERING, TULSA, OKLAHOMA	
TITLE: ASSEMBLY, SEVERE DUTY 59T-3L (T365AL, T365L)			
DWG No.:	SCALE:	REV	SHT.:
117808	NONE	A	1 OF 1



1	SR01S	RETAINER	7
1	IS011	SPRING, OUTER	6
1	IS022	SPRING, INNER	5
1	TP05	DISC (TITANIUM)	4
1	38178M	FASTENER	3
1	0010513	SEAT	2
		(TITANIUM)	
1	001TP0513	ASSEMBLY, TI/CF8M DISC VALVE	1
REQ'D	Part No.	DESCRIPTION	ITEM
1	SR01S	RETAINER	7
1	IS011	SPRING, OUTER	6
1	IS022	SPRING, INNER	5
1	DP05	DISC (DELRIN)	4
1	38178M	FASTENER	3
1	0010513	SEAT	2
		(DELRIN)	
1	001DP0513	ASSEMBLY, DEL/CF8M DISC VALVE	1
REQ'D	Part No.	DESCRIPTION	ITEM
BILL OF MATERIAL			

NOV NATIONAL OILWELL VARCO
 HOUSTON, TEXAS, U.S.A. ENGINEERING, TULSA, OKLAHOMA

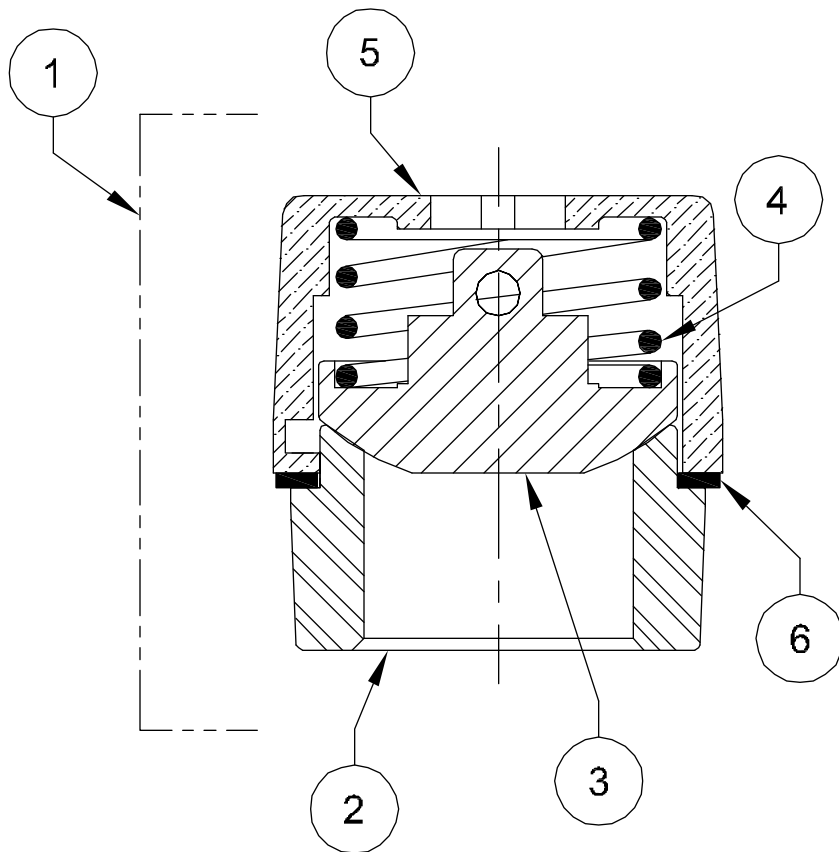
TITLE: ASSEMBLY, DISC VALVE
 59T-3M (T365AM, T365M)

DWG No.: 118031 SCALE: NONE REV A SHT.: 1 OF 1

1	9707072	WAVE RING	6
1	17910036W	RETAINER	5
1	1792525	SPRING	4
1	179100225	BODY (VALVE) <*>	3
1	179100125	SEAT <*>	2
1	179100025W	ASSEMBLY, SPHERICAL VALVE	1
REQ'D	Part No.	DESCRIPTION	ITEM

BILL OF MATERIAL

<*> NOT SOLD SEPERATELY



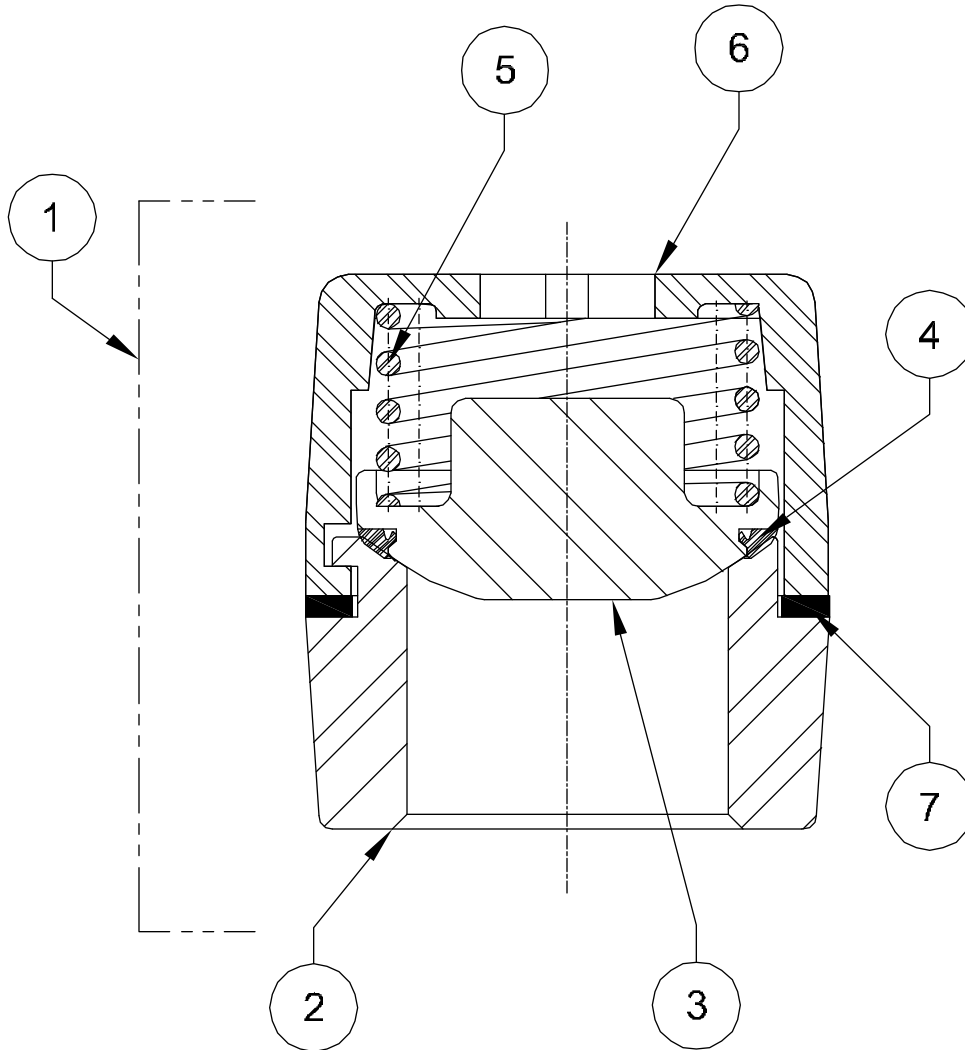
NOV NATIONAL OILWELL VARCO
HOUSTON, TEXAS, U.S.A. ENGINEERING, TULSA, OKLAHOMA

TITLE:
ASSEMBLY, SPHERICAL VALVE
59T-3M (T365AM ,T365M)

DWG No.: 117960	SCALE: NONE	REV A	SHT.: 1 OF 1
-----------------	-------------	-------	--------------

1	9707072	WAVE RING	7
1	17910036W	RETAINER	6
1	1792525	SPRING	5
1	9707071	VALVE INSERT	4
1	179100225SD	BODY (VALVE) <*>	3
1	179100125	SEAT <*>	2
1	179100025SD	ASSEMBLY, SPHERICAL, SEVERE DUTY	1
REQ'D	Part No.	DESCRIPTION	ITEM
BILL OF MATERIAL			

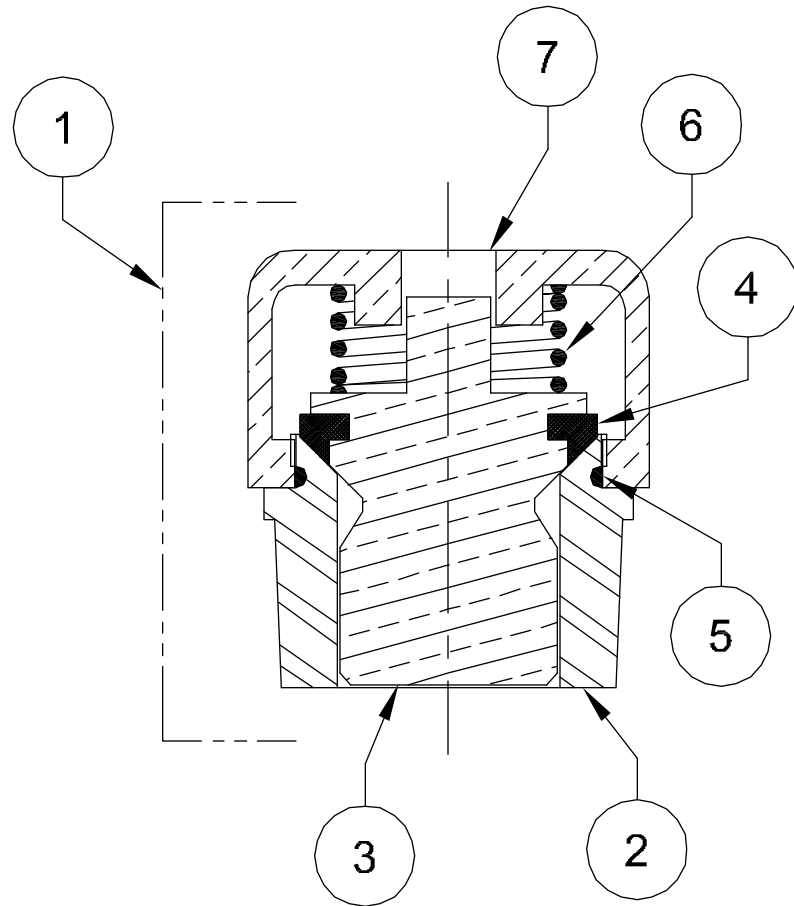
<*> NOT SOLD SEPERATELY



30

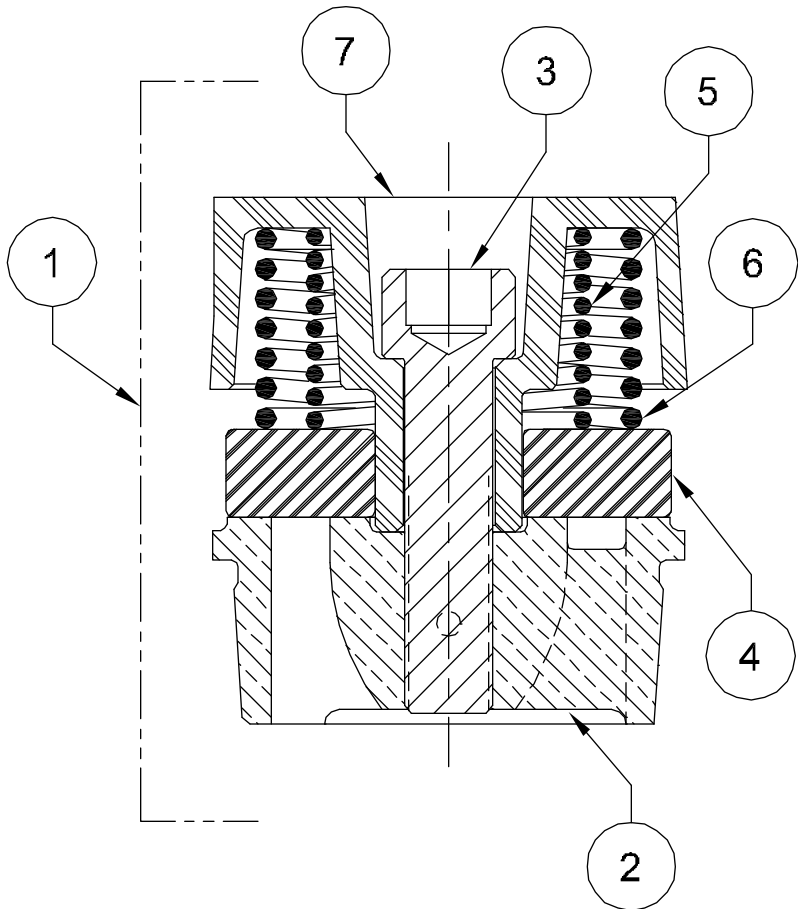
NOV NATIONAL OILWELL VARCO	
HOUSTON, TEXAS, U.S.A.	ENGINEERING, TULSA, OKLAHOMA
TITLE: ASSEMBLY, SPHERICAL VALVE "SEVERE DUTY" 59T-3M (T365AM, T365M)	
DWG No.: 118208	SCALE: NONE
REV A	SHT.: 1 OF 1

1	SDR05	RETAINER	7
1	SD051	SPRING	6
1	SDL05	THREAD LOCK	5
1	SDI05	INSERT	4
1	SD051	VALVE L/INSERT	3
1	1000513	SEAT	2
1	100SD0513	ASSEMBLY, SEVERE DUTY	1
REQ'D	Part No.	DESCRIPTION	ITEM
BILL OF MATERIAL			



31

NOV NATIONAL OILWELL VARCO			
HOUSTON, TEXAS, U.S.A.		ENGINEERING, TULSA, OKLAHOMA	
TITLE: ASSEMBLY, SEVERE DUTY 59T-3M (T365AM, T365M)			
DWG No.:	118030	SCALE:	NONE
REV	A	SHT.:	1 OF 1



1	SR01S	RETAINER	7
1	IS011	SPRING, OUTER	6
1	IS022	SPRING, INNER	5
1	TP03	DISC (TITANIUM)	4
1	38178M	FASTENER	3
1	0010304	SEAT	2
		(TITANIUM)	
1	001TP0304	ASSEMBLY, TI/CF8M DISC VALVE	1
REQ'D	Part No.	DESCRIPTION	ITEM
1	SR01S	RETAINER	7
1	IS011	SPRING, OUTER	6
1	IS022	SPRING, INNER	5
1	DP03	DISC (DELRIN)	4
1	38178M	FASTENER	3
1	0010304	SEAT	2
		(DELRIN)	
1	001DP0304	ASSEMBLY, DEL/CF8M DISC VALVE	1
REQ'D	Part No.	DESCRIPTION	ITEM

BILL OF MATERIAL

32



HOUSTON, TEXAS, U.S.A.

ENGINEERING, TULSA, OKLAHOMA

TITLE:

ASSEMBLY, DISC VALVE
1-1/8" THRU 1-3/8" PLUNGERS
59T-3MSC (T385-2)

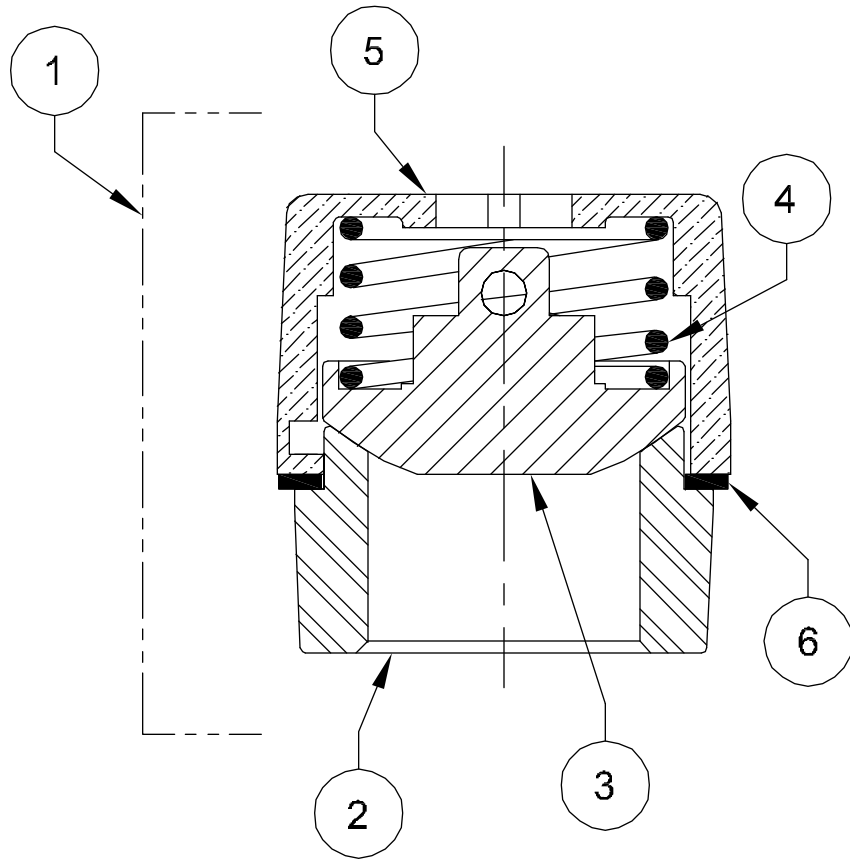
DWG No.: 118034

SCALE: NONE

REV A

SHT.: 1 OF 1

1	9707074	WAVE RING	6
1	17915036W	RETAINER	5
1	1791504	SPRING	4
1	179150225	BODY (VALVE)	3
1	179150125	SEAT	2
1	179150025W	ASSEMBLY, SPHERICAL VALVE	1
REQ'D	Part No.	DESCRIPTION	ITEM
BILL OF MATERIAL			

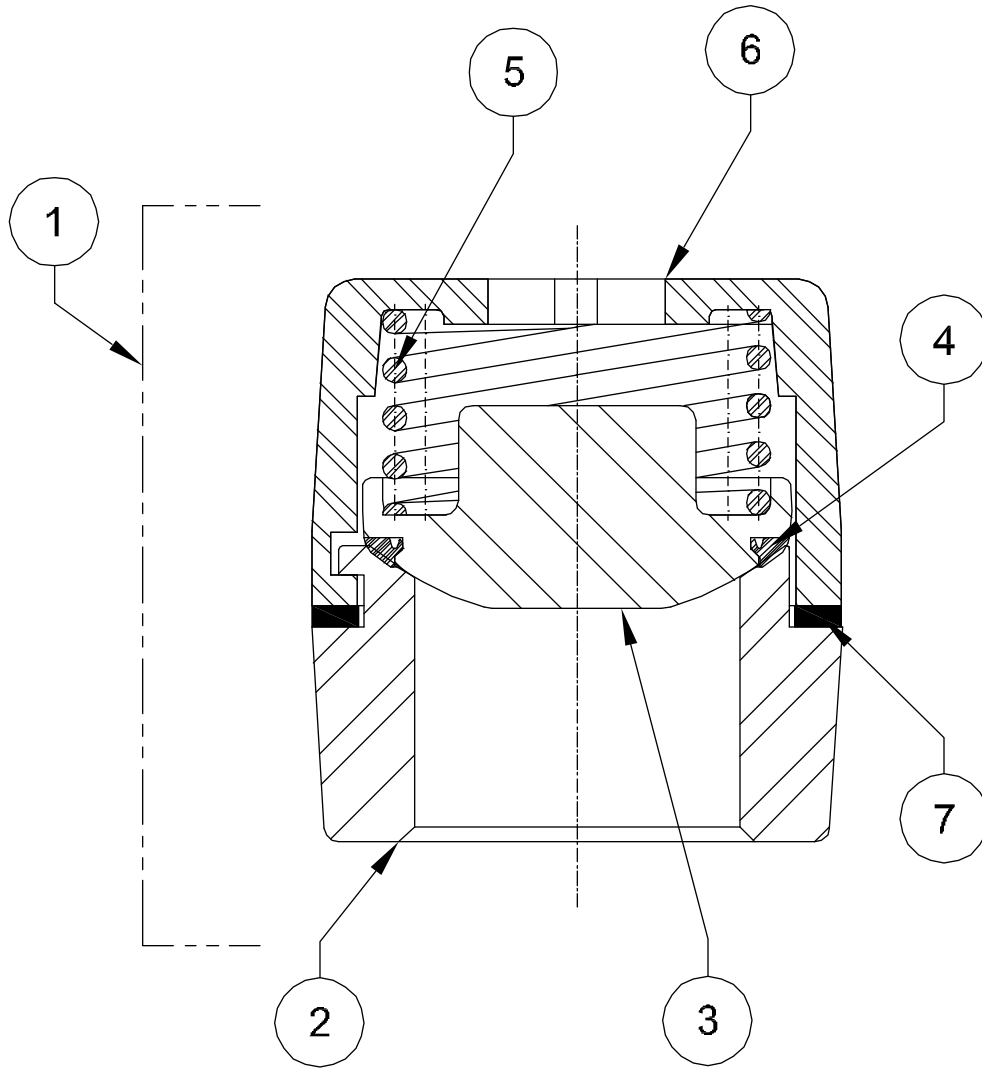


33

NOV NATIONAL OILWELL VARCO			
HOUSTON, TEXAS, U.S.A.		ENGINEERING, TULSA, OKLAHOMA	
TITLE: ASSEMBLY, SPHERICAL VALVE 1-1/8" THRU 1-3/8" PLUNGER 59T-3MSC (T385-2)			
DWG No.:	SCALE:	REV	SHT.:
118032	NONE	A	1 OF 1

1	9707074	WAVE RING	7
1	17915036W	RETAINER	6
1	1791504	SPRING	5
1	9707073	VALVE INSERT	4
1	179150225SD	BODY (VALVE) <*>	3
1	179150125	SEAT <*>	2
1	179150025SD	ASSEMBLY, SPHERICAL, SEVERE DUTY	1
REQ'D	Part No.	DESCRIPTION	ITEM
BILL OF MATERIAL			

<*> NOT SOLD SEPERATELY

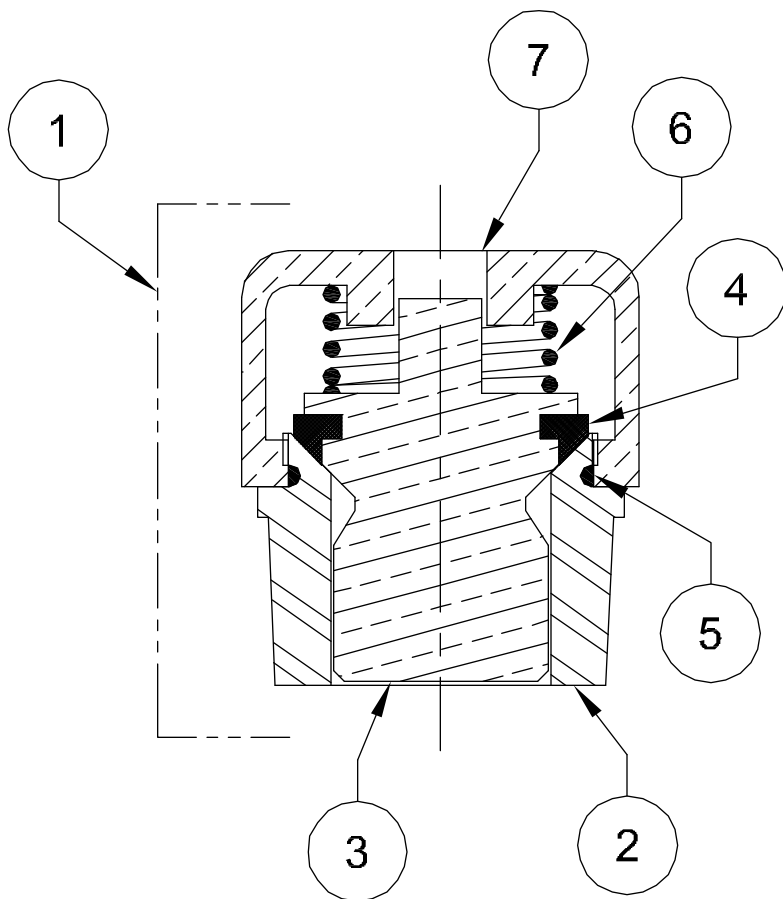


34

NOV NATIONAL OILWELL VARCO			
HOUSTON, TEXAS, U.S.A.		ENGINEERING, TULSA, OKLAHOMA	
TITLE: ASSEMBLY, SPHERICAL VALVE "SEVERE DUTY" 59T-3MSC (T385-2)			
DWG No.:	SCALE:	REV	SHT.:
118209	NONE	A	1 OF 1

1	SDR03	RETAINER	7
1	SDS031	SPRING	6
1	SDL03	THREAD LOCK	5
1	SDI03	INSERT	4
1	SD03	VALVE L/INSERT	3
1	1000304	SEAT	2
1	100SD0304	ASSEMBLY, SEVERE DUTY	1
REQ'D	Part No.	DESCRIPTION	ITEM

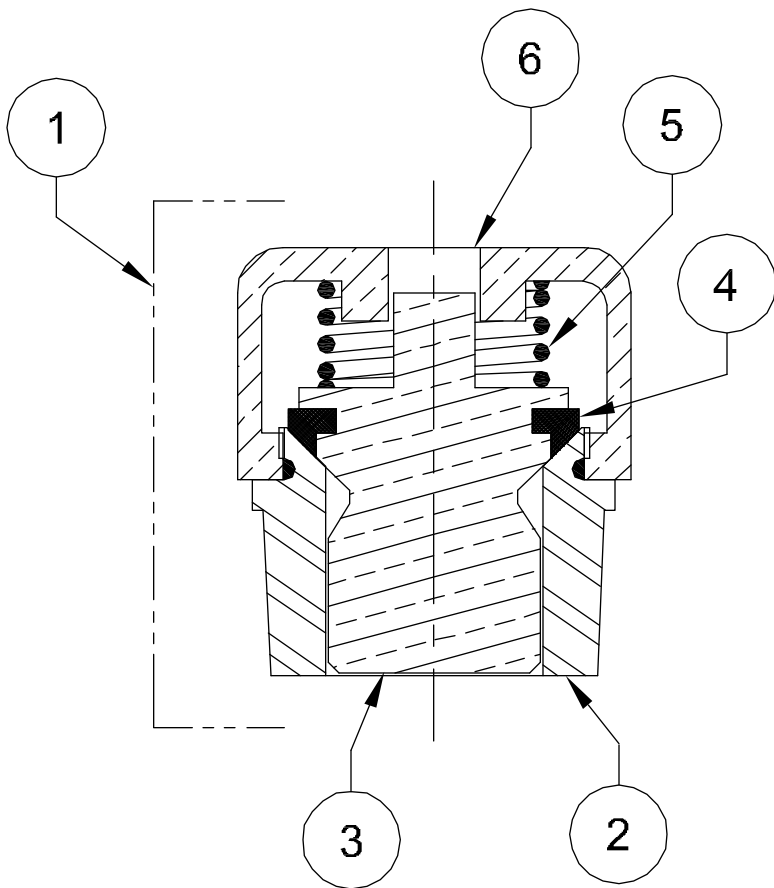
BILL OF MATERIAL



35

NOV NATIONAL OILWELL VARCO			
HOUSTON, TEXAS, U.S.A.		ENGINEERING, TULSA, OKLAHOMA	
TITLE: ASSEMBLY, SEVERE DUTY 1-1/8" THRU 1-3/8" PLUNGERS 59T-3MSC (T385-2)			
DWG No.:	118033	SCALE:	NONE
REV	A	SHT.:	1 OF 1

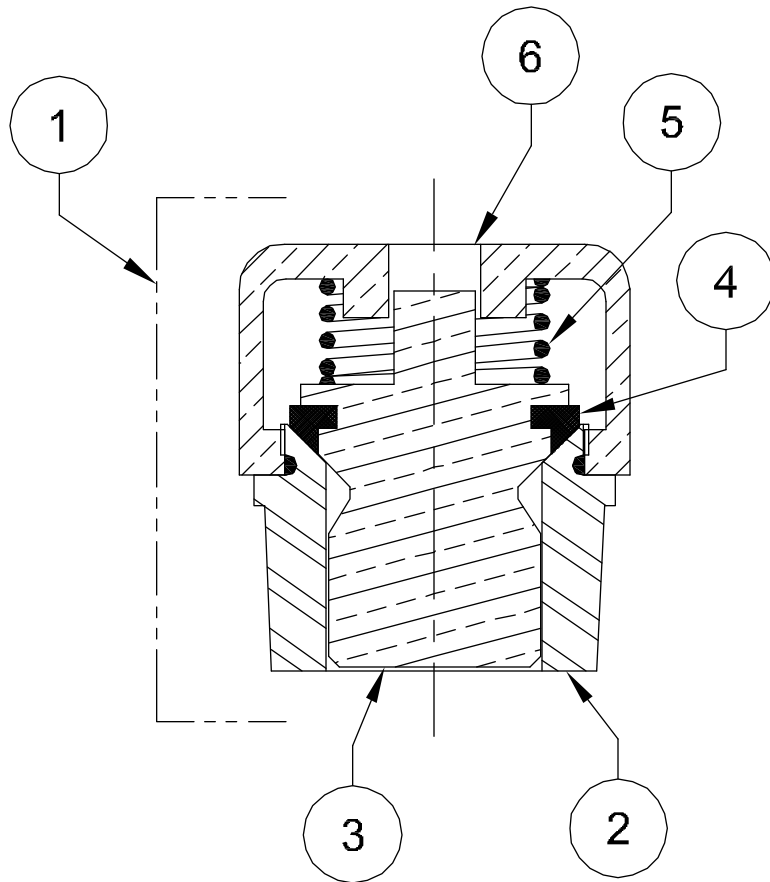
1	001-021273-402	RETAINER	6
1	001-006389-362	SPRING	5
1	110-000214-503	INSERT	4
1	002-021274-402	VALVE L/INSERT	3
1	001-011744-402	SEAT	2
1	998-016313-027	ASSEMBLY, SEVERE DUTY	1
REQ'D		DESCRIPTION	ITEM
BILL OF MATERIAL			



36

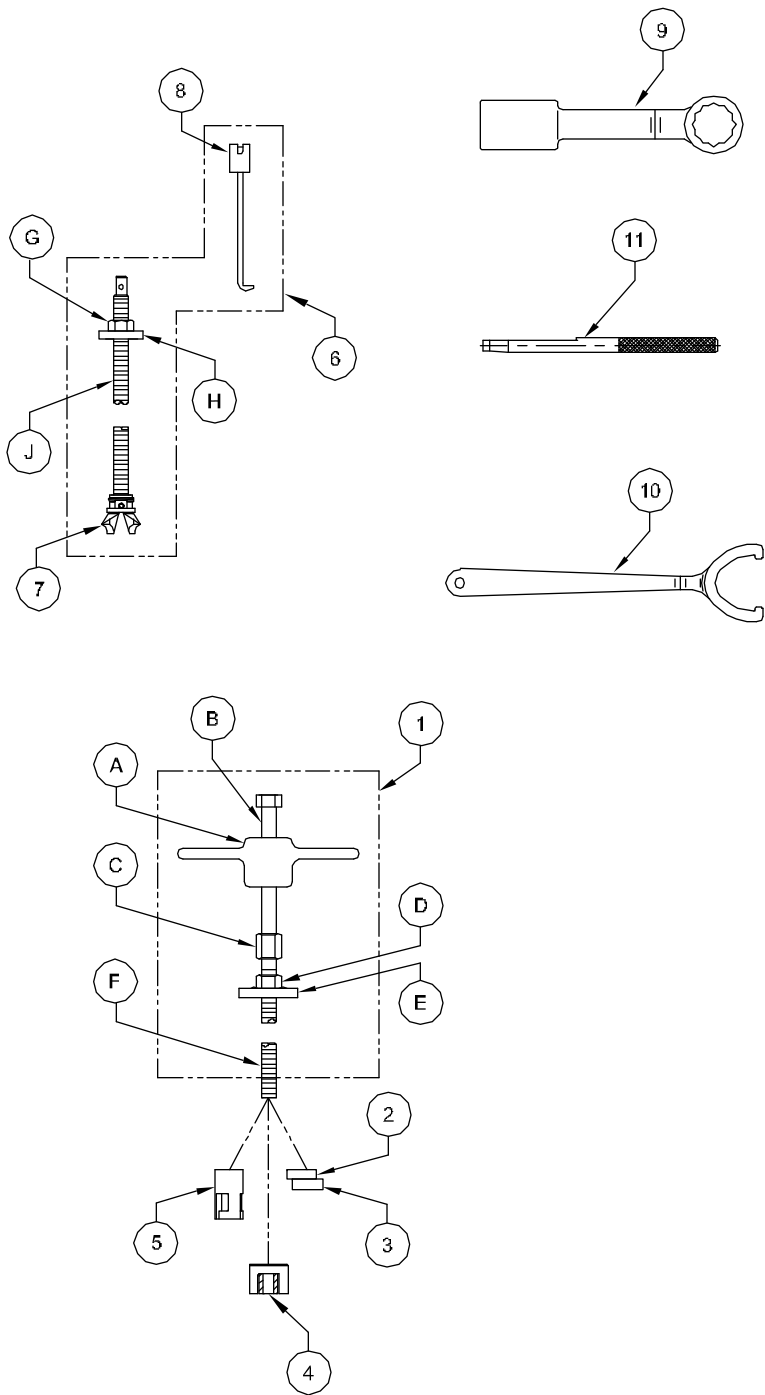
NOV NATIONAL OILWELL VARCO			
HOUSTON, TEXAS, U.S.A.		ENGINEERING, TULSA, OKLAHOMA	
TITLE: ASSEMBLY, SEVERE DUTY SUCTION VALVE 59T-3H (T365H)			
DWG No.:	SCALE:	REV	SHT.:
118035	NONE	A	1 OF 1

1	001-021273-402	RETAINER	6
1	001-006389-362	SPRING	5
1	110-000214-503	INSERT	4
1	002-021274-402	VALVE L/INSERT	3
1	001-011747-402	SEAT	2
1	998-016313-028	ASSEMBLY, SEVERE DUTY	1
REQ'D		DESCRIPTION	ITEM
BILL OF MATERIAL			



37

NOV NATIONAL OILWELL VARCO			
HOUSTON, TEXAS, U.S.A.		ENGINEERING, TULSA, OKLAHOMA	
TITLE: ASSEMBLY, SEVERE DUTY DISCHARGE VALVE 59T-3H (T365H)			
DWG No.:	SCALE:	REV	SHT.:
118036	NONE	A	1 OF 1



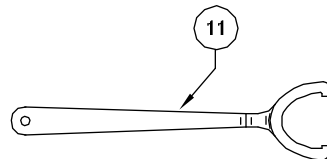
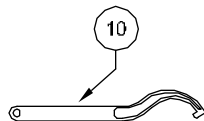
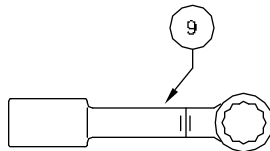
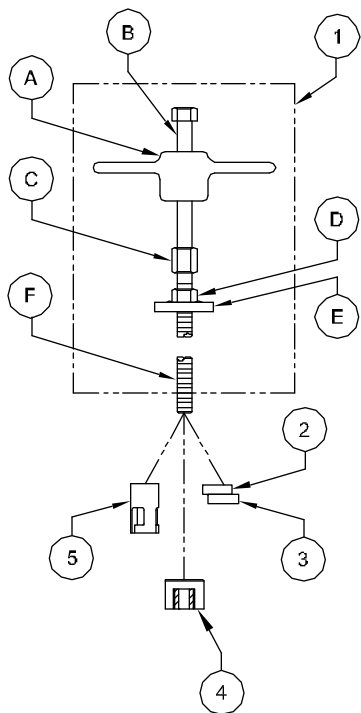
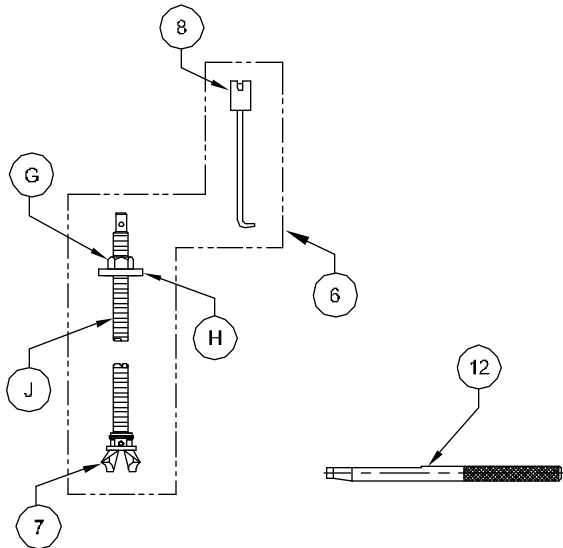
1	ACB-030945-274	WRENCH, GLAND NUT (PIN TYPE)	11
1	002-017850-351	WRENCH, GLAND NUT (DUCTILE IRON)	10
1	001-027585-999	WRENCH, VALVE COVER (HAMMER WRENCH)	9
1	1790034	RETRIEVER	8
1	181259300	PULLER HEAD	7
1	20220159	PULLER STEM	J
1	20220194	STRONG BACK	H
1	75518308	HOLD DOWN NUT	G
1	180104127	ASSEMBLY, VALVE SEAT PULLER - (SPHERICAL)	6
1	AAC-011956-275	PULLER HEAD	5
1	008-028546-005	PULLER STEM	F
1	008-028546-035	STRONG BACK	E
1	008-028546-013	HOLD DOWN NUT	D
1	008-028546-016	ADAPTER NUT	C
1	008-028546-002	BUMPER STEM	B
1	008-028546-001	BUMPER	A
1	998-Q4240L-092	ASSEMBLY, VALVE SEAT PULLER - (DISC VALVE)	1
1	008-028546-044	CAGE TOOL	4
1	008-028546-030	PULLER GUIDE	3
1	008-028546-022	ECCENTRIC, PULLER	2
1	008-028546-005	PULLER STEM	F
1	008-028546-035	STRONG BACK	E
1	008-028546-013	HOLD DOWN NUT	D
1	008-028546-016	ADAPTER NUT	C
1	008-028546-002	BUMPER STEM	B
1	008-028546-001	BUMPER	A
1	998-Q4240L-091	ASSEMBLY, VALVE SEAT PULLER - (SEVERE DUTY)	1
REQ'D	Part No.	DESCRIPTION	ITEM

BILL OF MATERIAL

NOV NATIONAL OILWELL VARCO
 HOUSTON, TEXAS, U.S.A. ENGINEERING, TULSA, OKLAHOMA

TITLE:
**TOOL SERVICE KIT
 "L" CLASS FLUID ENDS
 59T-3L (T365AL, T365L)**

DWG No.: 117819 SCALE: NONE REV A SHT.: 1 OF 1



1	ABB-030945-274	WRENCH, GLAND NUT, PIN TYPE (1-3/4" TO 2-1/2")	12
1	002-027780-351	WRENCH, GLAND NUT (1-1/4" TO 1-5/8")	11
1	002-014098-352	WRENCH, GLAND NUT (BRONZE GLAND NUT)	11
1	002-009388-351	WRENCH, GLAND NUT (DUCTILE IRON GLAND NUT)	10
1	001-027569-999	WRENCH, VALVE COVER (HAMMER WRENCH)	9
1	1790034	RETRIEVER	8
1	181259225	PULLER HEAD	7
1	20220331	PULLER STEM	J
1	20220332	STRONG BACK	H
1	75510312	HOLD DOWN NUT	G
1	181259226	ASSEMBLY, VALVE SEAT PULLER - (SPHERICAL)	6
1	001-019433-274	PULLER HEAD	5
1	008-028546-004	PULLER STEM	F
1	008-028546-035	STRONG BACK	E
1	008-028546-013	HOLD DOWN NUT	D
1	008-028546-016	ADAPTER NUT	C
1	008-028546-002	BUMPER STEM	B
1	008-028546-001	BUMPER	A
1	998-Q3150M-092	ASSEMBLY, VALVE SEAT PULLER - (DISC VALVE)	1
1	008-028546-043	CAGE TOOL	4
1	008-028546-028	PULLER GUIDE	3
1	008-028546-020	ECCENTRIC, PULLER	2
1	008-028546-004	PULLER STEM	F
1	008-028546-035	STRONG BACK	E
1	008-028546-012	HOLD DOWN NUT	D
1	008-028546-015	ADAPTER NUT	C
1	008-028546-002	BUMPER STEM	B
1	008-028546-001	BUMPER	A
1	998-Q3150M-091	ASSEMBLY, VALVE SEAT PULLER - (SEVERE DUTY)	1
REQ'D	Part No.	DESCRIPTION	ITEM

BILL OF MATERIAL

NOV NATIONAL OILWELL VARCO

HOUSTON, TEXAS, U.S.A.

ENGINEERING, TULSA, OKLAHOMA

TITLE:

TOOL SERVICE KIT
'M' CLASS FLUID ENDS
59T-3M & MS (T365AM & MS)

DWG No.:

117820

SCALE:

NONE

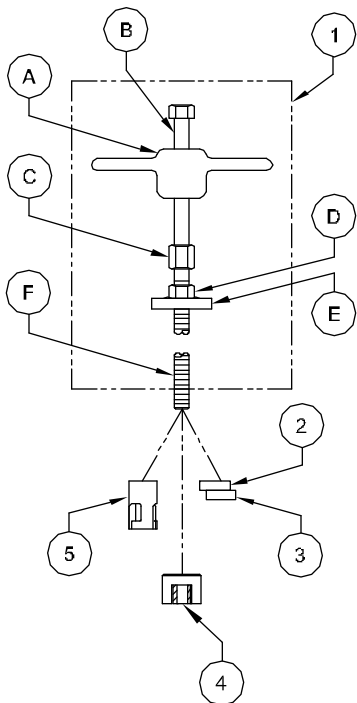
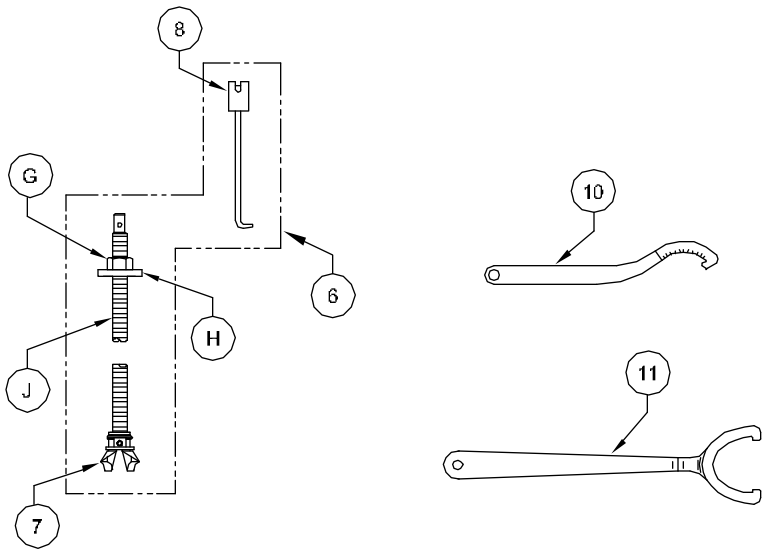
REV

A

SHT.:

1

OF 1



1	002-014098-352	WRENCH, GLAND NUT (BRONZE GLAND NUT)	11
1	002-009388-351	WRENCH, GLAND NUT (DUCTILE IRON GLAND NUT)	10
1	1790034	RETRIEVER	8
1	181259200	PULLER HEAD	7
1	20220329	PULLER STEM	J
1	20220330	STRONG BACK	H
1	75510308	HOLD DOWN NUT	G
1	181259201	ASSEMBLY, VALVE SEAT PULLER - (SPHERICAL)	6
1	001-011954-274	PULLER HEAD	5
1	008-028546-004	PULLER STEM	F
1	008-028546-034	STRONG BACK	E
1	008-028546-012	HOLD DOWN NUT	D
1	008-028546-015	ADAPTER NUT	C
1	008-028546-002	BUMPER STEM	B
1	008-028546-001	BUMPER	A
1	998-016202-092	ASSEMBLY, VALVE SEAT PULLER - (DISC VALVE)	1
1	008-028546-043	CAGE TOOL	4
1	008-028546-026	PULLER GUIDE	3
1	008-028546-018	ECCENTRIC, PULLER	2
1	008-028546-003	PULLER STEM	F
1	008-028546-034	STRONG BACK	E
1	008-028546-011	HOLD DOWN NUT	D
1	008-028546-014	ADAPTER NUT	C
1	008-028546-002	BUMPER STEM	B
1	008-028546-001	BUMPER	A
1	998-016202-091	ASSEMBLY, VALVE SEAT PULLER - (SEVERE DUTY)	1
REQ'D	Part No.	DESCRIPTION	ITEM

BILL OF MATERIAL

40

NOV NATIONAL OILWELL VARCO

HOUSTON, TEXAS, U.S.A.

ENGINEERING, TULSA, OKLAHOMA

TITLE:

TOOL SERVICE KIT
"MS" CLASS FLUID END
59T-3MSC (T385-2)

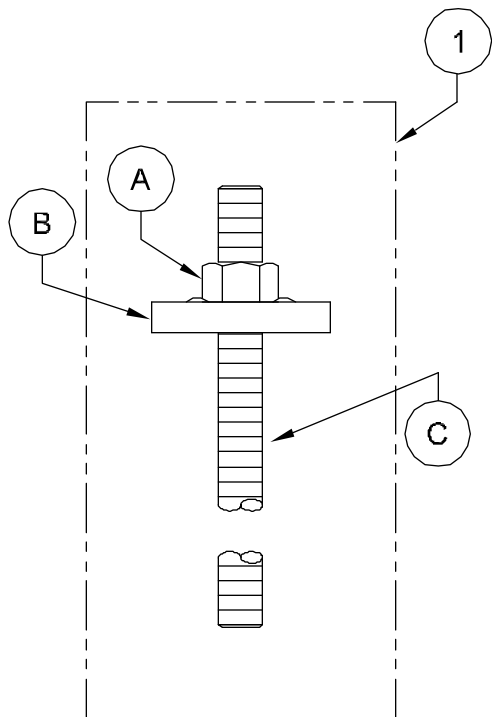
DWG No.: 118029

SCALE: NONE

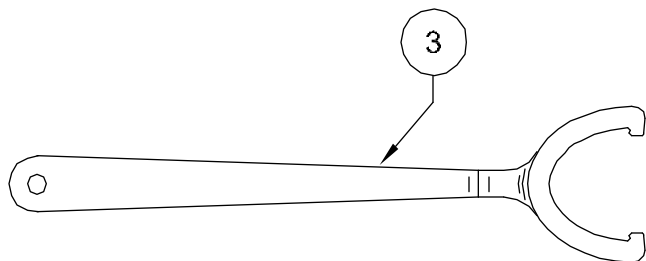
REV A

SHT.: 1 OF 1

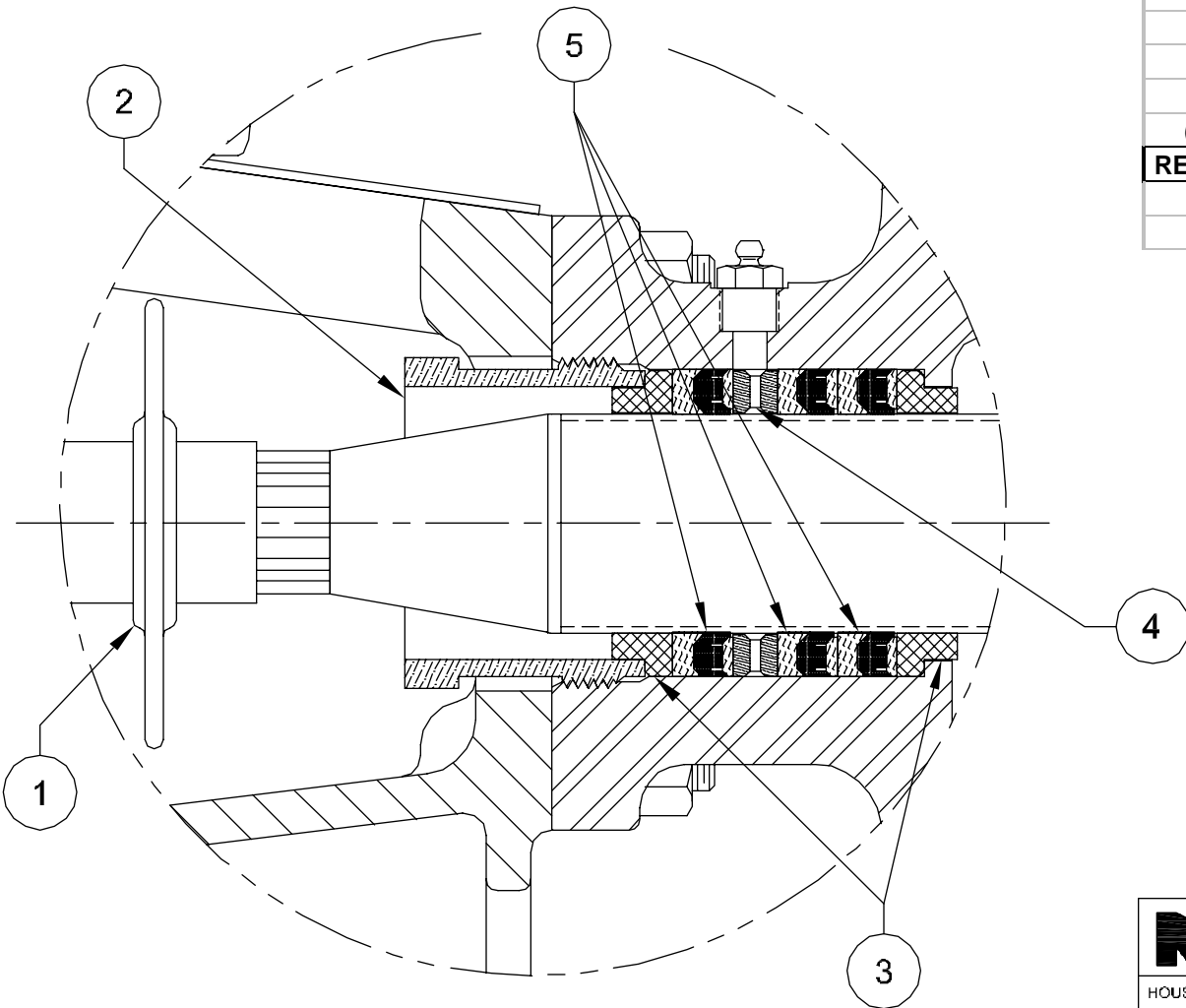
1	002-021268-400	CAGE WRENCH (1-3/4" TO 2-1/2")	4
1	002-027780-351	WRENCH, GLAND NUT (DUCTILE IRON)	3
1	002-014417-400	WRENCH, PLUNGER	2
1	001-022028-271	PULLER STEM	C
1	001-022029-231	STRONG BACK	B
1	133-100008-243	HOLD DOWN NUT	A
1	002-010359-220	ASSEMBLY, VALVE SEAT PULLER	1
REQ'D	Part No.	DESCRIPTION	ITEM
BILL OF MATERIAL			



41



NOV NATIONAL OILWELL VARCO			
HOUSTON, TEXAS, U.S.A.		ENGINEERING, TULSA, OKLAHOMA	
TITLE: TOOL SERVICE KIT "H" CLASS FLUID END 59T-3H (T365H)			
DWG No:	117821	SCALE:	NONE
REV	A	SHT.:	1 OF 1



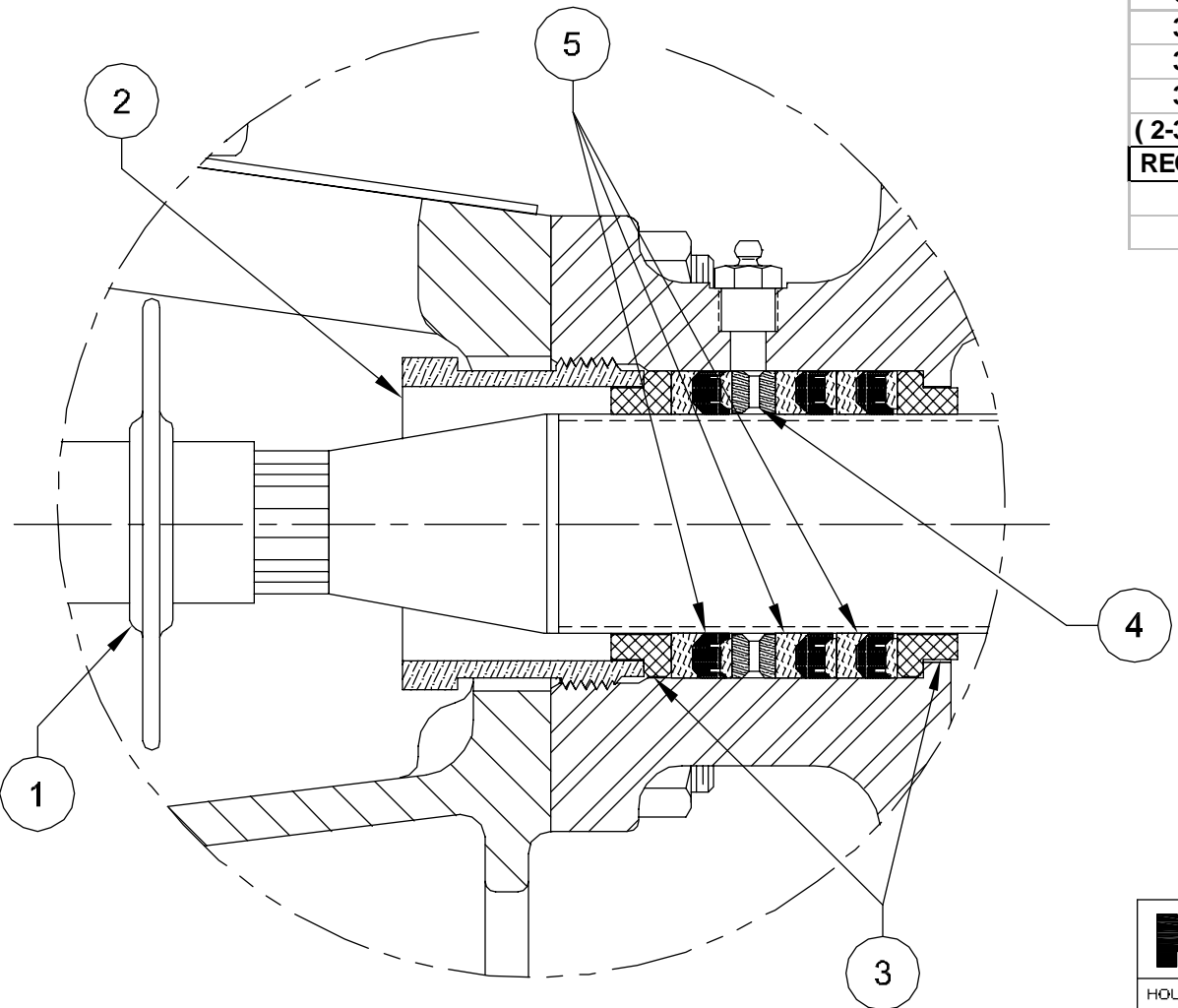
3	214-214206-477		858	
3	214-214206-386		842	
3	214-214206-374		845	
3	214-214206-370	PACKING	838	5
3	001-012843-235		(STL)	
3	001-012843-302	LANTERN RING	(BRZ)	4
6	001-012921-235		(STL)	
6	001-012921-302	THROAT BUSHING	(BRZ)	3
3	001-003497-351		(DI)	
3	001-003497-310	GLAND NUT	(BRZ)	2
3	001-007986-201	BAFFLE DISC		1
(2-1/4" PLUNGER)				
REQ'D	Part No.	DESCRIPTION		ITEM
BILL OF MATERIAL				

42

NOTE

1) FOR ALL " J " - STYLE PACKING SEE DRAWING 117810, SHEETS 1 THRU 6.

NOV NATIONAL OILWELL VARCO			
HOUSTON, TEXAS, U.S.A.		ENGINEERING, TULSA, OKLAHOMA	
TITLE:			
ASSEMBLY, PLUNGER KIT "J" - STYLE PKG, 2-1/4" THRU 3" PLUNGER 59T-3L (T356AL, T365L)			
DWG No.:	SCALE:	REV	SHT.:
117810	NONE	A	1 OF 6



NOTE

1) FOR ALL " J " - STYLE PACKING SEE DRAWING 117810, SHEETS 1 THRU 6.

3	214-238214-477		858	
3	214-238214-386		842	
3	214-238214-374		845	
3	214-238214-370	PACKING	838	5
3	AAB-116317-235		(STL)	
3	AAB-116317-302	LANTERN RING	(BRZ)	4
6	001-029502-235		(STL)	
6	001-029502-302	THROAT BUSHING	(BRZ)	3
3	001-003497-351		(DI)	
3	001-003497-310	GLAND NUT	(BRZ)	2
3	001-007986-201	BAFFLE DISC		1

(2-3/8" PLUNGER)

REQ'D	Part No.	DESCRIPTION	ITEM

BILL OF MATERIAL

NOV NATIONAL OILWELL VARCO

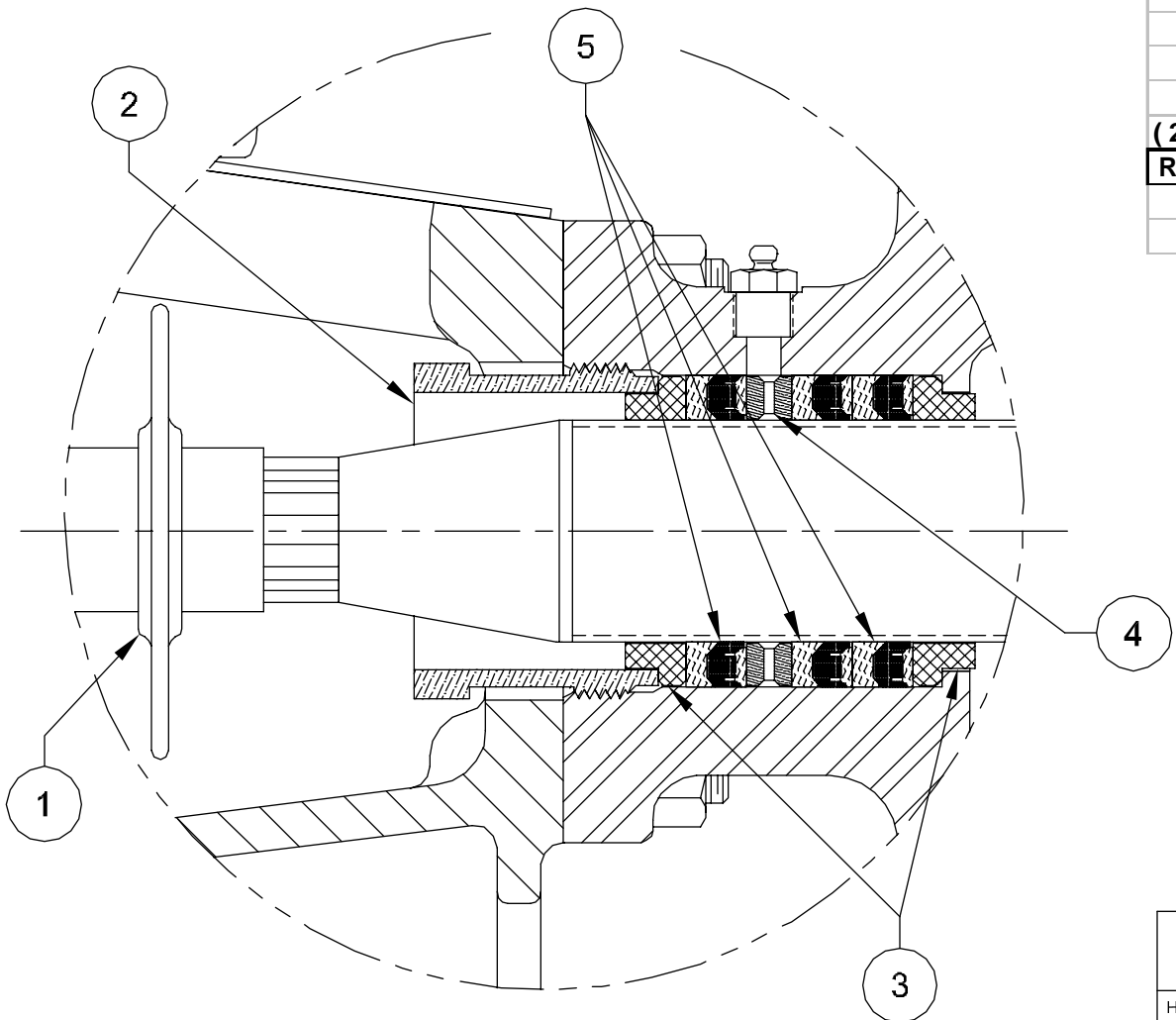
HOUSTON, TEXAS, U.S.A. ENGINEERING, TULSA, OKLAHOMA

TITLE:
ASSEMBLY, PLUNGER KIT
"J" - STYLE PKG, 2-1/4" THRU 3" PLUNGER
59T-3L (T365AL, T365L)

DWG No.: 117810	SCALE: NONE	REV A	SHT.: 2 OF 6
-----------------	-------------	-------	--------------

3	214-212206-477		858	
3	214-212206-386		842	
3	214-212206-374		845	
3	214-212206-370	PACKING	838	5
3	001-012844-235		(STL)	
3	001-012844-302	LANTERN RING	(BRZ)	4
6	001-007783-235		(STL)	
6	001-007783-302	THROAT BUSHING	(BRZ)	3
3	001-003497-351		(DI)	
3	001-003497-310	GLAND NUT	(BRZ)	2
3	001-007986-201	BAFFLE DISC		1

(2-1/2" PLUNGER)				
REQ'D	Part No.	DESCRIPTION		ITEM
BILL OF MATERIAL				



44

NOTE

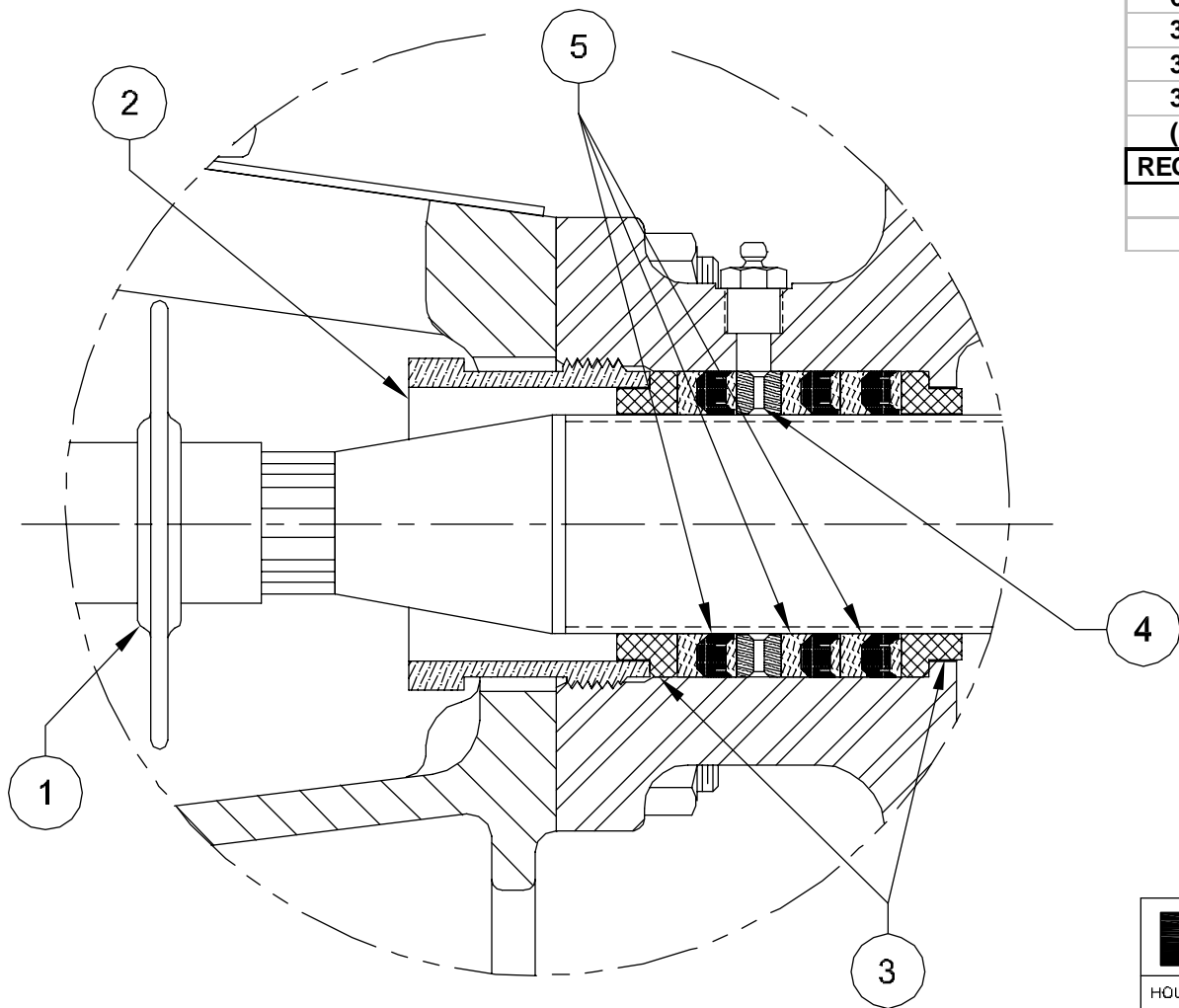
1) FOR ALL " J " - STYLE PACKING SEE DRAWING 117810, SHEETS 1 THRU 6.



HOUSTON, TEXAS, U.S.A. ENGINEERING. TULSA, OKLAHOMA

TITLE: ASSEMBLY, PLUNGER KIT
"J" STYLE PKG, 2-1/4" THRU 3" PLUNGER
59T-3L (T365AL, T365L)

DWG No.: 117810	SCALE: NONE	REV A	SHT.: 3 OF 6
-----------------	-------------	-------	--------------



3	214-258206-477		858	
3	214-258206-386		842	
3	214-258206-374		845	
3	214-258206-370	PACKING	838	5
3	ADB-116317-235		(STL)	
3	ADB-116317-302	LANTERN RING	(BRZ)	4
6	HTC-103259-235		(STL)	
6	HTC-103259-302	THROAT BUSHING	(BRZ)	3
3	001-003497-351		(DI)	
3	001-003497-310	GLAND NUT	(BRZ)	2
3	001-007986-201	BAFFLE DISC		1
(2-5/8" PLUNGER)				

REQ'D	Part No.	DESCRIPTION	ITEM
BILL OF MATERIAL			

45

NOTE

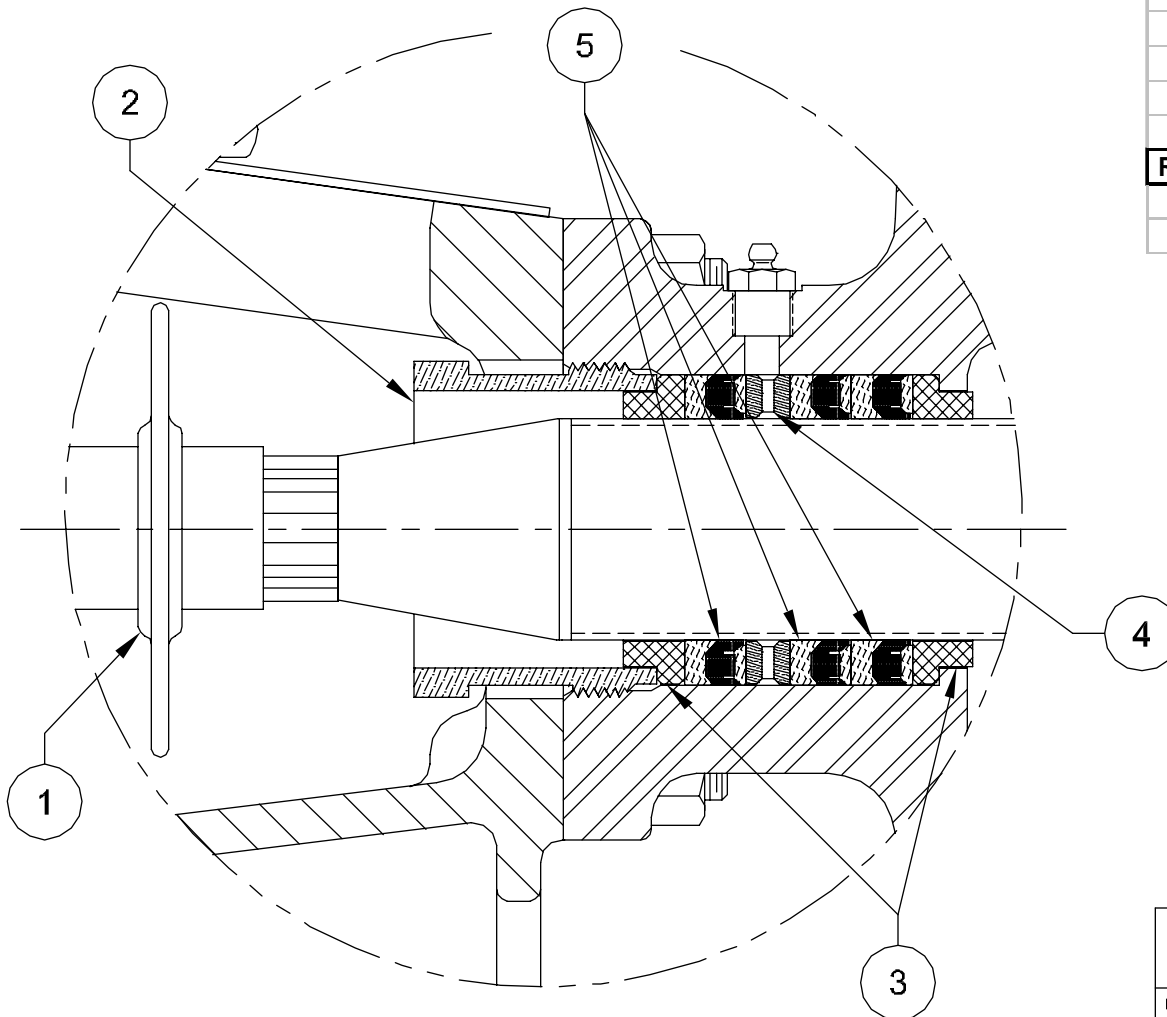
1) FOR ALL " J " - STYLE PACKING SEE DRAWING 117810, SHEETS 1 THRU 6.

NOV NATIONAL OILWELL VARCO
 HOUSTON, TEXAS, U.S.A. ENGINEERING, TULSA, OKLAHOMA

TITLE:
 ASSEMBLY, PLUNGER KIT
 "J" STYLE PKG, 2-1/4" THRU 3" PLUNGER
 59T-3L (T365AL, T365L)

DWG No.:	SCALE:	REV	SHT.:
117810	NONE	A	4 OF 6

3	214-234214-477		858	
3	214-234214-386		842	
3	214-234214-374		845	
3	214-234214-370	PACKING	838	5
3	001-011062-235		(STL)	
3	001-011062-302	LANTERN RING	(BRZ)	4
6	001-011061-235		(STL)	
6	001-011061-302	THROAT BUSHING	(BRZ)	3
3	001-003497-351		(DI)	
3	001-003497-310	GLAND NUT	(BRZ)	2
3	001-007986-201	BAFFLE DISC		1
(2-3/4" PLUNGER)				
REQ'D	Part No.	DESCRIPTION		ITEM
BILL OF MATERIAL				

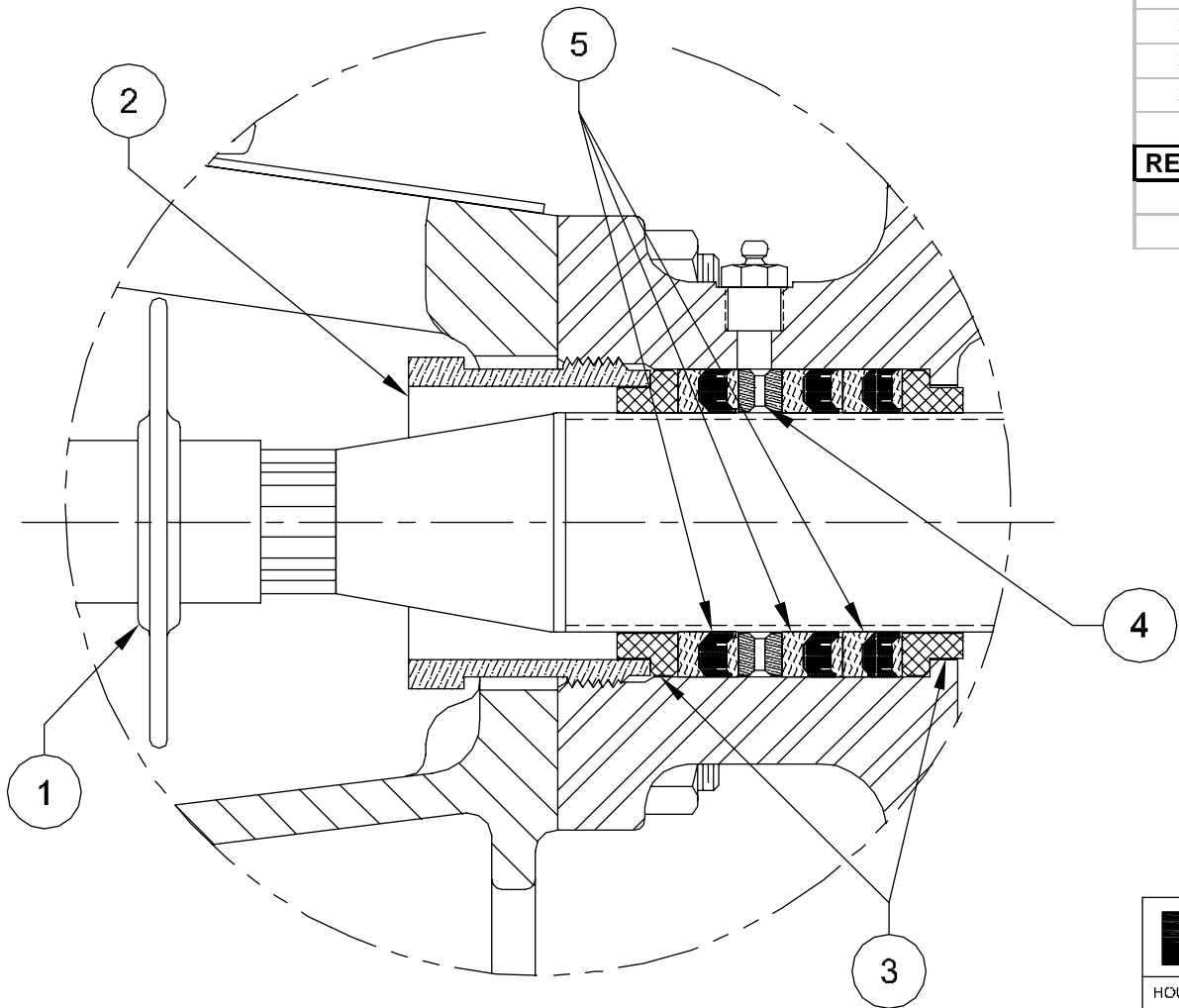


NOTE

- 1) FOR ALL " J " - STYLE PACKING SEE DRAWING 117810, SHEETS 1 THRU 6.

46

NOV NATIONAL OILWELL VARCO			
HOUSTON, TEXAS, U.S.A.		ENGINEERING, TULSA, OKLAHOMA	
TITLE:			
ASSEMBLY, PLUNGER KIT "J" STYLE PKG, 2-1/4" THRU 3" PLUNGER 59T-3L (T365AL, T365L)			
DWG No.:	SCALE:	REV	SHT.:
117810	NONE	A	5 OF 6



NOTE

1) FOR ALL " J " - STYLE PACKING SEE DRAWING 117810, SHEETS 1 THRU 6.

3	214-300214-477		858	
3	214-300214-286		842	
3	214-300214-374		845	
3	214-300214-370	PACKING	838	5
3	001-004947-235		(STL)	
3	001-004947-302	LANTERN RING	(BRZ)	4
6	001-003819-235		(STL)	
6	001-003819-302	THROAT BUSHING	(BRZ)	3
3	001-003497-351		(DI)	
3	001-003497-310	GLAND NUT	(BRZ)	2
3	001-007986-201	BAFFLE DISC		1
(3" PLUNGER)				
REQ'D	Part No.	DESCRIPTION		ITEM
BILL OF MATERIAL				

47



HOUSTON, TEXAS, U.S.A. ENGINEERING, TULSA, OKLAHOMA

TITLE:
 ASSEMBLY, PLUNGER KIT
 "J" STYLE PKG, 2-1/4" THRU 3" PLUNGER
 59T-3L (T365AL, T365L)

DWG No: 117810 SCALE: NONE REV A SHT: 6 OF 6

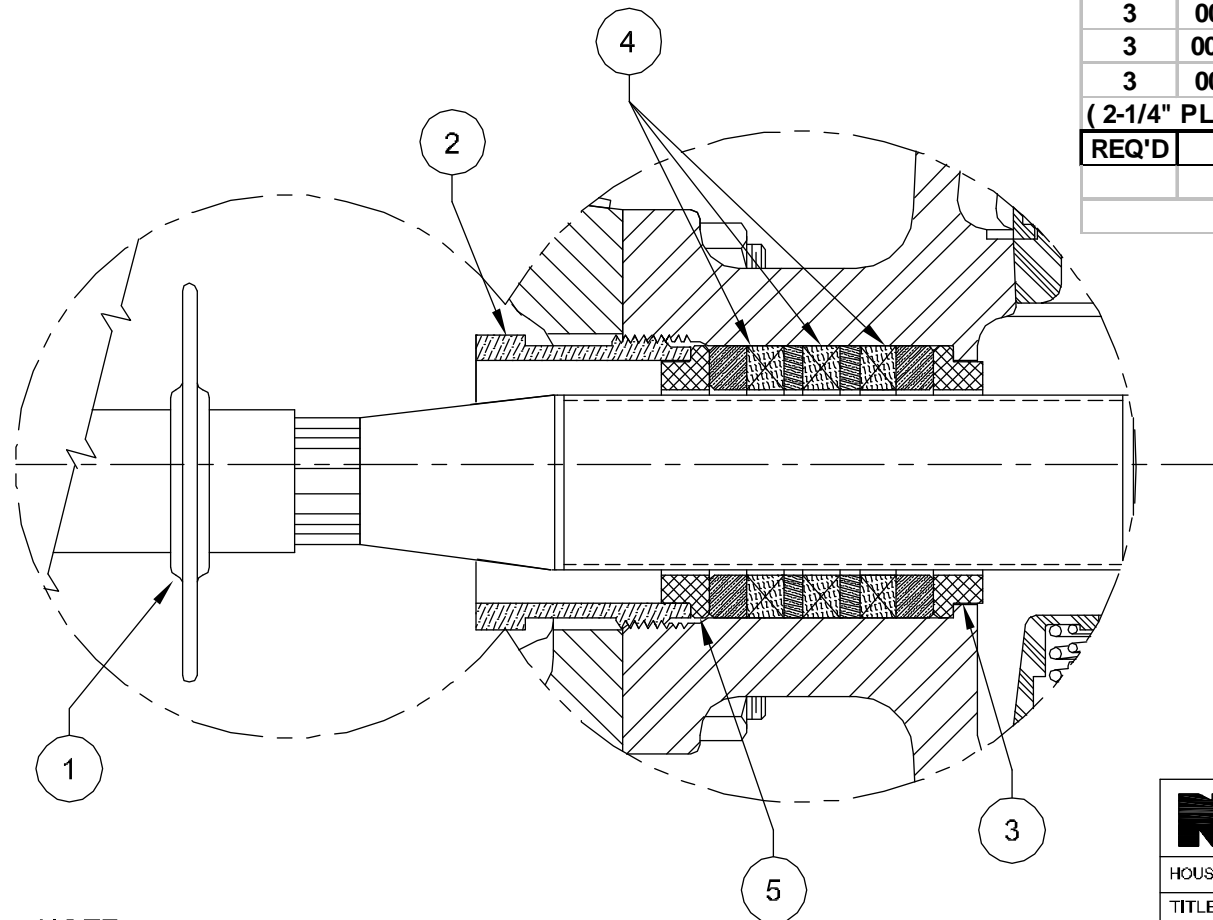
3	001-024049-278		(SS)	
3	001-024049-235		(STL)	
3	001-024049-302	FOLLOWER	(BRZ)	5
3	309-214214-458		8921-K	
3	309-214214-339		249	
3	309-214214-337		241	
3	309-214214-395	PACKING	238	4
3	001-012921-278		(SS)	
3	001-012921-235		(STL)	
3	001-012921-302	THROAT BUSHING	(BRZ)	3
3	AAB-029711-E16	<*>	(XSS)	
3	001-003497-351		(DI)	
3	001-003497-310	GLAND NUT	(BRZ)	2
3	001-007986-201	BAFFLE DISC		1

(2-1/4" PLUNGER)

REQ'D	Part No.	DESCRIPTION		ITEM
-------	----------	-------------	--	------

BILL OF MATERIAL

<*> COATED STAINLESS STEEL



NOTE

1) FOR ALL " BRAID " STYLE PACKING SEE DRAWING 117809, SHEETS 1 THRU 7.

NOV NATIONAL OILWELL VARCO
HOUSTON, TEXAS, U.S.A. ENGINEERING, TULSA, OKLAHOMA

TITLE:
ASSEMBLY, PLUNGER KIT
BRAID STYLE PKG, 2-1/4" THRU 3" PLUNGER
59T-3L (T365AL, T365L)

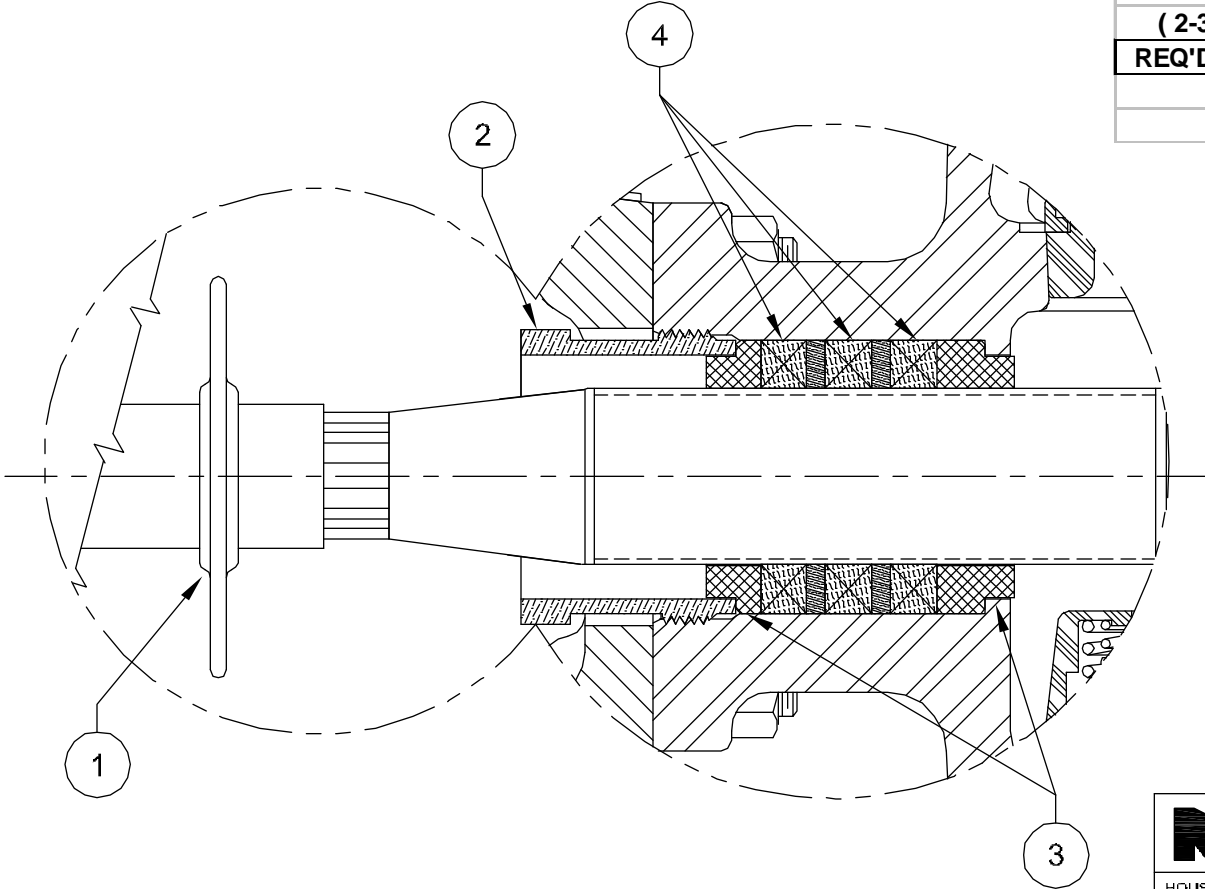
DWG No.:	117809	SCALE:	NONE	REV:	A	SHT.:	1	OF	7
----------	--------	--------	------	------	---	-------	---	----	---

3	309-238288-458		8921-K	
3	309-238288-339		249	
3	309-238288-337		241	
3	309-238288-395	PACKING	238	4
6	001-029502-278		(SS)	
6	001-029502-235		(STL)	
6	001-029502-302	THROAT BUSHING	(BRZ)	3
3	AAB-029711-E16	<*>	(XSS)	
3	001-003497-351		(DI)	
3	001-003497-310	GLAND NUT	(BRZ)	2
3	001-007986-201	BAFFLE DISC		1
(2-3/8" PLUNGER)				

REQ'D	Part No.	DESCRIPTION	ITEM
BILL OF MATERIAL			

<*> COATED STAINLESS STEEL

49



NOTE

1) FOR ALL " BRAID " STYLE PACKING SEE DRAWING 117809, SHEETS 1 THRU 7.

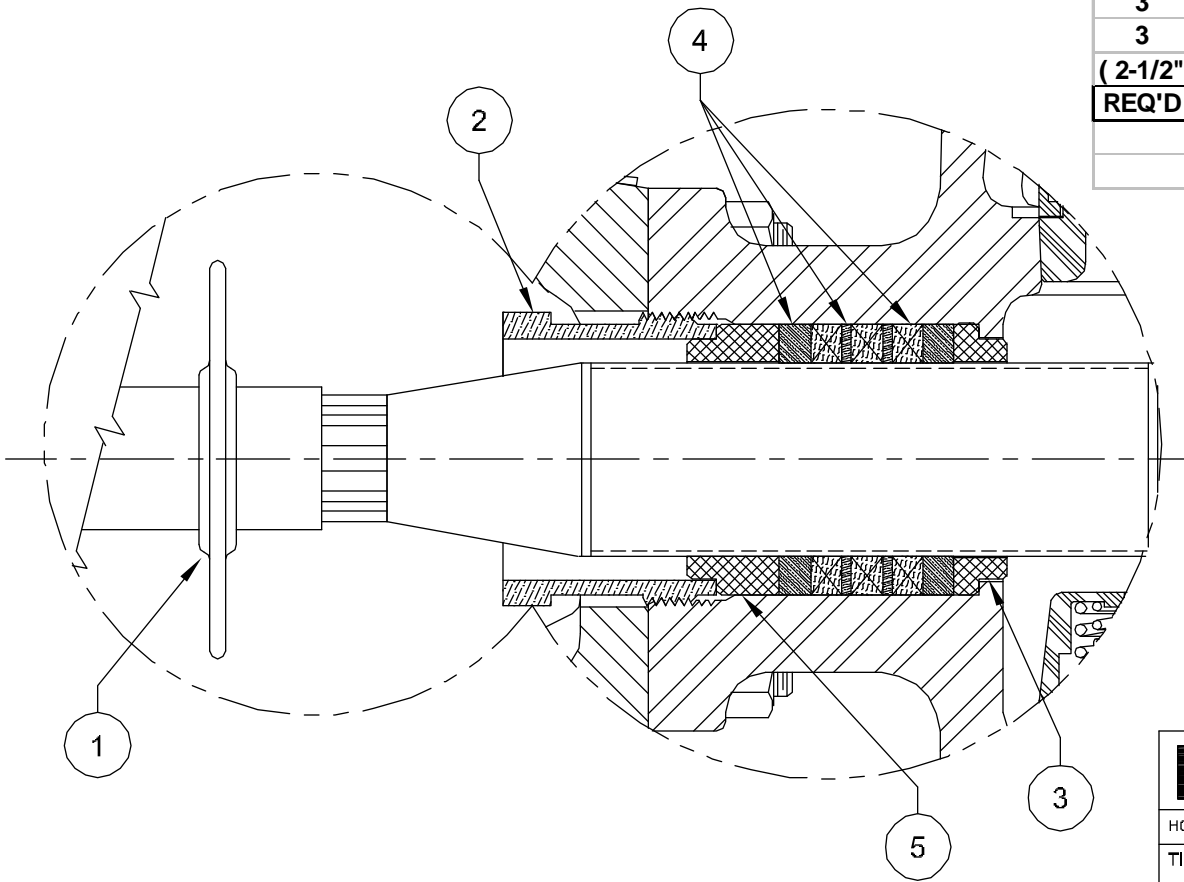
NOV NATIONAL OILWELL VARCO			
HOUSTON, TEXAS, U.S.A.		ENGINEERING, TULSA, OKLAHOMA	
TITLE:			
ASSEMBLY, PLUNGER KIT BRAID STYLE PKG, 2-1/4" THRU 3" PLUNGER 59T-3L (T365AL, T365L)			
DWG No.:	SCALE:	REV	SHT.:
117809	NONE	A	2 OF 7

3	001-010298-278		(SS)	
3	001-012098-235		(STL)	
3	001-024050-302	FOLLOWER	(BRZ)	5
3	309-212238-458		8921-K	
3	309-212238-339		249	
3	309-212238-337		241	
3	309-212238-395	PACKING	238	4
3	001-007783-278		(SS)	
3	001-007783-235		(STL)	
3	001-007783-302	THROAT BUSHING	(BRZ)	3
3	AAB-029711-E16	<*>	(XSS)	
3	001-003497-351		(DI)	
3	001-003497-310	GLAND NUT	(BRZ)	2
3	001-007986-201	BAFFLE DISC		1

(2-1/2" PLUNGER)				
REQ'D	Part No.	DESCRIPTION		ITEM

BILL OF MATERIAL

<*> COATED STAINLESS STEEL



NOTE

1) FOR ALL " BRAID " STYLE PACKING SEE DRAWING 117809, SHEETS 1 THRU 7.

NOV NATIONAL OILWELL VARCO			
HOUSTON, TEXAS, U.S.A.		ENGINEERING, TULSA, OKLAHOMA	
TITLE: ASSEMBLY, PLUNGER KIT BRAID STYLE PKG, 2-1/4" THRU 3" PLUNGER 59T-3L (T365AL, T365L)			
DWG No.:	117809	SCALE:	NONE
REV	A	SHT.:	3 OF 7

3	309-258231-458		8921-K	
3	309-258231-339		249	
3	309-258231-337		241	
3	309-258231-395	PACKING	238	4
6	AGA-029617-278	THROAT BUSHING	(SS)	
6	AGA-029617-235	THROAT BUSHING	(STL)	
6	AGA-029617-302	THROAT BUSHING	(BRZ)	3
3	AAB-029711-E16	<*>	(XSS)	
3	001-003497-351		(DI)	
3	001-023942-310	GLAND NUT	(BRZ)	2
3	001-007986-201	BAFFLE DISC		1

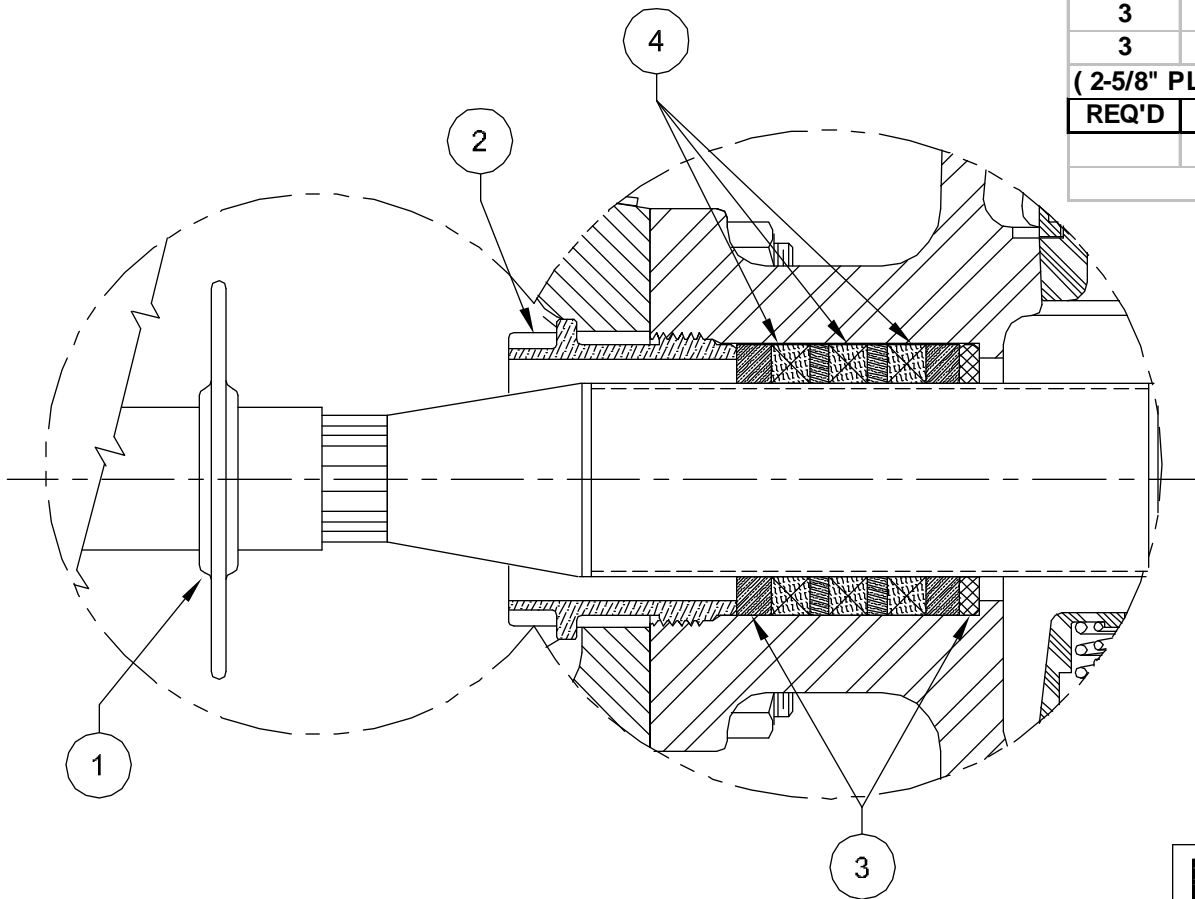
(2-5/8" PLUNGER)

REQ'D	Part No.	DESCRIPTION		ITEM

BILL OF MATERIAL

<*> COATED STAINLESS STEEL

51

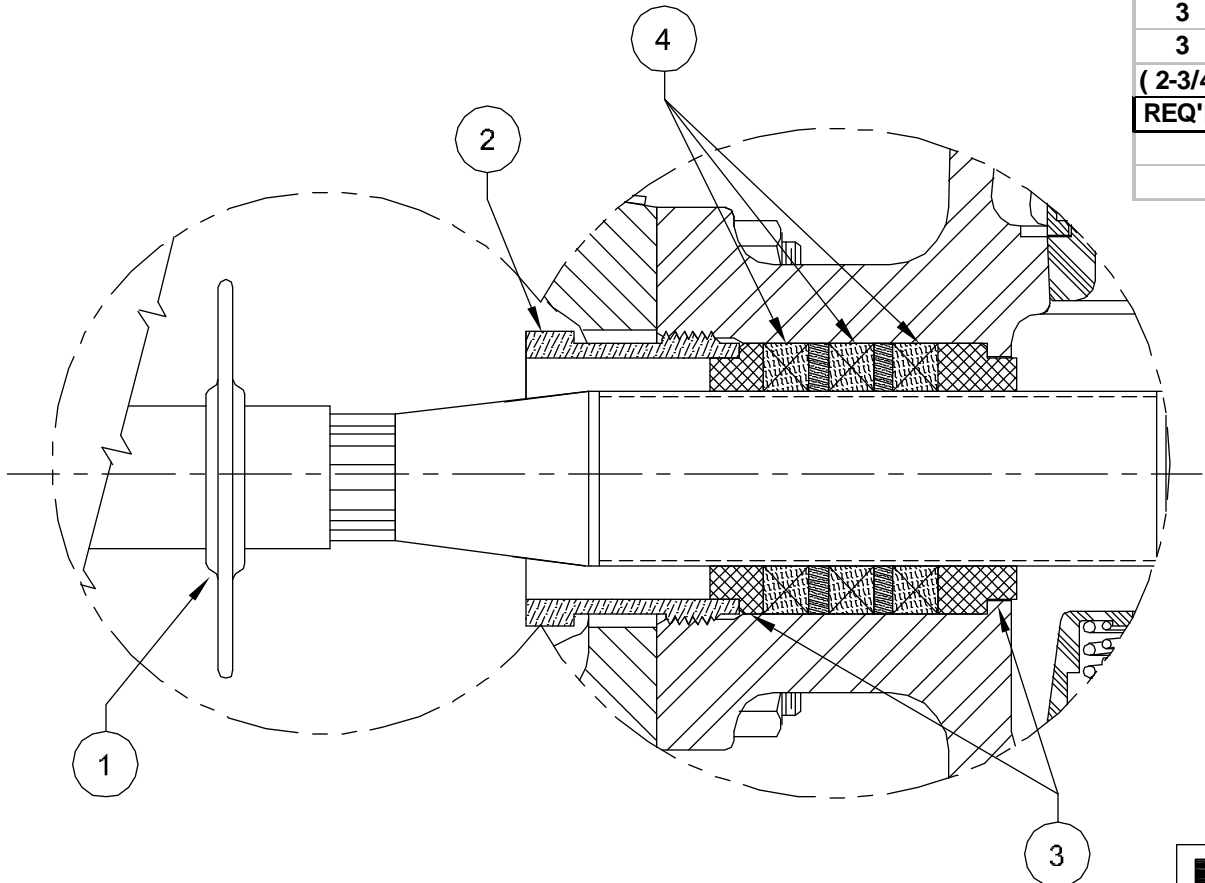


NOTE

1) FOR ALL " BRAID " STYLE PACKING SEE DRAWING 117809, SHEETS 1 THRU 7.

NOV NATIONAL OILWELL VARCO			
HOUSTON, TEXAS, U.S.A.		ENGINEERING, TULSA, OKLAHOMA	
TITLE:			
ASSEMBLY, PLUNGER KIT BRAID STYLE PKG, 2-1/4" THRU 3" PLUNGER 59T-3L (T365AL, T365L)			
DWG No.:	SCALE:	REV	SHT.:
117809	NONE	A	4 OF 7

3	309-234238-458		8921-K	
3	309-234238-339		249	
3	309-234238-337		241	
3	309-234238-395	PACKING	238	4
6	001-011061-278		(SS)	
6	001-011061-235		(STL)	
6	001-011061-302	THROAT BUSHING	(BRZ)	3
3	AAB-029711-E16	<*>	(XSS)	
3	001-003497-351		(DI)	
3	001-023942-310	GLAND NUT	(BRZ)	2
3	001-007986-201	BAFFLE DISC		1
(2-3/4" PLUNGER)				
REQ'D	Part No.	DESCRIPTION		ITEM
BILL OF MATERIAL				



<*> COATED STAINLESS STEEL

52

NOTE

1) FOR ALL " BRAID " STYLE PACKING SEE DRAWING 117809, SHEETS 1 THRU 7.

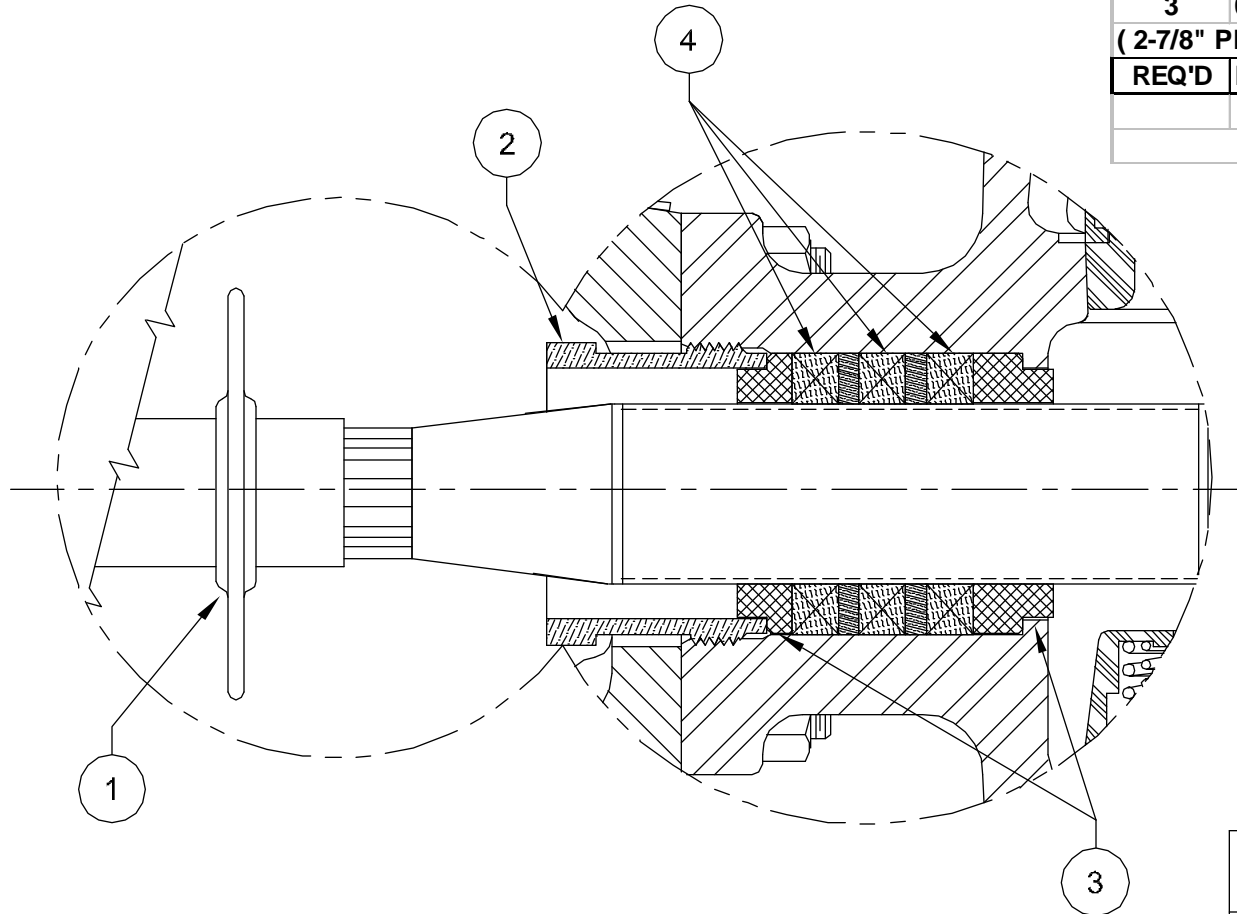
NOV NATIONAL OILWELL VARCO			
HOUSTON, TEXAS, U.S.A.		ENGINEERING, TULSA, OKLAHOMA	
TITLE: ASSEMBLY, PLUNGER KIT BRAID STYLE PKG, 2-1/4" THRU 3" PLUNGER 59T-3L (T365AL, T365L)			
DWG No.: 117809	SCALE: NONE	REV A	SHT.: 5 of 7

	309-278258-458		8921-K	
	309-278258-339		249	
3	309-278258-337		241	
3	309-278258-395	PACKING	238	4
6	ACC-030416-278		(SS)	
6	ACC-030416-235		(STL)	
6	ACC-030416-302	THROAT BUSHING	(BRZ)	3
3	AAB-029711-E16	<*>	(XSS)	
3	001-003497-351		(DI)	
3	001-023942-310	GLAND NUT	(BRZ)	2
3	001-007986-201	BAFFLE DISC		1
(2-7/8" PLUNGER)				
REQ'D	Part No.	DESCRIPTION		ITEM

BILL OF MATERIAL

<*> COATED STAINLESS STEEL

53



NOTE

1) FOR ALL " BRAID " STYLE PACKING SEE DRAWING 117809, SHEETS 1 THRU 7.

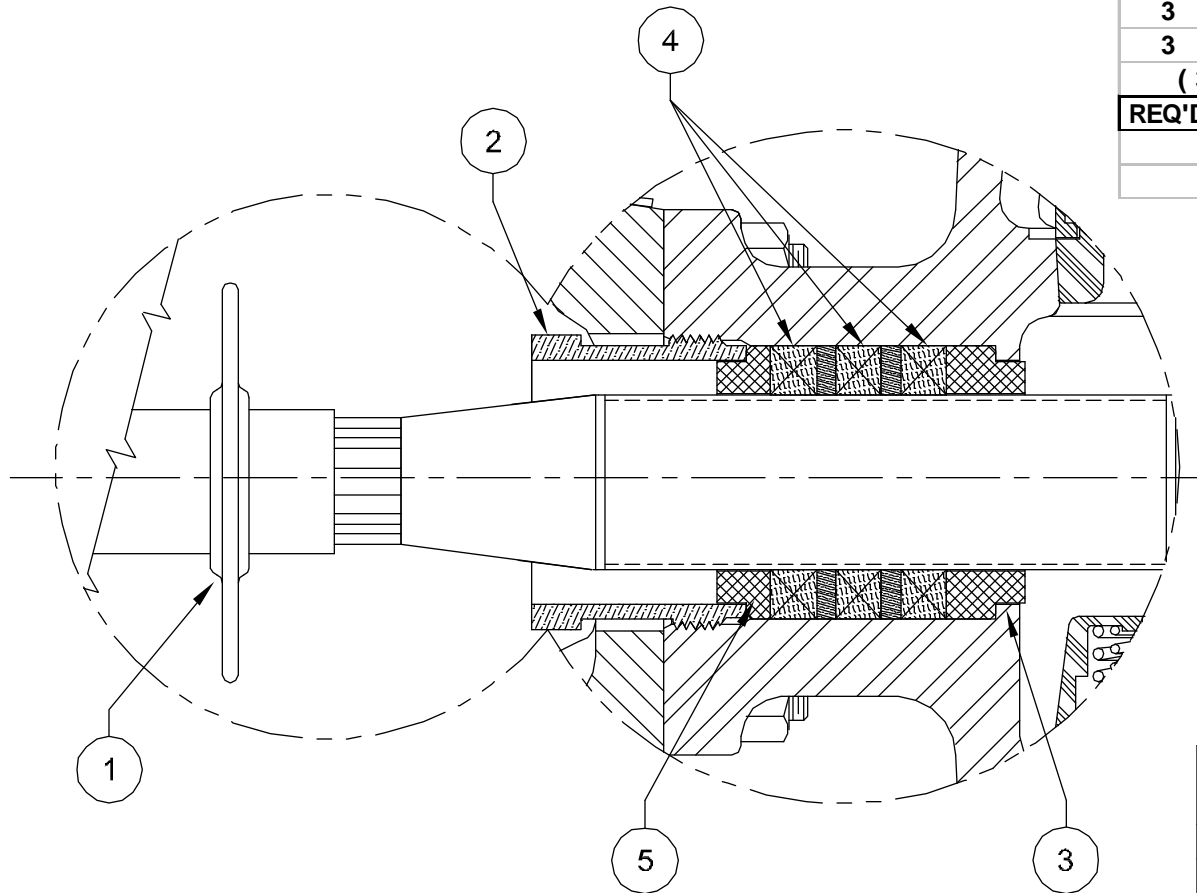
NOV NATIONAL OILWELL VARCO			
HOUSTON, TEXAS, U.S.A.		ENGINEERING, TULSA, OKLAHOMA	
TITLE: ASSEMBLY, PLUNGER KIT BRAID STYLE PKG, 2-1/4" THRU 3" PLUNGER 59T-3L (T365AL, T365L)			
DWG No.:	SCALE:	REV	SHT.:
117809	NONE	A	6 OF 7

3	001-024051-278		(SS)	
3	001-024051-235		(STL)	
3	001-024051-302	FOLLOWER	(BRZ)	
3	309-300212-458		8921-K	5
3	309-300212-339		249	
3	309-300212-337		241	
3	309-300212-395	PACKING	238	4
3	001-003819-278		(SS)	
3	001-003819-235		(STL)	
3	001-003819-302	THROAT BUSHING	(BRZ)	3
3	AAB-029711-E16	<*>	(XSS)	
3	001-003497-351		(DI)	
3	001-003497-310	GLAND NUT	(BRZ)	2
3	001-007986-201	BAFFLE DISC		1
(3" PLUNGER)				

REQ'D	Part No.	DESCRIPTION		ITEM

BILL OF MATERIAL

<*> COATED STAINLESS STEEL



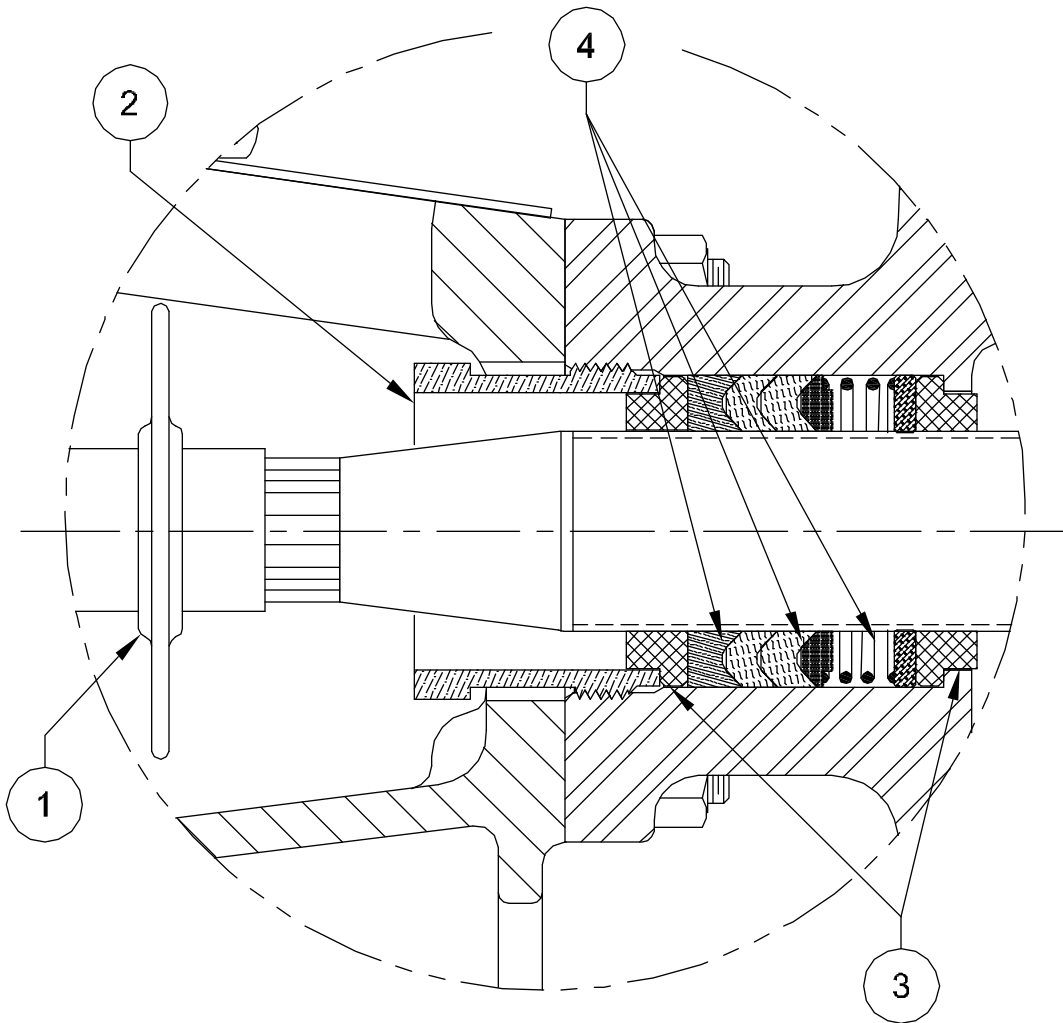
NOTE

1) FOR ALL " BRAID " STYLE PACKING SEE DRAWING 117809, SHEETS 1 THRU 7.

NOV NATIONAL OILWELL VARCO			
HOUSTON, TEXAS, U.S.A.		ENGINEERING, TULSA, OKLAHOMA	
TITLE: ASSEMBLY, PLUNGER KIT BRAID STYLE PKG, 2-1/4" THRU 3" PLUNGER 59T-3L (T365AL, T365L)			
DWG No.:	117809	SCALE:	NONE
REV:	A	SHT.:	7 OF 7

3	429-214244-342	PACKING W/SS ADPTR	1068-4	
3	429-214244-340	PACKING W/BRZ ADPTR	1068-4	4
6	001-012921-575		(SS)	
6	001-012921-302	THROAT BUSHING	(BRZ)	3
3	AAB-029711-E16	<*>	(XSS)	
3	001-023942-310	GLAND NUT	(BRZ)	2
3	001-007986-201	BAFFLE DISC		1
(2-1/4" PLUNGER)				
REQ'D	Part No.	DESCRIPTION		ITEM
BILL OF MATERIAL				

<*> COATED STAINLESS STEEL



NOTE

1) FOR ALL " 1068-4 " STYLE PACKING SEE DWG.,
117811, SHEETS 1 THRU 7.

55

NOV NATIONAL OILWELL VARCO

HOUSTON, TEXAS, U.S.A.

ENGINEERING, TULSA, OKLAHOMA

TITLE:

ASSEMBLY, PLUNGER KIT

"SSF-4" STYLE PKG, 2-1/4" THRU 3" PLUNGER

59T-3L (T365AL; T365L)

DWG No.:

117811

SCALE:

NONE

REV

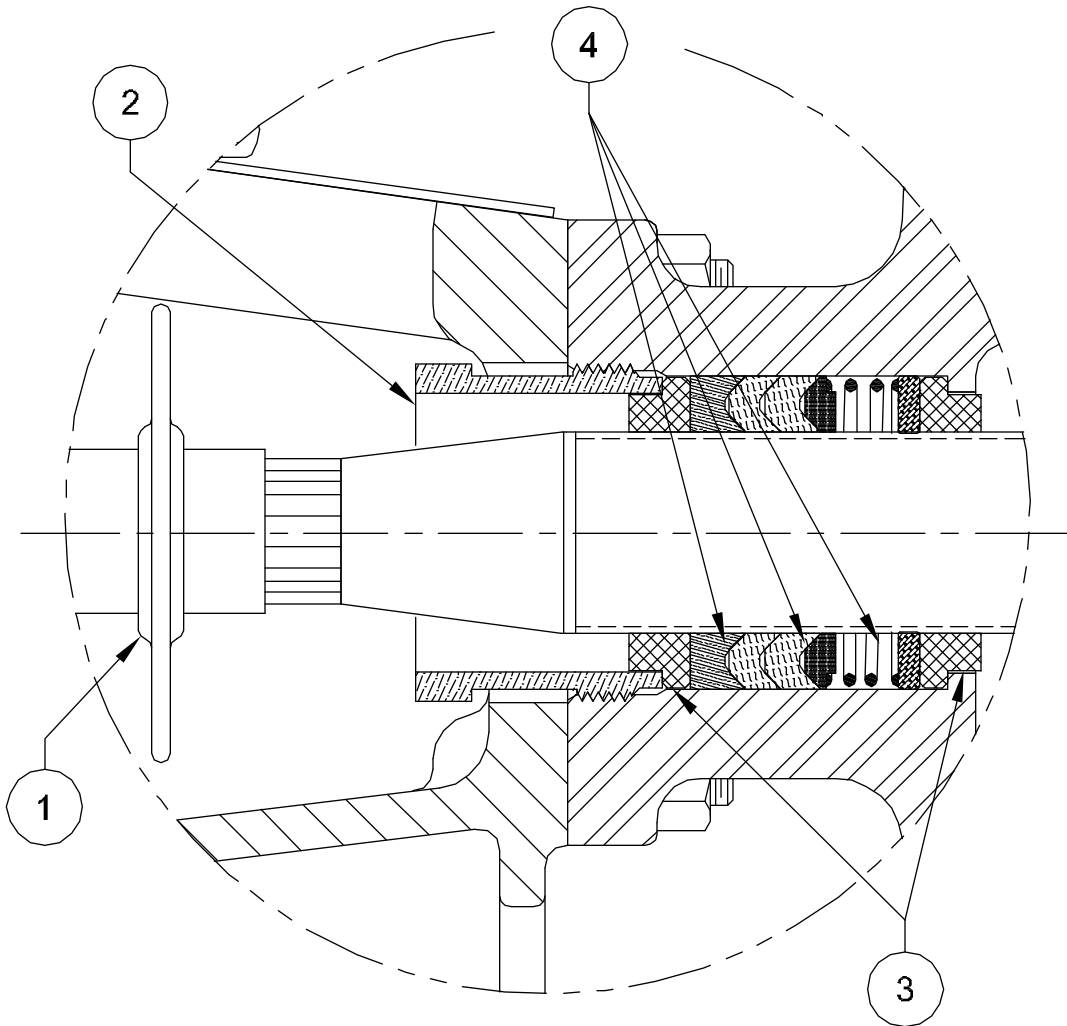
A

SHT.:

1 OF 7

3	429-238244-342	PACKING W/SS ADPTR	1068-4	
3	429-238244-340	PACKING W/BRZ ADPTR	1068-4	4
6	001-029502-575		(SS)	
6	001-029502-302	THROAT BUSHING	(BRZ)	3
3	AAB-029711-E16	<*>	(XSS)	
3	001-023942-310	GLAND NUT	(BRZ)	2
3	001-007986-201	BAFFLE DISC		1
(2-3/8" PLUNGER)				
REQ'D	Part No.	DESCRIPTION		ITEM
BILL OF MATERIAL				

<*> COATED STAINLESS STEEL



NOTE

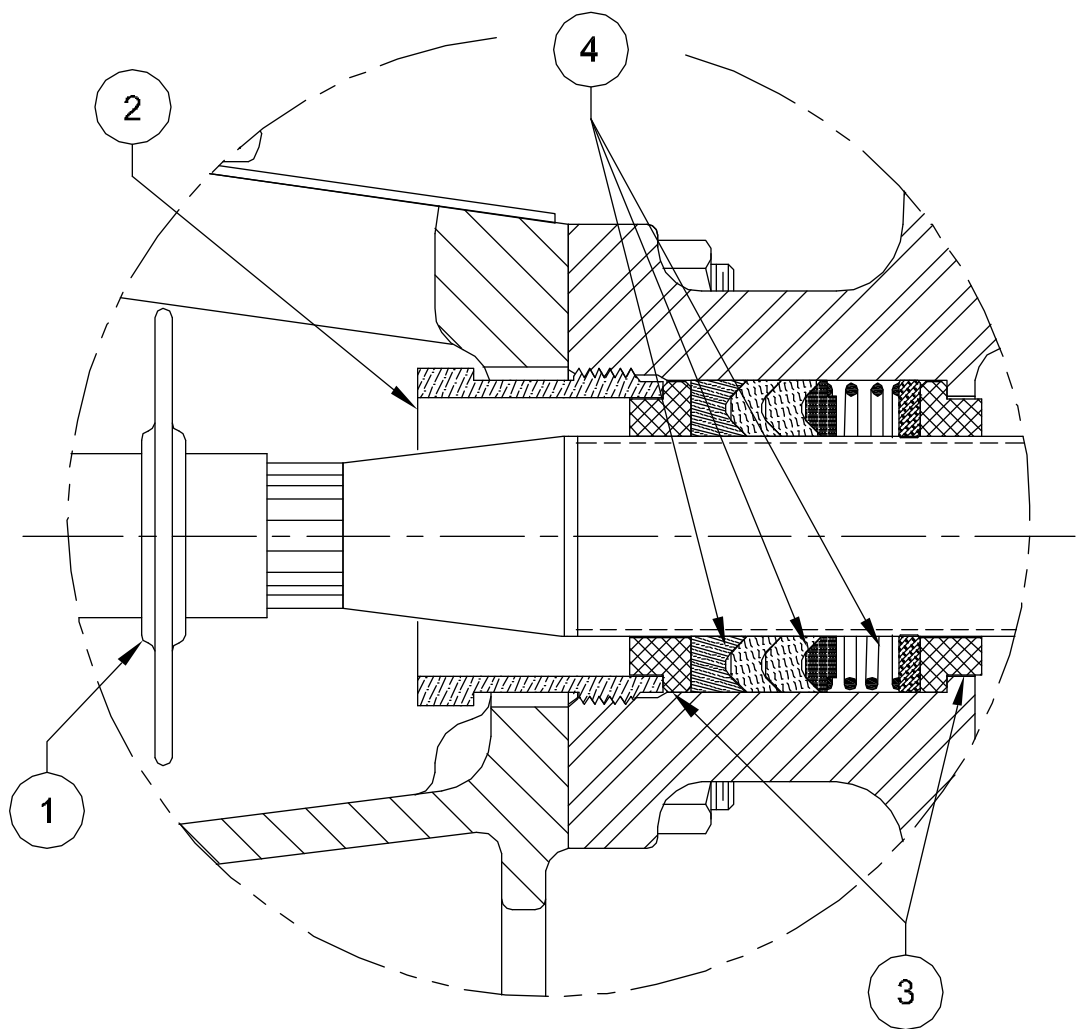
1) FOR ALL " 1068-4 " STYLE PACKING SEE DWG.,
117811, SHEETS 1 THRU 7.

NOV NATIONAL OILWELL VARCO			
HOUSTON, TEXAS, U.S.A.		ENGINEERING, TULSA, OKLAHOMA	
TITLE: ASSEMBLY, PLUNGER KIT "SSF-4" STYLE PKG, 2-1/4" THRU 3" PLUNGER 59T-3L (T365AL, T365L)			
DWG No.:	117811	SCALE:	NONE
REV	A	SHT.:	2 OF 7

3	429-212244-342	PACKING W/SS ADPTR	1068-4	
3	429-212244-340	PACKING W/BRZ ADPTR	1068-4	4
6	001-007783-575		(SS)	
6	001-007783-302	THROAT BUSHING	(BRZ)	3
3	AAB-029711-E16	<*>	(XSS)	
3	001-023942-310	GLAND NUT	(BRZ)	2
3	001-007986-201	BAFFLE DISC		1
(2-1/2" PLUNGER)				
REQ'D	Part No.	DESCRIPTION		ITEM

BILL OF MATERIAL

<*> COATED STAINLESS STEEL



57

NOTE

1) FOR ALL " 1068-4 " STYLE PACKING SEE DWG.,
117811, SHEETS 1 THRU 7.

NOV NATIONAL OILWELL VARCO
HOUSTON, TEXAS, U.S.A. ENGINEERING, TULSA, OKLAHOMA

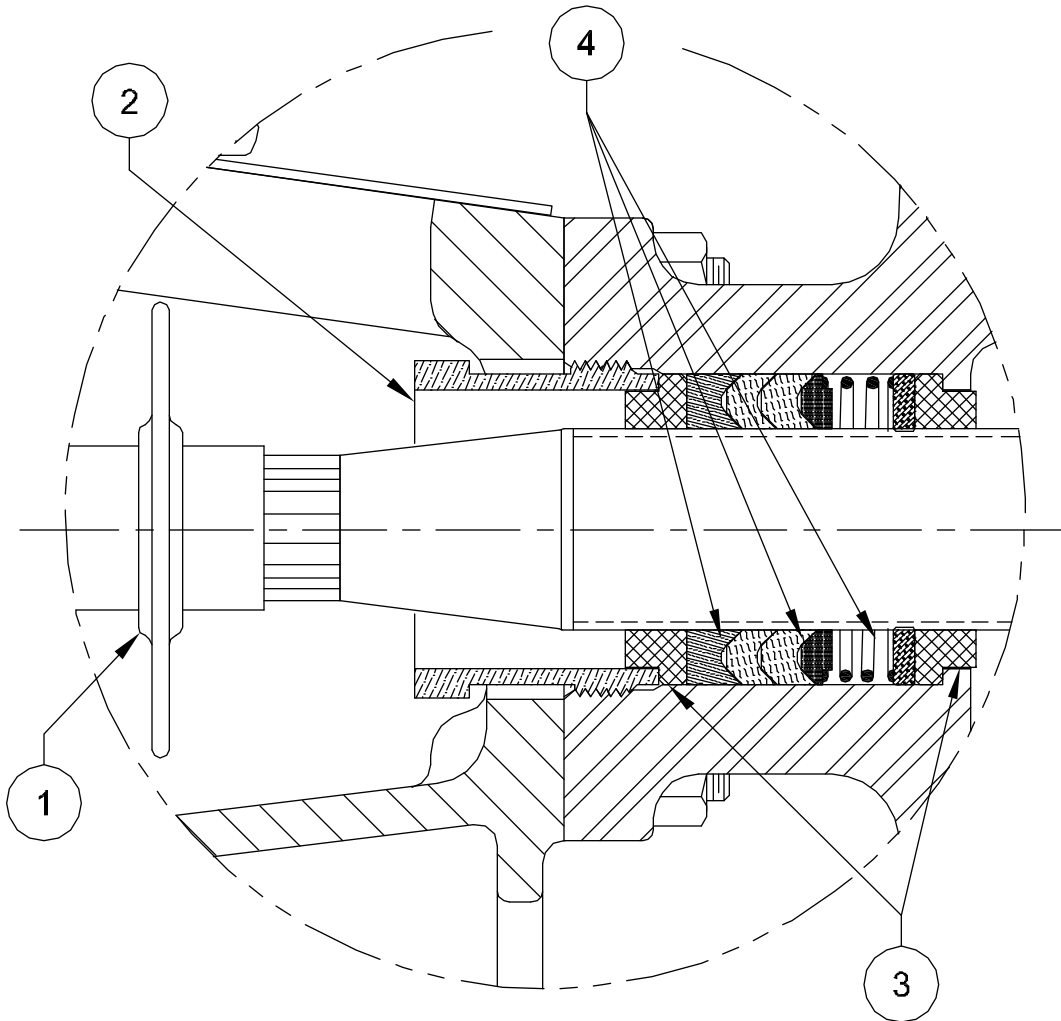
TITLE:
ASSEMBLY, PLUNGER KIT
"SSF-4" STYLE PKG, 2-1/4" THRU 3" PLUNGER
59T-3L (T365AL, T365L)

DWG No.: 117811	SCALE: NONE	REV A	SHT.: 3 OF 7
--------------------	----------------	----------	-----------------

3	429-258256-342	PACKING W/SS ADPTR	1068-4	
3	429-258256-340	PACKING W/BRZ ADPTR	1068-4	4
6	AGA-029617-575		(SS)	
6	AGA-029617-302	THROAT BUSHING	(BRZ)	3
3	AAB-029711-E16	<*>	(XSS)	
3	001-023942-310	GLAND NUT	(BRZ)	2
3	001-007986-201	BAFFLE DISC		1
(2-5/8" PLUNGER)				
REQ'D	Part No.	DESCRIPTION		ITEM

BILL OF MATERIAL

<*> COATED STAINLESS STEEL



58

NOTE

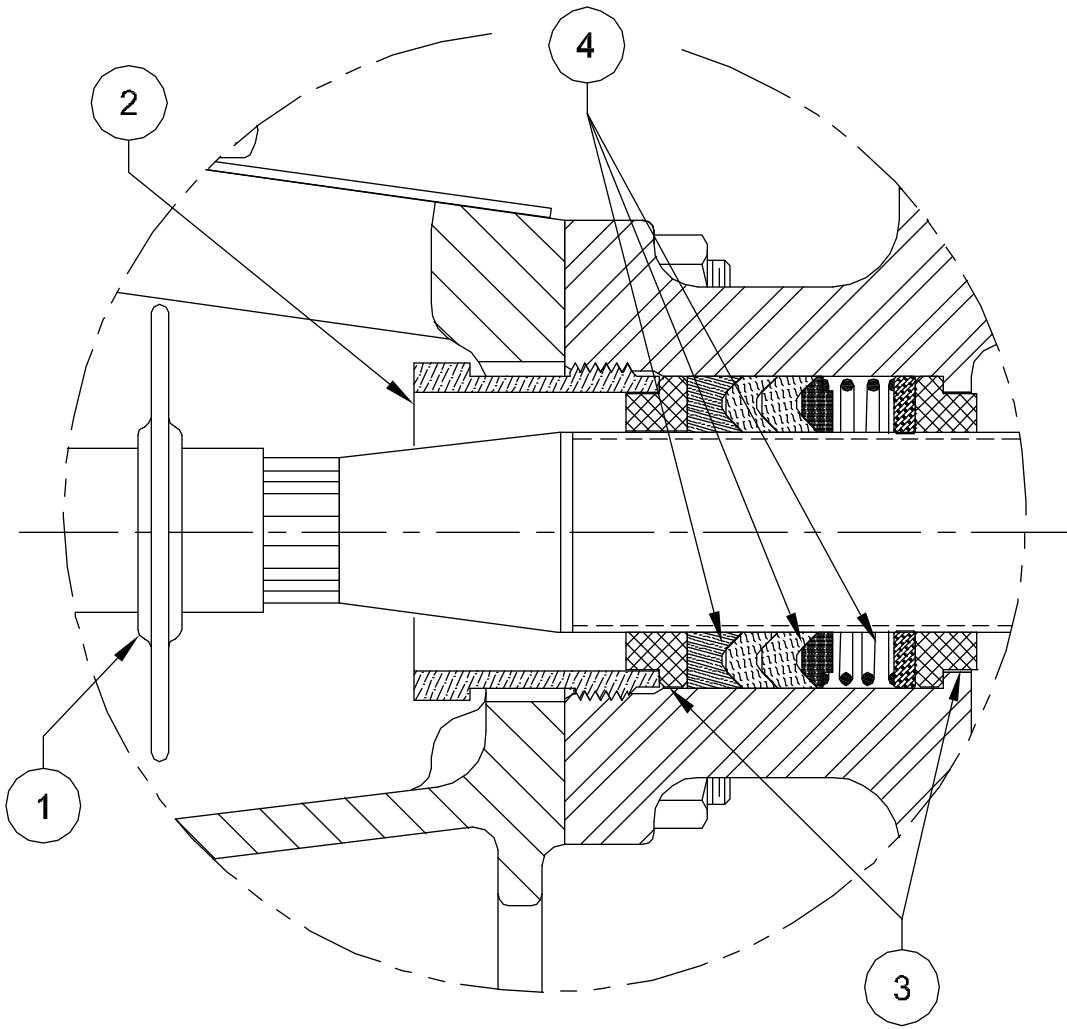
1) FOR ALL " 1068-4 " STYLE PACKING SEE DWG.,
117811, SHEETS 1 THRU 7.

NOV NATIONAL OILWELL VARCO			
HOUSTON, TEXAS, U.S.A.		ENGINEERING, TULSA, OKLAHOMA	
TITLE: ASSEMBLY, PLUNGER KIT "SSF-4" STYLE PKG, 2-1/4" THRU 3" PLUNGER 59T-3L (T365AL, T365L)			
DWG No.:	SCALE:	REV:	SHT.:
117811	NONE	A	4 OF 7

3	429-234256-342	PACKING W/SS ADPTR	1068-4	
3	429-234256-340	PACKING W/BRZ ADPTR	1068-4	4
6	001-011061-575		(SS)	
6	001-011061-302	THROAT BUSHING	(BRZ)	3
3	AAB-029711-E16	<*>	(XSS)	
3	001-023942-310	GLAND NUT	(BRZ)	2
3	001-007986-201	BAFFLE DISC		1
(2-3/4" PLUNGER)				
REQ'D	Part No.	DESCRIPTION		ITEM
BILL OF MATERIAL				

<*> COATED STAINLESS STEEL

59



NOTE

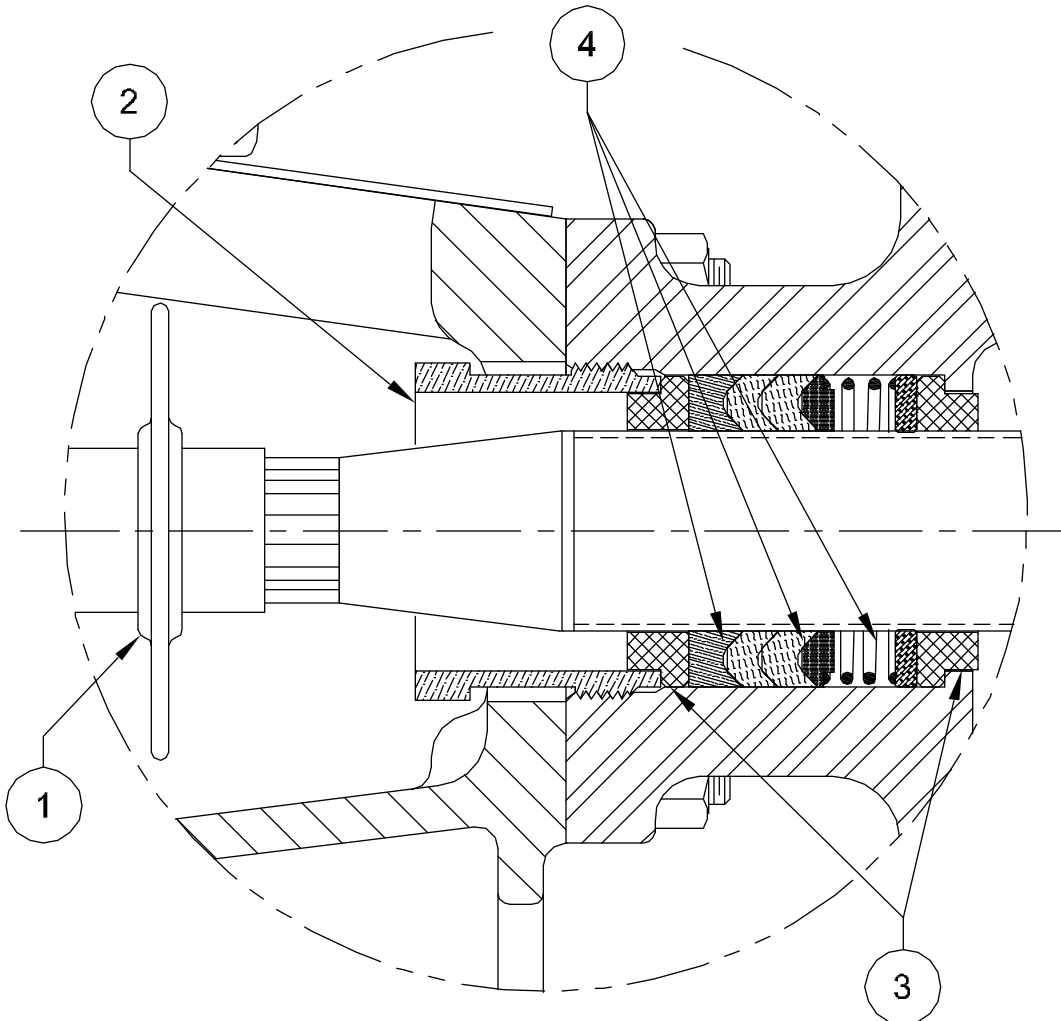
1) FOR ALL " 1068-4 " STYLE PACKING SEE DWG.,
117811, SHEETS 1 THRU 7.

NOV NATIONAL OILWELL VARCO			
HOUSTON, TEXAS, U.S.A.		ENGINEERING, TULSA, OKLAHOMA	
TITLE:			
ASSEMBLY, PLUNGER KIT "SSF-4" STYLE PKG, 2-1/4" THRU 3" PLUNGER 59T-3L (T365AL, T365L)			
DWG No.:	SCALE:	REV	SHT.:
117811	NONE	A	5 OF 7

3	429-278256-342	PACKING W/SS ADPTR	1068-4	
3	429-278256-340	PACKING W/BRZ ADPTR	1068-4	4
6	ACC-030416-575		(SS)	
6	ACC-030416-302	THROAT BUSHING	(BRZ)	3
3	AAB-029711-E16	<*>	(XSS)	
3	001-023942-310	GLAND NUT	(BRZ)	2
3	001-007986-201	BAFFLE DISC		1
(2-7/8" PLUNGER)				
REQ'D	Part No.	DESCRIPTION		ITEM
BILL OF MATERIAL				

<*> COATED STAINLESS STEEL

60

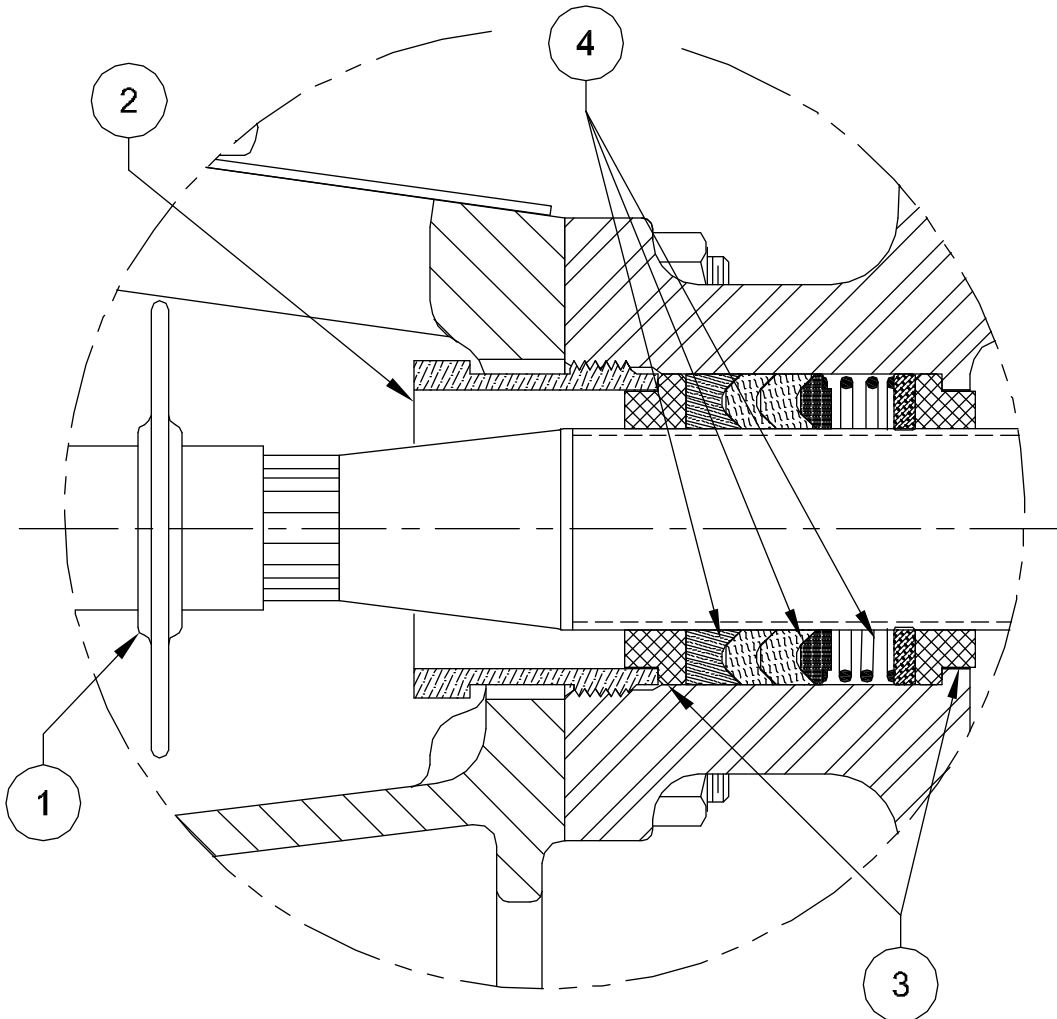


NOTE

1) FOR ALL " 1068-4 " STYLE PACKING SEE DWG.,
117811, SHEETS 1 THRU 7.

NOV NATIONAL OILWELL VARCO	
HOUSTON, TEXAS, U.S.A.	ENGINEERING, TULSA, OKLAHOMA
TITLE: ASSEMBLY, PLUNGER KIT "SSF-4" STYLE PKG, 2-1/4" THRU 3" PLUNGER 59T-3L (T365AL, T365L)	
DWG No.: 117811	SCALE: NONE
REV A	SHT.: 6 of 7

3	429-300256-342	PACKING W/SS ADPTR	1068-4	
3	429-300256-340	PACKING W/BRZ ADPTR	1068-4	4
6	001-003819-575		(SS)	
6	001-003819-302	THROAT BUSHING	(BRZ)	3
3	AAB-029711-E16	<*>	(XSS)	
3	001-023942-310	GLAND NUT	(BRZ)	2
3	001-007986-201	BAFFLE DISC		1
(3" PLUNGER)				
REQ'D	Part No.	DESCRIPTION		ITEM
BILL OF MATERIAL				



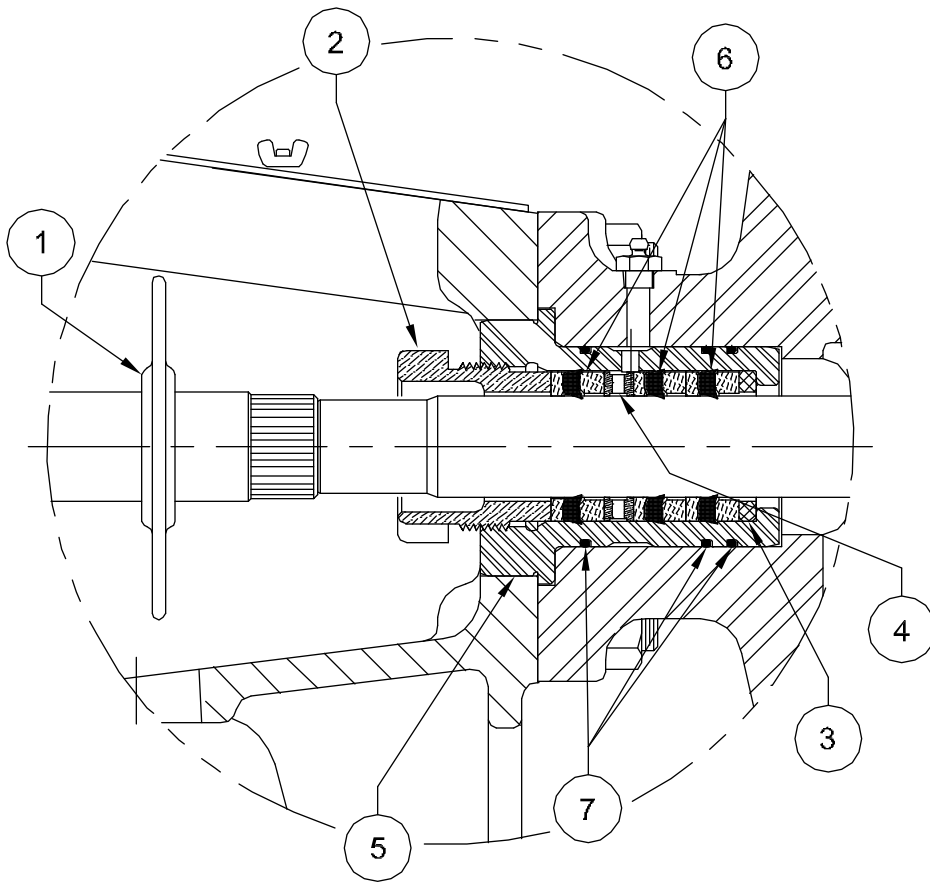
<*> COATED STAINLESS STEEL

61

NOTE

1) FOR ALL " 1068-4 " STYLE PACKING SEE DWG.,
117811, SHEETS 1 THRU 7.

NOV NATIONAL OILWELL VARCO			
HOUSTON, TEXAS, U.S.A.		ENGINEERING, TULSA, OKLAHOMA	
TITLE: ASSEMBLY, PLUNGER KIT "SSF-4" STYLE PKG, 2-1/4" THRU 3" PLUNGER 59T-3L (T365AL, T365L)			
DWG No.:	117811	SCALE:	NONE
REV	A	SH1.:	7 OF 7



NOTE
 1) FOR ALL " J " STYLE PACKING SEE DRAWING 117957,
 SHEETS 1 THRU 9.

9	110-000232-200	O-RING		7
	182-112214-477		858	
	182-112214-386		842	
	182-112214-374		845	
3	182-112214-370	PACKING	838	6
	002-011673-278		(SS)	
	002-011673-237		(STL)	
3	002-011673-316	STUFFING BOX	(BRZ)	5
	001-011218-278		(SS)	
	001-011218-235		(STL)	
3	011-011218-302	LANTERN RING	(BRZ)	4
	001-010949-278		(SS)	
	001-010949-235		(STL)	
3	001-010949-302	THROAT BUSHING	(BRZ)	3
	ACC-013800-E16	<*>	(XSS)	
	001-011230-351		(DI)	
3	001-011230-304	GLAND NUT	(BRZ)	2
3	001-007986-201	BAFFLE DISC		1
(1-1/2" PLUNGER)				
REQ'D	Part No.	DESCRIPTION		ITEM
BILL OF MATERIAL				

<*> COATED STAINLESS STEEL

62

NOV NATIONAL OILWELL VARCO

HOUSTON, TEXAS, U.S.A.

ENGINEERING, TULSA, OKLAHOMA

TITLE:

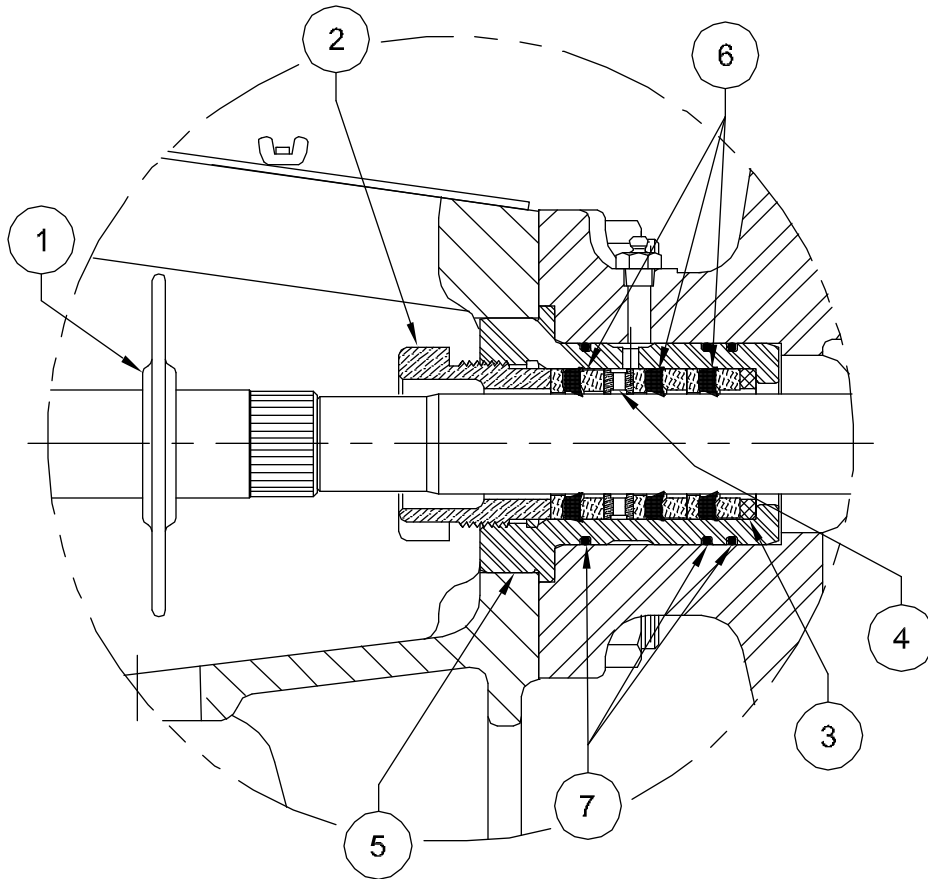
ASSEMBLY, PLUNGER KIT
 "J"-STYLE PKG, 1-1/2" THRU 2-1/2" PLUNGER
 59T-3M (T365AM, T365M)

DWG No.: 117957

SCALE: NONE

REV A

SHT.: 1 OF 9



9	110-000232-200	O-RING		7
	182-158214-477		858	
	182-158214-386		842	
	182-158214-374		845	
3	182-158214-370	PACKING	838	6
	002-011673-278		(SS)	
	002-011673-237		(STL)	
3	002-011673-316	STUFFING BOX	(BRZ)	5
	001-005305-278		(SS)	
	001-005305-235		(STL)	
3	001-005305-302	LANTERN RING	(BRZ)	4
	001-010962-278		(SS)	
	001-010962-235		(STL)	
3	001-010962-302	THROAT BUSHING	(BRZ)	3
	ABC-013800-E16	<*>	(XSS)	
	001-011231-351		(DI)	
3	001-011231-304	GLAND NUT	(BRZ)	2
3	001-007986-201	BAFFLE DISC		1

(1-5/8" PLUNGER)

REQ'D	Part No.	DESCRIPTION	ITEM
-------	----------	-------------	------

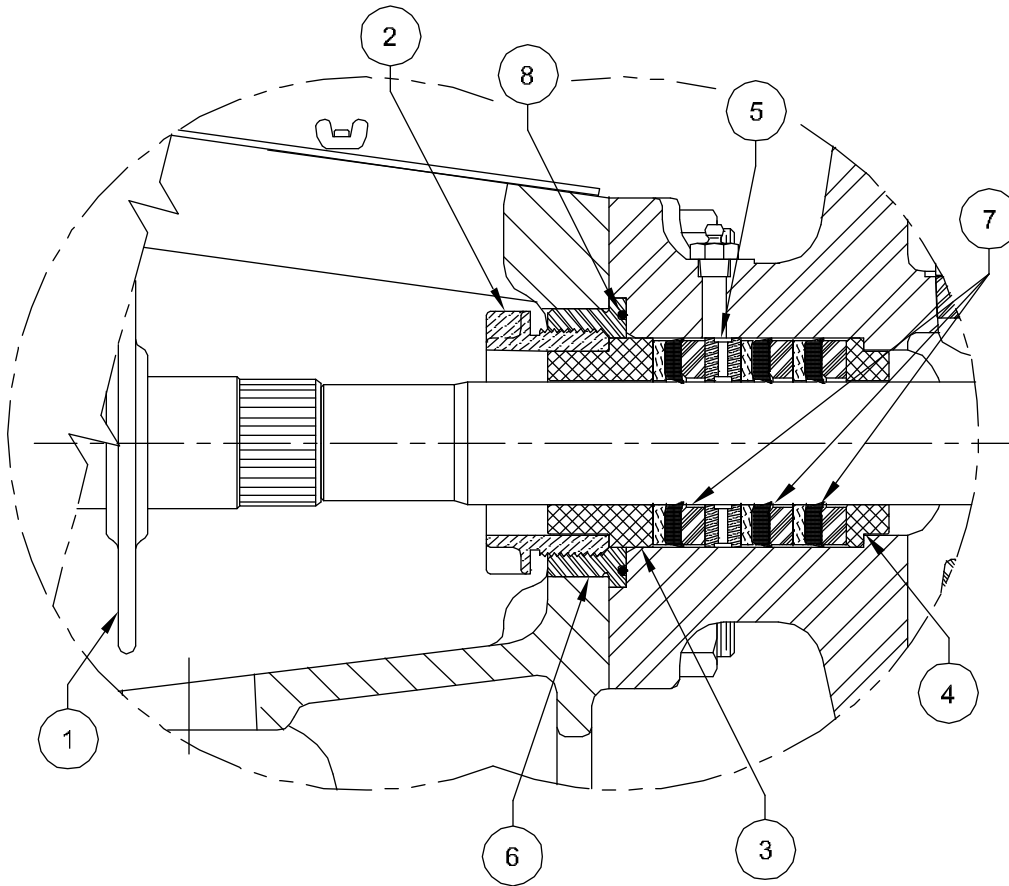
BILL OF MATERIAL

<*> COATED STAINLESS STEEL

NOTE

1) FOR ALL " J " STYLE PACKING SEE DRAWING 117957, SHEETS 1 THRU 9.

NOV NATIONAL OILWELL VARCO			
HOUSTON, TEXAS, U.S.A.		ENGINEERING, TULSA, OKLAHOMA	
TITLE: ASSEMBLY, PLUNGER KIT "J" STYLE PKG, 1-1/2" THRU 2-1/2" PLUNGER 59T-3M (T365AM, T365M)			
DWG No.:	SCALE:	REV:	SHT.:
117957	NONE	A	2 OF 9



3	110-000238-200	O-RING		8
	181-134244-477		858	
	181-134244-286		842	
	181-134244-374		845	
3	181-134244-370	PACKING	838	7
	001-010258-278		(SS)	
	001-010258-236		(STL)	
3	001-010258-313	ADAPTER	(BRZ)	6
	001-010990-278		(SS)	
	001-010990-235		(STL)	
3	001-010990-302	LANTERN RING	(BRZ)	5
	001-010897-278		(SS)	
	001-010897-235		(STL)	
3	001-010897-302	THROAT BUSHING	(BRZ)	4
	001-010933-278		(SS)	
	001-010933-235		(STL)	
	001-010933-302	FOLLOWER	(BRZ)	3
	002-007977-E16	<*>	(XSS)	
	001-007977-351		(DI)	
3	002-007977-261	GLAND NUT	(SS)	2
3	001-007986-201	BAFFLE DISC		1
(1-3/4" PLUNGER)				
REQ'D	Part No.	DESCRIPTION		ITEM

BILL OF MATERIAL

<*> COATED STAINLESS STEEL

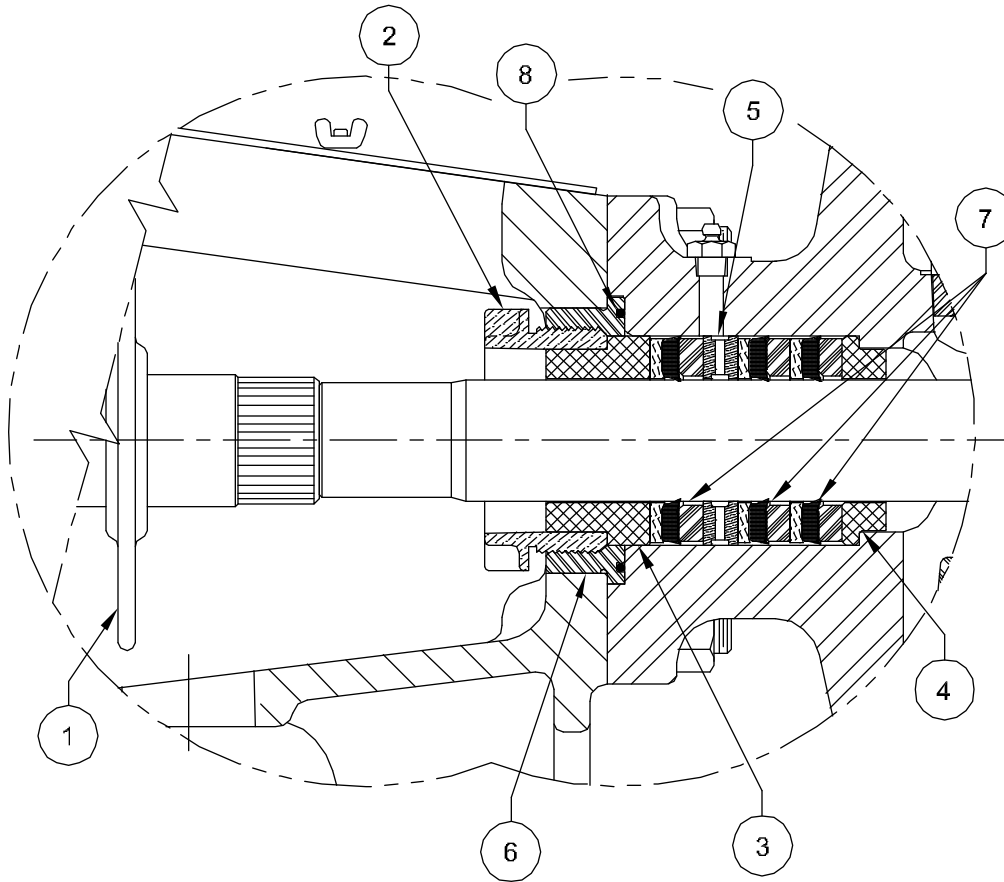
NOTE

1) FOR ALL " J " STYLE PACKING SEE DRAWING 117957, SHEETS 1 THRU 9.

NOV NATIONAL OILWELL VARCO
 HOUSTON, TEXAS, U.S.A. ENGINEERING, TULSA, OKLAHOMA

TITLE:
 ASSEMBLY, PLUNGER KIT
 "J" STYLE PKG, 1-1/2" THRU 2-1/2" PLUNGER
 59T-3M, (T365AM, T365M)

DWC No.: 117957 SCALE: NONE REV A SHT.: 3 OF 9



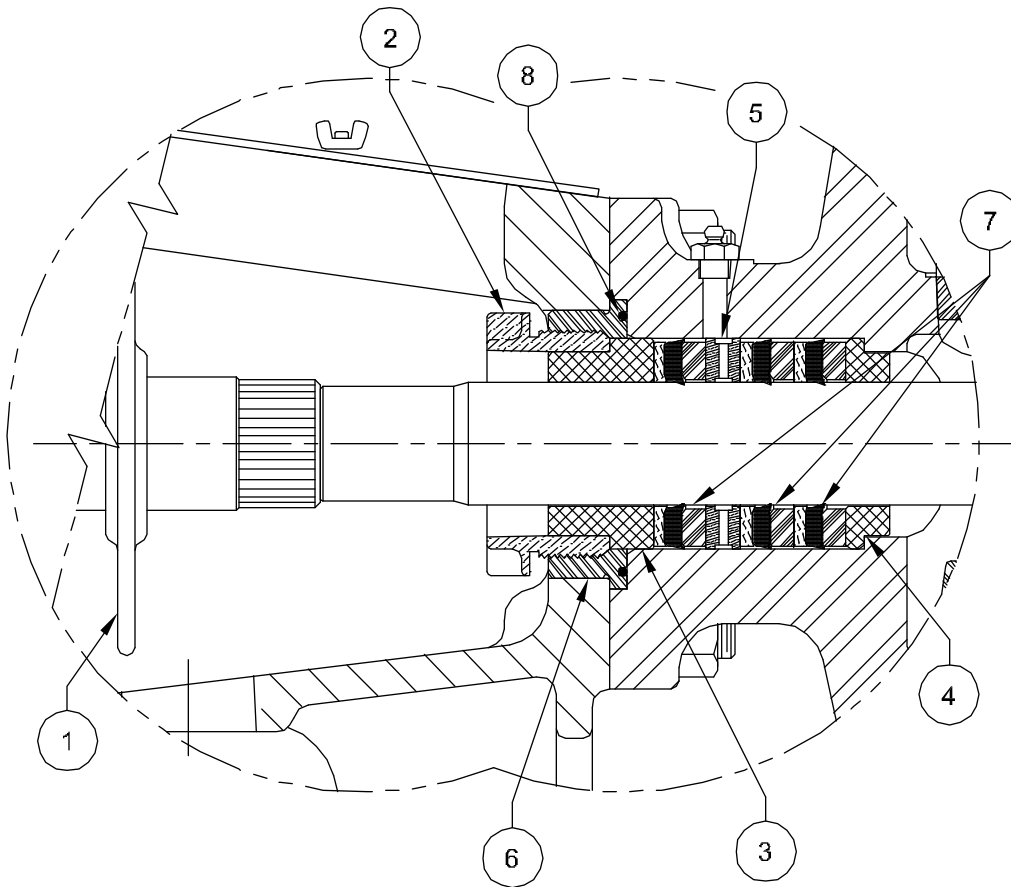
NOTE

1) FOR ALL "J" STYLE PACKING SEE DRAWING 117957, SHEETS 1 THRU 9.

3	110-000238-200	O-RING		8
	181-178244-477		858	
	181-178244-386		842	
	181-178244-374		845	
3	181-178244-370	PACKING	838	7
	001-010258-278		(SS)	
	001-010258-236		(STL)	
3	001-010258-313	ADAPTER	(BRZ)	6
	001-014457-278		(SS)	
	001-014457-235		(STL)	
3	001-014457-302	LANTERN RING	(BRZ)	5
	001-010899-278		(SS)	
	001-010899-235		(STL)	
3	001-010899-302	THROAT BUSHING	(BRZ)	4
	001-014459-278		(SS)	
	001-014459-235		(STL)	
	001-014459-302	FOLLOWER	(BRZ)	3
	002-007977-E16	<*>	(XSS)	
	001-007977-351		(DI)	
3	002-007977-261	GLAND NUT	(SS)	2
3	001-007986-201	BAFFLE DISC		1
(1-7/8" PLUNGER)				
REQ'D	Part No.	DESCRIPTION		ITEM
BILL OF MATERIAL				

<*> COATED STAINLESS STEEL

NOV NATIONAL OILWELL VARCO			
HOUSTON, TEXAS, U.S.A.		ENGINEERING, TULSA, OKLAHOMA	
TITLE:			
ASSEMBLY, PLUNGER KIT "J" STYLE PKG, 1-1/2" THRU 2-1/2" PLUNGER 59T-3M (T365AM, T365M)			
DWG No.:	SCALE:	REV	SHT.:
117957	NONE	A	4 OF 9



NOTE
 1) FOR ALL " J " STYLE PACKING SEE DRAWING 117957,
 SHEETS 1 THRU 9.

3	110-000238-200	O-RING		8
	181-200214-477		858	
	181-200214-386		842	
	181-200214-374		845	
3	181-200214-370	PACKING	838	7
	001-010258-278		(SS)	
	001-010258-236		(STL)	
3	001-010258-313	ADAPTER	(BRZ)	6
	001-010991-278		(SS)	
	001-010991-235		(STL)	
3	001-010991-302	LANTERN RING	(BRZ)	5
	001-010901-278		(SS)	
	001-010901-235		(STL)	
3	001-010901-302	THROAT BUSHING	(BRZ)	4
	001-010931-278		(SS)	
	001-010931-235		(STL)	
	001-010931-302	FOLLOWER	(BRZ)	3
	002-007977-E16	<*>	(XSS)	
	001-007977-351		(DI)	
3	002-007977-261	GLAND NUT	(SS)	2
3	001-007986-201	BAFFLE DISC		1
(2" PLUNGER)				
REQ'D	Part No.	DESCRIPTION		ITEM
BILL OF MATERIAL				

<*> COATED STAINLESS STEEL

66

NOV NATIONAL OILWELL VARCO

HOUSTON, TEXAS, U.S.A.

ENGINEERING, TULSA, OKLAHOMA

TITLE:

ASSEMBLY, PLUNGER KIT
 "J" STYLE PKG, 1-1/2" THRU 2-1/2" PLUNGER
 59T-3M (T365AM, T365M)

DWG No.:

117957

SCALE:

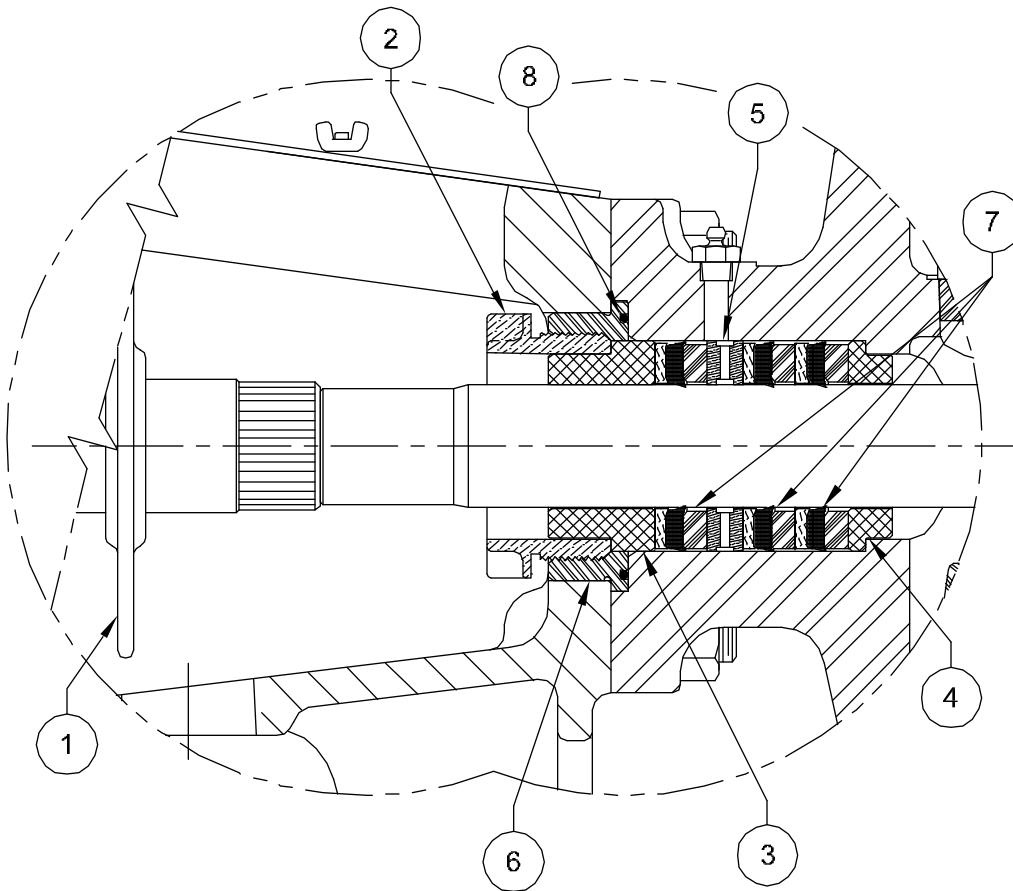
NONE

REV

A

SHT.:

5 OF 9



NOTE

1) FOR ALL " J " STYLE PACKING SEE DRAWING 117957, SHEETS 1 THRU 9.

3	110-000238-200	O-RING		8
	181-218214-477		858	
	181-218214-386		842	
	181-218214-374		845	
3	181-218214-370	PACKING	838	7
	001-010258-278		(SS)	
	001-010258-236		(STL)	
3	001-010258-313	ADAPTER	(BRZ)	6
	001-014456-278		(SS)	
	001-014456-235		(STL)	
3	001-014456-302	LANTERN RING	(BRZ)	5
	001-010902-278		(SS)	
	001-010902-235		(STL)	
3	001-010902-302	THROAT BUSHING	(BRZ)	4
	001-014458-278		(SS)	
	001-014458-235		(STL)	
	001-014458-302	FOLLOWER	(BRZ)	3
	002-007977-E16	<*>	(XSS)	
	001-007977-351		(DI)	
3	002-007977-261	GLAND NUT	(SS)	2
3	001-007986-201	BAFFLE DISC		1
(2-1/8" PLUNGER)				
REQ'D	Part No.	DESCRIPTION		ITEM
BILL OF MATERIAL				

<*> COATED STAINLESS STEEL

67



HOUSTON, TEXAS, U.S.A.

ENGINEERING, TULSA, OKLAHOMA

TITLE:

ASSEMBLY, PLUNGER KIT
 "J" STYLE PKG, 1-1/2" THRU 2-1/2" PLUNGER
 59T-3M (T365AM, T365M)

DWG No.:

117957

SCALE:

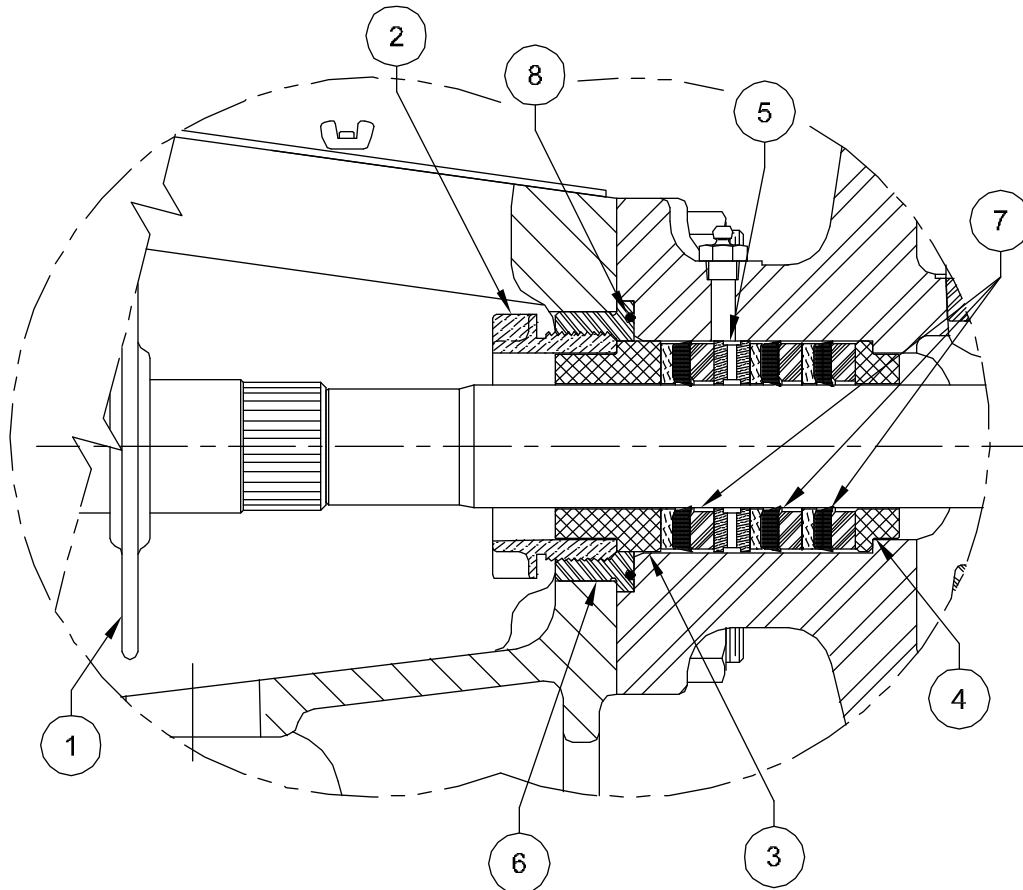
NONE

REV

A

SH1.:

6 of 9



NOTE
 1) FOR ALL " J " STYLE PACKING SEE DRAWING 117957,
 SHEETS 1 THRU 9.

3	110-000238-200	O-RING		8
	181-214214-477		858	
	181-214214-386		842	
	181-214214-374		845	
3	181-214214-370	PACKING	838	7
	001-010258-278		(SS)	
	001-010258-236		(STL)	
3	001-010258-313	ADAPTER	(BRZ)	6
	001-010266-278		(SS)	
	001-010266-235		(STL)	
3	001-010266-302	LANTERN RING	(BRZ)	5
	001-007979-278		(SS)	
	001-007979-235		(STL)	
3	001-007979-302	THROAT BUSHING	(BRZ)	4
	001-007983-278		(SS)	
	001-007983-235		(STL)	
	001-007983-302	FOLLOWER	(BRZ)	3
	002-007977-E16	<*>	(XSS)	
	001-007977-351		(DI)	
3	002-007977-261	GLAND NUT	(SS)	2
3	001-007986-201	BAFFLE DISC		1
(2-1/4" PLUNGER)				
REQ'D	Part No.	DESCRIPTION		ITEM
BILL OF MATERIAL				

<*> COATED STAINLESS STEEL

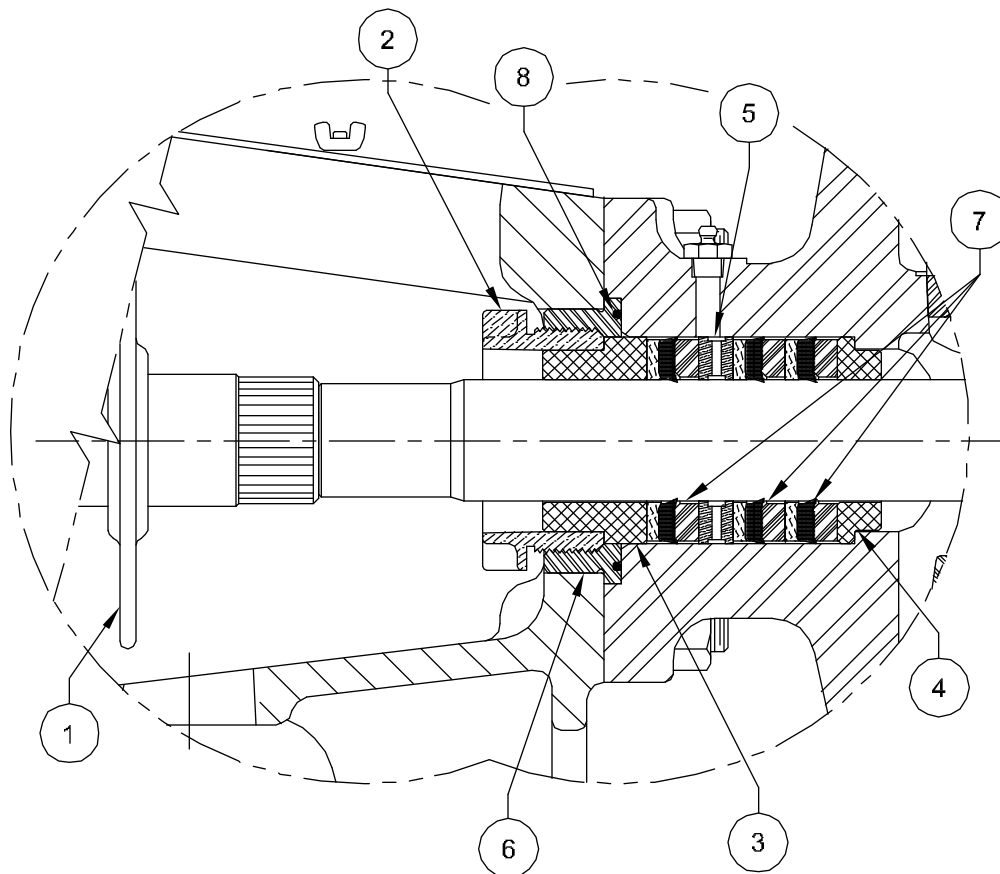
68



HOUSTON, TEXAS, U.S.A. ENGINEERING, TULSA, OKLAHOMA

TITLE:
 ASSEMBLY, PLUNGER KIT
 "J" STYLE PKG, 1-1/2" THRU 2-1/2" PLUNGER
 59T-3M (T365AM, T365M)

DWG No.:	117957	SCALE:	NONE	REV:	A	SHT.:	7 OF 9
----------	--------	--------	------	------	---	-------	--------



NOTE
 1) FOR ALL " J " STYLE PACKING SEE DRAWING 117957,
 SHEETS 1 THRU 9.

3	110-000238-200	O-RING		8
	181-238244-477		858	
	181-238244-386		842	
	181-238244-374		845	
3	181-238244-370	PACKING	838	7
	001-010258-278		(SS)	
	001-010258-236		(STL)	
3	001-010258-313	ADAPTER	(BRZ)	6
	001-028072-278		(SS)	
	001-028072-235		(STL)	
3	001-028072-302	LANTERN RING	(BRZ)	5
	001-024394-278		(SS)	
	001-024394-235		(STL)	
3	001-024394-302	THROAT BUSHING	(BRZ)	4
	001-024393-278		(SS)	
	001-024393-235		(STL)	
	001-024393-302	FOLLOWER	(BRZ)	3
	002-007977-E16	<*>	(XSS)	
	001-007977-351		(DI)	
3	002-007977-261	GLAND NUT	(SS)	2
3	001-007986-201	BAFFLE DISC		1
(2-3/8" PLUNGER)				
REQ'D	Part No.	DESCRIPTION		ITEM
BILL OF MATERIAL				

<*> COATED STAINLESS STEEL

69

NOV NATIONAL OILWELL VARCO

HOUSTON, TEXAS, U.S.A.

ENGINEERING, TULSA, OKLAHOMA

TITLE:

ASSEMBLY, PLUNGER KIT

"J" STYLE PKG, 1-1/2" THRU 2-1/2" PLUNGER

59T-3M (T365AM, T365M)

DWG No.:

117957

SCALE:

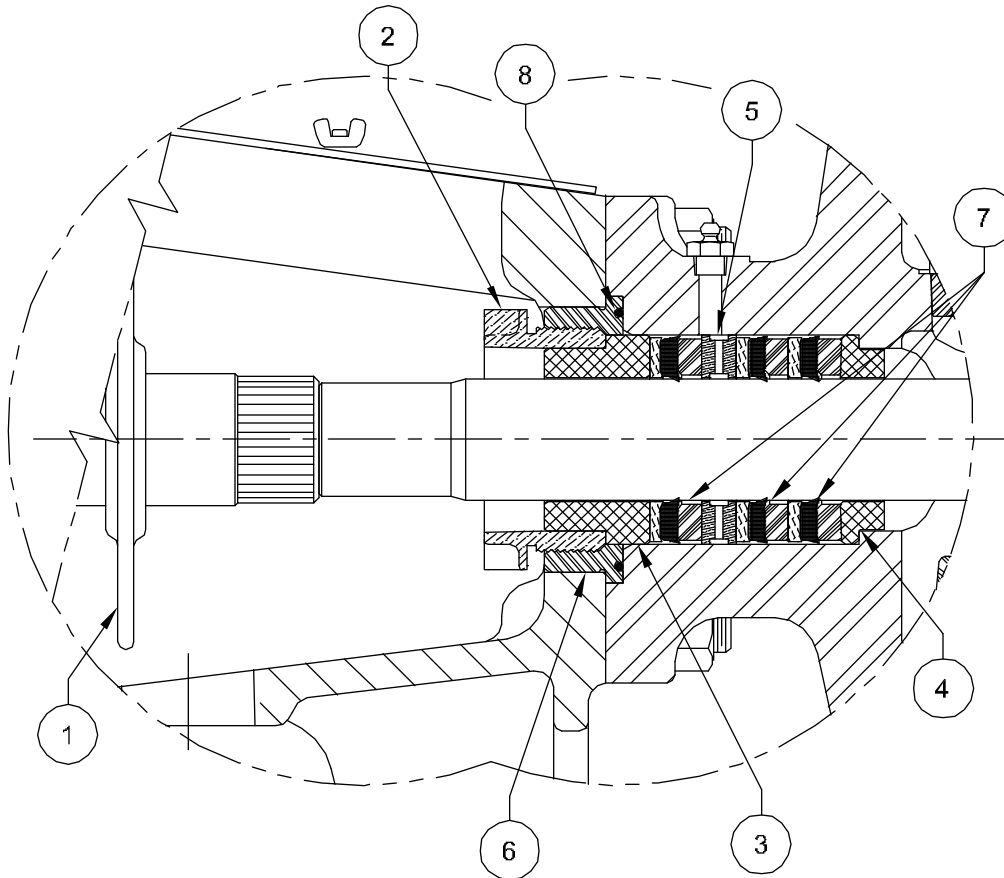
NONE

REV

A

SHT.:

8 OF 9



3	110-000238-200	O-RING		8
	181-212178-477		858	
	181-212178-386		842	
	181-212178-374		845	
3	181-212178-370	PACKING	838	7
	001-010258-278		(SS)	
	001-010258-236		(STL)	
3	001-010258-313	ADAPTER	(BRZ)	6
	001-010904-278		(SS)	
	001-010904-235		(STL)	
3	001-010904-302	LANTERN RING	(BRZ)	5
	001-025918-278		(SS)	
	001-025918-235		(STL)	
3	001-025918-302	THROAT BUSHING	(BRZ)	4
	001-008745-278		(SS)	
	001-008745-235		(STL)	
	001-008745-302	FOLLOWER	(BRZ)	3
	002-007977-E16	<*>	(XSS)	
	001-007977-351		(DI)	
3	002-007977-261	GLAND NUT	(SS)	2
3	001-007986-201	BAFFLE DISC		1
(2-1/2" PLUNGER)				
REQ'D	Part No.	DESCRIPTION		ITEM
BILL OF MATERIAL				

<*> COATED STAINLESS STEEL

NOTE

1) FOR ALL " J " STYLE PACKING SEE DRAWING 117957, SHEETS 1 THRU 9.

70

NOV NATIONAL OILWELL VARCO

HOUSTON, TEXAS, U.S.A.

ENGINEERING, TULSA, OKLAHOMA

TITLE:

ASSEMBLY, PLUNGER KIT
"J" STYLE PKG, 1-1/2" THRU 2-1/2" PLUNGER
59T-3M (T365AM, T365M)

DWG No.:

117957

SCALE:

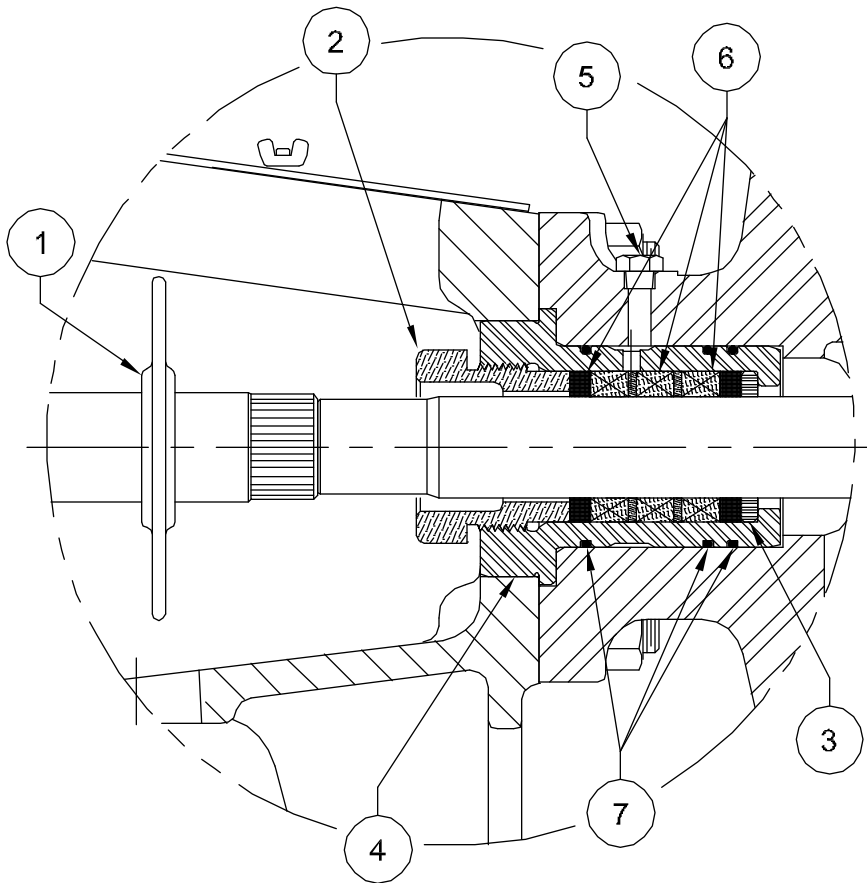
NONE

REV

A

SHT.:

9 OF 9



9	110-000232-200	O-RING		7
	287-112234-458		8921-K	
	287-112234-339		249	
	287-112234-337		241	
3	287-112234-395	PACKING	238	6
3	170-018002-278	PIPE PLUG	(SS)	5
	002-029316-278		(SS)	
	002-029316-237		(STL)	
3	002-029316-316	STUFFING BOX	(BRZ)	4
	001-010949-278		(SS)	
	001-010949-235		(STL)	
3	001-010949-302	THROAT BUSHING	(BRZ)	3
	ACC-013800-E16	<*>	(XSS)	
	001-011230-351		(DI)	
3	001-011230-304	GLAND NUT	(BRZ)	2
3	001-007986-201	BAFFLE DISC		1
(1-1/2" PLUNGER)				
REQ'D	Part No.	DESCRIPTION		ITEM
BILL OF MATERIAL				

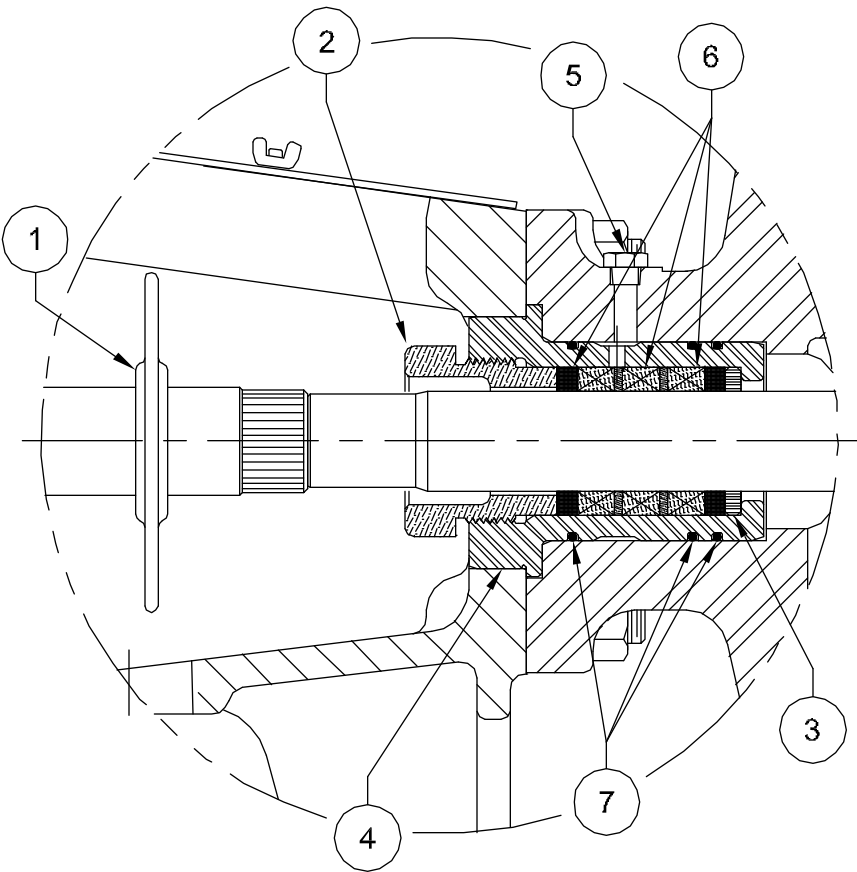
<*> COATED STAINLESS STEEL

NOTE
 1) FOR ALL " BRAID " STYLE PACKING SEE DRAWING 117958,
 SHEETS 1 THRU 9.

NOV NATIONAL OILWELL VARCO
 HOUSTON, TEXAS, U.S.A. ENGINEERING, TULSA, OKLAHOMA

TITLE:
 ASSEMBLY, PLUNGER KIT
 BRAID - STYLE PKG, 1-1/2" THRU 2-1/2" PLGR
 59T-3M (T365AM, T365M)

DWG No.:	SCALE:	REV	SHT.:
117958	NONE	A	1 OF 9



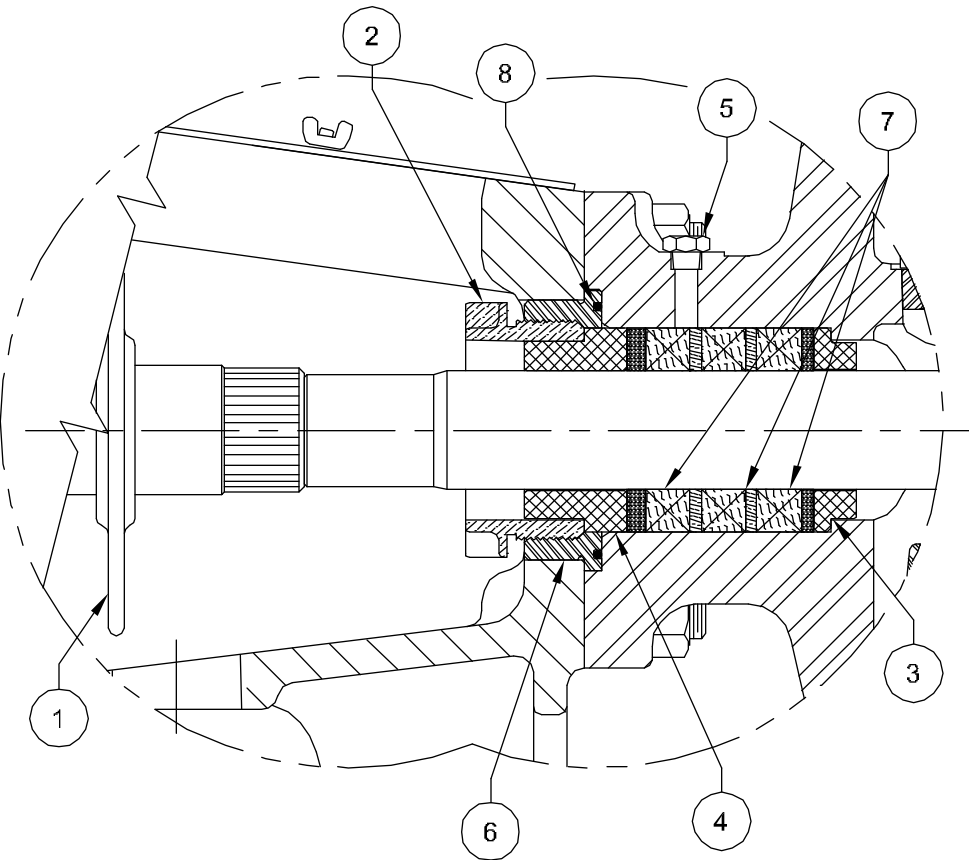
NOTE
 1) FOR ALL " BRAID " STYLE PACKING SEE DRAWING 117958,
 SHEETS 1 THRU 9.

9	110-000232-200	O-RING		7
	287-158234-458		8921-K	
	287-158234-339		249	
	287-158234-337		241	
3	287-158234-395	PACKING	238	6
3	170-018002-278	PIPE PLUG	(SS)	5
	002-029316-278		(SS)	
	002-029316-237		(STL)	
3	002-029316-316	STUFFING BOX	(BRZ)	4
	001-010962-278		(SS)	
	001-010962-235		(STL)	
3	001-010962-302	THROAT BUSHING	(BRZ)	3
	ABC-013800-E16	<*>	(XSS)	
	001-011231-351		(DI)	
3	001-011231-304	GLAND NUT	(BRZ)	2
3	001-007986-201	BAFFLE DISC		1
(1-5/8" PLUNGER)				
REQ'D	Part No.	DESCRIPTION	ITEM	
BILL OF MATERIAL				

<*> COATED STAINLESS STEEL

72

NOV NATIONAL OILWELL VARCO			
HOUSTON, TEXAS, U.S.A.		ENGINEERING, TULSA, OKLAHOMA	
TITLE: ASSEMBLY, PLUNGER KIT BRAID - STYLE PKG, 1-1/2" THRU 2-1/2" PLGR 59T-3M (T35AM, T365M)			
DWG No.:	SCALE:	REV	SHT.:
117958	NONE	A	2 OF 9



NOTE
 1) FOR ALL " BRAID " STYLE PACKING SEE DRAWING 117958,
 SHEETS 1 THRU 9.

3	110-000238-200	O-RING		8
	288-134234-458		8921-K	
	288-134234-339		249	
	288-134234-337		241	
3	288-134234-395	PACKING	238	7
	001-010258-278		(SS)	
	001-010258-236		(STL)	
3	001-010258-313	ADAPTER	(BRZ)	6
3	170-018002-278	PIPE PLUG	(SS)	5
	001-010933-278		(SS)	
	001-010933-235		(STL)	
3	001-010933-302	FOLLOWER	(BRZ)	4
	001-010897-278		(SS)	
	001-010897-235		(STL)	
3	001-010897-302	THROAT BUSHING	(BRZ)	3
	002-007977-E16	<*>	(XSS)	
	001-007977-351		(DI)	
3	002-007977-261	GLAND NUT	(SS)	2
3	001-007986-201	BAFFLE DISC		1
(1-3/4 PLUNGER)				
REQ'D	Part No.	DESCRIPTION		ITEM
BILL OF MATERIAL				

<*> COATED STAINLESS STEEL

73

NOV NATIONAL OILWELL VARCO

HOUSTON, TEXAS, U.S.A.

ENGINEERING, TULSA, OKLAHOMA

TITLE:

ASSEMBLY, PLUNGER KIT
 BRAID - STYLE PKG, 1-1/2" THRU 2-1/2" PLGR
 59T-3M (T365AM, T365M)

DWG No.:

117958

SCALE:

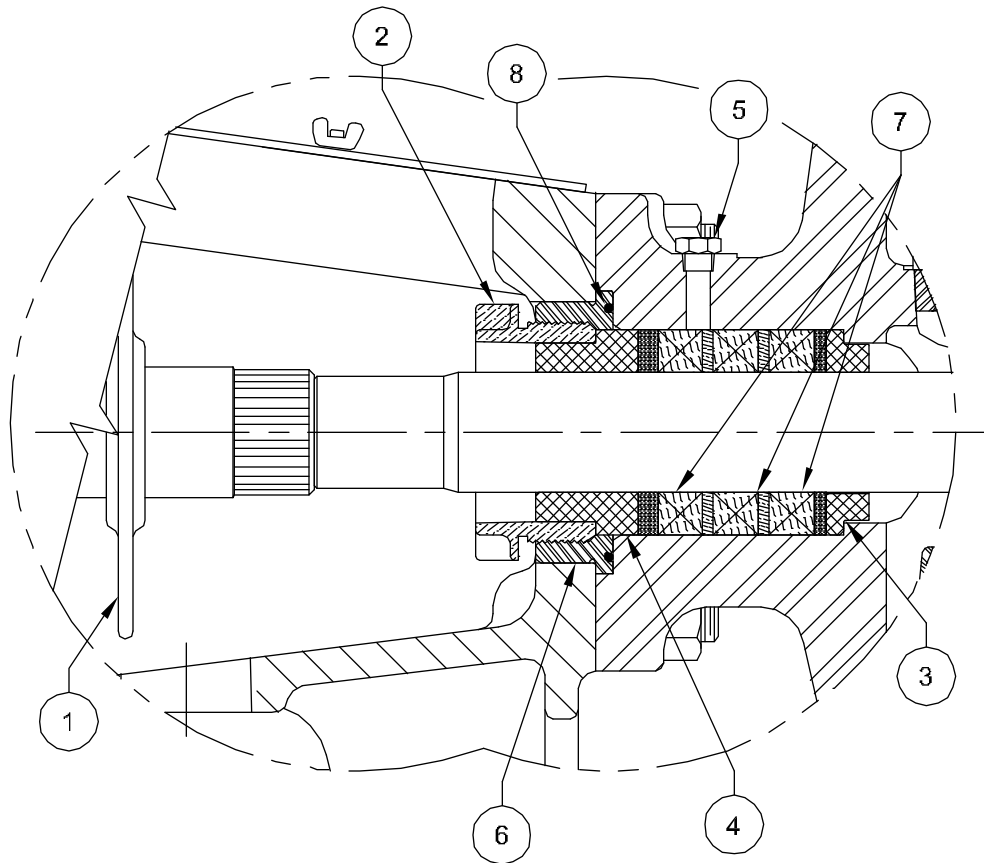
NONE

REV

A

SHT.:

3 OF 9



NOTE

1) FOR ALL " BRAID " STYLE PACKING SEE DRAWING 117958, SHEETS 1 THRU 9.

3	110-000238-200	O-RING		8
	288-178234-458		8921-K	
	288-178234-339		249	
	288-178234-337		241	
3	288-178234-395	PACKING	238	7
	001-010258-278		(SS)	
	001-010258-236		(STL)	
3	001-010258-313	ADAPTER	(BRZ)	6
3	170-018002-278	PIPE PLUG	(SS)	5
	001-014459-278		(SS)	
	001-014459-235		(STL)	
3	001-014459-302	FOLLOWER	(BRZ)	4
	001-010899-278		(SS)	
	001-010899-235		(STL)	
3	001-010899-302	THROAT BUSHING	(BRZ)	3
	002-007977-E16	<*>	(XSS)	
	001-007977-351		(DI)	
3	002-007977-261	GLAND NUT	(SS)	2
3	001-007986-201	BAFFLE DISC		1
(1-7/8" PLUNGER)				
REQ'D	Part No.	DESCRIPTION		ITEM
BILL OF MATERIAL				

<*> COATED STAINLESS STEEL



HOUSTON, TEXAS, U.S.A.

ENGINEERING, TULSA, OKLAHOMA

TITLE:

ASSEMBLY, PLUNGER KIT
BRAID - STYLE PKG, 1-1/2" THRU 2-1/2" PLGR
59T-3M (T365AM, T365M)

DWG No.:

117958

SCALE:

NONE

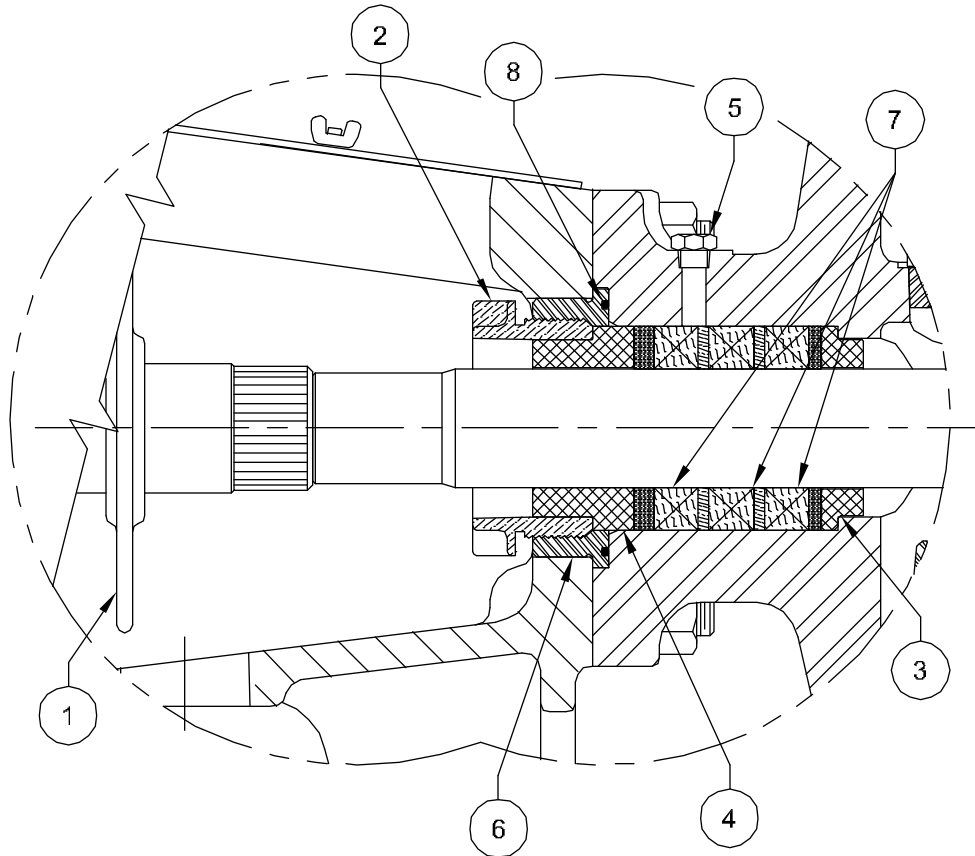
REV

A

SHT.:

4

OF 9



3	110-000238-200	O-RING		8
	288-200258-458		8921-K	
	288-200258-339		249	
	288-200258-337		241	
3	288-200258-395	PACKING	238	7
	001-010258-278		(SS)	
	001-010258-236		(STL)	
3	001-010258-313	ADAPTER	(BRZ)	6
3	170-018002-278	PIPE PLUG	(SS)	5
	001-010931-278		(SS)	
	001-010931-235		(STL)	
3	001-010931-302	FOLLOWER	(BRZ)	4
	001-010901-278		(SS)	
	001-010901-235		(STL)	
3	001-010901-302	THROAT BUSHING	(BRZ)	3
	002-007977-E16	<*>	(XSS)	
	001-007977-351		(DI)	
3	002-007977-261	GLAND NUT	(SS)	2
3	001-007986-201	BAFFLE DISC		1
(2" PLUNGER)				
REQ'D	Part No.	DESCRIPTION		ITEM
BILL OF MATERIAL				

<*> COATED STAINLESS STEEL

NOTE

1) FOR ALL " BRAID " STYLE PACKING SEE DRAWING 117958, SHEETS 1 THRU 9.

NOV NATIONAL OILWELL VARCO

HOUSTON, TEXAS, U.S.A.

ENGINEERING, TULSA, OKLAHOMA

TITLE:

ASSEMBLY, PLUNGER KIT
BRAID - STYLE PKG, 1-1/2" THRU 2-1/2" PLGR
59T-3M (T365AM, T365M)

DWG No.:

117958

SCALE:

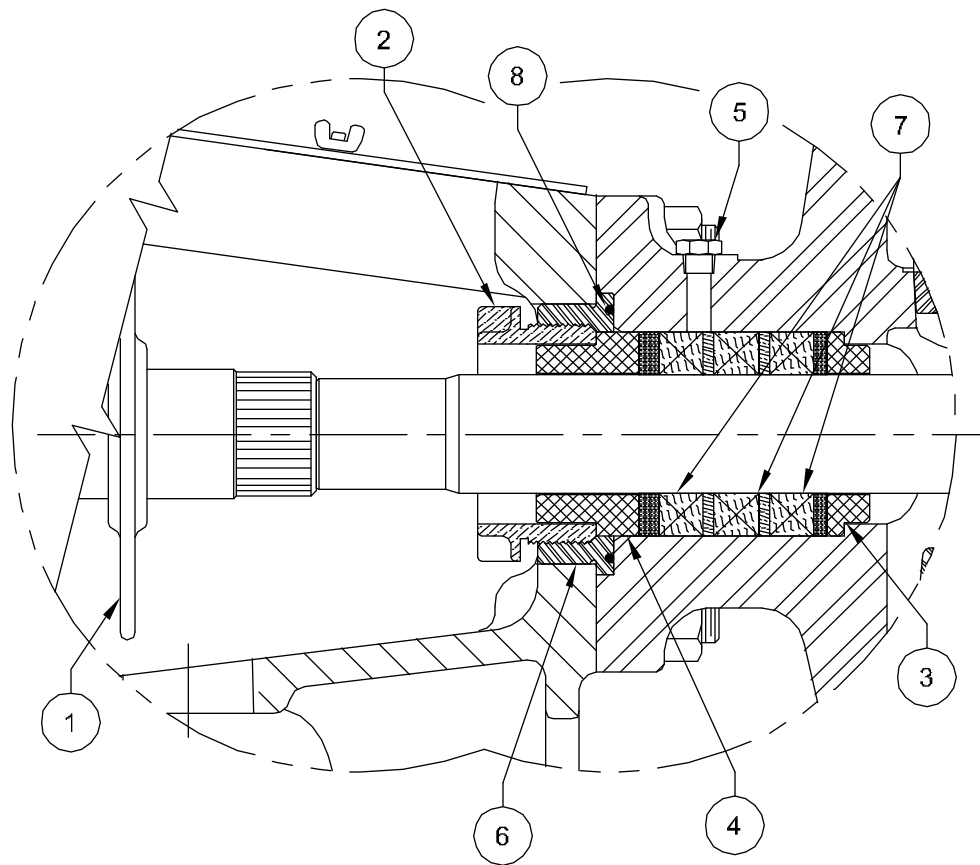
NONE

REV

A

SHT.:

5 OF 9



3	110-000238-200	O-RING		8
	288-218234-458		8921-K	
	288-218234-339		249	
	288-218234-337		241	
3	288-218234-395	PACKING	238	7
	001-010258-278		(SS)	
	001-010258-236		(STL)	
3	001-010258-313	ADAPTER	(BRZ)	6
3	170-018002-278	PIPE PLUG	(SS)	5
	001-014458-278		(SS)	
	001-014458-235		(STL)	
3	001-014458-302	FOLLOWER	(BRZ)	4
	001-010902-278		(SS)	
	001-010902-235		(STL)	
3	001-010902-302	THROAT BUSHING	(BRZ)	3
	002-007977-E16	<*>	(XSS)	
	001-007977-351		(DI)	
3	002-007977-261	GLAND NUT	(SS)	2
3	001-007986-201	BAFFLE DISC		1
(2-1/8" PLUNGER)				
REQ'D	Part No.	DESCRIPTION		ITEM

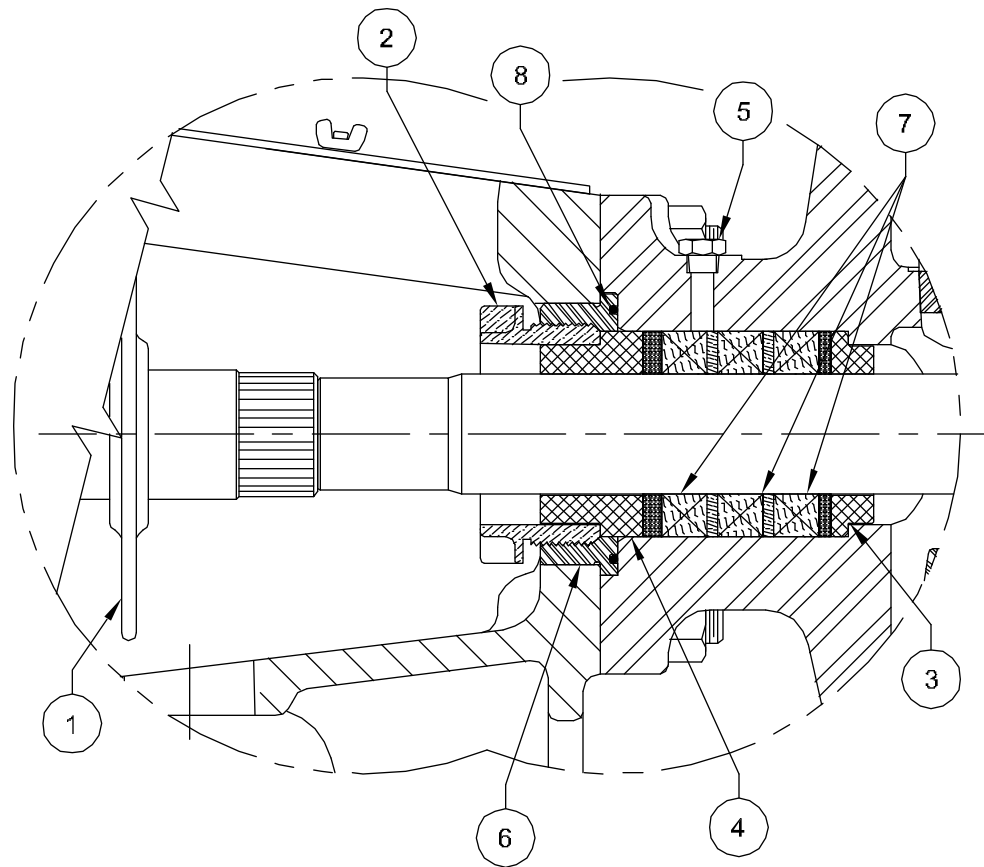
BILL OF MATERIAL

<*> COATED STAINLESS STEEL

NOTE

1) FOR ALL " BRAID " STYLE PACKING SEE DRAWING 117958, SHEETS 1 THRU 9.

NOV NATIONAL OILWELL VARCO			
HOUSTON, TEXAS, U.S.A.		ENGINEERING, TULSA, OKLAHOMA	
TITLE: ASSEMBLY, PLUNGER KIT BRAID - STYLE PKG, 1-1/2" THRU 2-1/2" PLGR 59T-3M (T365AM, T365M)			
DWG No.:	117958	SCALE:	NONE
REV	A	SHT.:	6 OF 9



NOTE
 1) FOR ALL " BRAID " STYLE PACKING SEE DRAWING 117958,
 SHEETS 1 THRU 9.

3	110-000238-200	O-RING		8
	288-214234-458		8921-K	
	288-214234-339		249	
	288-214234-337		241	
3	288-214234-395	PACKING	238	7
	001-010258-278		(SS)	
	001-010258-236		(STL)	
3	001-010258-313	ADAPTER	(BRZ)	6
3	170-018002-278	PIPE PLUG	(SS)	5
	001-007983-278		(SS)	
	001-007983-235		(STL)	
3	001-007983-302	FOLLOWER	(BRZ)	4
	001-007979-278		(SS)	
	001-007979-235		(STL)	
3	001-007979-302	THROAT BUSHING	(BRZ)	3
	002-007977-E16	<*>	(XSS)	
	001-007977-351		(DI)	
3	002-007977-261	GLAND NUT	(SS)	2
3	001-007986-201	BAFFLE DISC		1
(2-1/4" PLUNGER)				
REQ'D	Part No.	DESCRIPTION		ITEM
BILL OF MATERIAL				

<*> COATED STAINLESS STEEL

77

NOV NATIONAL OILWELL VARCO

HOUSTON, TEXAS, U.S.A.

ENGINEERING, TULSA, OKLAHOMA

TITLE:

ASSEMBLY, PLUNGER KIT
 BRAID - STYLE PKG, 1-1/2" THRU 2-1/2" PLGR
 59T-3M (T365AM, T365M)

DWG No.:

117958

SCALE:

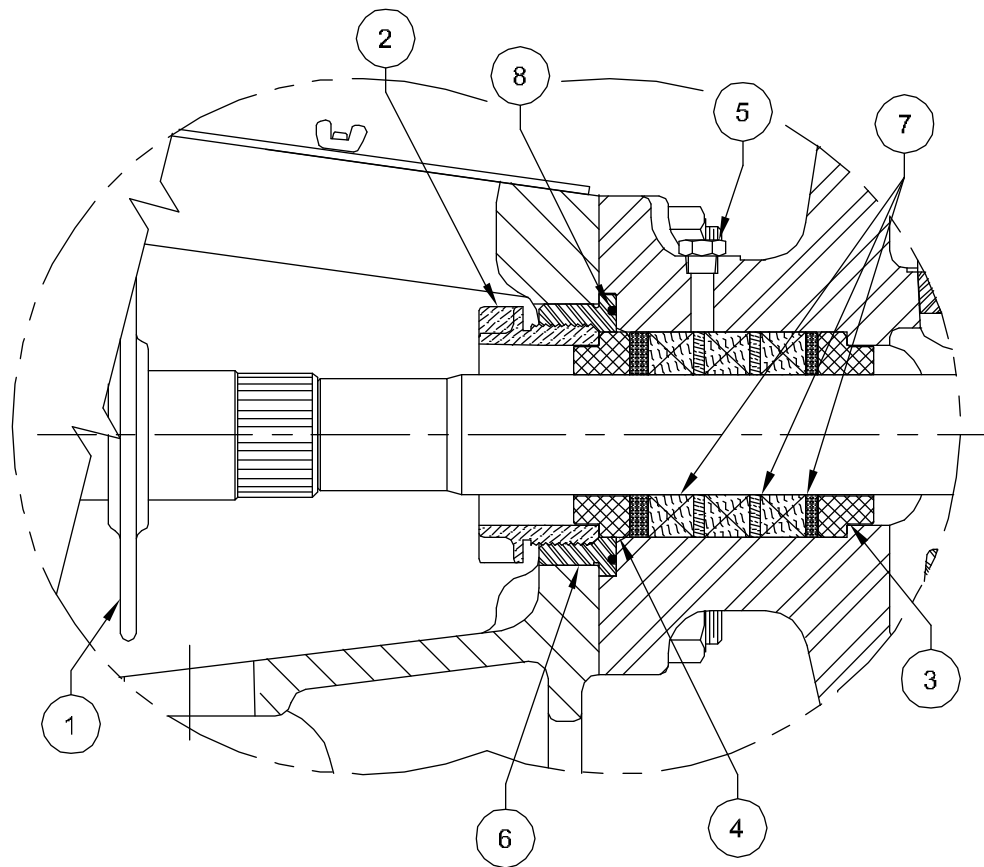
NONE

REV

A

SHT.:

7 OF 9



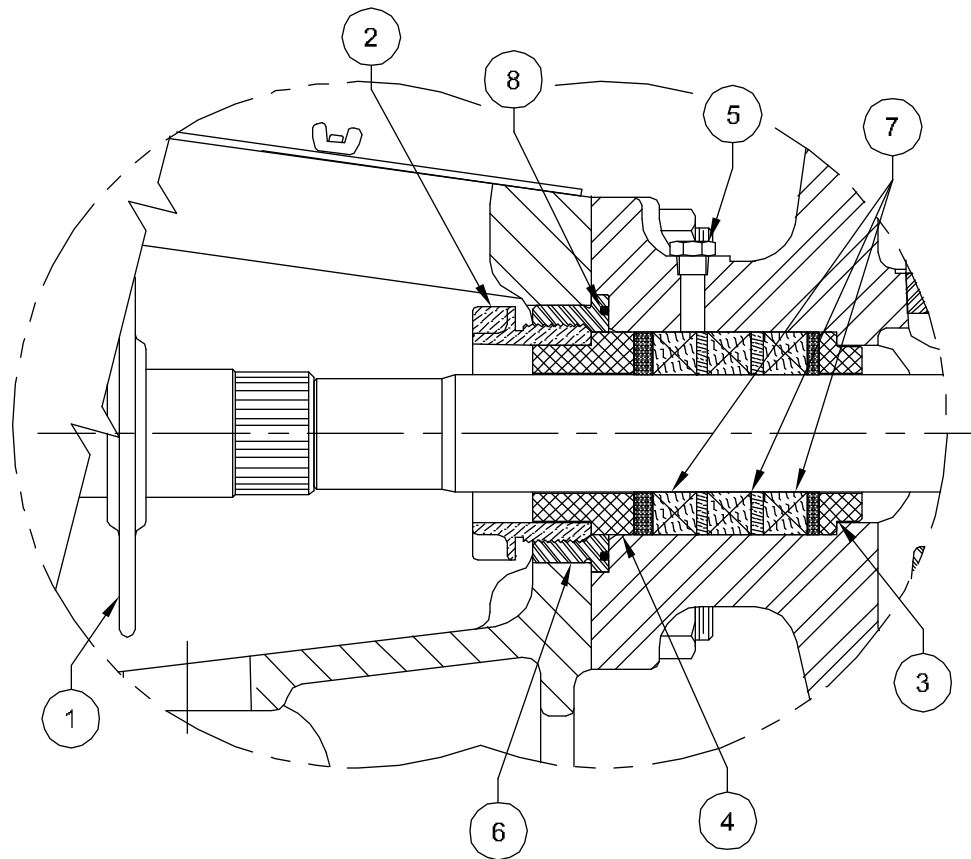
NOTE
 1) FOR ALL " BRAID " STYLE PACKING SEE DRAWING 117958,
 SHEETS 1 THRU 9.

3	110-000238-200	O-RING		8
	288-238234-458		8921-K	
	288-238234-339		249	
	288-238234-337		241	
3	288-238234-395	PACKING	238	7
	001-010258-278		(SS)	
	001-010258-236		(STL)	
3	001-010258-313	ADAPTER	(BRZ)	6
3	170-018002-278	PIPE PLUG	(SS)	5
	001-024393-278		(SS)	
	001-024393-235		(STL)	
3	001-024393-302	FOLLOWER	(BRZ)	4
	001-024394-278		(SS)	
	001-024394-235		(STL)	
3	001-024394-302	THROAT BUSHING	(BRZ)	3
	002-007977-E16	<*>	(XSS)	
	001-007977-351		(DI)	
3	002-007977-261	GLAND NUT	(SS)	2
3	001-007986-201	BAFFLE DISC		1
(2-3/8" PLUNGER)				
REQ'D	Part No.	DESCRIPTION		ITEM

BILL OF MATERIAL

<*> COATED STAINLESS STEEL

NOV NATIONAL OILWELL VARCO			
HOUSTON, TEXAS, U.S.A.		ENGINEERING, TULSA, OKLAHOMA	
TITLE:			
ASSEMBLY, PLUNGER KIT BRAID - STYLE PKG, 1-1/2" THRU 2-1/2" PLGR 59T-3M (T365AM, T365M)			
DWG No.:	117958	SCALE:	NONE
REV	A	SHT.:	8 OF 9



3	110-000238-200	O-RING		8
	288-212234-458		8921-K	
	288-212234-339		249	
	288-212234-337		241	
3	288-212234-395	PACKING	238	7
	001-010258-278		(SS)	
	001-010258-236		(STL)	
3	001-010258-313	ADAPTER	(BRZ)	6
3	170-018002-278	PIPE PLUG	(SS)	5
	001-008745-278		(SS)	
	001-008745-235		(STL)	
3	001-008745-302	FOLLOWER	(BRZ)	4
	001-025918-278		(SS)	
	001-025918-235		(STL)	
3	001-025918-302	THROAT BUSHING	(BRZ)	3
	002-007977-E16	<*>	(XSS)	
	001-007977-351		(DI)	
3	002-007977-261	GLAND NUT	(SS)	2
3	001-007986-201	BAFFLE DISC		1
(2-1/2 PLUNGER)				
REQ'D	Part No.	DESCRIPTION		ITEM

BILL OF MATERIAL

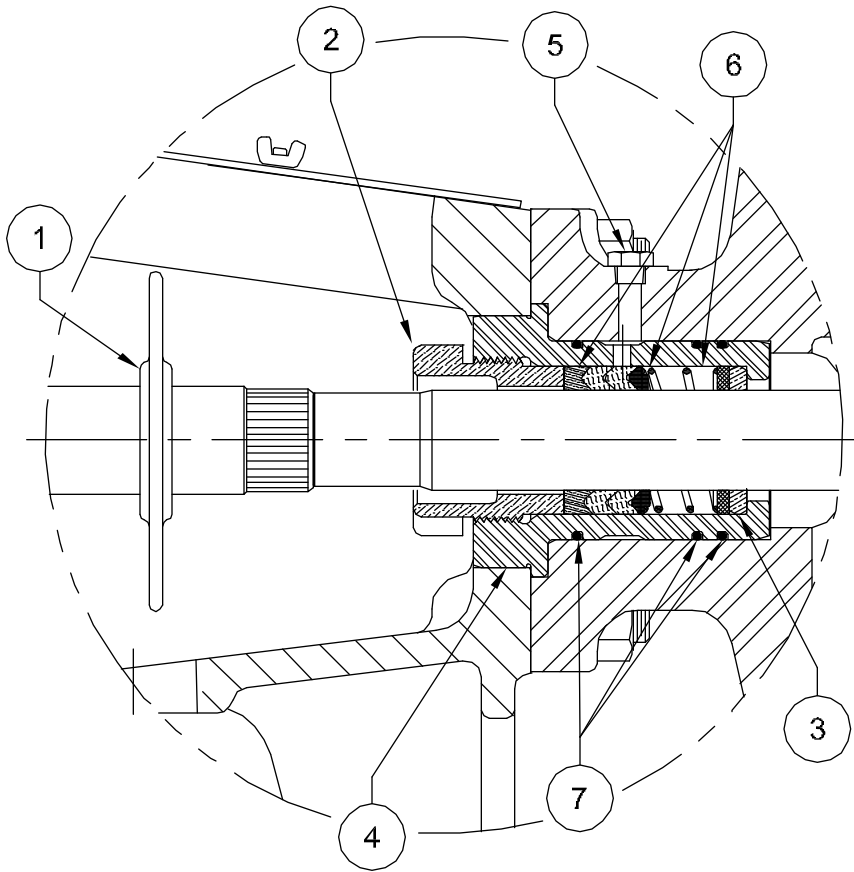
<*> COATED STAINLESS STEEL

79

NOTE

1) FOR ALL " BRAID " STYLE PACKING SEE DRAWING 117958, SHEETS 1 THRU 9.

NOV NATIONAL OILWELL VARCO	
HOUSTON, TEXAS, U.S.A.	ENGINEERING, TULSA, OKLAHOMA
TITLE: ASSEMBLY, PLUNGER KIT BRAID - STYLE PKG, 1-1/2" THRU 2-1/2" PLGR 59T-3M (T365AM, T365M)	
DWG No.: 117958	SCALE: NONE REV A SHT.: 9 OF 9



9	110-000232-200	O-RING		7
	432-112238-473		1043-4	
3	432-112238-340	PACKING	1068-4	6
	170-018002-220		(STL)	
3	170-018002-278	PIPE PLUG	(SS)	5
	002-029316-278		(SS)	
	002-029316-237		(STL)	
3	002-029316-316	STUFFING BOX	(BRZ)	4
	001-010949-575		(SS)	
	001-010949-235		(STL)	
3	001-010949-302	THROAT BUSHING	(BRZ)	3
	ACC-013800-E16	<*>	(XSS)	
	001-011230-351		(DI)	
3	001-011230-304	GLAND NUT	(BRZ)	2
3	001-007986-201	BAFFLE DISC		1
(1-1/2" PLUNGER)				
REQ'D	Part No.	DESCRIPTION		ITEM
BILL OF MATERIAL				

<*> COATED STAINLESS STEEL

80

NOTE

1) FOR ALL " SSF-4 " STYLE PACKING SEE DRAWING 117959, SHEETS 1 THRU 9.



HOUSTON, TEXAS, U.S.A.

ENGINEERING, TULSA, OKLAHOMA

TITLE:

ASSEMBLY, PLUNGER KIT
 "SSF-4" STYLE PKG, 1-1/2" THRU 2-1/2" PLGR
 59T-3M (T365AM, T365M)

DWG No.:

117959

SCALE:

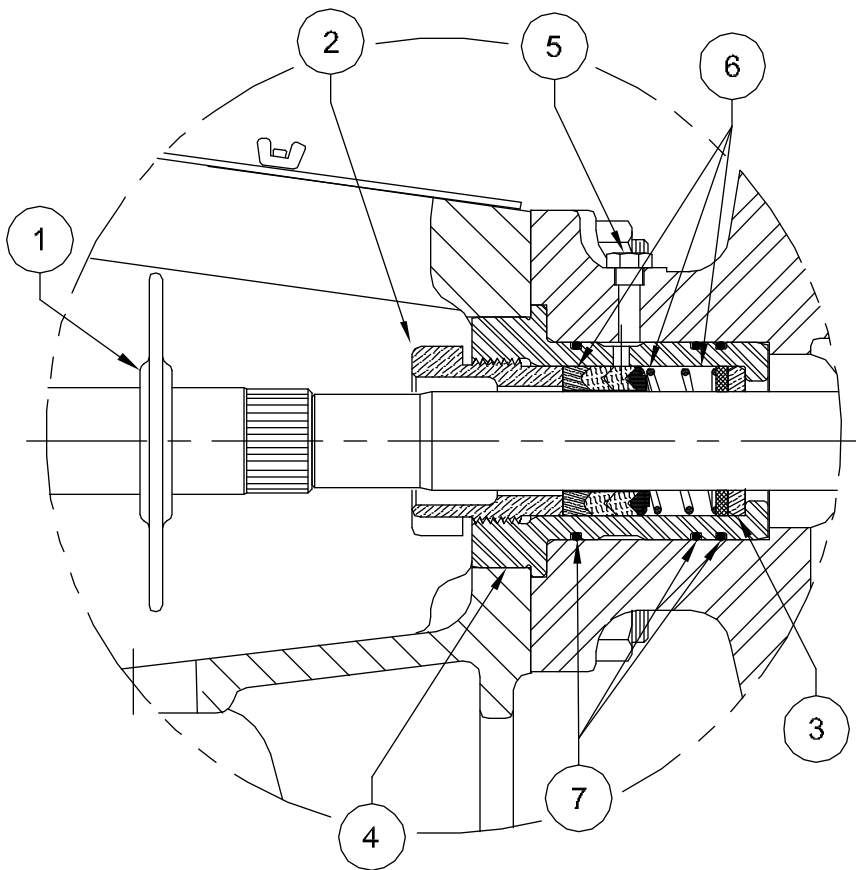
NONE

REV

A

SHT.:

1 of 9



NOTE
 1) FOR ALL "SSF-4" STYLE PACKING SEE DRAWING 117959,
 SHEETS 1 THRU 9.

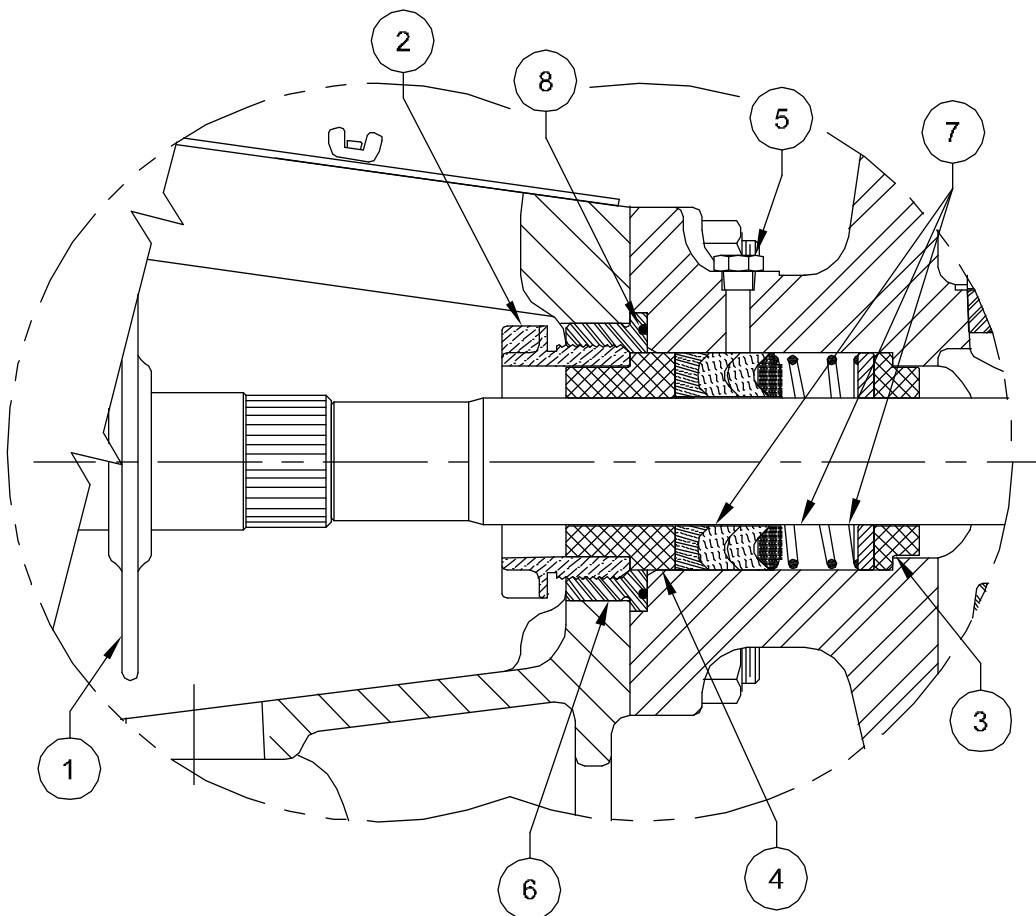
9	110-000232-200	O-RING		7
	432-158238-473		1043-4	
3	432-158238-340	PACKING	1068-4	6
3	170-018002-220		(STL)	
3	170-018002-278	PIPE PLUG	(SS)	5
	002-029316-278		(SS)	
	002-029316-237		(STL)	
3	002-029316-316	STUFFING BOX	(BRZ)	4
	001-010962-575		(SS)	
	001-010962-235		(STL)	
3	001-010962-302	THROAT BUSHING	(BRZ)	3
	ABC-013800-E16	<*>	(XSS)	
	001-011231-351		(DI)	
3	001-011231-304	GLAND NUT	(BRZ)	2
3	001-007986-201	BAFFLE DISC		1
(1-5/8" PLUNGER)				
REQ'D	Part No.	DESCRIPTION		ITEM
BILL OF MATERIAL				

<*> COATED STAINLESS STEEL

NOV NATIONAL OILWELL VARCO
 HOUSTON, TEXAS, U.S.A. ENGINEERING, TULSA, OKLAHOMA

TITLE:
ASSEMBLY, PLUNGER KIT
"SSF-4" STYLE PKG, 1-1/2" THRU 2-1/2" PLGR
59T-3M (T365AM, T365M)

DWG No.: 117959	SCALE: NONE	REV A	SHT.: 2 OF 9
--------------------	----------------	----------	-----------------



NOTE
 1) FOR ALL " SSF-4 " STYLE PACKING SEE DRAWING 117959,
 SHEETS 1 THRU 9.

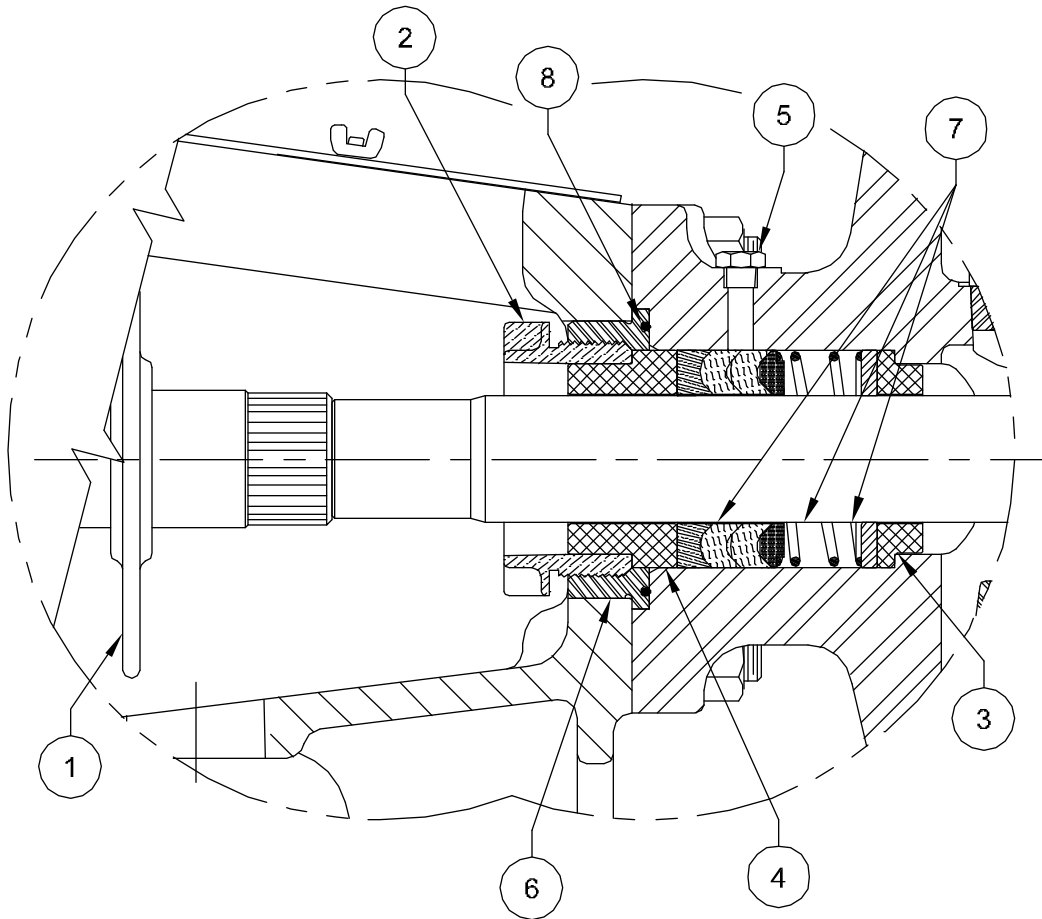
3	110-000238-200	O-RING		8
	428-134212-473		1043-4	
3	428-134212-340	PACKING	1068-4	7
	001-010258-278		(SS)	
	001-010258-236		(STL)	
3	001-010258-313	ADAPTER	(BRZ)	6
3	170-018002-220		(STL)	
3	170-018002-278	PIPE PLUG	(SS)	5
	001-010933-575		(SS)	
	001-010933-235		(STL)	
3	001-010933-302	FOLLOWER	(BRZ)	4
	001-010897-575		(SS)	
	001-010897-235		(STL)	
3	001-010897-302	THROAT BUSHING	(BRZ)	3
	002-007977-E16	<*>	(XSS)	
	001-007977-351		(DI)	
3	002-007977-261	GLAND NUT	(SS)	2
3	001-007986-201	BAFFLE DISC		1
(1-3/4" PLUNGER)				
REQ'D	Part No.	DESCRIPTION		ITEM
BILL OF MATERIAL				

<*> COATED STAINLESS STEEL

NOV NATIONAL OILWELL VARCO
 HOUSTON, TEXAS, U.S.A. ENGINEERING, TULSA, OKLAHOMA

TITLE:
ASSEMBLY, PLUNGER KIT
"SSF-4" STYLE PKG, 1-1/2" THRU 2-1/2" PLGR
59T-3M (T365AM, T365M)

DWG No.:	SCALE:	REV	SHT.:
117959	NONE	A	3 OF 9



3	110-000238-200	O-RING		8
	428-178212-473		1043-4	
3	428-178212-340	PACKING	1068-4	7
	001-010258-278		(SS)	
	001-010258-236		(STL)	
3	001-010258-313	ADAPTER	(BRZ)	6
3	170-018002-220		(STL)	
3	170-018002-278	PIPE PLUG	(SS)	5
	001-014459-575		(SS)	
	001-014459-235		(STL)	
3	001-014459-302	FOLLOWER	(BRZ)	4
	001-010899-575		(SS)	
	001-010899-235		(STL)	
3	001-010899-302	THROAT BUSHING	(BRZ)	3
	002-007977-E16	<*>	(XSS)	
	001-007977-351		(DI)	
3	002-007977-261	GLAND NUT	(SS)	2
3	001-007986-201	BAFFLE DISC		1

(1-7/8" PLUNGER)

REQ'D	Part No.	DESCRIPTION	ITEM

BILL OF MATERIAL

<*> COATED STAINLESS STEEL

NOTE

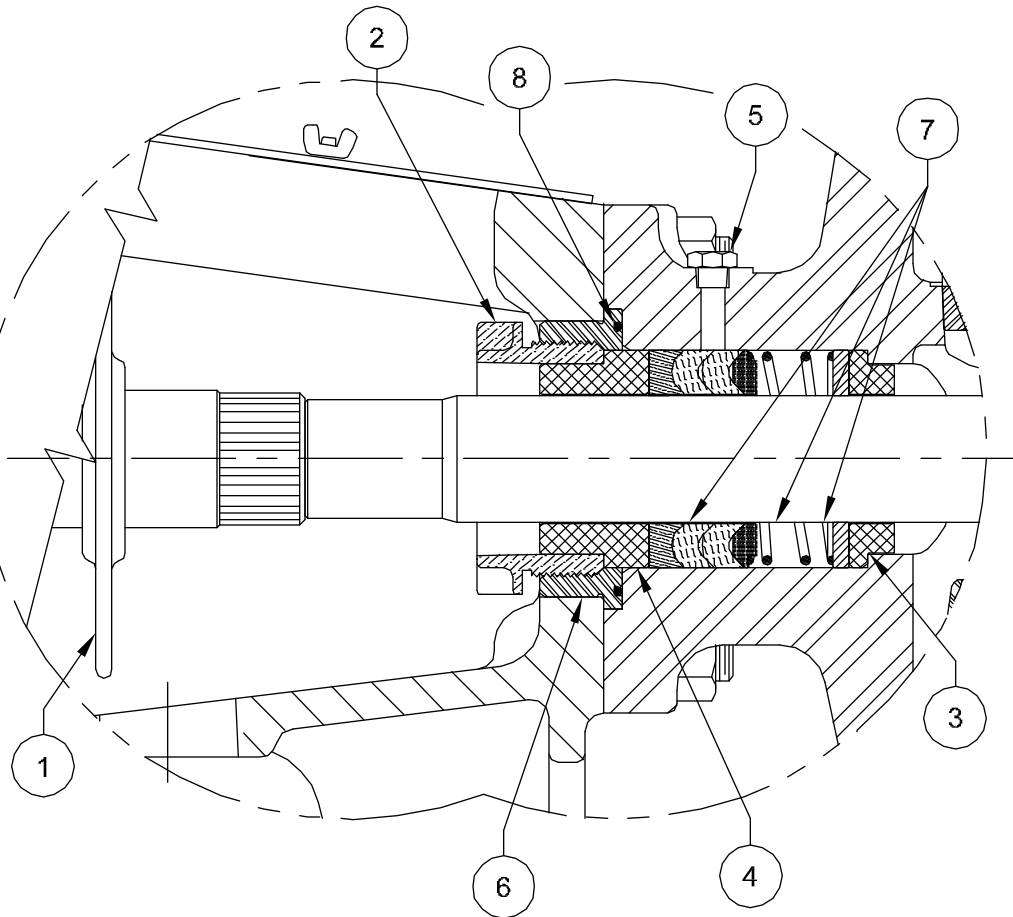
1) FOR ALL " SSF-4 " STYLE PACKING SEE DRAWING 117959, SHEETS 1 THRU 9.



HOUSTON, TEXAS, U.S.A. ENGINEERING, TULSA, OKLAHOMA

TITLE:
ASSEMBLY, PLUNGER KIT
"SSF-4" PKG, 1-1/2" THRU 2-1/2" PLGR
59T-3M (T365AM, T365M)

DWG No.:	SCALE:	REV	SH1.:
117959	NONE	A	4 OF 9



NOTE
 1) FOR ALL " SSF-4 " STYLE PACKING SEE DRAWING 117959,
 SHEETS 1 THRU 9.

3	110-000238-200	O-RING		8
	428-200238-473		1043-4	
3	428-200238-340	PACKING	1068-4	7
	001-010258-278		(SS)	
	001-010258-236		(STL)	
3	001-010258-313	ADAPTER	(BRZ)	6
3	170-018002-220		(STL)	
3	170-018002-278	PIPE PLUG	(SS)	5
	001-010931-575		(SS)	
	001-010931-235		(STL)	
3	001-010931-302	FOLLOWER	(BRZ)	4
	001-010901-575		(SS)	
	001-010901-235		(STL)	
3	001-010901-302	THROAT BUSHING	(BRZ)	3
	002-007977-E16	<*>	(XSS)	
	001-007977-351		(DI)	
3	002-007977-261	GLAND NUT	(SS)	2
3	001-007986-201	BAFFLE DISC		1
(2" PLUNGER)				
REQ'D	Part No.	DESCRIPTION		ITEM
BILL OF MATERIAL				

<*> COATED STAINLESS STEEL

84

NOV NATIONAL OILWELL VARCO

HOUSTON, TEXAS, U.S.A.

ENGINEERING, TULSA, OKLAHOMA

TITLE:

ASSEMBLY, PLUNGER KIT
 "SSF-4" STYLE PKG, 1-1/2" THRU 2-1/2" PLGR
 59T-3M (T365AM, T365M)

DWG No.:

117959

SCALE:

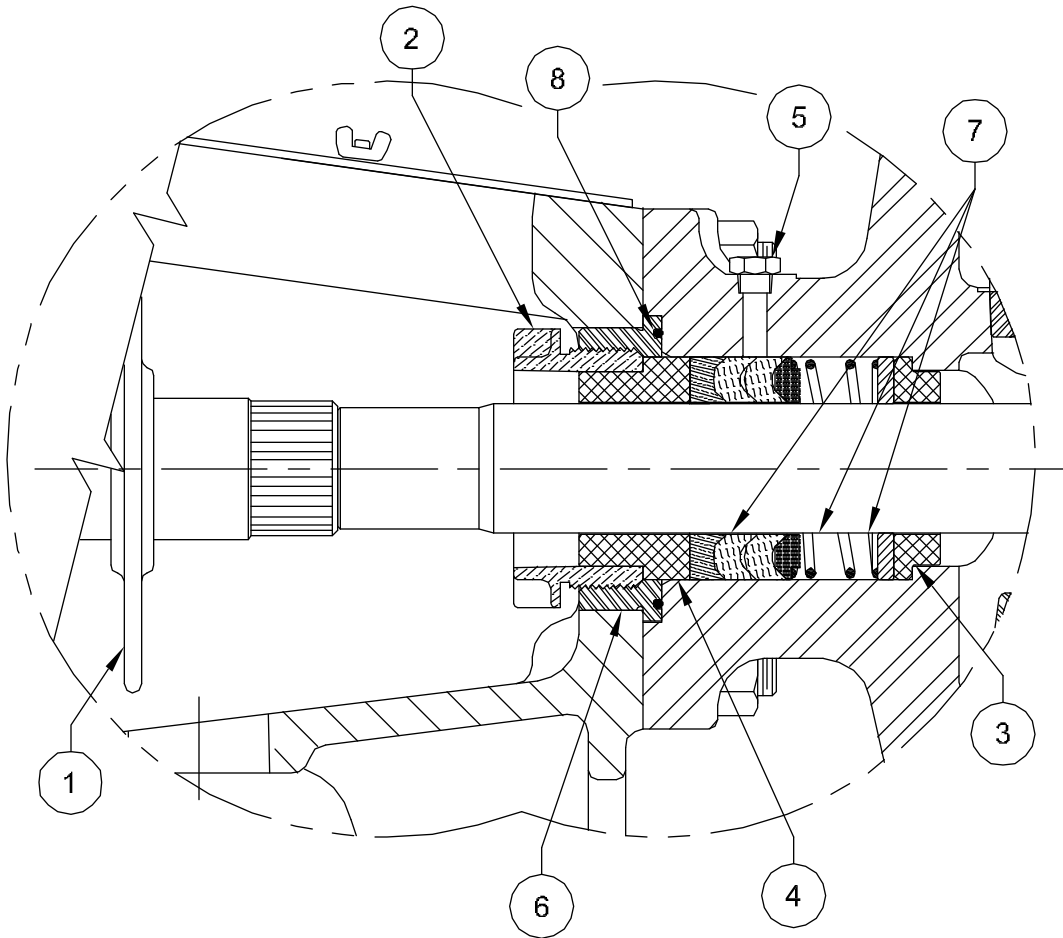
NONE

REV

A

SHI.:

5 OF 9



NOTE
 1) FOR ALL " SSF-4 " STYLE PACKING SEE DRAWING 117959,
 SHEETS 1 THRU 9.

3	110-000238-200	O-RING		8
	428-218212-473		1043-4	
3	428-218212-340	PACKING	1068-4	7
	001-010258-278		(SS)	
	001-010258-236		(STL)	
3	001-010258-313	ADAPTER	(BRZ)	6
	170-018002-220		(STL)	
3	170-018002-278	PIPE PLUG	(SS)	5
	001-014458-575		(SS)	
	001-014458-235		(STL)	
3	001-014458-302	FOLLOWER	(BRZ)	4
	001-010902-575		(SS)	
	001-010902-235		(STL)	
3	001-010902-302	THROAT BUSHING	(BRZ)	3
	002-007977-E16	<*>	(XSS)	
	001-007977-351		(DI)	
3	002-007977-261	GLAND NUT	(SS)	2
3	001-007986-201	BAFFLE DISC		1
(2-1/8" PLUNGER)				
REQ'D	Part No.	DESCRIPTION		ITEM
BILL OF MATERIAL				

<*> COATED STAINLESS STEEL

85

NOV NATIONAL OILWELL VARCO

HOUSTON, TEXAS, U.S.A.

ENGINEERING, TULSA, OKLAHOMA

TITLE:

ASSEMBLY, PLUNGER KIT
 "SSF-4" STYLE PKG, 1-1/2" THRU 2-1/2" PLGR
 59T-3M (T365AM, T365M)

DWG No.:

117959

SCALE:

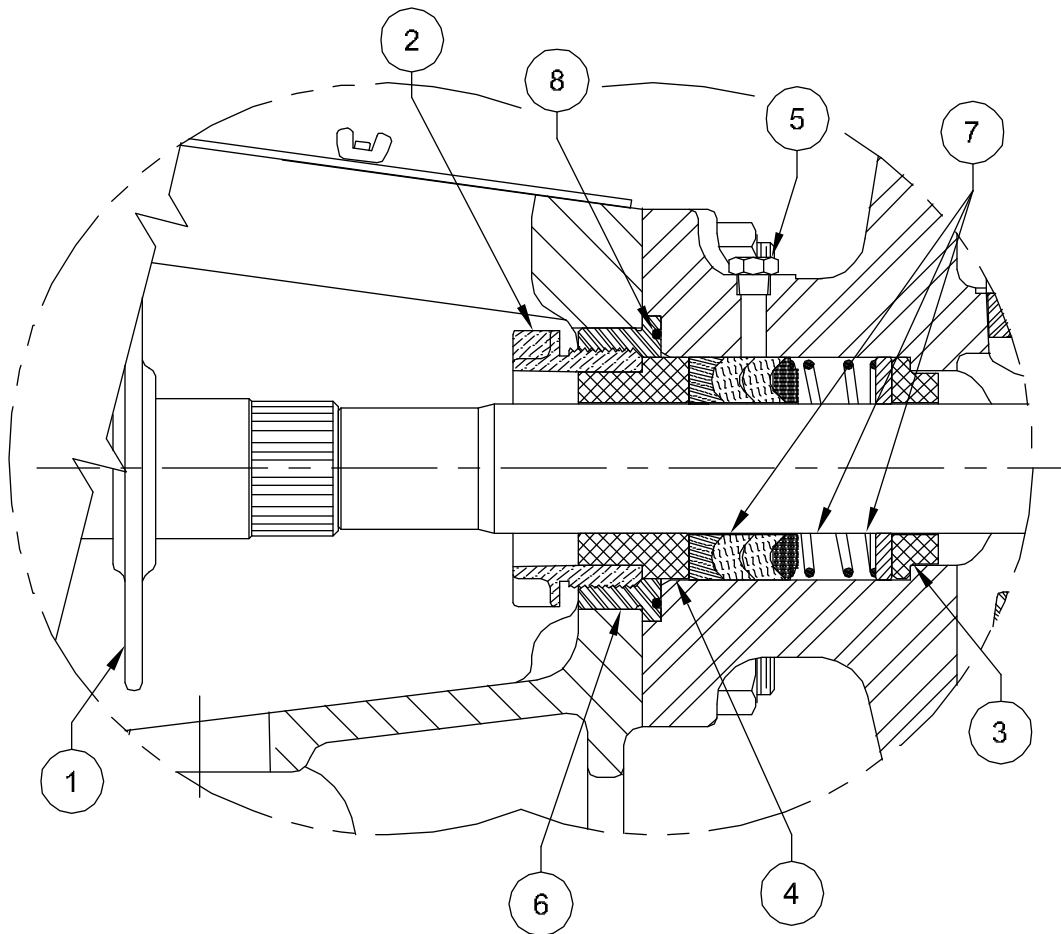
NONE

REV

A

SH1.:

6 OF 9



NOTE

1) FOR ALL " SSF-4 " STYLE PACKING SEE DRAWING 117959, SHEETS 1 THRU 9.

3	110-000238-200	O-RING		8
	428-214212-473		1043-4	
3	428-214212-340	PACKING	1068-4	7
	001-010258-278		(SS)	
	001-010258-236		(STL)	
3	001-010258-313	ADAPTER	(BRZ)	6
	170-018002-220		(STL)	
3	170-018002-278	PIPE PLUG	(SS)	5
	001-007983-575		(SS)	
	001-007983-235		(STL)	
3	001-007983-302	FOLLOWER	(BRZ)	4
	001-007979-575		(SS)	
	001-007979-235		(STL)	
3	001-007979-302	THROAT BUSHING	(BRZ)	3
	002-007977-E16	<*>	(XSS)	
	001-007977-351		(DI)	
3	002-007977-261	GLAND NUT	(SS)	2
3	001-007986-201	BAFFLE DISC		1
(2-1/4" PLUNGER)				
REQ'D	Part No.	DESCRIPTION		ITEM
BILL OF MATERIAL				

<*> COATED STAINLESS STEEL

NOV NATIONAL OILWELL VARCO

HOUSTON, TEXAS, U.S.A.

ENGINEERING, TULSA, OKLAHOMA

TITLE:

ASSEMBLY, PLUNGER KIT
 "SSF-4" STYLE PKG, 1-1/2" THRU 2-1/2" PLGR
 59T-3M (T365AM, T365M)

DWG No.:

117959

SCALE:

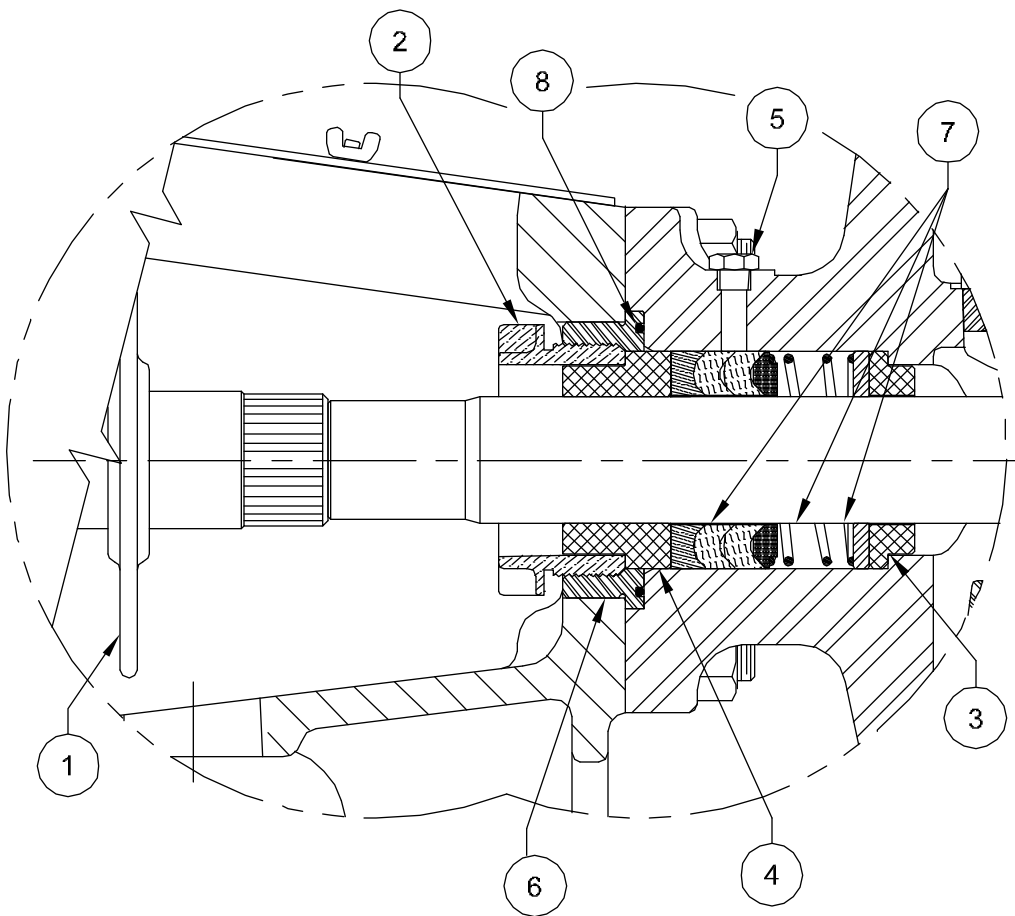
NONE

REV

A

SHT.:

7 of 9



3	110-000238-200	O-RING		8
	428-238212-473		1043-4	
3	428-238212-340	PACKING	1068-4	7
	001-010258-278		(SS)	
	001-010258-236		(STL)	
3	001-010258-313	ADAPTER	(BRZ)	6
	170-018002-220		(STL)	
3	170-018002-278	PIPE PLUG	(SS)	5
	001-024393-575		(SS)	
	001-024393-235		(STL)	
3	001-024393-302	FOLLOWER	(BRZ)	4
	001-024394-575		(SS)	
	001-024394-235		(STL)	
3	001-024394-302	THROAT BUSHING	(BRZ)	3
	002-007977-E16	<*>	(XSS)	
	001-007977-351		(DI)	
3	002-007977-261	GLAND NUT	(SS)	2
3	001-007986-201	BAFFLE DISC		1
(2-3/8 PLUNGER)				
REQ'D	Part No.	DESCRIPTION		ITEM
BILL OF MATERIAL				

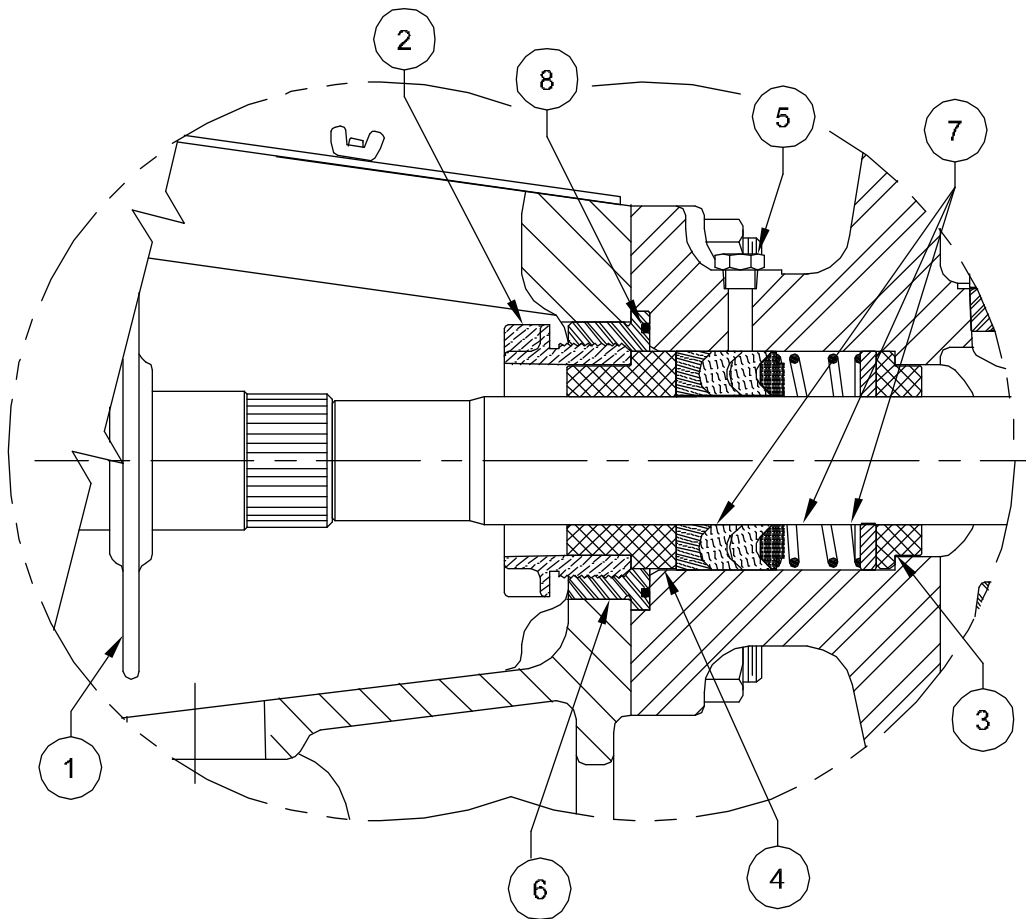
<*> COATED STAINLESS STEEL

NOTE
 1) FOR ALL " SSF-4 " STYLE PACKING SEE DRAWING 117959,
 SHEETS 1 THRU 9.

NOV NATIONAL OILWELL VARCO
 HOUSTON, TEXAS, U.S.A. ENGINEERING, TULSA, OKLAHOMA

TITLE:
 ASSEMBLY, PLUNGER KIT
 "SSF-4" STYLE PKG, 1-1/2" THRU 2-1/2" PLGR
 59T-3M (T365AM, T365M)

DWG No.: 117959 SCALE: NONE REV A SHT.: 8 OF 9



NOTE
 1) FOR ALL " SSF-4 " STYLE PACKING SEE DRAWING 117959,
 SHEETS 1 THRU 9.

3	110-000238-200	O-RING		8
	428-212244-473		1043-4	
3	428-212244-340	PACKING	1068-4	7
	001-010258-278		(SS)	
	001-010258-236		(STL)	
3	001-010258-313	ADAPTER	(BRZ)	6
	170-018002-220		(STL)	
3	170-018002-278	PIPE PLUG	(SS)	5
	001-008745-575		(SS)	
	001-008745-235		(STL)	
3	001-008745-302	FOLLOWER	(BRZ)	4
	001-025918-575		(SS)	
	001-025918-235		(STL)	
3	001-025918-302	THROAT BUSHING	(BRZ)	3
	002-007977-E16	<*>	(XSS)	
	001-007977-351		(DI)	
3	002-007977-261	GLAND NUT	(SS)	2
3	001-007986-201	BAFFLE DISC		1
(2-1/2 PLUNGER)				
REQ'D	Part No.	DESCRIPTION	ITEM	
BILL OF MATERIAL				

<*> COATED STAINLESS STEEL

88

NOV NATIONAL OILWELL VARCO

HOUSTON, TEXAS, U.S.A.

ENGINEERING, TULSA, OKLAHOMA

TITLE:

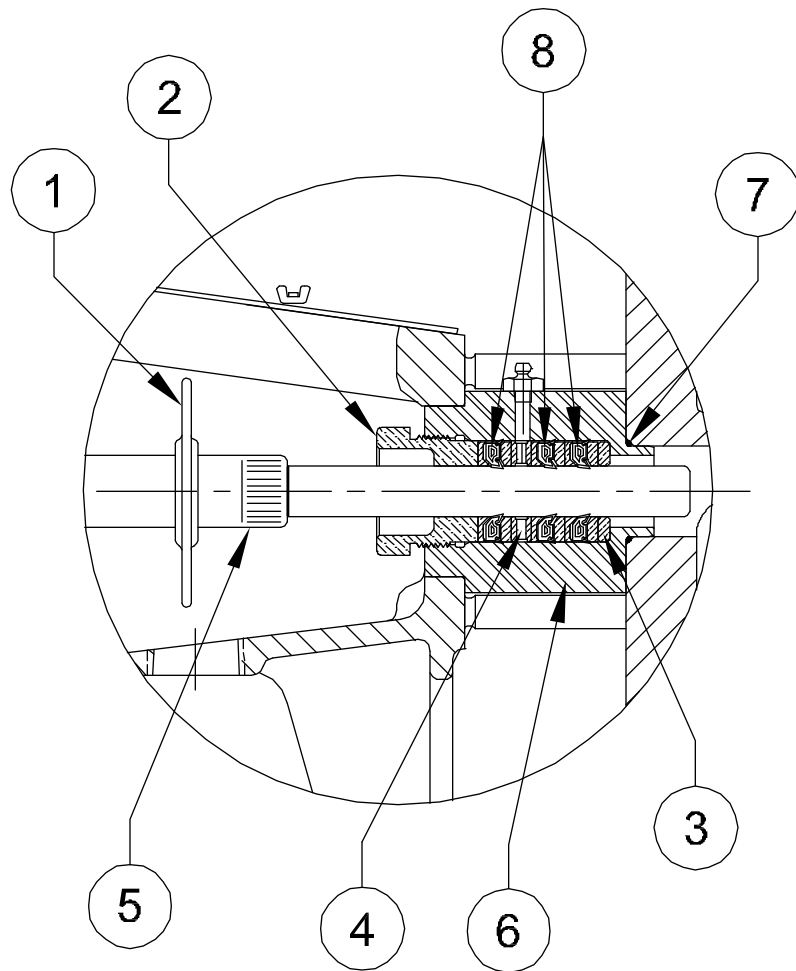
ASSEMBLY, PLUNGER KIT
 "SSF-4" STYLE PKG, 1-1/2" THRU 2-1/2" PLGR
 59T-3M (T365AM, T365M)

DWG No.: 117959

SCALE: NONE

REV A

SHT.: 9 OF 9



	182-118214-477		858	
	182-118214-374		845	
3	182-118214-370	PACKING	838	8
3	110-000226-200	O-RING		7
	AAC-117585-402		(SS)	
3	AAC-117585-270	STUFFING BOX	(STL)	6
3	001-009090-402	ADAPTER ROD	(SS)	5
	001-011211-278		(SS)	
	001-011211-235		(STL)	
3	001-011211-302	LANTERN RING	(BRZ)	4
	001-010961-278		(SS)	
	001-010961-235		(STL)	
3	001-010961-302	THROAT BUSHING	(BRZ)	3
	AFC-013800-E16	<*>	(XSS)	
	001-011227-351		(DI)	
3	001-011227-304	GLAND NUT	(BRZ)	2
3	001-007986-201	BAFFLE DISC		1
	(1-1/8" PLUNGER)			
REQ'D	Part No.	DESCRIPTION		ITEM
BILL OF MATERIAL				

<*> COATED STAINLESS STEEL

NOTE

1) FOR ALL "J" STYLE PACKING SEE DRAWING 118038 SHEETS 1 THRU 3.

NOV NATIONAL OILWELL VARCO

HOUSTON, TEXAS, U.S.A.

ENGINEERING, TULSA, OKLAHOMA

TITLE:

ASSEMBLY, PLUNGER KIT

"J" STYLE PKG, 1-1/8" THRU 1-3/8" PLUNGER

59T-3MSC (T385-2)

DWG No.:

118038

SCALE:

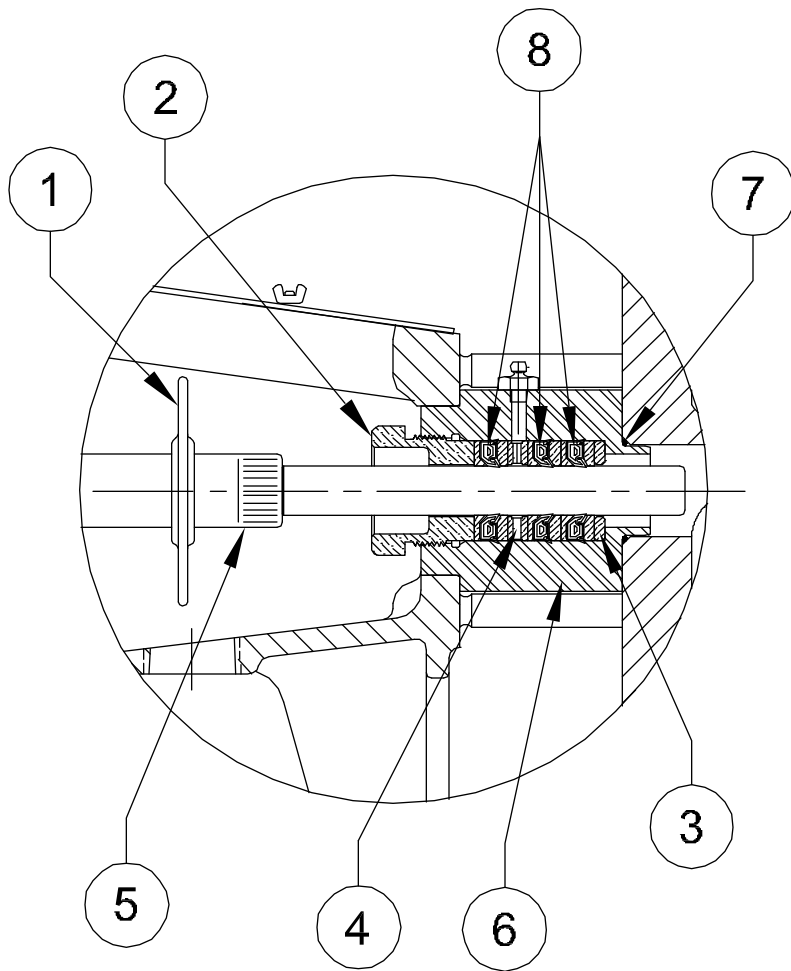
NONE

REV

A

SHT.:

1 OF 3



	182-114214-477		858	
	182-114214-374		845	
3	182-114214-370	PACKING	838	8
3	110-000226-200	O-RING		7
	AAC-117585-402		(SS)	
3	AAC-117585-270	STUFFING BOX	(STL)	6
3	001-010260-402	ADAPTER ROD	(SS)	5
	001-011212-278		(SS)	
	001-011212-235		(STL)	
3	001-011212-302	LANTERN RING	(BRZ)	4
	001-010950-278		(SS)	
	001-010950-235		(STL)	
3	001-010950-302	THROAT BUSHING	(BRZ)	3
	AEC-013800-E16	<*>	(XSS)	
	001-011228-351		(DI)	
3	001-011228-304	GLAND NUT	(BRZ)	2
3	001-007986-201	BAFFLE DISC		1
(1-1/4" PLUNGER)				
REQ'D	Part No.	DESCRIPTION		ITEM
BILL OF MATERIAL				

<*> COATED STAINLESS STEEL

NOTE

1) FOR ALL "J" STYLE PACKING SEE DRAWING 118038 SHEETS 1 THRU 3.

NOV NATIONAL OILWELL VARCO

HOUSTON, TEXAS, U.S.A.

ENGINEERING, TULSA, OKLAHOMA

TITLE:

ASSEMBLY, PLUNGER KIT

"J" STYLE PKG, 1-1/8" THRU 1-3/8" PLUNGER
59T-3MSC (T385-2)

DWG No.:

118038

SCALE:

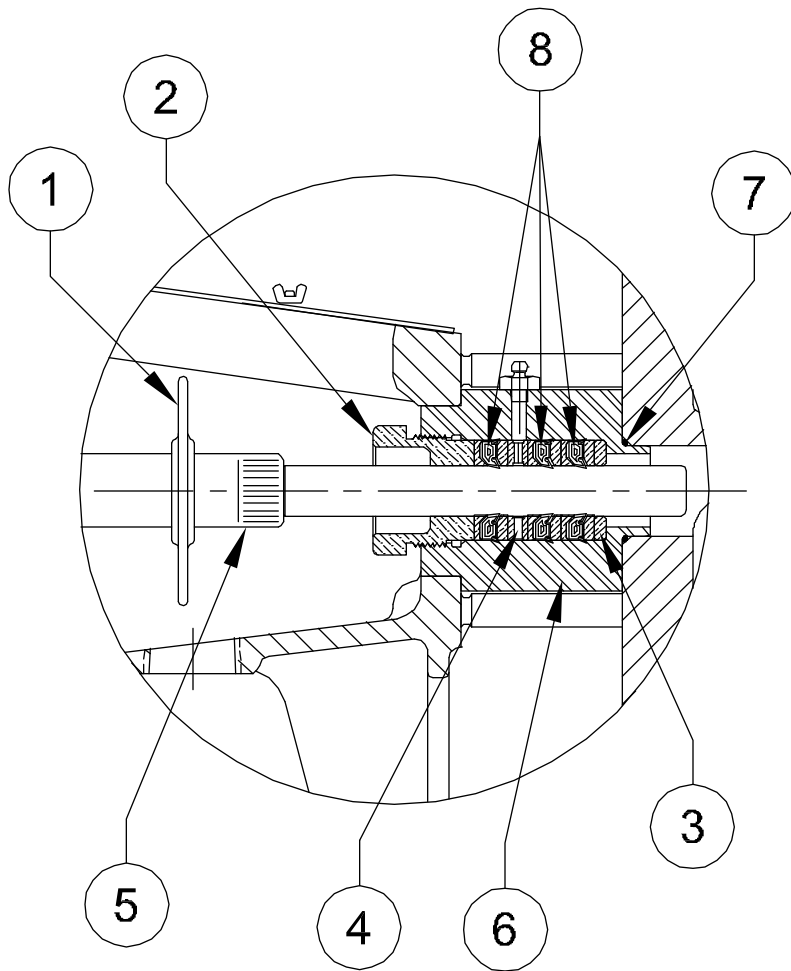
NONE

REV

A

SHT.:

2 OF 3



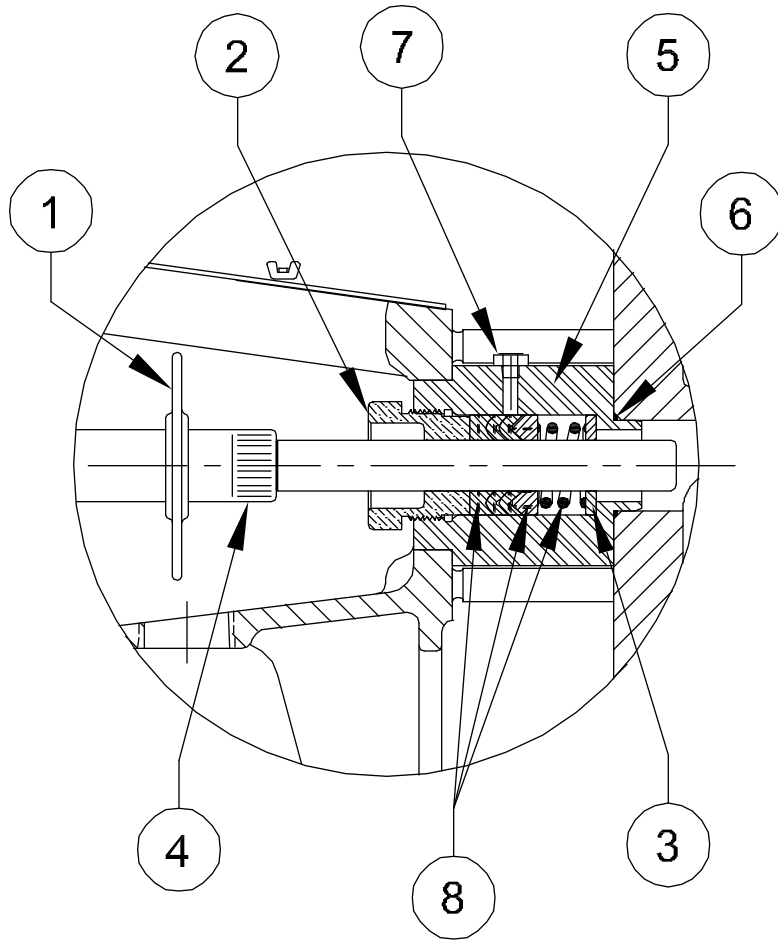
	182-138214-477		858	
	182-138214-374		845	
3	182-138214-370	PACKING	838	8
3	110-000226-200	O-RING		7
	AAC-117585-402		(SS)	
3	AAC-117585-270	STUFFING BOX	(STL)	6
3	001-010260-402	ADAPTER ROD	(SS)	5
	001-011221-278		(SS)	
	001-011221-235		(STL)	
3	001-011221-302	LANTERN RING	(BRZ)	4
	001-008913-278		(SS)	
	001-008913-235		(STL)	
3	001-008913-302	THROAT BUSHING	(BRZ)	3
	ADC-013800-E16	<*>	(XSS)	
	001-011229-351		(DI)	
3	001-011229-304	GLAND NUT	(BRZ)	2
3	001-007986-201	BAFFLE DISC		1
(1-3/8" PLUNGER)				
REQ'D	Part No.	DESCRIPTION		ITEM
BILL OF MATERIAL				

<*> COATED STAINLESS STEEL

NOTE

1) FOR ALL "J" STYLE PACKING SEE DRAWING 118038 SHEETS 1 THRU 3.

NOV NATIONAL OILWELL VARCO			
HOUSTON, TEXAS, U.S.A.		ENGINEERING, TULSA, OKLAHOMA	
TITLE:			
ASSEMBLY, PLUNGER KIT "J" STYLE PKG, 1-1/8" THRU 1-3/8" PLUNGER 59T-3MSC (T385-2)			
DWG No.:	SCALE:	REV	SHT.:
118038	NONE	A	3 OF 3



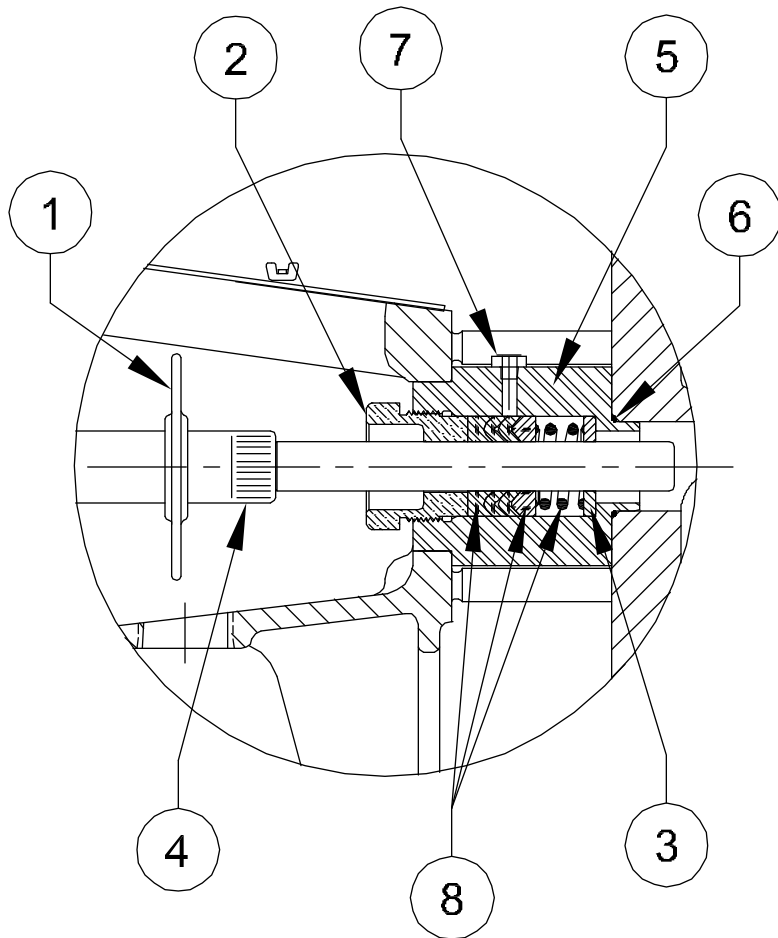
	432-118238-473		1043-4	
3	432-118238-340	PACKING	1068-4	8
3	170-018002-278	PIPE PLUG	(SS)	7
3	110-000226-200	O-RING		6
	AAC-117585-402		(SS)	
3	AAC-117585-270	STUFFING BOX	(STL)	5
3	001-009090-402	ADAPTER ROD	(SS)	4
	001-010961-278		(SS)	
	001-010961-235		(STL)	
3	001-010961-302	THROAT BUSHING	(BRZ)	3
	AFC-013800-E16	<*>	(XSS)	
	001-011227-351		(DI)	
3	001-011227-304	GLAND NUT	(BRZ)	2
3	001-007986-201	BAFFLE DISC		1
(1-1/8" PLUNGER)				
REQ'D	Part No.	DESCRIPTION		ITEM
BILL OF MATERIAL				

<*> COATED STAINLESS STEEL

NOTE

1) FOR ALL "SSF-4" STYLE PACKING SEE DRAWING 118037 SHEETS 1 THRU 3.

NOV NATIONAL OILWELL VARCO			
HOUSTON, TEXAS, U.S.A.		ENGINEERING, TULSA, OKLAHOMA	
TITLE:			
ASSEMBLY, PLUNGER KIT "SSF-4" STYLE PKG, 1-1/8" THRU 1-3/8" PLGR 59T-3MSC (T385-2)			
DWG No.:	SCALE:	REV	SHT.:
118037	NONE	A	1 OF 3



	432-114238-473		1043-4	
3	432-114238-340	PACKING	1068-4	8
3	170-018002-278	PIPE PLUG	(SS)	7
3	110-000226-200	O-RING		6
	AAC-117585-402		(SS)	
3	AAC-117585-270	STUFFING BOX	(STL)	5
3	001-010260-402	ADAPTER ROD	(SS)	4
	001-010950-278		(SS)	
	001-010950-235		(STL)	
3	001-010950-302	THROAT BUSHING	(BRZ)	3
	AEC-013800-E16	<*>	(XSS)	
	001-011228-351		(DI)	
3	001-011228-304	GLAND NUT	(BRZ)	2
3	001-007986-201	BAFFLE DISC		1

(1-1/4" PLUNGER)

REQ'D	Part No.	DESCRIPTION	ITEM
-------	----------	-------------	------

BILL OF MATERIAL

<*> COATED STAINLESS STEEL

NOTE

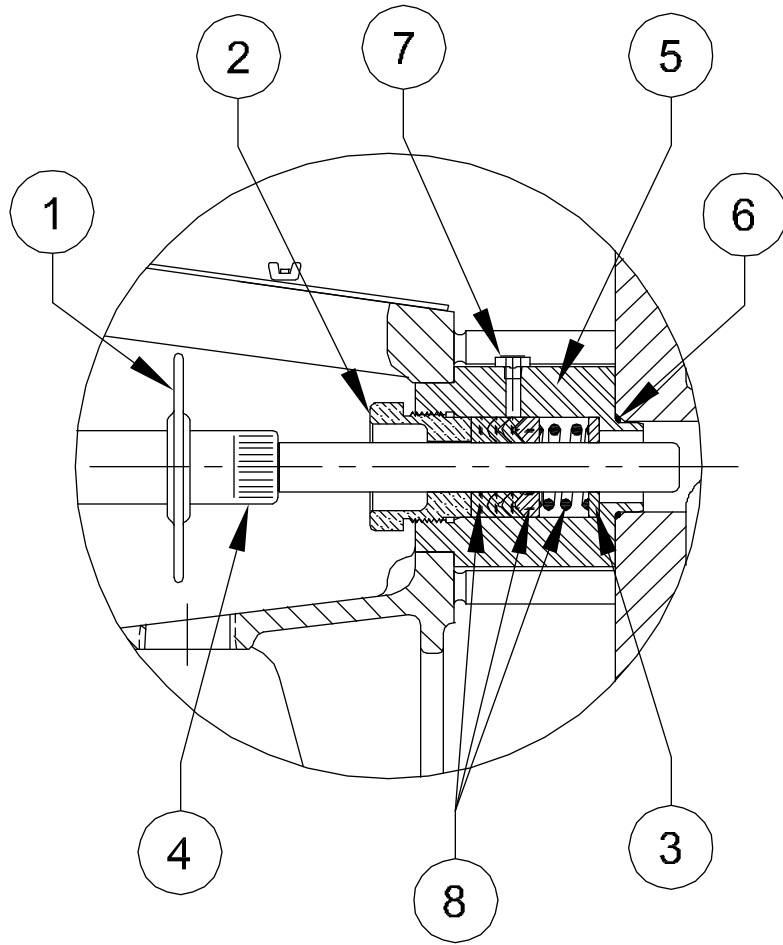
1) FOR ALL "SSF-4" STYLE PACKING SEE DRAWING 118037 SHEETS 1 THRU 3.



HOUSTON, TEXAS, U.S.A. ENGINEERING, TULSA, OKLAHOMA

TITLE:
 ASSEMBLY, PLUNGER KIT
 "SSF-4" STYLE PKG, 1-1/8" THRU 1-3/8" PLGR
 59T-3MSC (T385-2)

DWG No.:	118037	SCALE:	NONE	REV:	A	SHT.:	2	OF	3
----------	--------	--------	------	------	---	-------	---	----	---



	432-138238-473		1043-4	
3	432-138238-340	PACKING	1068-4	8
3	170-018002-278	PIPE PLUG	(SS)	7
3	110-000226-200	O-RING		6
	AAC-117585-402		(SS)	
3	AAC-117585-270	STUFFING BOX	(STL)	5
3	001-010260-402	ADAPTER ROD	(SS)	4
	001-008913-278		(SS)	
	001-008913-235		(STL)	
3	001-008913-302	THROAT BUSHING	(BRZ)	3
	ADC-013800-E16	<*>	(XSS)	
	001-011229-351		(DI)	
3	001-011229-304	GLAND NUT	(BRZ)	2
3	001-007986-201	BAFFLE DISC		1

(1-3/8" PLUNGER)

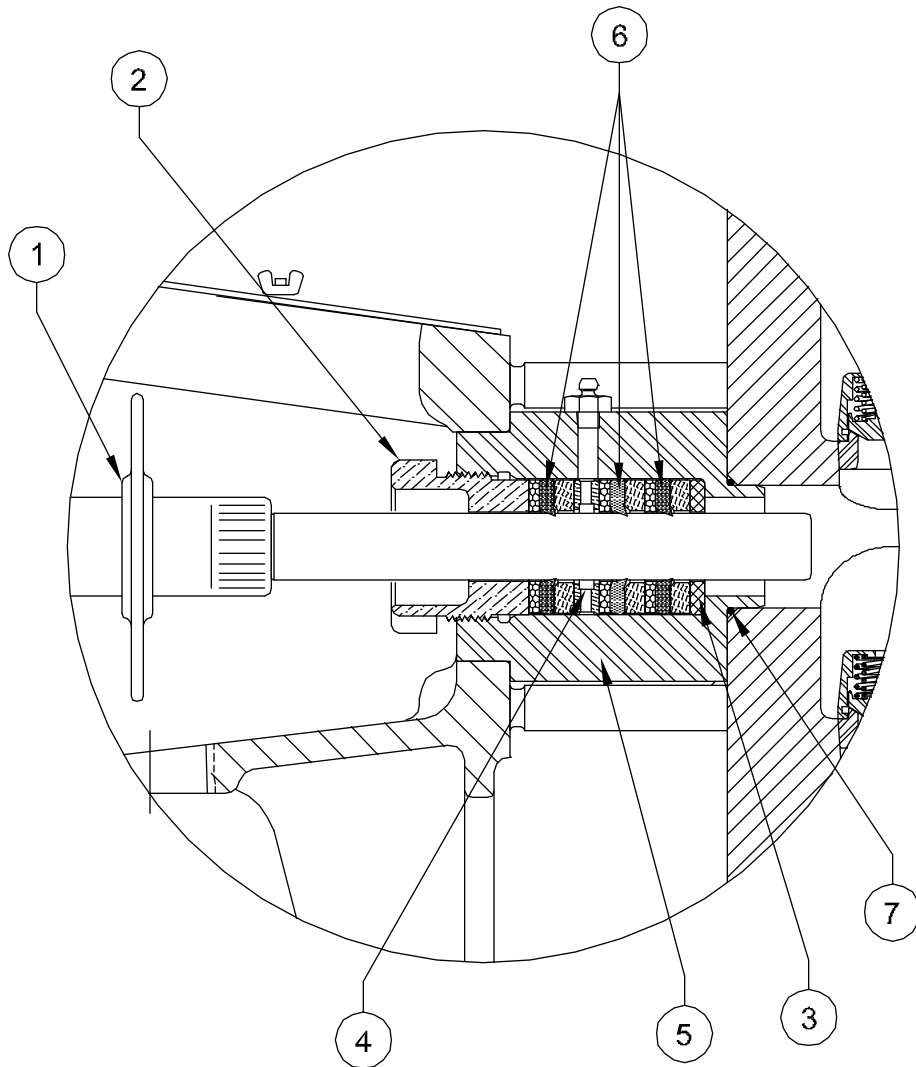
REQ'D	Part No.	DESCRIPTION	ITEM
BILL OF MATERIAL			

<*> COATED STAINLESS STEEL

NOTE

1) FOR ALL "SSF-4" STYLE PACKING SEE DRAWING 118037 SHEETS 1 THRU 3.

NOV NATIONAL OILWELL VARCO	
HOUSTON, TEXAS, U.S.A.	ENGINEERING, TULSA, OKLAHOMA
TITLE: ASSEMBLY, PLUNGER KIT "SSF-4" STYLE PKG, 1-1/8" THRU 1-3/8" PLGR 59T-3MSC (T385-2)	
DWG No.: 118037	SCALE: NONE
REV A	SHT.: 3 OF 3



NOTE:

1) FOR ALL "J" STYLE PACKING SEE DRAWING 118257, SHEETS 1 THRU 9.

3	110-000337-200	O-RING		7
	182-112214-477		858	
	182-112214-386		842	
	182-112214-374		845	
3	182-112214-370	PACKING	838	6
	AAC-030944-278		(SS)	
3	AAC-030944-270	STUFFING BOX	(STL)	5
	001-011218-278		(SS)	
	001-011218-235		(STL)	
3	011-011218-302	LANTERN RING	(BRZ)	4
	001-010949-278		(SS)	
	001-010949-235		(STL)	
3	001-010949-302	THROAT BUSHING	(BRZ)	3
	ACC-013800-E16	<*>	(XSS)	
	001-011230-351		(DI)	
3	001-011230-304	GLAND NUT	(BRZ)	2
3	001-007986-201	BAFFLE DISC		1
(1-1/2" PLUNGER)				
REQ'D	Part No.	DESCRIPTION		ITEM
BILL OF MATERIAL				

<*> COATED STAINLESS STEEL



HOUSTON, TEXAS, U.S.A.

ENGINEERING, TULSA, OKLAHOMA

TITLE:

ASSEMBLY, PLUNGER KIT
 "J" STYLE PKG, 1-1/2" THRU 2-1/2" PLUNGER
 59T-3MC (T365-AMC)

DWG No.:

118257

SCALE:

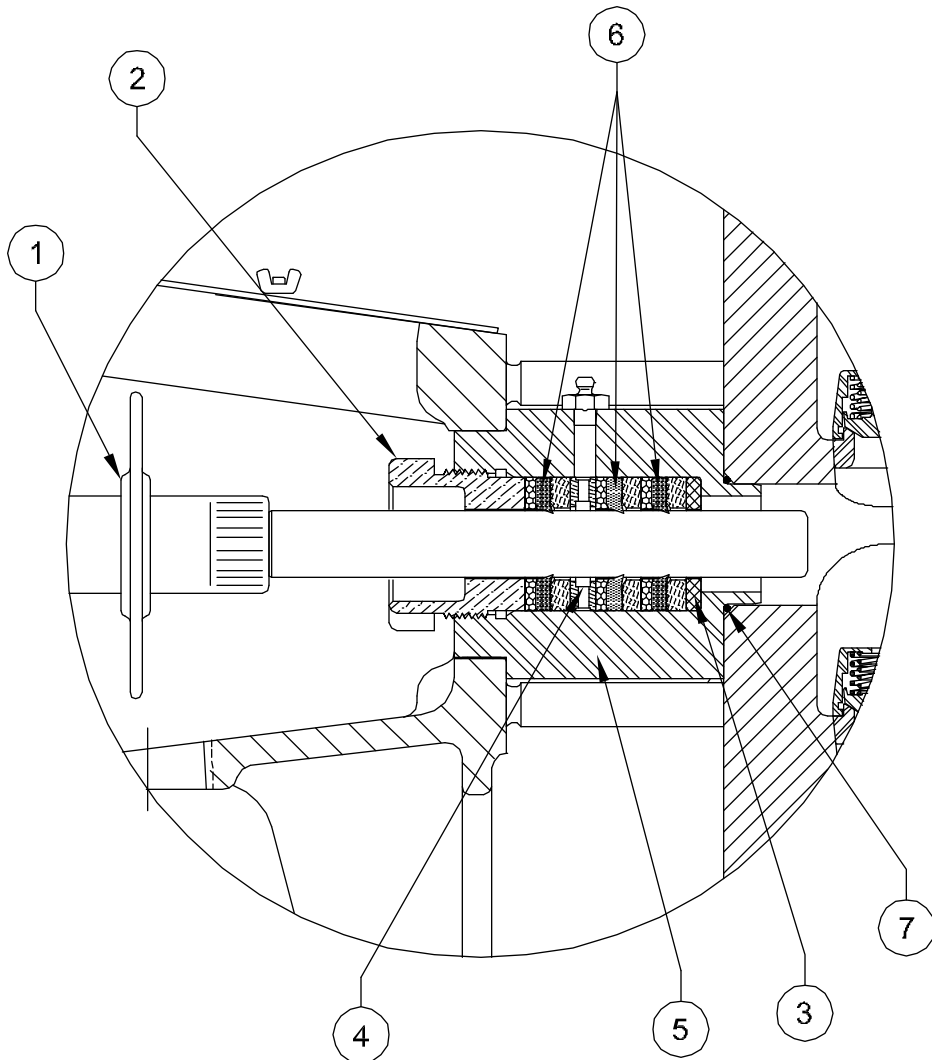
NONE

REV

A

SHT.:

1 OF 9



NOTE:

1) FOR ALL "J" STYLE PACKING SEE DRAWING 118257, SHEETS 1 THRU 9.

3	110-000337-200	O-RING		7
	182-158214-477		858	
	182-158214-386		842	
	182-158214-374		845	
3	182-158214-370	PACKING	838	6
	AAC-030944-278		(SS)	
3	AAC-030944-270	STUFFING BOX	(STL)	5
	001-005305-278		(SS)	
	001-005305-235		(STL)	
3	001-005305-302	LANTERN RING	(BRZ)	4
	001-010962-278		(SS)	
	001-010962-235		(STL)	
3	001-010962-302	THROAT BUSHING	(BRZ)	3
	ABC-013800-E16	<*>	(XSS)	
	001-011231-351		(DI)	
3	001-011231-304	GLAND NUT	(BRZ)	2
3	001-007986-201	BAFFLE DISC		1
(1-5/8" PLUNGER)				
REQ'D	Part No.	DESCRIPTION		ITEM

BILL OF MATERIAL

<*> COATED STAINLESS STEEL



HOUSTON, TEXAS, U.S.A.

ENGINEERING, TULSA, OKLAHOMA

TITLE:

ASSEMBLY, PLUNGER KIT
 "J" STYLE PKG, 1-1/2" THRU 2-1/2" PLUNGER
 59T-3MC (T365-AMC)

DWG No.:

118257

SCALE:

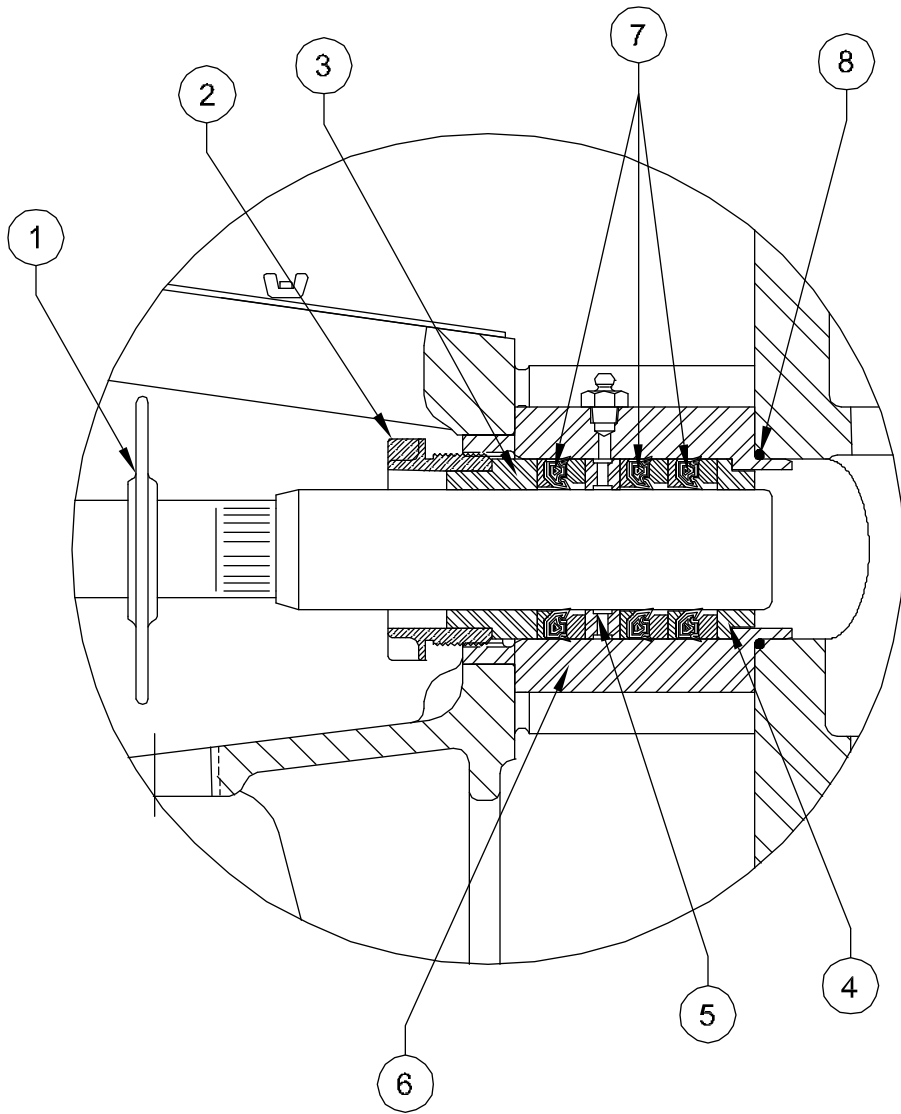
NONE

REV

A

SHT.:

2 OF 9



NOTE:

1) FOR ALL "J" STYLE PACKING SEE DRAWING 118257, SHEETS 1 THRU 9.

3	110-000337-200	O-RING		8
	181-134244-477		858	
	181-134244-286		842	
	181-134244-374		845	
3	181-134244-370	PACKING	838	7
	AAC-030940-278		(SS)	
3	AAC-030940-270	STUFFING BOX	(STL)	6
	001-010990-278		(SS)	
	001-010990-235		(STL)	
3	001-010990-302	LANTERN RING	(BRZ)	5
	001-010897-278		(SS)	
	001-010897-235		(STL)	
3	001-010897-302	THROAT BUSHING	(BRZ)	4
	001-010933-278		(SS)	
	001-010933-235		(STL)	
	001-010933-302	FOLLOWER	(BRZ)	3
	002-007977-E16	<*>	(XSS)	
	001-007977-351		(DI)	
3	002-007977-261	GLAND NUT	(SS)	2
3	001-007986-201	BAFFLE DISC		1
(1-3/4" PLUNGER)				
REQ'D	Part No.	DESCRIPTION		ITEM
BILL OF MATERIAL				

<*> COATED STAINLESS STEEL

97

NOV NATIONAL OILWELL VARCO

HOUSTON, TEXAS, U.S.A.

ENGINEERING, TULSA, OKLAHOMA

TITLE:

ASSEMBLY, PLUNGER KIT
"J" STYLE PKG, 1-1/2" THRU 2-1/2" PLUNGER
59T-3MC (T365-AMC)

DWG No.:

118257

SCALE:

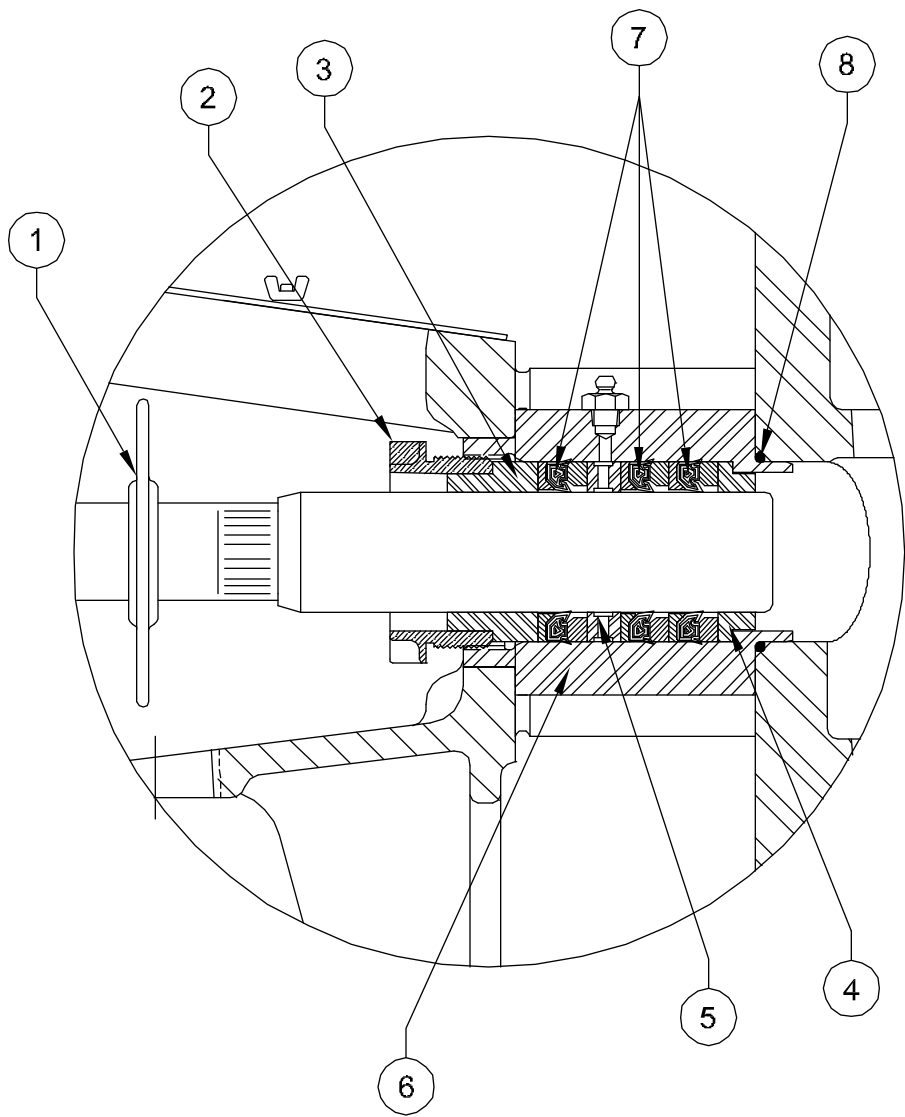
NONE

REV

A

SHT.:

3 OF 9



NOTE:

1) FOR ALL "J" STYLE PACKING SEE DRAWING 118257, SHEETS 1 THRU 9.

3	110-000337-200	O-RING		8
	181-178244-477		858	
	181-178244-386		842	
	181-178244-374		845	
3	181-178244-370	PACKING	838	7
	AAC-030940-278		(SS)	
3	AAC-030940-270	STUFFING BOX	(STL)	6
	001-014457-278		(SS)	
	001-014457-235		(STL)	
3	001-014457-302	LANTERN RING	(BRZ)	5
	001-010899-278		(SS)	
	001-010899-235		(STL)	
3	001-010899-302	THROAT BUSHING	(BRZ)	4
	001-014459-278		(SS)	
	001-014459-235		(STL)	
	001-014459-302	FOLLOWER	(BRZ)	3
	002-007977-E16	<*>	(XSS)	
	001-007977-351		(DI)	
3	002-007977-261	GLAND NUT	(SS)	2
3	001-007986-201	BAFFLE DISC		1
(1-7/8" PLUNGER)				
REQ'D	Part No.	DESCRIPTION		ITEM

BILL OF MATERIAL

<*> COATED STAINLESS STEEL

98

NOV NATIONAL OILWELL VARCO

HOUSTON, TEXAS, U.S.A.

ENGINEERING, TULSA, OKLAHOMA

TITLE:

ASSEMBLY, PLUNGER KIT
"J" STYLE PKG, 1-1/2" THRU 2-1/2" PLUNGER
59T-3MC (T365-AMC)

DWG No.:

118257

SCALE:

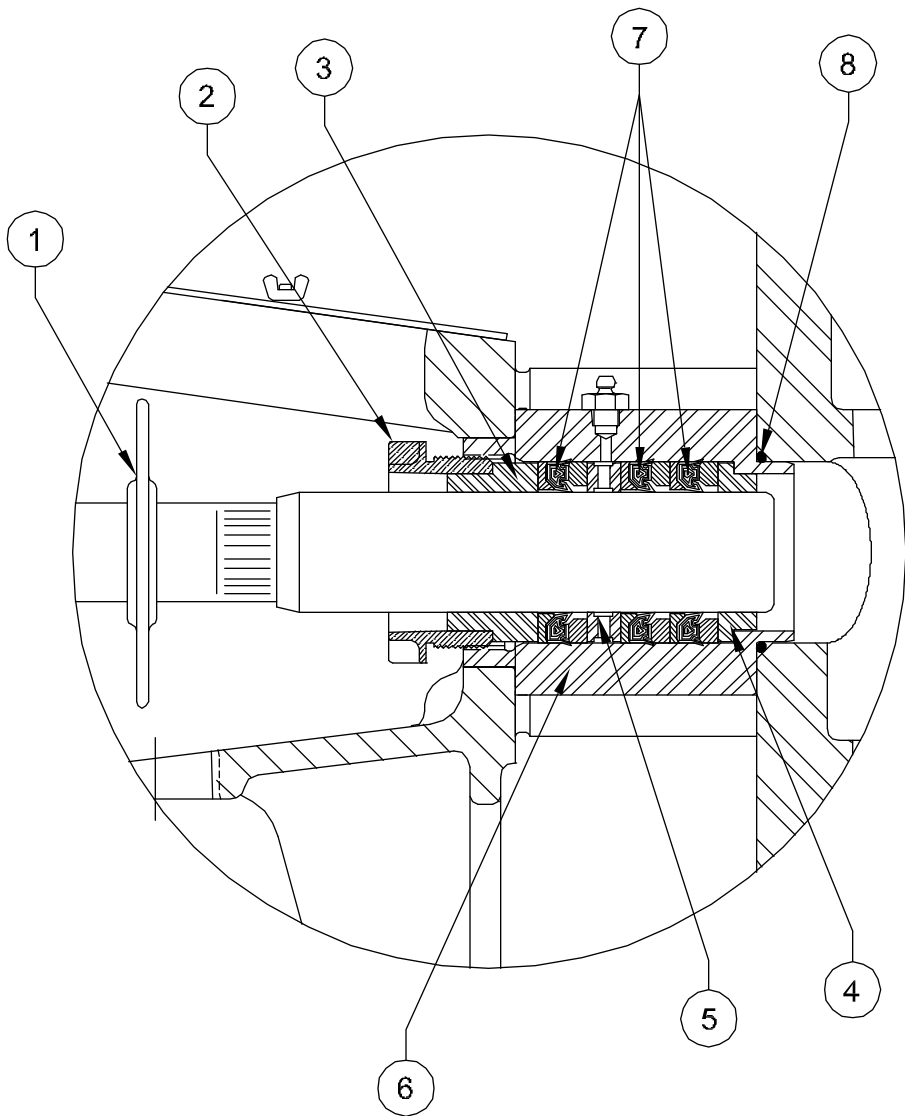
NONE

REV

A

SHT.:

4 OF 9



NOTE:

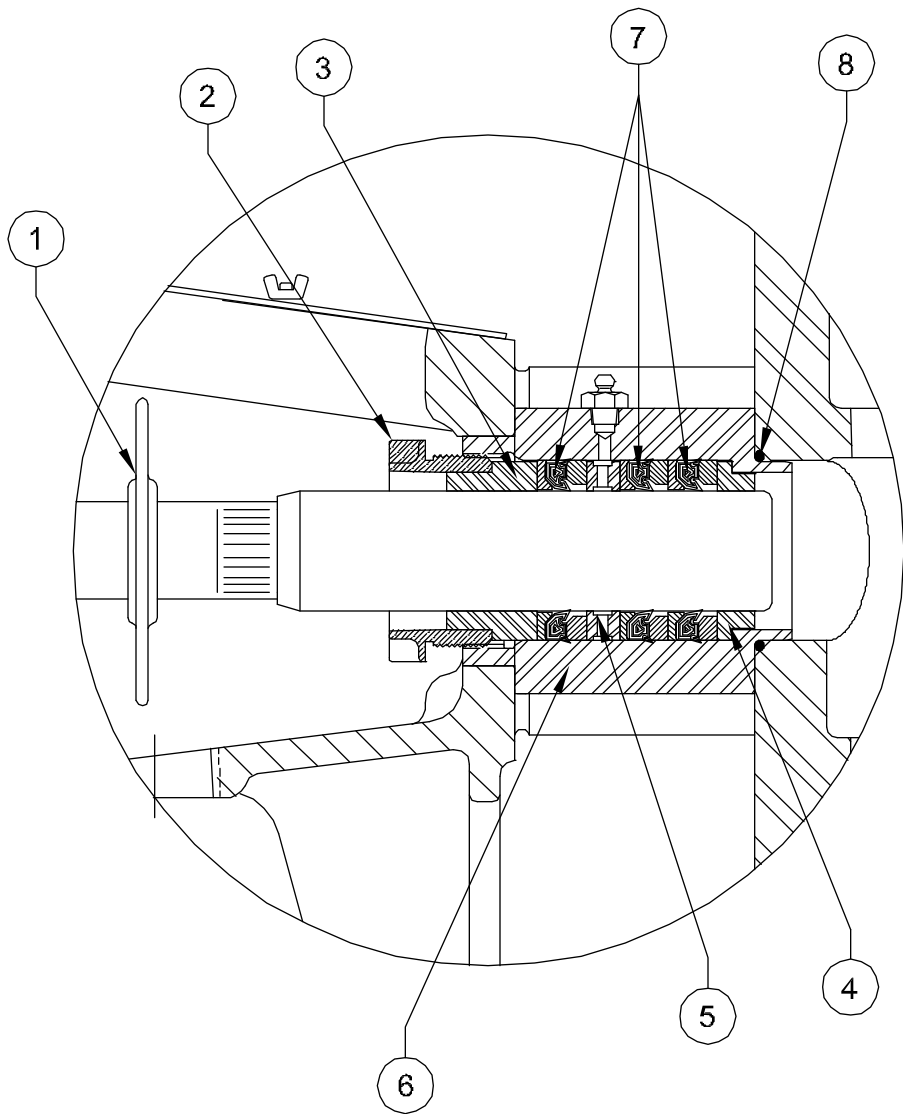
1) FOR ALL "J" STYLE PACKING SEE DRAWING 118257, SHEETS 1 THRU 9.

3	110-000337-200	O-RING		8
	181-200214-477		858	
	181-200214-386		842	
	181-200214-374		845	
3	181-200214-370	PACKING	838	7
	AAC-030940-278		(SS)	
3	AAC-030940-270	STUFFING BOX	(STL)	6
	001-010991-278		(SS)	
	001-010991-235		(STL)	
3	001-010991-302	LANTERN RING	(BRZ)	5
	001-010901-278		(SS)	
	001-010901-235		(STL)	
3	001-010901-302	THROAT BUSHING	(BRZ)	4
	001-010931-278		(SS)	
	001-010931-235		(STL)	
	001-010931-302	FOLLOWER	(BRZ)	3
	002-007977-E16	<*>	(XSS)	
	001-007977-351		(DI)	
3	002-007977-261	GLAND NUT	(SS)	2
3	001-007986-201	BAFFLE DISC		1
(2" PLUNGER)				
REQ'D	Part No.	DESCRIPTION		ITEM
BILL OF MATERIAL				

<*> COATED STAINLESS STEEL

99

NOV NATIONAL OILWELL VARCO			
HOUSTON, TEXAS, U.S.A.		ENGINEERING, TULSA, OKLAHOMA	
TITLE: ASSEMBLY, PLUNGER KIT "J" STYLE PKG, 1-1/2" THRU 2-1/2" PLUNGER 59T-3MC (T365-AMC)			
DWG No.:	SCALE:	REV	SHT.:
118257	NONE	A	5 OF 9



NOTE:

1) FOR ALL "J" STYLE PACKING SEE DRAWING 118257, SHEETS 1 THRU 9.

3	110-000337-200	O-RING		8
	181-218214-477		858	
	181-218214-386		842	
	181-218214-374		845	
3	181-218214-370	PACKING	838	7
	AAC-030940-278		(SS)	
3	AAC-030940-270	STUFFING BOX	(STL)	6
	001-014456-278		(SS)	
	001-014456-235		(STL)	
3	001-014456-302	LANTERN RING	(BRZ)	5
	001-010902-278		(SS)	
	001-010902-235		(STL)	
3	001-010902-302	THROAT BUSHING	(BRZ)	4
	001-014458-278		(SS)	
	001-014458-235		(STL)	
	001-014458-302	FOLLOWER	(BRZ)	3
	002-007977-E16	<*>	(XSS)	
	001-007977-351		(DI)	
3	002-007977-261	GLAND NUT	(SS)	2
3	001-007986-201	BAFFLE DISC		1
(2-1/8" PLUNGER)				
REQ'D	Part No.	DESCRIPTION		ITEM
BILL OF MATERIAL				

<*> COATED STAINLESS STEEL

100

NOV NATIONAL OILWELL VARCO

HOUSTON, TEXAS, U.S.A.

ENGINEERING, TULSA, OKLAHOMA

TITLE:

ASSEMBLY, PLUNGER KIT
"J" STYLE PKG, 1-1/2" THRU 2-1/2" PLUNGER
59T-3MC (T365-AMC)

DWG No.:

118257

SCALE:

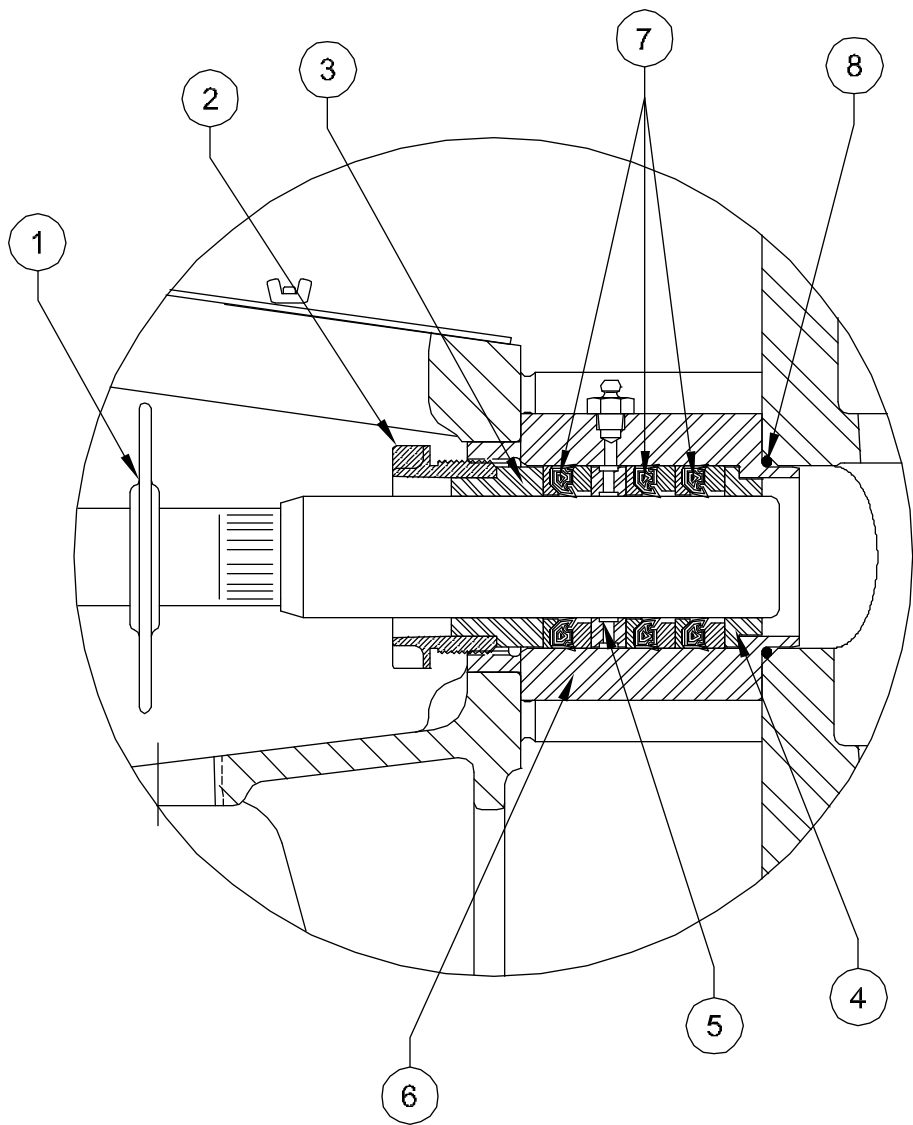
NONE

REV

A

SHT.:

6 OF 9



NOTE:

1) FOR ALL "J" STYLE PACKING SEE DRAWING 118257, SHEETS 1 THRU 9.

3	110-000337-200	O-RING		8
	181-214214-477		858	
	181-214214-386		842	
	181-214214-374		845	
3	181-214214-370	PACKING	838	7
	AAC-030940-278		(SS)	
3	AAC-030940-270	STUFFING BOX	(STL)	6
	001-010266-278		(SS)	
	001-010266-235		(STL)	
3	001-010266-302	LANTERN RING	(BRZ)	5
	001-007979-278		(SS)	
	001-007979-235		(STL)	
3	001-007979-302	THROAT BUSHING	(BRZ)	4
	001-007983-278		(SS)	
	001-007983-235		(STL)	
	001-007983-302	FOLLOWER	(BRZ)	3
	002-007977-E16	<*>	(XSS)	
	001-007977-351		(DI)	
3	002-007977-261	GLAND NUT	(SS)	2
3	001-007986-201	BAFFLE DISC		1
(2-1/4" PLUNGER)				
REQ'D	Part No.	DESCRIPTION		ITEM
BILL OF MATERIAL				

<*> COATED STAINLESS STEEL

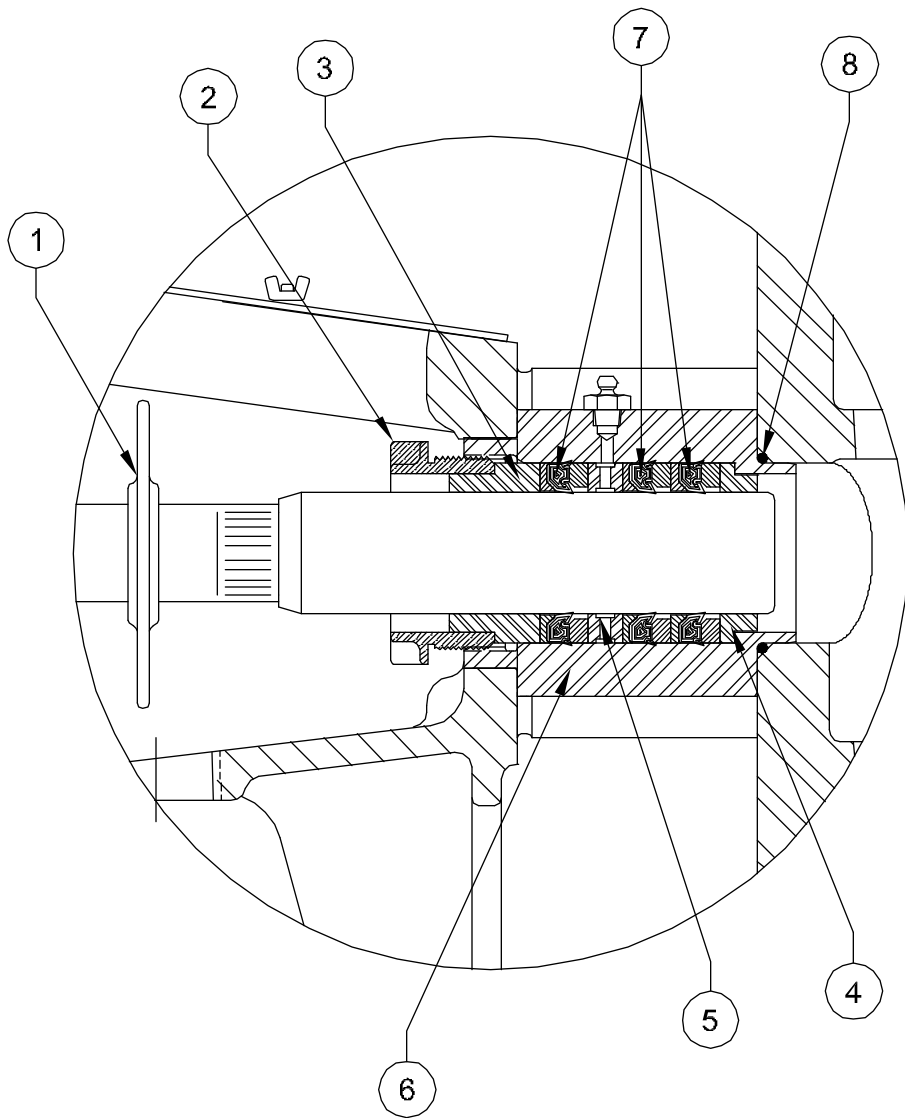
101



HOUSTON, TEXAS, U.S.A. ENGINEERING, TULSA, OKLAHOMA

TITLE:
ASSEMBLY, PLUNGER KIT
"J" STYLE PKG, 1-1/2" THRU 2-1/2" PLUNGER
59T-3MC (T365-AMC)

DWG No.:	118257	SCALE:	NONE	REV	A	SHT.:	7	OF	9
----------	--------	--------	------	-----	---	-------	---	----	---



NOTE:

1) FOR ALL "J" STYLE PACKING SEE DRAWING 118257, SHEETS 1 THRU 9.

3	110-000337-200	O-RING		8
	181-238244-477		858	
	181-238244-386		842	
	181-238244-374		845	
3	181-238244-370	PACKING	838	7
	AAC-030940-278		(SS)	
3	AAC-030940-270	STUFFING BOX	(STL)	6
	001-028072-278		(SS)	
	001-028072-235		(STL)	
3	001-028072-302	LANTERN RING	(BRZ)	5
	001-024394-278		(SS)	
	001-024394-235		(STL)	
3	001-024394-302	THROAT BUSHING	(BRZ)	4
	001-024393-278		(SS)	
	001-024393-235		(STL)	
	001-024393-302	FOLLOWER	(BRZ)	3
	002-007977-E16	<*>	(XSS)	
	001-007977-351		(DI)	
3	002-007977-261	GLAND NUT	(SS)	2
3	001-007986-201	BAFFLE DISC		1
(2-3/8" PLUNGER)				
REQ'D	Part No.	DESCRIPTION		ITEM
BILL OF MATERIAL				

<*> COATED STAINLESS STEEL

NOV NATIONAL OILWELL VARCO

HOUSTON, TEXAS, U.S.A.

ENGINEERING, TULSA, OKLAHOMA

TITLE:

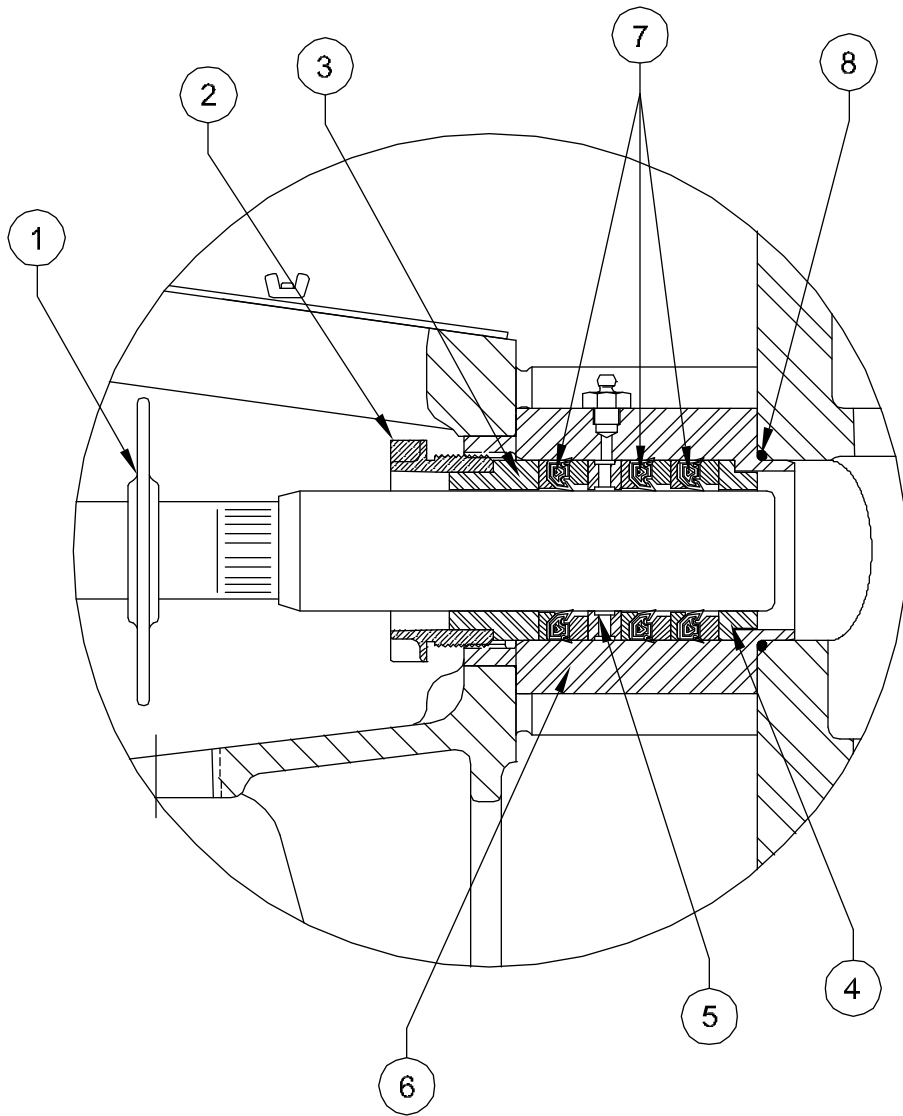
ASSEMBLY, PLUNGER KIT
"J" STYLE PKG, 1-1/2" THRU 2-1/2" PLUNGER
59T-3MC (T365-AMC)

DWG No.: 118257

SCALE: NONE

REV A

SHT.: 8 OF 9



NOTE:

1) FOR ALL "J" STYLE PACKING SEE DRAWING 118257, SHEETS 1 THRU 9.

3	110-000337-200	O-RING		8
	181-212178-477		858	
	181-212178-386		842	
	181-212178-374		845	
3	181-212178-370	PACKING	838	7
	AAC-030940-278		(SS)	
3	AAC-030940-270	STUFFING BOX	(STL)	6
	001-010904-278		(SS)	
	001-010904-235		(STL)	
3	001-010904-302	LANTERN RING	(BRZ)	5
	001-025918-278		(SS)	
	001-025918-235		(STL)	
3	001-025918-302	THROAT BUSHING	(BRZ)	4
	001-008745-278		(SS)	
	001-008745-235		(STL)	
	001-008745-302	FOLLOWER	(BRZ)	3
	002-007977-E16	<*>	(XSS)	
	001-007977-351		(DI)	
3	002-007977-261	GLAND NUT	(SS)	2
3	001-007986-201	BAFFLE DISC		1
(2-1/2" PLUNGER)				
REQ'D	Part No.	DESCRIPTION		ITEM

BILL OF MATERIAL

<*> COATED STAINLESS STEEL

103

NOV NATIONAL OILWELL VARCO

HOUSTON, TEXAS, U.S.A.

ENGINEERING, TULSA, OKLAHOMA

TITLE:

ASSEMBLY, PLUNGER KIT
"J" STYLE PKG, 1-1/2" THRU 2-1/2" PLUNGER
59T-3MC (T365-AMC)

DWG No.:

118257

SCALE:

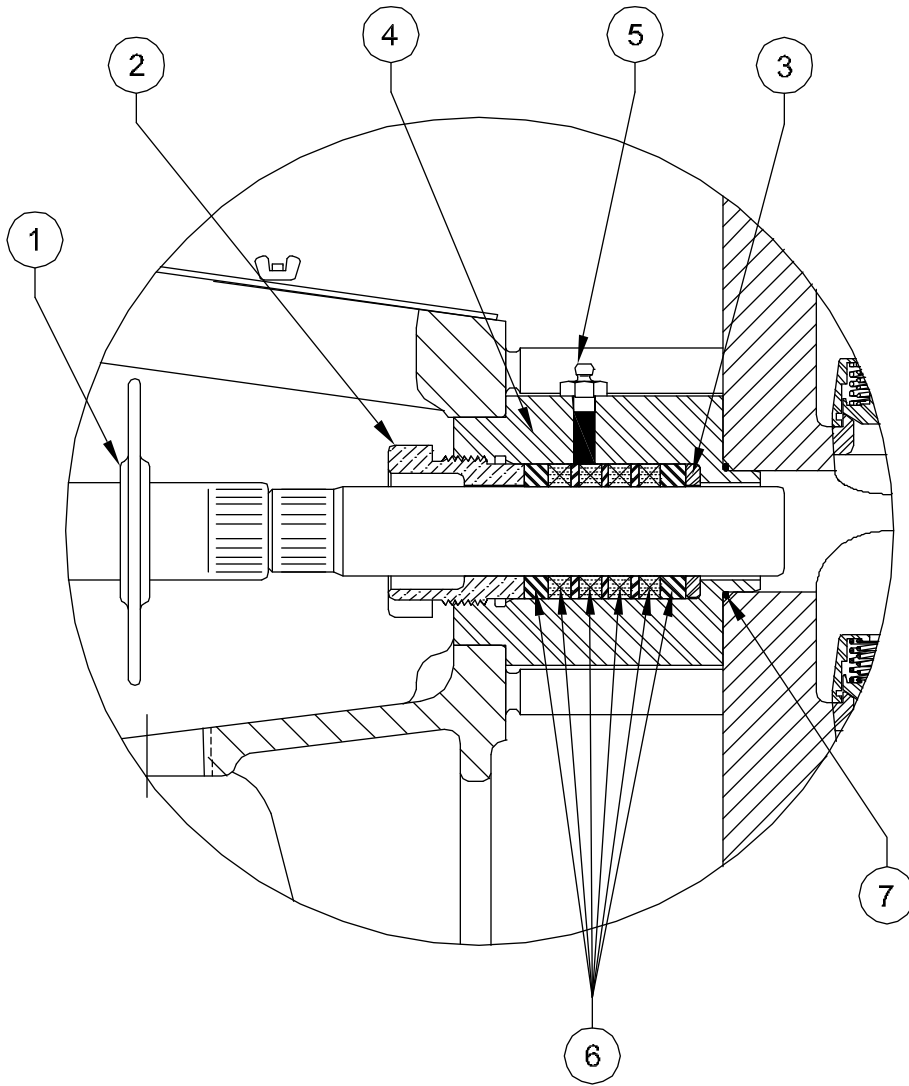
NONE

REV

A

SHT:

9 OF 9



NOTE:

1) FOR ALL "BRAID" STYLE PACKING SEE DRAWING 118258, SHEETS 1 THRU 9.

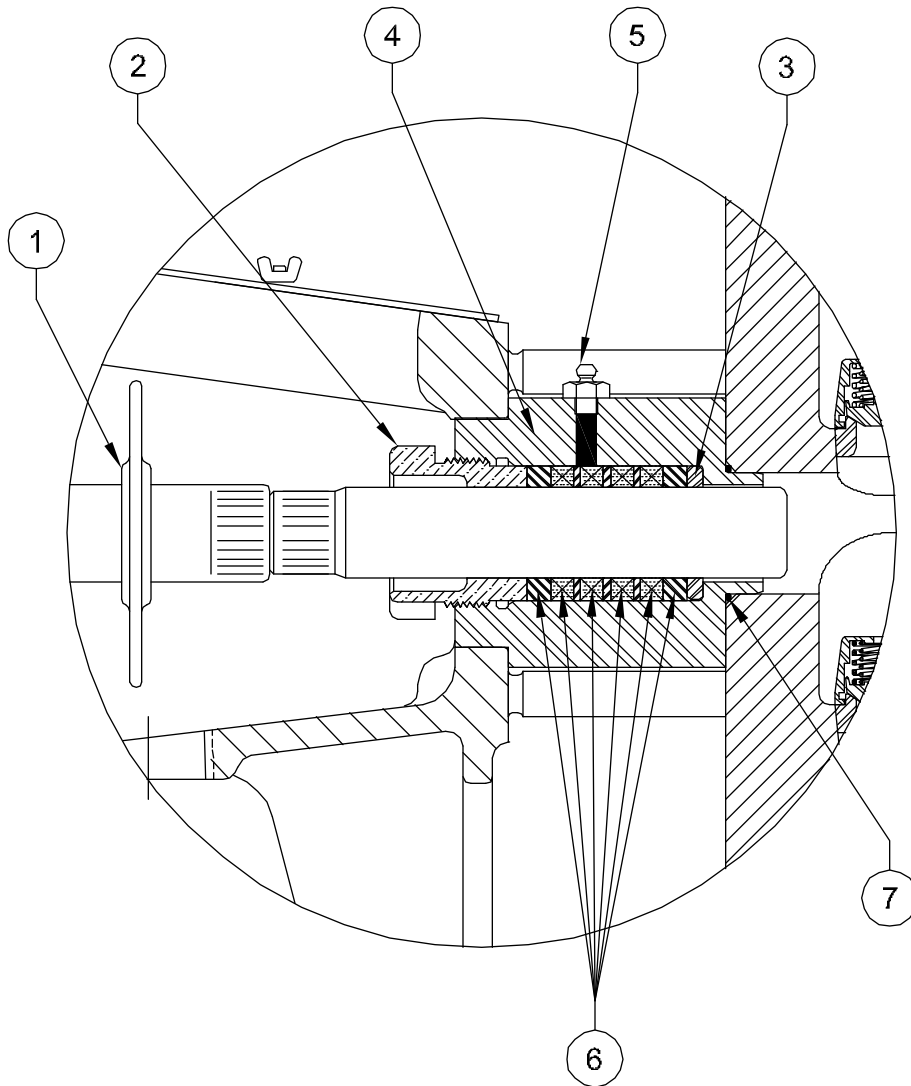
3	110-000337-200	O-RING		7
	287-112234-458		8921-K	
	287-112234-339		249	
	287-112234-337		241	
3	287-112234-395	PACKING	238	6
3	170-018002-278	PIPE PLUG	(SS)	5
	AAC-030944-278		(SS)	
3	AAC-030944-270	STUFFING BOX	(STL)	4
	001-010949-278		(SS)	
	001-010949-235		(STL)	
3	001-010949-302	THROAT BUSHING	(BRZ)	3
	ACC-013800-E16	<*>	(XSS)	
	001-011230-351		(DI)	
3	001-011230-304	GLAND NUT	(BRZ)	2
3	001-007986-201	BAFFLE DISC		1
(1-1/2" PLUNGER)				
REQ'D	Part No.	DESCRIPTION		ITEM
BILL OF MATERIAL				

<*> COATED STAINLESS STEEL

NOV NATIONAL OILWELL VARCO
 HOUSTON, TEXAS, U.S.A. ENGINEERING, TULSA, OKLAHOMA

TITLE:
ASSEMBLY, PLUNGER KIT
BRAID-STYLE PKG, 1-1/2" THRU 2-1/2" PLGR
59T-3MC (T365-AMC)

DWG No.: 118258	SCALE: NONE	REV A	SHT.: 1 OF 9
-----------------	-------------	-------	--------------



NOTE:

1) FOR ALL "BRAID" STYLE PACKING SEE DRAWING 118258, SHEETS 1 THRU 9.

3	110-000337-200	O-RING		7
	287-158234-458		8921-K	
	287-158234-339		249	
	287-158234-337		241	
3	287-158234-395	PACKING	238	6
3	170-018002-278	PIPE PLUG	(SS)	5
	AAC-030944-278		(SS)	
3	AAC-030944-270	STUFFING BOX	(STL)	4
	001-010962-278		(SS)	
	001-010962-235		(STL)	
3	001-010962-302	THROAT BUSHING	(BRZ)	3
	ABC-013800-E16	<*>	(XSS)	
	001-011231-351		(DI)	
3	001-011231-304	GLAND NUT	(BRZ)	2
3	001-007986-201	BAFFLE DISC		1
(1-5/8" PLUNGER)				
REQ'D	Part No.	DESCRIPTION		ITEM

BILL OF MATERIAL

<*> COATED STAINLESS STEEL

105

NOV NATIONAL OILWELL VARCO

HOUSTON, TEXAS, U.S.A.

ENGINEERING, TULSA, OKLAHOMA

TITLE:

ASSEMBLY, PLUNGER KIT
BRAID-STYLE PKG, 1-1/2" THRU 2-1/2" PLGR
59T-3MC (T365-AMC)

DWG No.:

118258

SCALE:

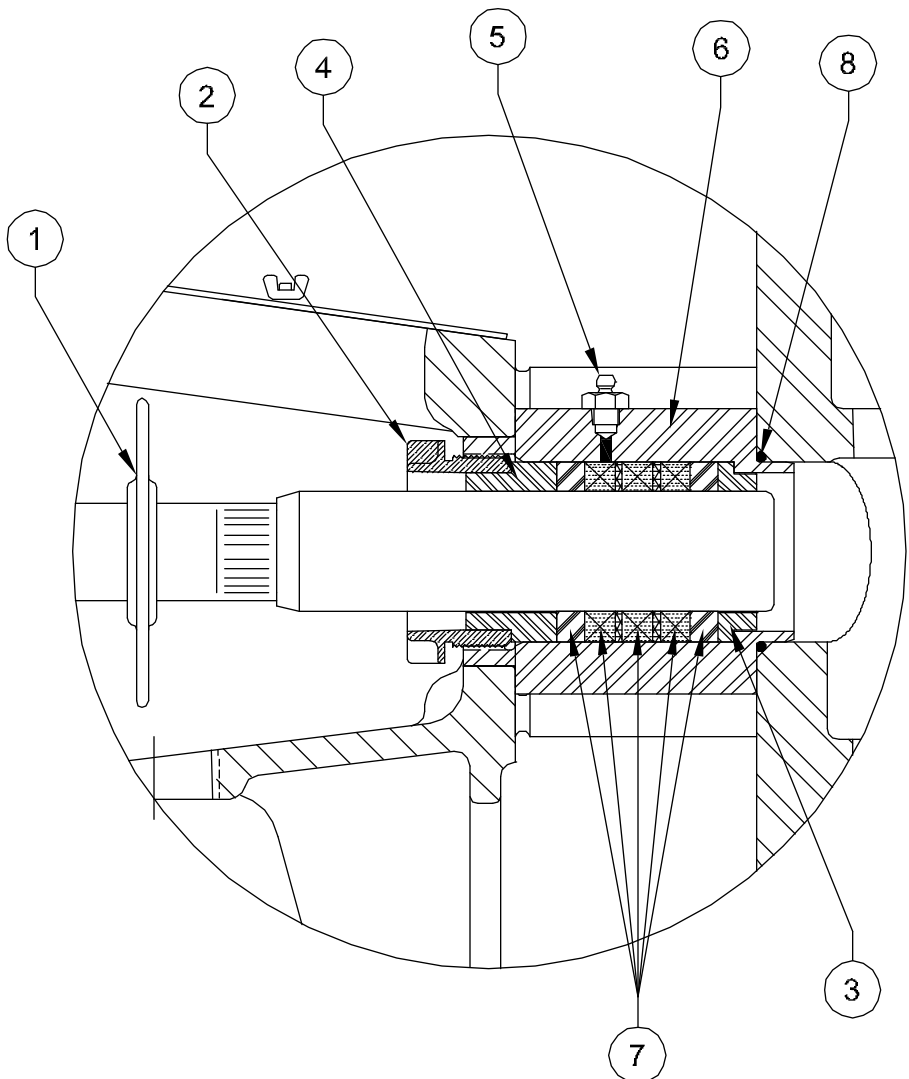
NONE

REV

A

SHT.:

2 OF 9



NOTE:
 1) FOR ALL "BRAID" STYLE PACKING SEE DRAWING 118258,
 SHEETS 1 THRU 9.

3	110-000337-200	O-RING		8
	288-134234-458		8921-K	
	288-134234-339		249	
	288-134234-337		241	
3	288-134234-395	PACKING	238	7
	AAC-030940-278		(SS)	
3	AAC-030940-270	STUFFING BOX	(STL)	6
3	170-018002-278	PIPE PLUG	(SS)	5
	001-010933-278		(SS)	
	001-010933-235		(STL)	
3	001-010933-302	FOLLOWER	(BRZ)	4
	001-010897-278		(SS)	
	001-010897-235		(STL)	
3	001-010897-302	THROAT BUSHING	(BRZ)	3
	002-007977-E16	<*>	(XSS)	
	001-007977-351		(DI)	
3	002-007977-261	GLAND NUT	(SS)	2
3	001-007986-201	BAFFLE DISC		1

(1-3/4 PLUNGER)

REQ'D	Part No.	DESCRIPTION	ITEM

BILL OF MATERIAL

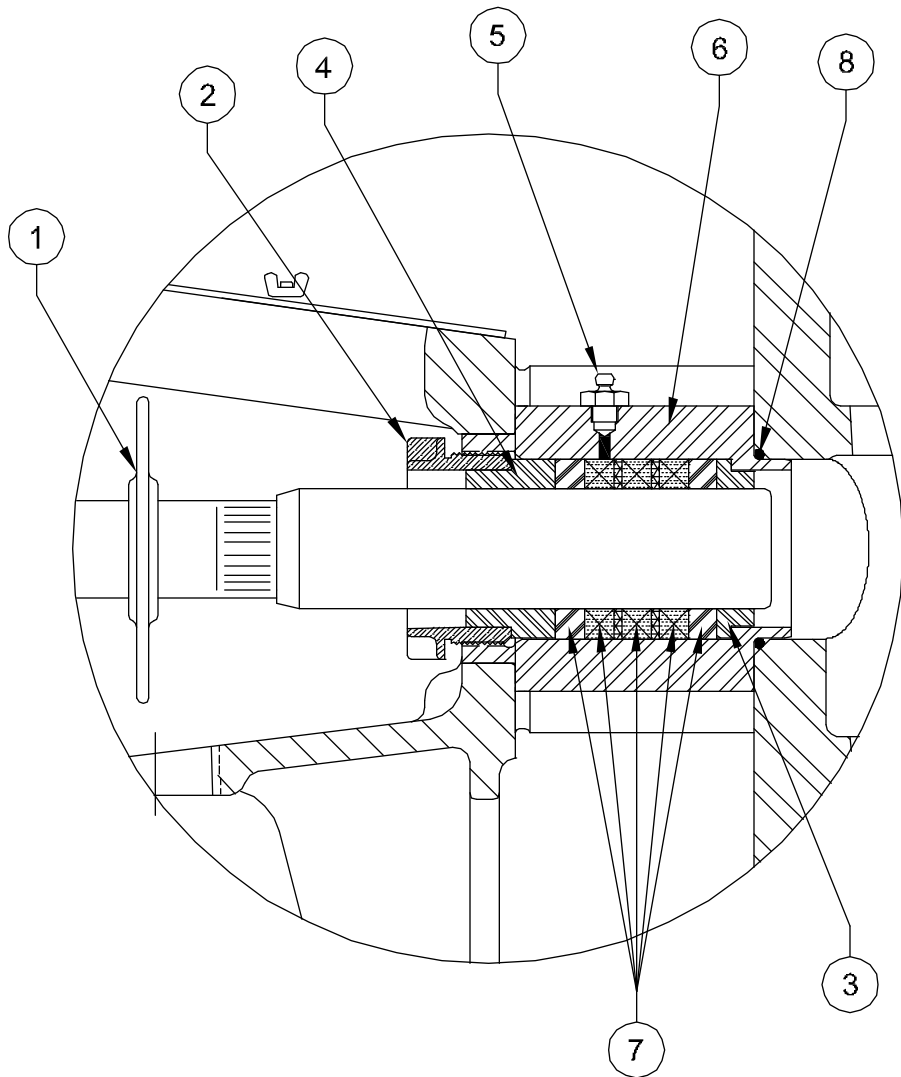
<*> COATED STAINLESS STEEL



HOUSTON, TEXAS, U.S.A. ENGINEERING, TULSA, OKLAHOMA

TITLE:
 ASSEMBLY, PLUNGER KIT
 "BRAID" STYLE PKG, 1-1/2" THRU 2-1/2" PLGR
 59T-3MC (T365-AMC)

DWG No.:	118258	SCALE:	NONE	REV:	A	SHT.:	3 of 9
----------	--------	--------	------	------	---	-------	--------



NOTE:

1) FOR ALL "BRAID" STYLE PACKING SEE DRAWING 118258, SHEETS 1 THRU 9.

3	110-000337-200	O-RING	8921-K	8
	288-178234-458		249	
	288-178234-339		241	
	288-178234-337		238	7
3	288-178234-395	PACKING	(SS)	
	AAC-030940-278		(STL)	6
3	AAC-030940-270	STUFFING BOX	(SS)	5
3	170-018002-278	PIPE PLUG	(SS)	
	001-014459-278		(STL)	
	001-014459-235		(BRZ)	4
3	001-014459-302	FOLLOWER	(SS)	
	001-010899-278		(STL)	
	001-010899-235		(BRZ)	3
3	001-010899-302	THROAT BUSHING	(XSS)	
	002-007977-E16	<*>	(DI)	
	001-007977-351		(SS)	2
3	002-007977-261	GLAND NUT		1
3	001-007986-201	BAFFLE DISC		
(1-7/8" PLUNGER)				
REQ'D	Part No.	DESCRIPTION		ITEM
BILL OF MATERIAL				

<*> COATED STAINLESS STEEL

107

NOV NATIONAL OILWELL VARCO

HOUSTON, TEXAS, U.S.A.

ENGINEERING, TULSA, OKLAHOMA

TITLE:

ASSEMBLY, PLUNGER KIT
"BRAID" STYLE PKG, 1-1/2" THRU 2-1/2" PLGR
59T-3MC (T365-AMC)

DWG No.:

118258

SCALE:

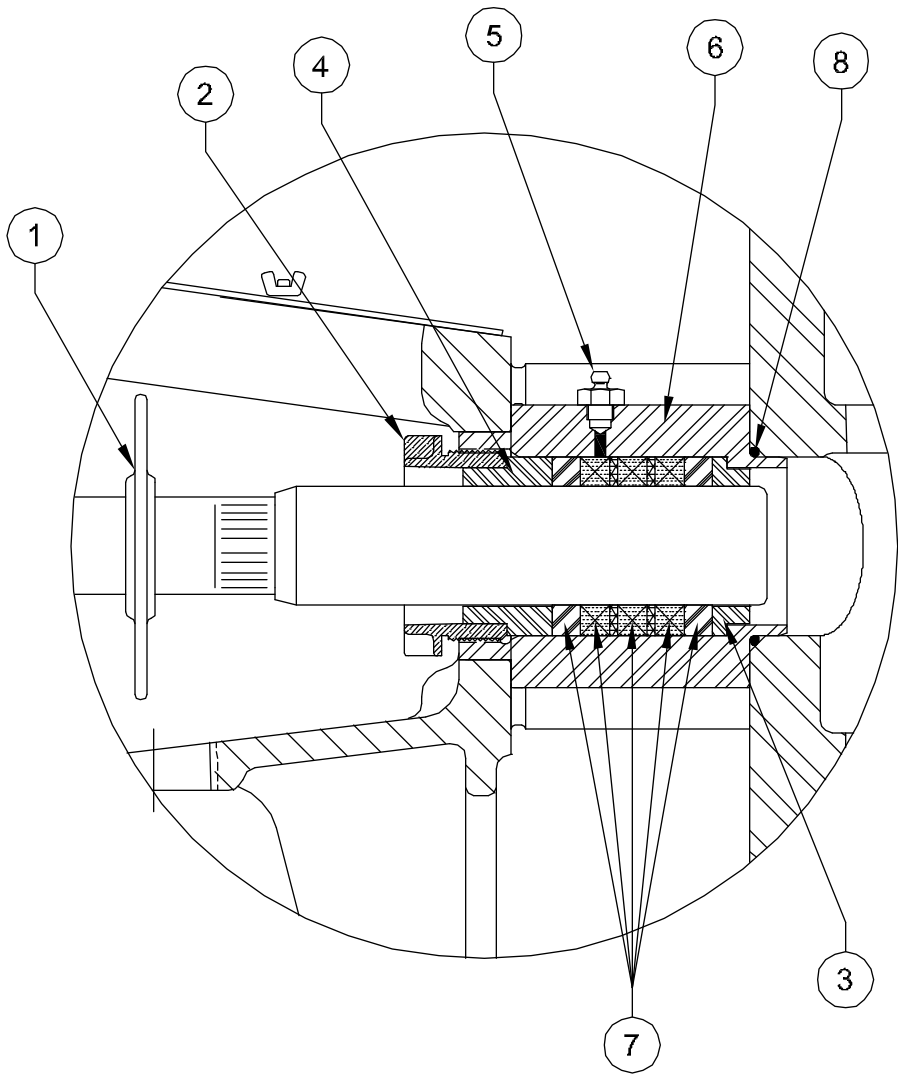
NONE

REV

A

SHT.:

4 of 9



3	110-000337-200	O-RING		8
	288-200258-458		8921-K	
	288-200258-339		249	
	288-200258-337		241	
3	288-200258-395	PACKING	238	7
	AAC-030940-278		(SS)	
3	AAC-030940-270	STUFFING BOX	(STL)	6
3	170-018002-278	PIPE PLUG	(SS)	5
	001-010931-278		(SS)	
	001-010931-235		(STL)	
3	001-010931-302	FOLLOWER	(BRZ)	4
	001-010901-278		(SS)	
	001-010901-235		(STL)	
3	001-010901-302	THROAT BUSHING	(BRZ)	3
	002-007977-E16	<*>	(XSS)	
	001-007977-351		(DI)	
3	002-007977-261	GLAND NUT	(SS)	2
3	001-007986-201	BAFFLE DISC		1
(2" PLUNGER)				
REQ'D	Part No.	DESCRIPTION		ITEM
BILL OF MATERIAL				

<*> COATED STAINLESS STEEL

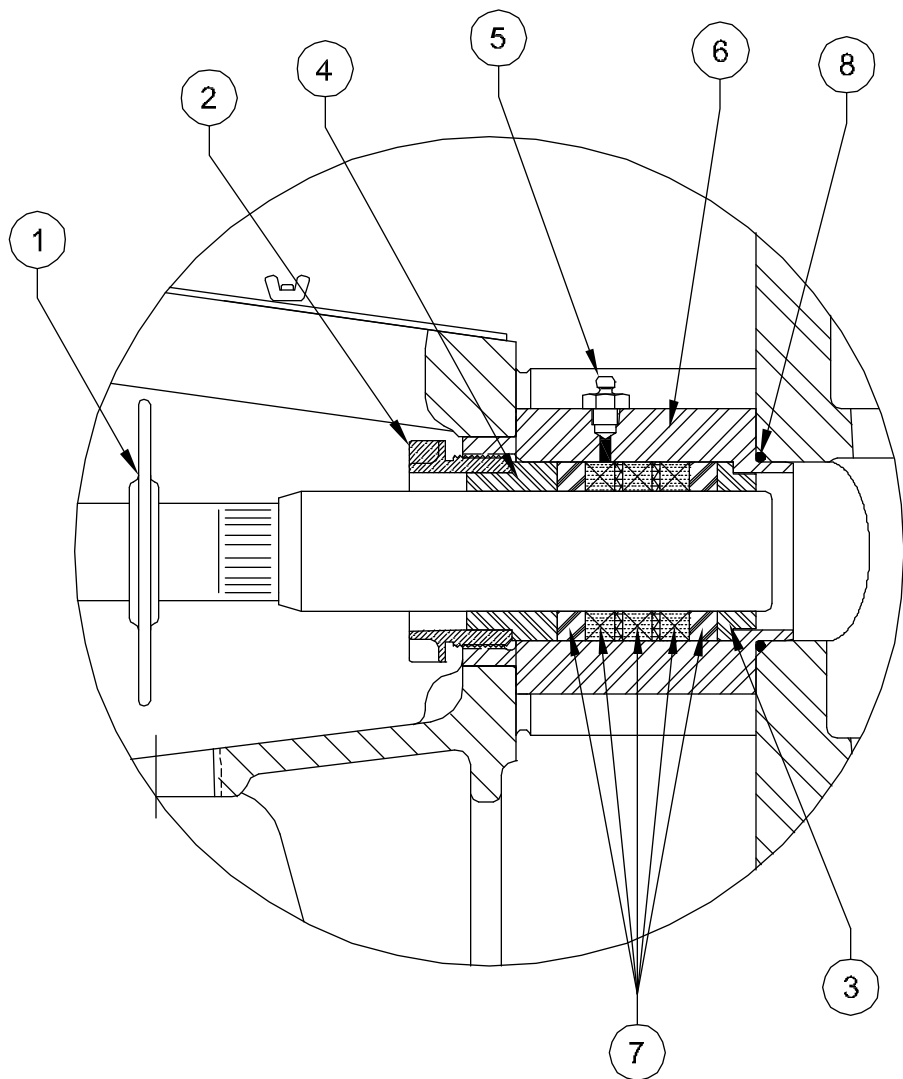
NOTE:

1) FOR ALL "BRAID" STYLE PACKING SEE DRAWING 118258, SHEETS 1 THRU 9.

NOV NATIONAL OILWELL VARCO
 HOUSTON, TEXAS, U.S.A. ENGINEERING, TULSA, OKLAHOMA

TITLE:
 ASSEMBLY, PLUNGER KIT
 "BRAID" STYLE PKG, 1-1/2" THRU 2-1/2" PLGR
 59T-3MC (T365-AMC)

DWG No.:	118258	SCALE:	NONE	REV	A	SHT.:	5	OF	9
----------	--------	--------	------	-----	---	-------	---	----	---



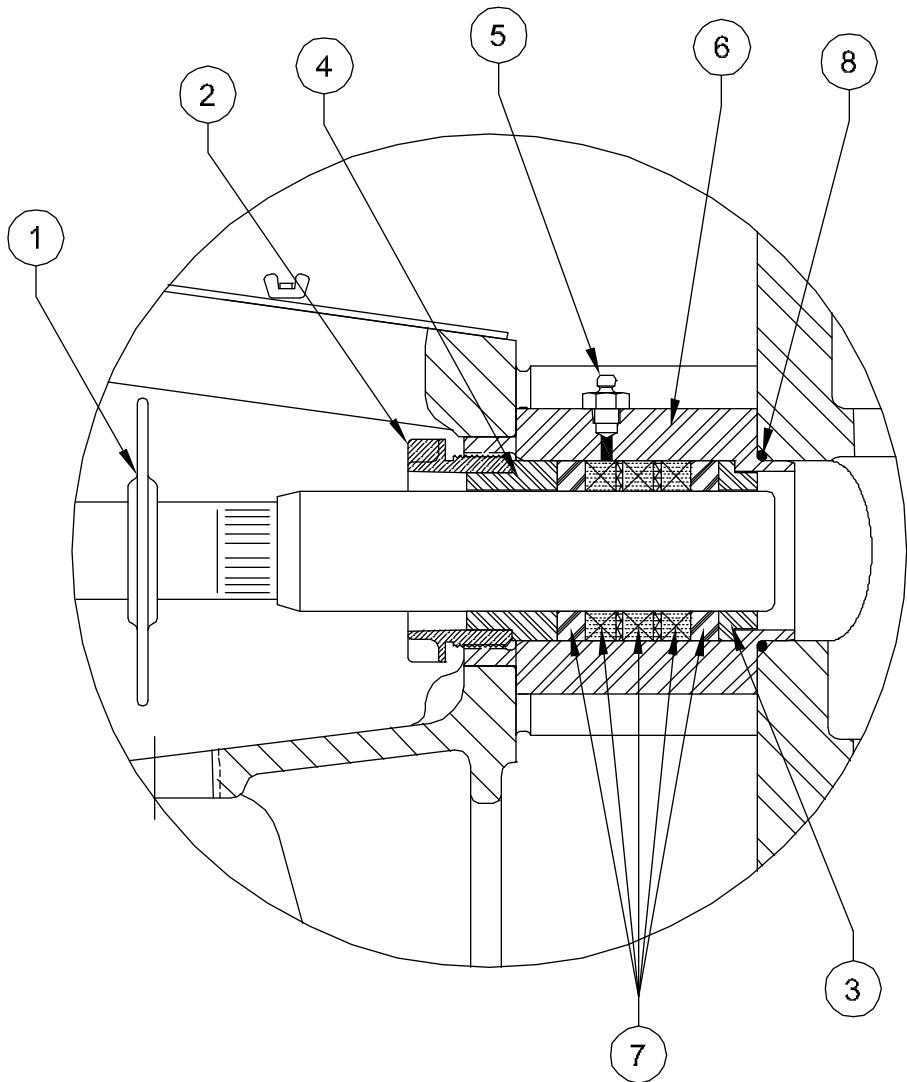
NOTE:

1) FOR ALL "BRAID" STYLE PACKING SEE DRAWING 118258, SHEETS 1 THRU 9.

3	110-000337-200	O-RING	8
	288-218234-458		8921-K
	288-218234-339		249
	288-218234-337		241
3	288-218234-395	PACKING	238
	AAC-030940-278		(SS)
3	AAC-030940-270	STUFFING BOX	(STL)
3	170-018002-278	PIPE PLUG	(SS)
	001-014458-278		(SS)
	001-014458-235		(STL)
3	001-014458-302	FOLLOWER	(BRZ)
	001-010902-278		(SS)
	001-010902-235		(STL)
3	001-010902-302	THROAT BUSHING	(BRZ)
	002-007977-E16	<*>	(XSS)
	001-007977-351		(DI)
3	002-007977-261	GLAND NUT	(SS)
3	001-007986-201	BAFFLE DISC	
(2-1/8" PLUNGER)			
REQ'D	Part No.	DESCRIPTION	ITEM
BILL OF MATERIAL			

<*> COATED STAINLESS STEEL

NOV NATIONAL OILWELL VARCO			
HOUSTON, TEXAS, U.S.A.		ENGINEERING, TULSA, OKLAHOMA	
TITLE:			
ASSEMBLY, PLUNGER KIT "BRAID" STYLE PKG, 1-1/2" THRU 2-1/2" PLGR 59T-3MC (T365-AMC)			
DWG No.:	118258	SCALE:	NONE
REV:	A	SHT.:	6 OF 9



NOTE:

1) FOR ALL "BRAID" STYLE PACKING SEE DRAWING 118258, SHEETS 1 THRU 9.

3	110-000337-200	O-RING		8
	288-214234-458		8921-K	
	288-214234-339		249	
	288-214234-337		241	
3	288-214234-395	PACKING	238	7
	AAC-030940-278		(SS)	
3	AAC-030940-270	STUFFING BOX	(STL)	6
3	170-018002-278	PIPE PLUG	(SS)	5
	001-007983-278		(SS)	
	001-007983-235		(STL)	
3	001-007983-302	FOLLOWER	(BRZ)	4
	001-007979-278		(SS)	
	001-007979-235		(STL)	
3	001-007979-302	THROAT BUSHING	(BRZ)	3
	002-007977-E16	<*>	(XSS)	
	001-007977-351		(DI)	
3	002-007977-261	GLAND NUT	(SS)	2
3	001-007986-201	BAFFLE DISC		1
(2-1/4" PLUNGER)				
REQ'D	Part No.	DESCRIPTION		ITEM
BILL OF MATERIAL				

<*> COATED STAINLESS STEEL

110

NOV NATIONAL OILWELL VARCO

HOUSTON, TEXAS, U.S.A.

ENGINEERING, TULSA, OKLAHOMA

TITLE:

ASSEMBLY, PLUNGER KIT
 "BRAID" STYLE PKG, 1-1/2" THRU 2-1/2" PLGR
 59T-3MC (T365-AMC)

DWG No.:

118258

SCALE:

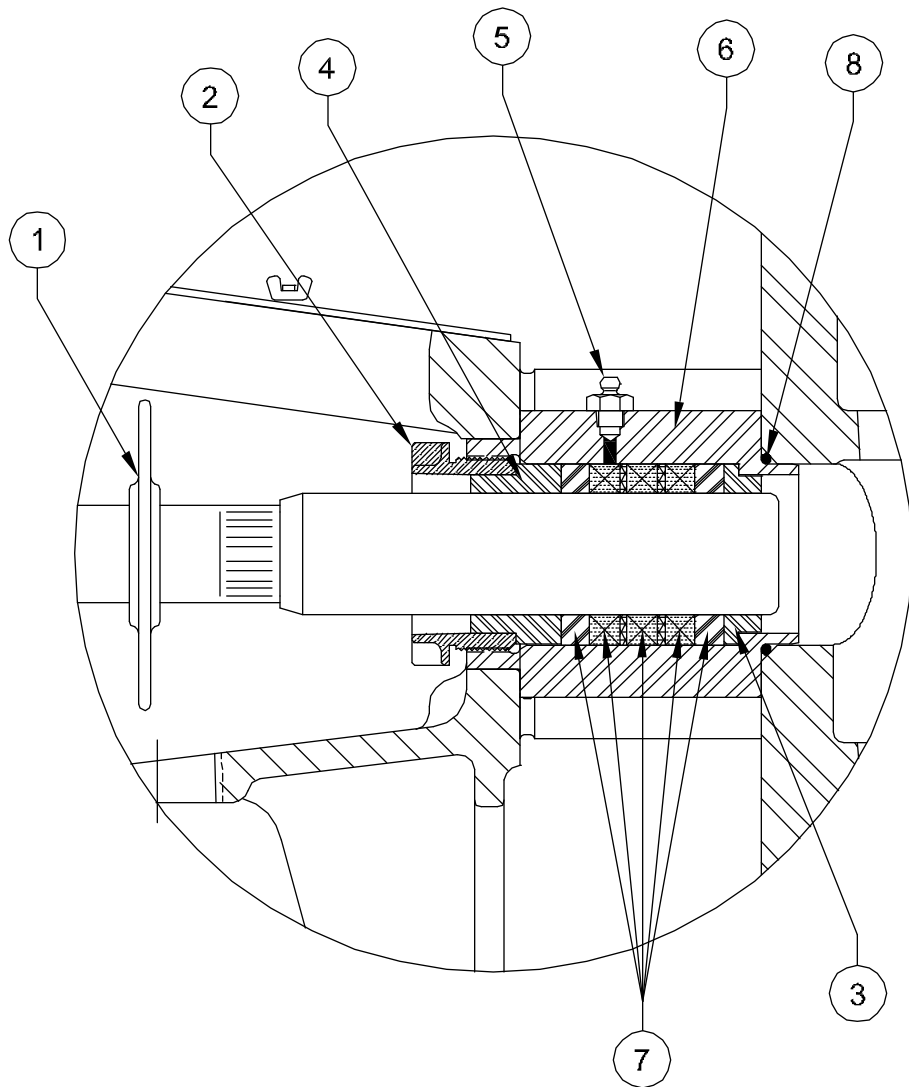
NONE

REV

A

SHT.:

7 OF 9



NOTE:

1) FOR ALL "BRAID" STYLE PACKING SEE DRAWING 118258, SHEETS 1 THRU 9.

3	110-000337-200	O-RING		8
	288-238234-458		8921-K	
	288-238234-339		249	
	288-238234-337		241	
3	288-238234-395	PACKING	238	7
	AAC-030940-278		(SS)	
3	AAC-030940-270	STUFFING BOX	(STL)	6
3	170-018002-278	PIPE PLUG	(SS)	5
	001-024393-278		(SS)	
	001-024393-235		(STL)	
3	001-024393-302	FOLLOWER	(BRZ)	4
	001-024394-278		(SS)	
	001-024394-235		(STL)	
3	001-024394-302	THROAT BUSHING	(BRZ)	3
	002-007977-E16	<*>	(XSS)	
	001-007977-351		(DI)	
3	002-007977-261	GLAND NUT	(SS)	2
3	001-007986-201	BAFFLE DISC		1
(2-3/8" PLUNGER)				
REQ'D	Part No.	DESCRIPTION		ITEM
BILL OF MATERIAL				

<*> COATED STAINLESS STEEL



HOUSTON, TEXAS, U.S.A.

ENGINEERING, TULSA, OKLAHOMA

TITLE:

ASSEMBLY, PLUNGER KIT
 "BRAID" STYLE PKG, 1-1/2" THRU 2-1/2" PLGR
 59T-3MC (T365-AMC)

DWG No.:

118258

SCALE:

NONE

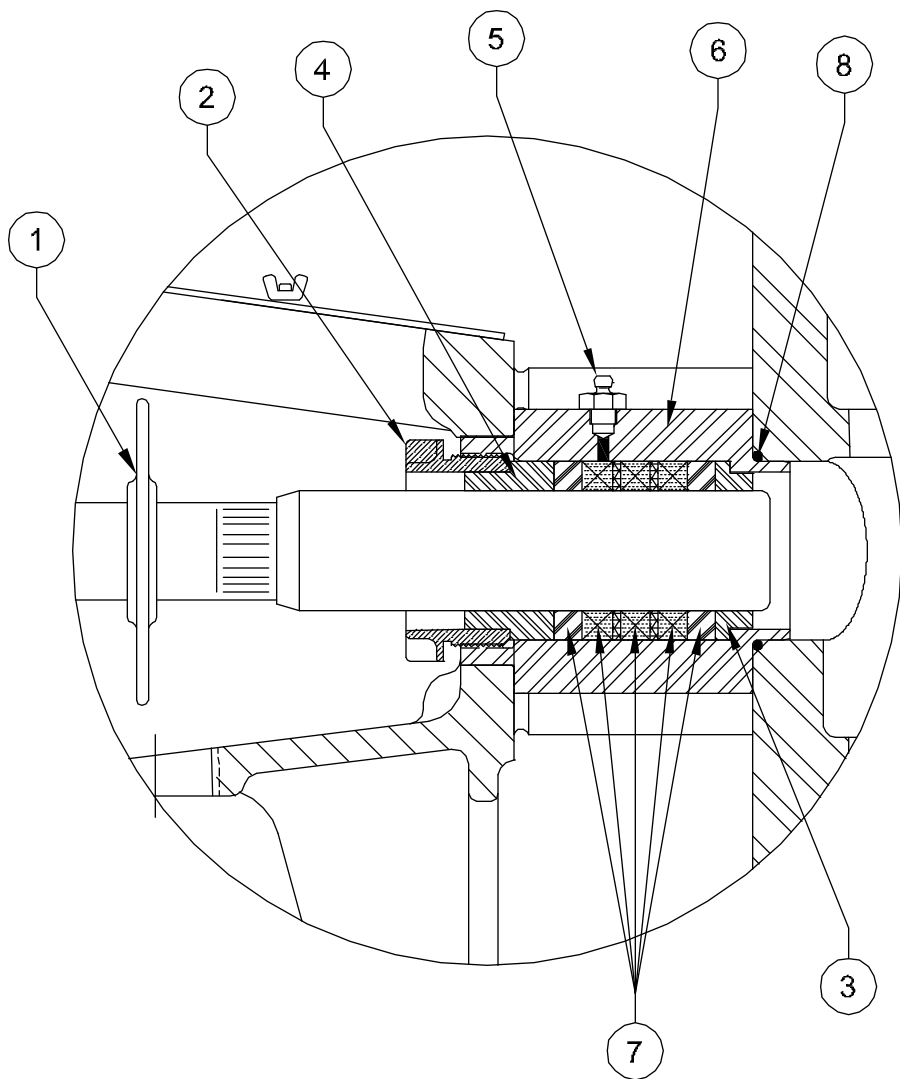
REV

A

SHT.:

8

OF 9



NOTE:

1) FOR ALL "BRAID" STYLE PACKING SEE DRAWING 118258, SHEETS 1 THRU 9.

3	110-000337-200	O-RING		8
	288-212234-458		8921-K	
	288-212234-339		249	
	288-212234-337		241	
3	288-212234-395	PACKING	238	7
	AAC-030940-278		(SS)	
3	AAC-030940-270	STUFFING BOX	(STL)	6
3	170-018002-278	PIPE PLUG	(SS)	5
	001-008745-278		(SS)	
	001-008745-235		(STL)	
3	001-008745-302	FOLLOWER	(BRZ)	4
	001-025918-278		(SS)	
	001-025918-235		(STL)	
3	001-025918-302	THROAT BUSHING	(BRZ)	3
	002-007977-E16	<*>	(XSS)	
	001-007977-351		(DI)	
3	002-007977-261	GLAND NUT	(SS)	2
3	001-007986-201	BAFFLE DISC		1
(2-1/2 PLUNGER)				
REQ'D	Part No.	DESCRIPTION		ITEM
BILL OF MATERIAL				

112

<*> COATED STAINLESS STEEL



HOUSTON, TEXAS, U.S.A.

ENGINEERING, TULSA, OKLAHOMA

TITLE:

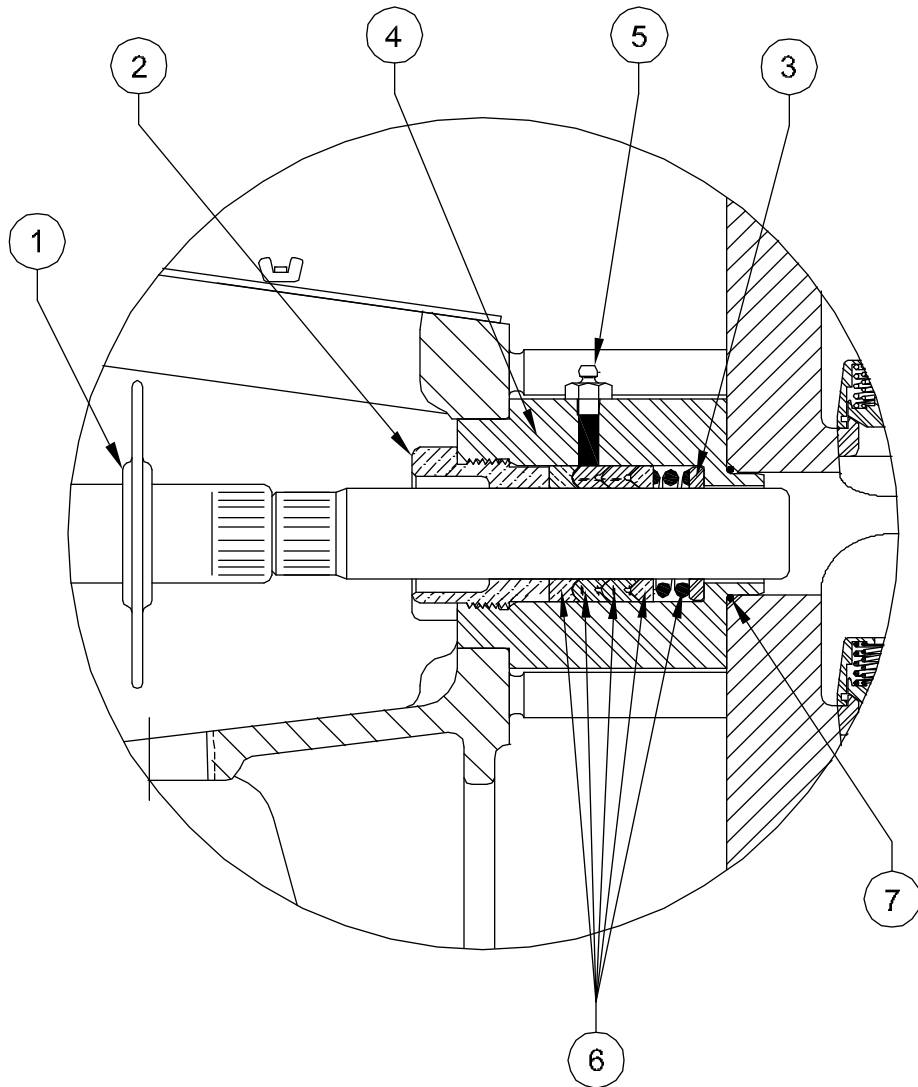
ASSEMBLY, PLUNGER KIT
 "BRAID" STYLE PKG, 1-1/2" THRU 2-1/2" PLGR
 59T-3MC (T365-AMC)

DWG No.: 118258

SCALE: NONE

REV A

SHT.: 9 OF 9



NOTE:

1) FOR ALL "SSF-4" STYLE PACKING SEE DRAWING 118259, SHEETS 1 THRU 9.

3	110-000337-200	O-RING		7
	432-112238-473		1043-4	
3	432-112238-340	PACKING	1068-4	6
3	170-018002-278	PIPE PLUG	(SS)	5
	AAC-030944-278		(SS)	
3	AAC-030944-270	STUFFING BOX	(STL)	4
	001-010949-575		(SS)	
	001-010949-235		(STL)	
3	001-010949-302	THROAT BUSHING	(BRZ)	3
	ACC-013800-E16	<*>	(XSS)	
	001-011230-351		(DI)	
3	001-011230-304	GLAND NUT	(BRZ)	2
3	001-007986-201	BAFFLE DISC		1
(1-1/2" PLUNGER)				
REQ'D	Part No.	DESCRIPTION		ITEM
BILL OF MATERIAL				

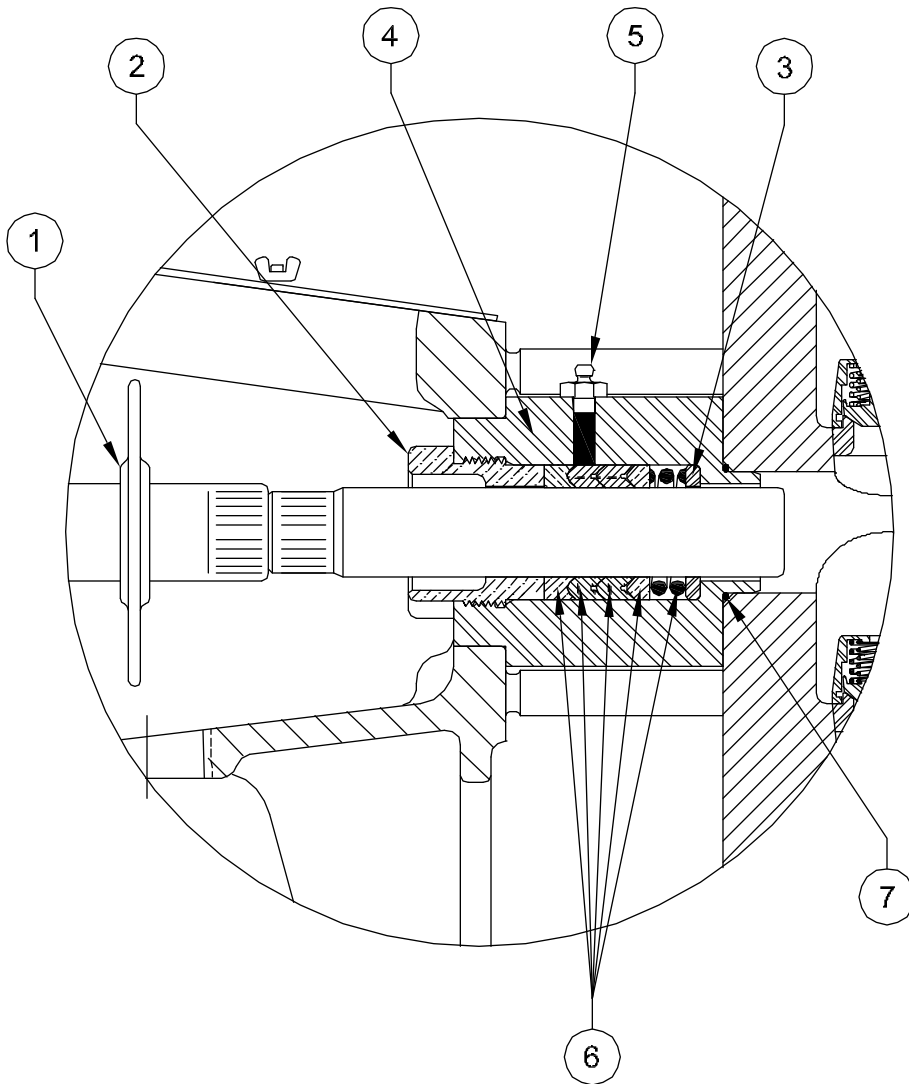
<*> COATED STAINLESS STEEL



HOUSTON, TEXAS, U.S.A. ENGINEERING, TULSA, OKLAHOMA

TITLE:
ASSEMBLY, PLUNGER KIT
"SSF-4" STYLE PKG, 1-1/2" THRU 2-1/2" PLGR
59T-3MC (T365-AMC)

DWC No.: 118259	SCALE: NONE	REV A	SHT.: 1 OF 9
-----------------	-------------	-------	--------------



NOTE:

1) FOR ALL "SSF-4" STYLE PACKING SEE DRAWING 118259, SHEETS 1 THRU 9.

3	110-000337-200	O-RING		7
	432-158238-473		1043-4	
3	432-158238-340	PACKING	1068-4	6
3	170-018002-278	PIPE PLUG	(SS)	5
	AAC-030944-278		(SS)	
3	AAC-030944-270	STUFFING BOX	(STL)	4
	001-010962-575		(SS)	
	001-010962-235		(STL)	
3	001-010962-302	THROAT BUSHING	(BRZ)	3
	ABC-013800-E16	<*>	(XSS)	
	001-011231-351		(DI)	
3	001-011231-304	GLAND NUT	(BRZ)	2
3	001-007986-201	BAFFLE DISC		1
(1-5/8" PLUNGER)				
REQ'D	Part No.	DESCRIPTION		ITEM
BILL OF MATERIAL				

<*> COATED STAINLESS STEEL

NOV NATIONAL OILWELL VARCO

HOUSTON, TEXAS, U.S.A.

ENGINEERING, TULSA, OKLAHOMA

TITLE:

ASSEMBLY, PLUNGER KIT
 "SSF-4" STYLE PKG, 1-1/2" THRU 2-1/2" PLGR
 59T-3MC (T365-AMC)

DWG No.:

118259

SCALE:

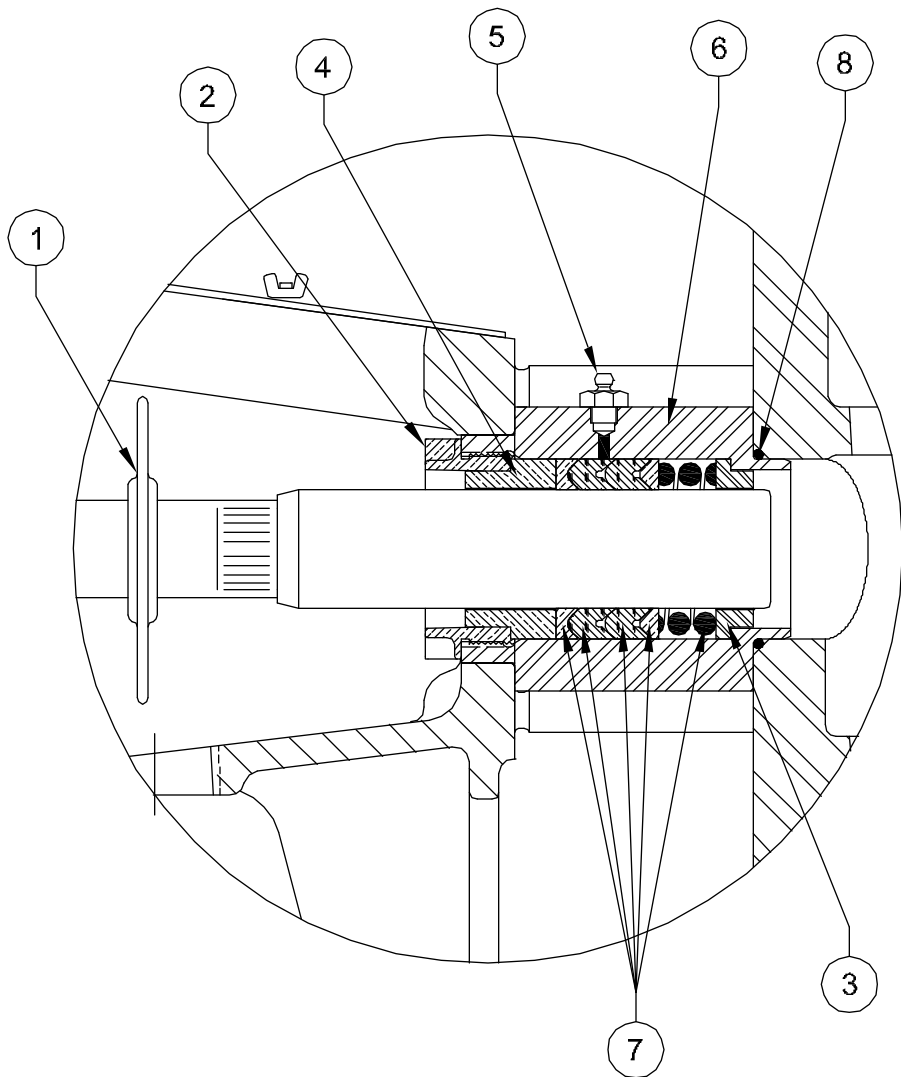
NONE

REV

A

SHT.:

2 OF 9



NOTE:

1) FOR ALL "SSF-4" STYLE PACKING SEE DRAWING 118259, SHEETS 1 THRU 9.

3	110-000337-200	O-RING		8
	428-134212-473		1043-4	
3	428-134212-340	PACKING	1068-4	7
	AAC-030940-278		(SS)	
3	AAC-030940-270	STUFFING BOX	(STL)	6
3	170-018002-278	PIPE PLUG	(SS)	5
	001-010933-575		(SS)	
	001-010933-235		(STL)	
3	001-010933-302	FOLLOWER	(BRZ)	4
	001-010897-575		(SS)	
	001-010897-235		(STL)	
3	001-010897-302	THROAT BUSHING	(BRZ)	3
	002-007977-E16	<*>	(XSS)	
	001-007977-351		(DI)	
3	002-007977-261	GLAND NUT	(SS)	2
3	001-007986-201	BAFFLE DISC		1
(1-3/4" PLUNGER)				
REQ'D	Part No.	DESCRIPTION		ITEM
BILL OF MATERIAL				

<*> COATED STAINLESS STEEL

NOV NATIONAL OILWELL VARCO

HOUSTON, TEXAS, U.S.A.

ENGINEERING, TULSA, OKLAHOMA

TITLE:

ASSEMBLY, PLUNGER KIT
"SSF-4" STYLE PKG, 1-1/2" THRU 2-1/2" PLGR
59T-3MC (T365-AMC)

DWG No.:

118259

SCALE:

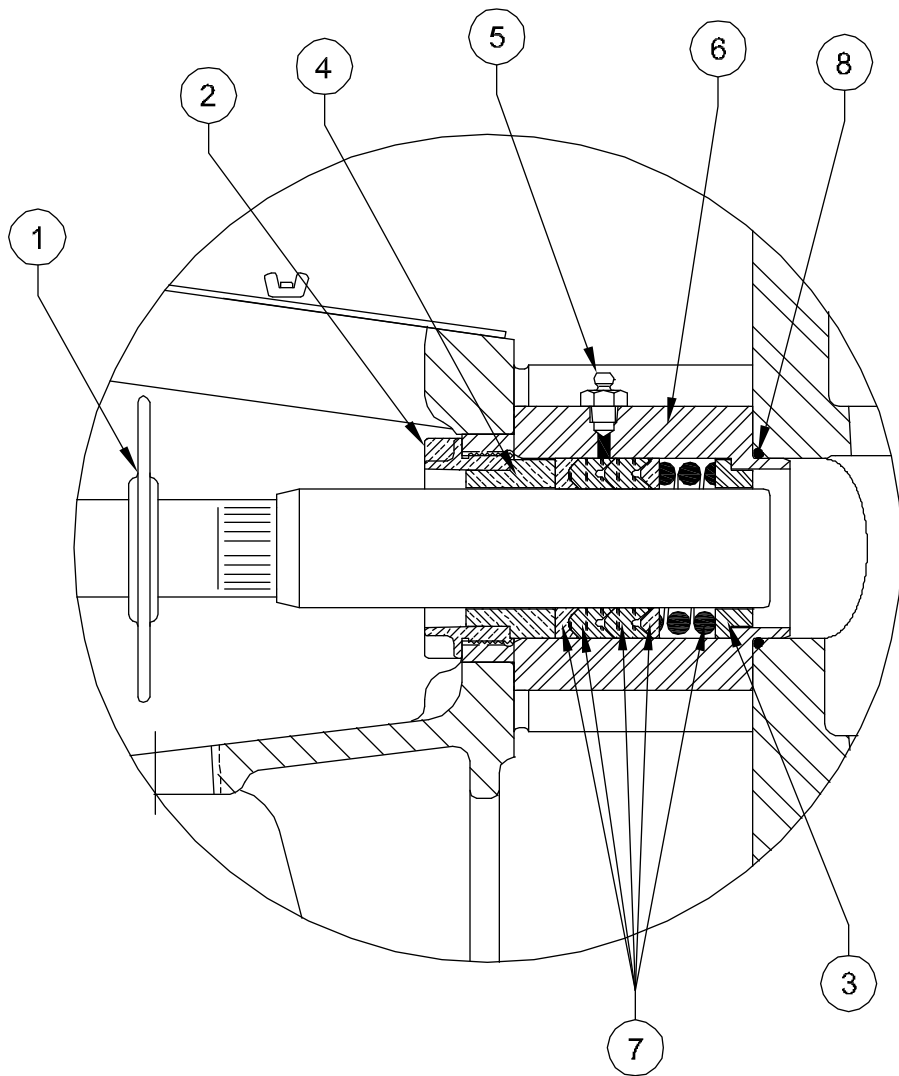
NONE

REV

A

SHT.:

3 OF 9



NOTE:

1) FOR ALL "SSF-4" STYLE PACKING SEE DRAWING 118259, SHEETS 1 THRU 9.

3	110-000337-200	O-RING		8
	428-178212-473		1043-4	
3	428-178212-340	PACKING	1068-4	7
	AAC-030940-278		(SS)	
3	AAC-030940-270	STUFFING BOX	(STL)	6
3	170-018002-278	PIPE PLUG	(SS)	5
	001-014459-575		(SS)	
	001-014459-235		(STL)	
3	001-014459-302	FOLLOWER	(BRZ)	4
	001-010899-575		(SS)	
	001-010899-235		(STL)	
3	001-010899-302	THROAT BUSHING	(BRZ)	3
	002-007977-E16	<*>	(XSS)	
	001-007977-351		(DI)	
3	002-007977-261	GLAND NUT	(SS)	2
3	001-007986-201	BAFFLE DISC		1
(1-7/8" PLUNGER)				
REQ'D	Part No.	DESCRIPTION		ITEM
BILL OF MATERIAL				

<*> COATED STAINLESS STEEL

116

NOV NATIONAL OILWELL VARCO

HOUSTON, TEXAS, U.S.A.

ENGINEERING, TULSA, OKLAHOMA

TITLE:

ASSEMBLY, PLUNGER KIT
 "SSF-4" STYLE PKG, 1-1/2" THRU 2-1/2" PLGR
 59T-3MC (T365-AMC)

DWG No.:

118259

SCALE:

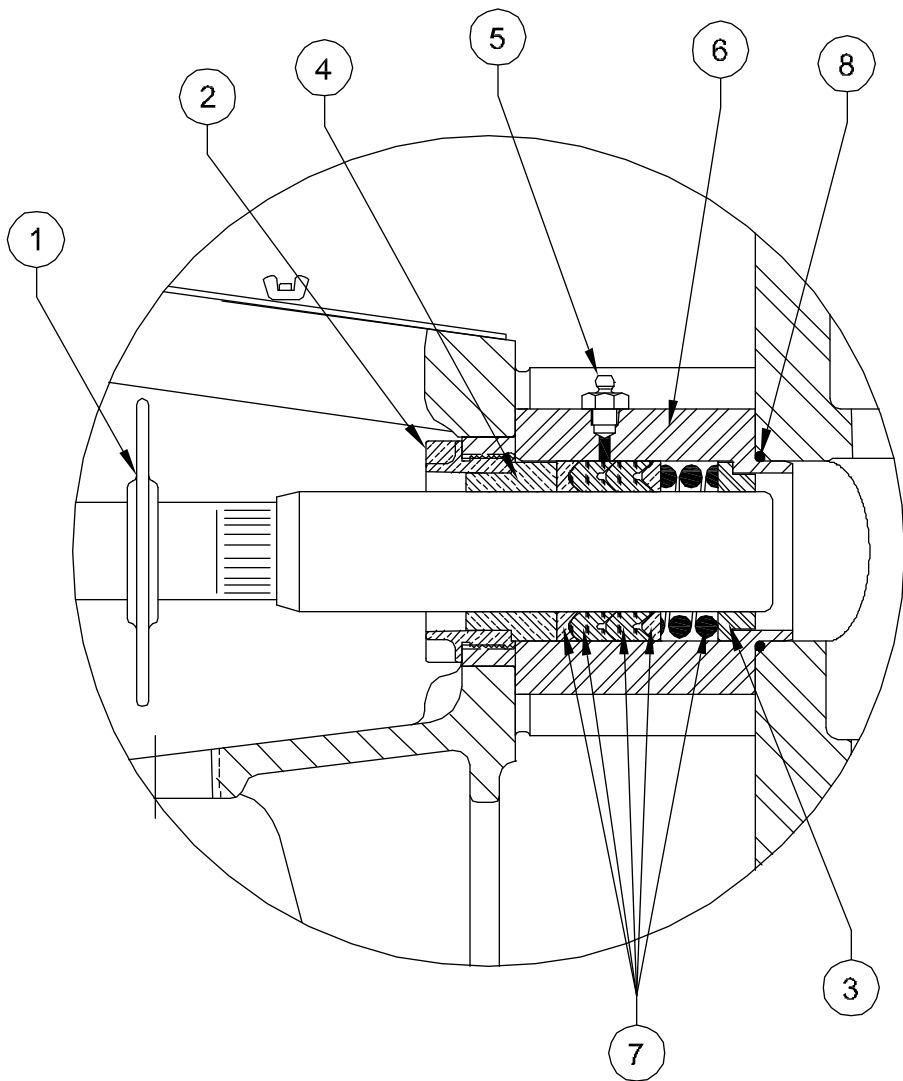
NONE

REV

A

SHT.:

4 OF 9



NOTE:

1) FOR ALL "SSF-4" STYLE PACKING SEE DRAWING 118259, SHEETS 1 THRU 9.

3	110-000337-200	O-RING		8
	428-200238-473		1043-4	
3	428-200238-340	PACKING	1068-4	7
	AAC-030940-278		(SS)	
3	AAC-030940-270	STUFFING BOX	(STL)	6
3	170-018002-278	PIPE PLUG	(SS)	5
	001-010931-575		(SS)	
	001-010931-235		(STL)	
3	001-010931-302	FOLLOWER	(BRZ)	4
	001-010901-575		(SS)	
	001-010901-235		(STL)	
3	001-010901-302	THROAT BUSHING	(BRZ)	3
	002-007977-E16	<*>	(XSS)	
	001-007977-351		(DI)	
3	002-007977-261	GLAND NUT	(SS)	2
3	001-007986-201	BAFFLE DISC		1
(2" PLUNGER)				
REQ'D	Part No.	DESCRIPTION		ITEM
BILL OF MATERIAL				

<*> COATED STAINLESS STEEL

NOV NATIONAL OILWELL VARCO

HOUSTON, TEXAS, U.S.A.

ENGINEERING, TULSA, OKLAHOMA

TITLE:

ASSEMBLY, PLUNGER KIT

"SSF-4" STYLE PKG, 1-1/2" THRU 2-1/2" PLGR
59T-3MC (T365-AMC)

DWG No.:

118259

SCALE:

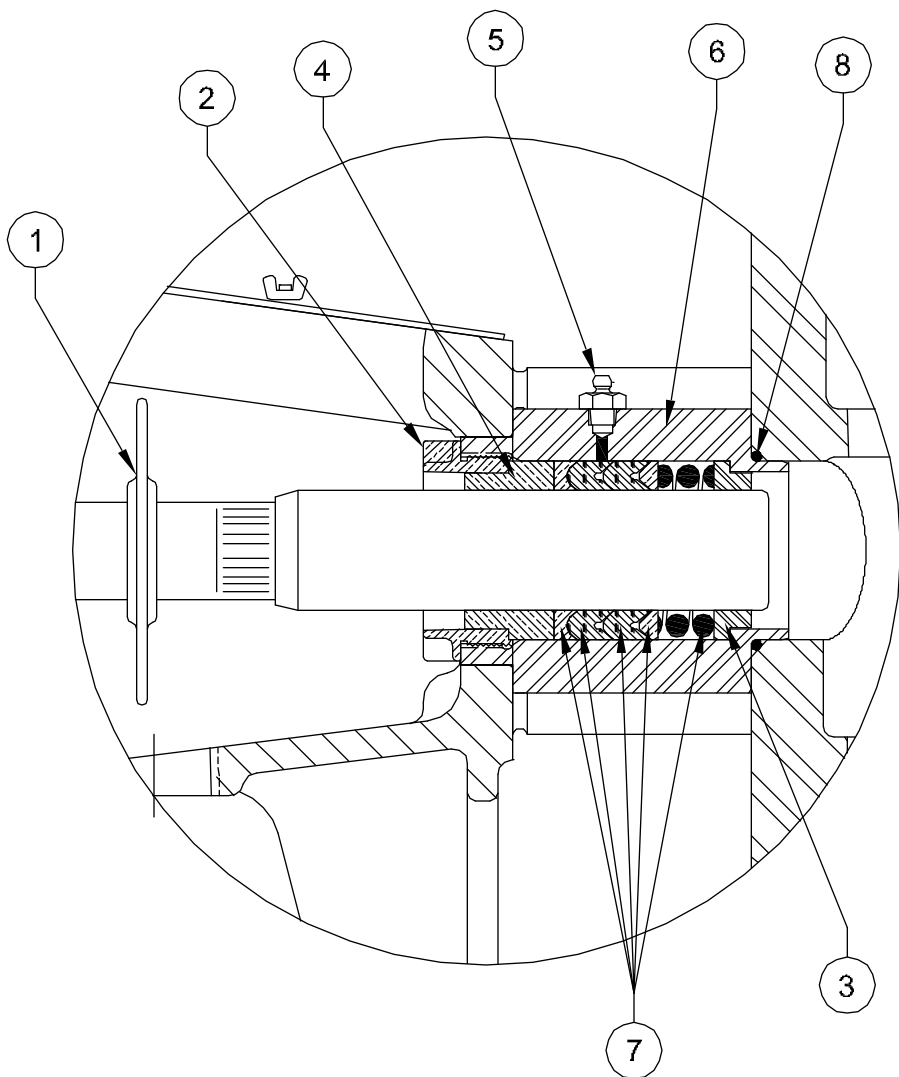
NONE

REV

A

SHT.:

5 OF 9



NOTE:

1) FOR ALL "SSF-4" STYLE PACKING SEE DRAWING 118259, SHEETS 1 THRU 9.

3	110-000337-200	O-RING		8
	428-218212-473		1043-4	
3	428-218212-340	PACKING	1068-4	7
	AAC-030940-278		(SS)	
3	AAC-030940-270	STUFFING BOX	(STL)	6
3	170-018002-278	PIPE PLUG	(SS)	5
	001-014458-575		(SS)	
	001-014458-235		(STL)	
3	001-014458-302	FOLLOWER	(BRZ)	4
	001-010902-575		(SS)	
	001-010902-235		(STL)	
3	001-010902-302	THROAT BUSHING	(BRZ)	3
	002-007977-E16	<*>	(XSS)	
	001-007977-351		(DI)	
3	002-007977-261	GLAND NUT	(SS)	2
3	001-007986-201	BAFFLE DISC		1
(2-1/8" PLUNGER)				
REQ'D	Part No.	DESCRIPTION		ITEM
BILL OF MATERIAL				

<*> COATED STAINLESS STEEL

NOV NATIONAL OILWELL VARCO

HOUSTON, TEXAS, U.S.A.

ENGINEERING, TULSA, OKLAHOMA

TITLE:

ASSEMBLY, PLUNGER KIT
 "SSF-4" STYLE PKG, 1-1/2" THRU 2-1/2" PLGR
 59T-3MC (T365-AMC)

DWG No.:

118259

SCALE:

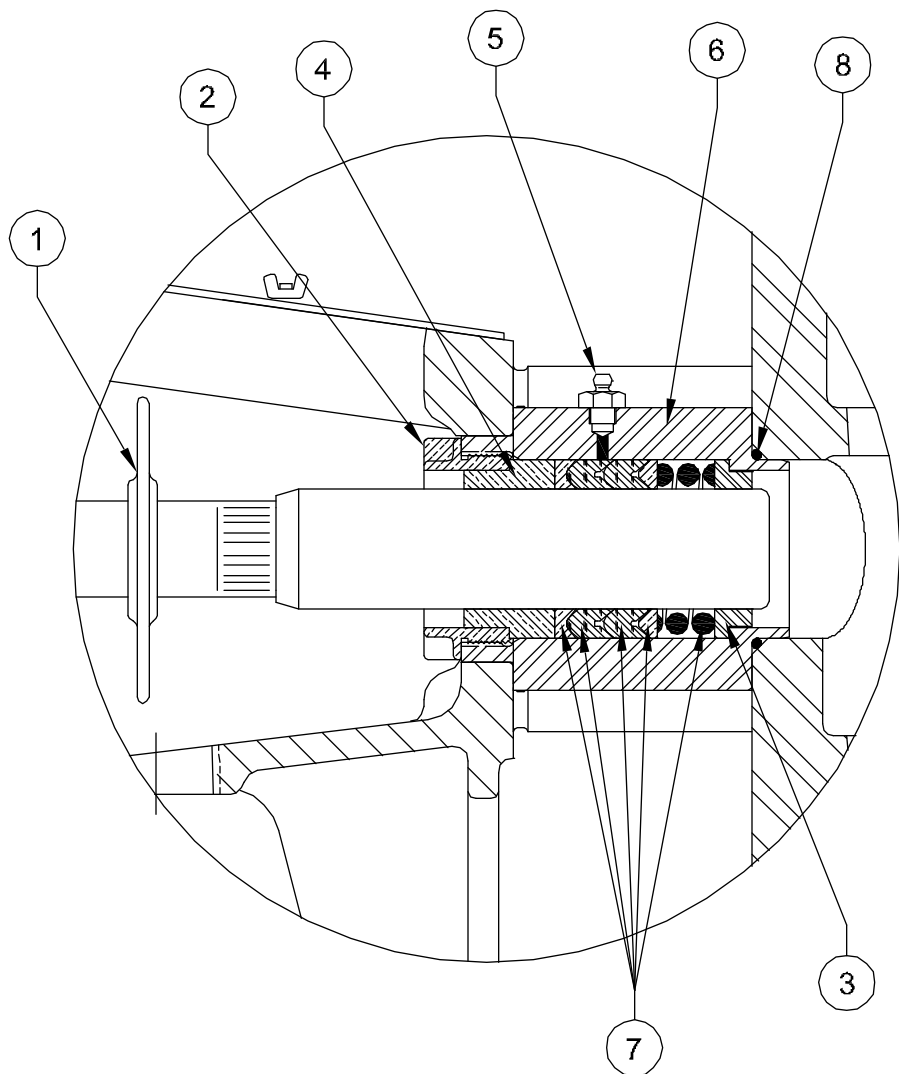
NONE

REV

A

SHT.:

6 OF 9



NOTE:

1) FOR ALL "SSF-4" STYLE PACKING SEE DRAWING 118259, SHEETS 1 THRU 9.

3	110-000337-200	O-RING		8
	428-214212-473		1043-4	
3	428-214212-340	PACKING	1068-4	7
	AAC-030940-278		(SS)	
3	AAC-030940-270	STUFFING BOX	(STL)	6
3	170-018002-278	PIPE PLUG	(SS)	5
	001-007983-575		(SS)	
	001-007983-235		(STL)	
3	001-007983-302	FOLLOWER	(BRZ)	4
	001-007979-575		(SS)	
	001-007979-235		(STL)	
3	001-007979-302	THROAT BUSHING	(BRZ)	3
	002-007977-E16	<*>	(XSS)	
	001-007977-351		(DI)	
3	002-007977-261	GLAND NUT	(SS)	2
3	001-007986-201	BAFFLE DISC		1
	(2-1/4" PLUNGER)			
REQ'D	Part No.	DESCRIPTION		ITEM
BILL OF MATERIAL				

<*> COATED STAINLESS STEEL



HOUSTON, TEXAS, U.S.A.

ENGINEERING, TULSA, OKLAHOMA

TITLE:

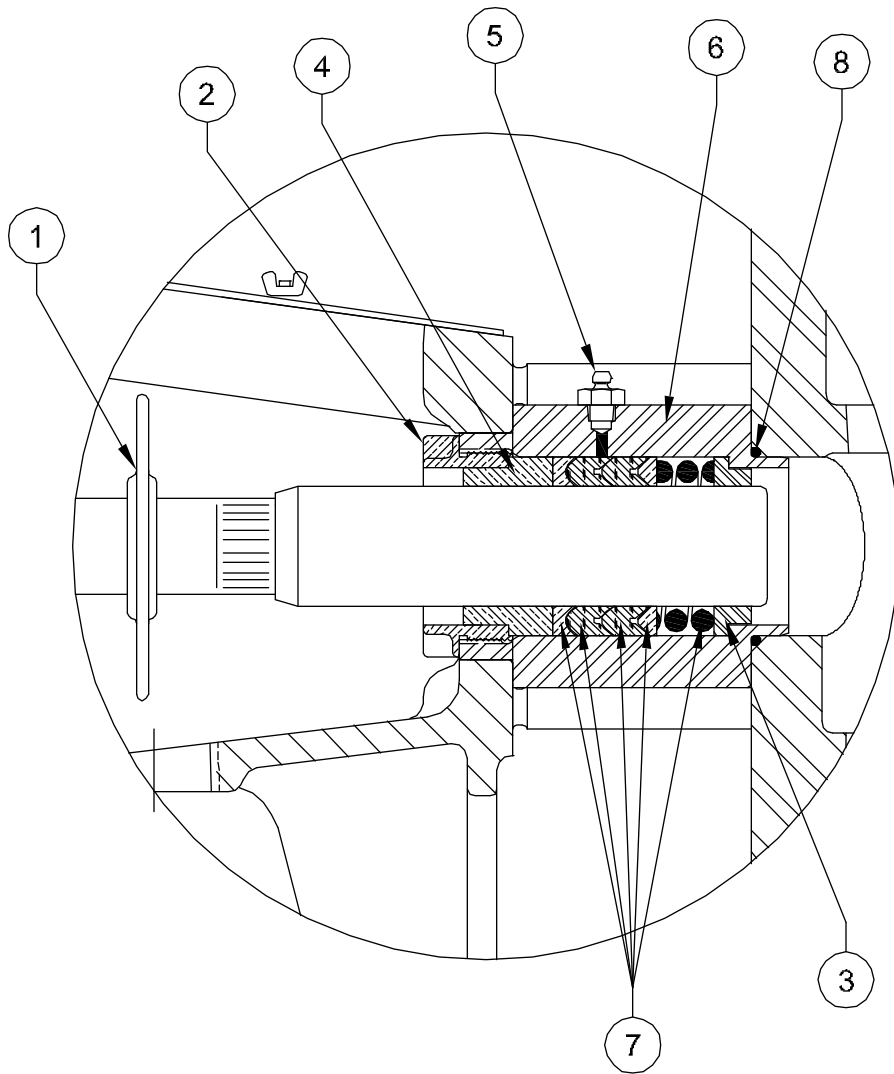
ASSEMBLY, PLUNGER KIT
 "SSF-4" STYLE PKG, 1-1/2" THRU 2-1/2" PLGR
 59T-3MC (T365-AMC)

DWG No.: 118259

SCALE: NONE

REV A

SHT.: 7 OF 9



NOTE:

1) FOR ALL "SSF-4" STYLE PACKING SEE DRAWING 118259, SHEETS 1 THRU 9.

3	110-000337-200	O-RING	8
	428-238212-473		1043-4
3	428-238212-340	PACKING	1068-4
	AAC-030940-278		(SS)
3	AAC-030940-270	STUFFING BOX	(STL)
3	170-018002-278	PIPE PLUG	(SS)
	001-024393-575		(SS)
	001-024393-235		(STL)
3	001-024393-302	FOLLOWER	(BRZ)
	001-024394-575		(SS)
	001-024394-235		(STL)
3	001-024394-302	THROAT BUSHING	(BRZ)
	002-007977-E16	<*>	(XSS)
	001-007977-351		(DI)
3	002-007977-261	GLAND NUT	(SS)
3	001-007986-201	BAFFLE DISC	1
(2-3/8 PLUNGER)			
REQ'D	Part No.	DESCRIPTION	ITEM
BILL OF MATERIAL			

<*> COATED STAINLESS STEEL

120

NOV NATIONAL OILWELL VARCO

HOUSTON, TEXAS, U.S.A.

ENGINEERING, TULSA, OKLAHOMA

TITLE:

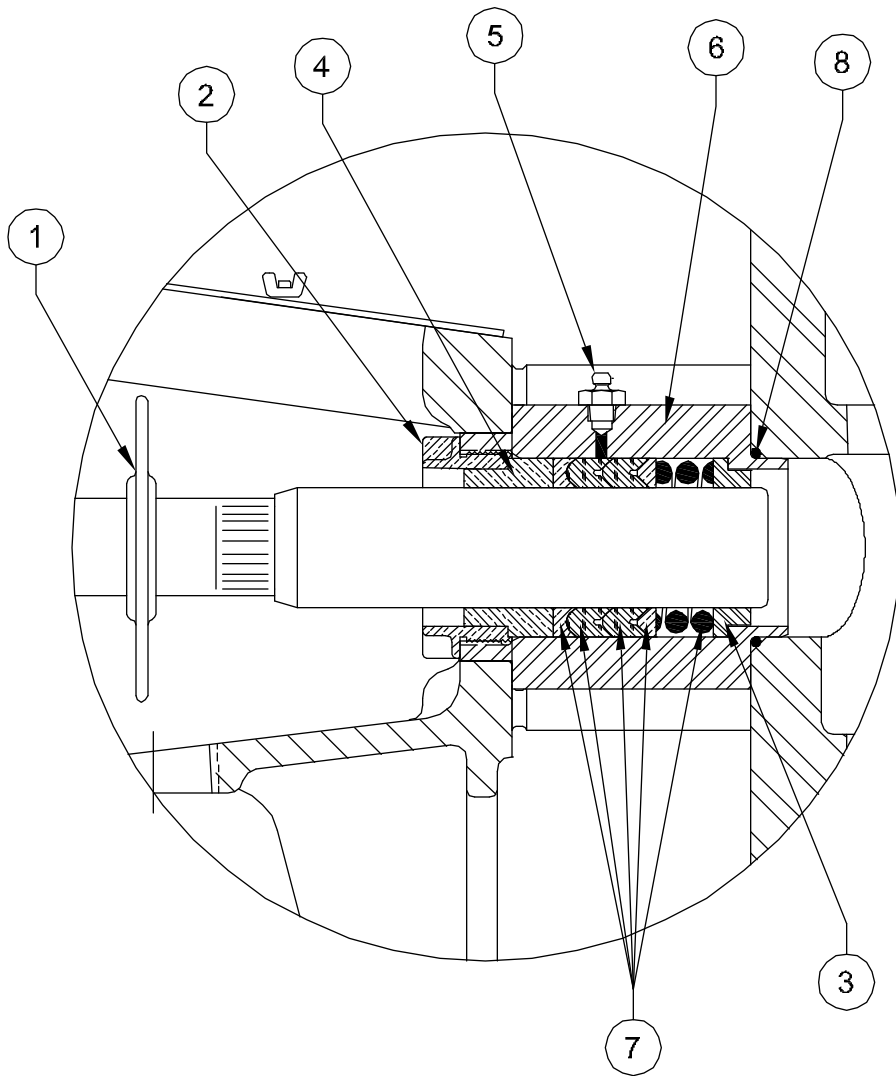
ASSEMBLY, PLUNGER KIT
 "SSF-4" STYLE PKG, 1-1/2" THRU 2-1/2" PLGR
 59T-3MC (T365-AMC)

DWG No.: 118259

SCALE: NONE

REV A

SHT.: 8 OF 9



NOTE:

1) FOR ALL "SSF-4" STYLE PACKING SEE DRAWING 118259, SHEETS 1 THRU 9.

3	110-000337-200	O-RING		8
	428-212244-473		1043-4	
3	428-212244-340	PACKING	1068-4	7
	AAC-030940-278		(SS)	
3	AAC-030940-270	STUFFING BOX	(STL)	6
3	170-018002-278	PIPE PLUG	(SS)	5
	001-008745-575		(SS)	
	001-008745-235		(STL)	
3	001-008745-302	FOLLOWER	(BRZ)	4
	001-025918-575		(SS)	
	001-025918-235		(STL)	
3	001-025918-302	THROAT BUSHING	(BRZ)	3
	002-007977-E16	<*>	(XSS)	
	001-007977-351		(DI)	
3	002-007977-261	GLAND NUT	(SS)	2
3	001-007986-201	BAFFLE DISC		1
(2-1/2 PLUNGER)				
REQ'D	Part No.	DESCRIPTION		ITEM
BILL OF MATERIAL				

<*> COATED STAINLESS STEEL

121

NOV NATIONAL OILWELL VARCO

HOUSTON, TEXAS, U.S.A.

ENGINEERING, TULSA, OKLAHOMA

TITLE:

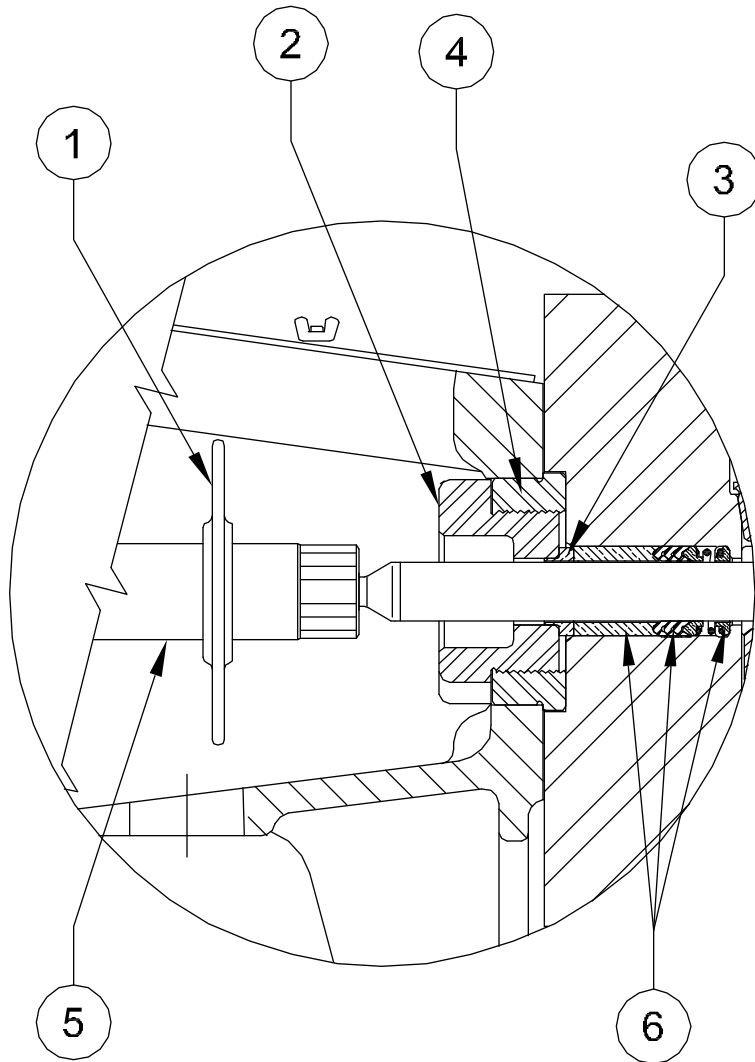
ASSEMBLY, PLUNGER KIT
 "SSF-4" STYLE PKG, 1-1/2" THRU 2-1/2" PLGR
 59T-3MC (T365-AMC)

DWG No.: 118259

SCALE: NONE

REV A

SH1.: 9 OF 9



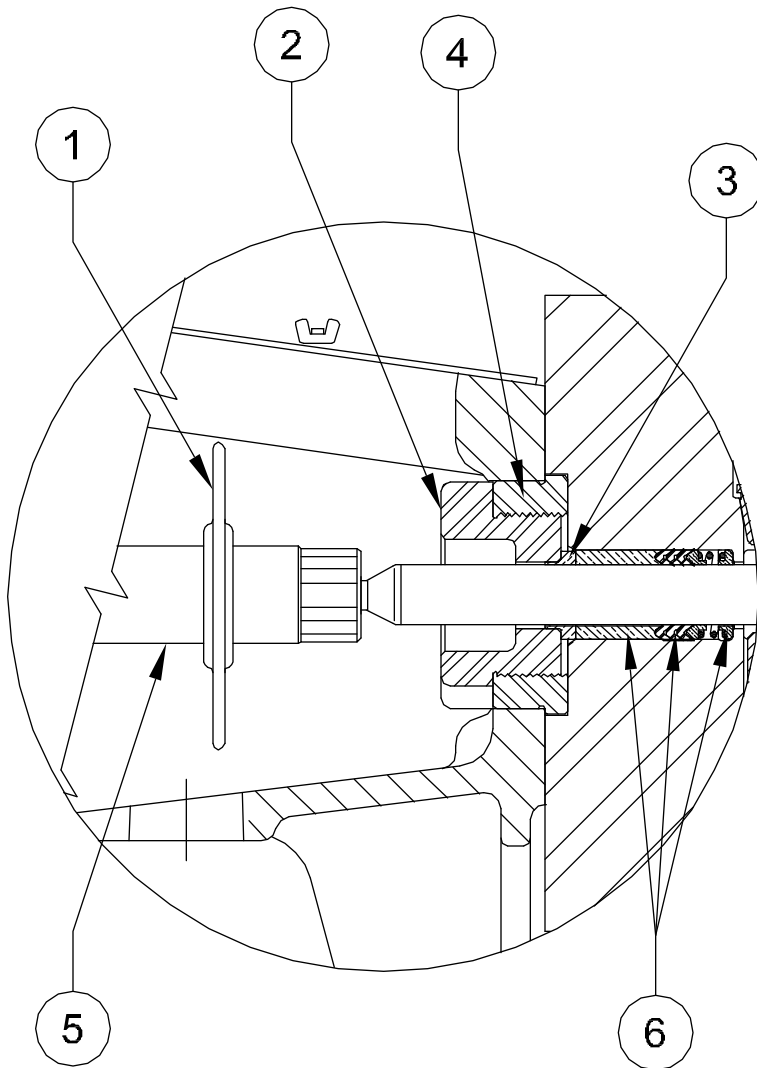
	297-034258-484		6625-4	
3	297-034258-397	PACKING	805-4	6
3	001-009090-402	ADAPTER ROD	(SS)	5
3	001-009075-310	ADAPTER PE/FE	(BRZ)	4
	001-017049-575		(SS)	
	001-017049-235		(STL)	
3	001-017049-302	FOLLOWER	(BRZ)	3
	001-009071-351		(DI)	
3	001-009071-301	GLAND NUT	(BRZ)	2
3	001-007986-201	BAFFLE DISC		1
(3/4" PLUNGER)				
REQ'D	Part No.	DESCRIPTION		ITEM
BILL OF MATERIAL				

NOTE

1) FOR ALL "SF-4" STYLE PACKING SEE DRAWING 118039 SHEETS 1 THRU 3

122

NOV NATIONAL OILWELL VARCO			
HOUSTON, TEXAS, U.S.A.		ENGINEERING, TULSA, OKLAHOMA	
TITLE: ASSEMBLY, PLUNGER KIT "SF-4" STYLE PKG, 3/4" THRU 1" PLUNGER 59T-3H (T365H)			
DWC No.:	118039	SCALE:	NONE
REV	A	SHT.:	1 OF 3



	297-078258-484		6625-4	
3	297-078258-397	PACKING	805-4	6
3	001-009090-402	ADAPTER ROD	(SS)	5
3	001-009075-310	ADAPTER PE/FE	(BRZ)	4
	001-014719-575		(SS)	
	001-014719-235		(STL)	
3	001-014719-302	FOLLOWER	(BRZ)	3
	001-009071-351		(DI)	
3	001-009071-301	GLAND NUT	(BRZ)	2
3	001-007986-201	BAFFLE DISC		1
(7/8" PLUNGER)				
REQ'D	Part No.	DESCRIPTION		ITEM
BILL OF MATERIAL				

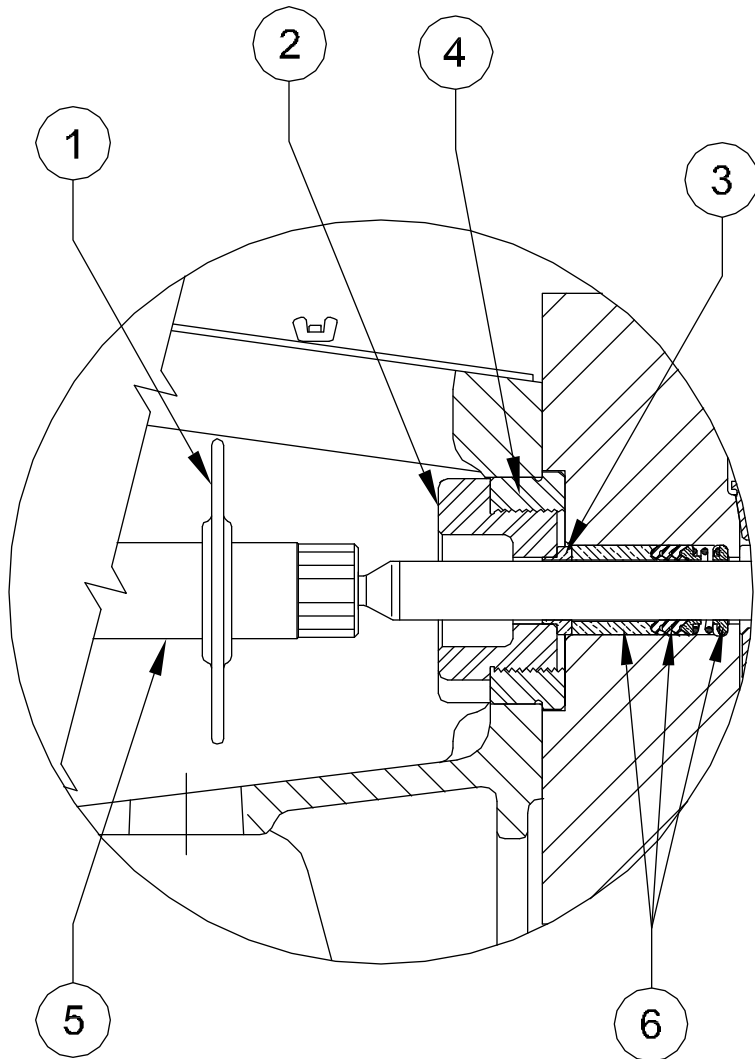
NOTE
 1) FOR ALL "SF-4" STYLE PACKING SEE DRAWING
 118039 SHEETS 1 THRU 3

123

NOV NATIONAL OILWELL VARCO
 HOUSTON, TEXAS, U.S.A. ENGINEERING, TULSA, OKLAHOMA

TITLE:
 ASSEMBLY, PLUNGER KIT
 "SF-4" STYLE PKG, 3/4" THRU 1" PLUNGER
 59T-3H (T365H)

DWG No.:	SCALE:	REV	SHT.:
118039	NONE	A	2 of 3



	297-100258-484		6625-4	
3	297-100258-397	PACKING	805-4	6
3	001-009090-402	ADAPTER ROD	(SS)	5
3	001-009075-310	ADAPTER PE/FE	(BRZ)	4
	001-017050-575		(SS)	
	001-017050-235		(STL)	
3	001-017050-302	FOLLOWER	(BRZ)	3
	001-009071-351		(DI)	
3	001-009071-301	GLAND NUT	(BRZ)	2
3	001-007986-201	BAFFLE DISC		1
(1" PLUNGER)				
REQ'D	Part No.	DESCRIPTION		ITEM
BILL OF MATERIAL				

NOTE

1) FOR ALL "SF-4" STYLE PACKING SEE DRAWING 118039 SHEETS 1 THRU 3

124



HOUSTON, TEXAS, U.S.A.

ENGINEERING, TULSA, OKLAHOMA

TITLE:

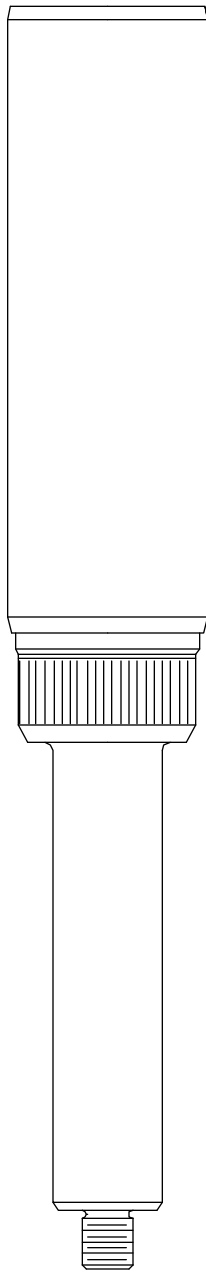
ASSEMBLY, PLUNGER KIT
 "SF-4" STYLE PKG, 3/4" THRU 1" PLUNGER
 59T-3H (T365H)

DWG No.: 118039

SCALE: NONE

REV A

SHT.: 3 OF 3

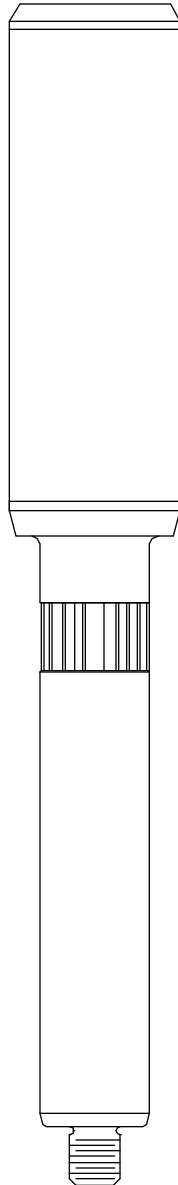


← PLUNGER DIA.
(REF.)

3	002-010553-999	3" DIA. PLUNGER, CERAMIC	1
3	AAB-028529-999	2-7/8" DIA. PLUNGER, CERAMIC	1
3	002-010552-999	2-3/4" DIA. PLUNGER, CERAMIC	1
3	ADC-116190-E33	2-5/8" DIA. PLUNGER, CERAMIC	1
3	002-027480-999	2-1/2" DIA. PLUNGER, CERAMIC	1
3	ADC-009810-E33	2-3/8" DIA. PLUNGER, CERAMIC	1
3	002-027479-999	2-1/4" DIA. PLUNGER, CERAMIC	1
REQ'D	Part No.	DESCRIPTION	ITEM
BILL OF MATERIAL			

125

NOV NATIONAL OILWELL VARCO			
HOUSTON, TEXAS, U.S.A.		ENGINEERING, TULSA, OKLAHOMA	
TITLE:			
PLUNGERS, 2-1/4" THRU 3" CERAMIC 59T-3L (T365AL, T365L)			
DWG No.:	SCALE:	REV	SHT.:
117812	NONE	A	1 OF 1



← PLUNGER DIA.
(REF.)

3	AAC-116316-E24	3" DIA. PLUNGER, CHROME OXIDE	
3	AAC-116316-E23	3" DIA. PLUNGER FOR AMINE SERVICE	
3	002-003807-999	3" DIA. PLUNGER, TUNGSTEN	
3	002-003807-E26	3" DIA. PLUNGER, PREMIUM TUNGSTEN	1
3	ABC-116316-E22	2-7/8" DIA. PLUNGER, CHROME OXIDE	
3	ABC-116316-E23	2-7/8" DIA. PLUNGER FOR AMINE SERVICE	
3	ABC-116316-E22	2-7/8" DIA. PLUNGER, TUNGSTEN	
3	ABC-116316-E26	2-7/8" DIA. PLUNGER, PREMIUM TUNGSTEN	1
3	ACC-116316-E24	2-3/4" DIA. PLUNGER, CHROME OXIDE	
3	ACC-116316-E23	2-3/4" DIA. PLUNGER FOR AMINE SERVICE	
3	002-011065-999	2-3/4" DIA. PLUNGER, TUNGSTEN	
3	002-011065-E26	2-3/4" DIA. PLUNGER, PREMIUM TUNGSTEN	1
3	ADC-116316-E24	2-5/8" DIA. PLUNGER, CHROME OXIDE	
3	ADC-116316-E23	2-5/8" DIA. PLUNGER FOR AMINE SERVICE	
3	ADC-116316-E22	2-5/8" DIA. PLUNGER, TUNGSTEN	
3	ADC-116316-E26	2-5/8" DIA. PLUNGER, PREMIUM TUNGSTEN	1
3	AEC-116316-E24	2-1/2" DIA. PLUNGER, CHROME OXIDE	
3	AEC-116316-E23	2-1/2" DIA. PLUNGER FOR AMINE SERVICE	
3	002-027482-999	2-1/2" DIA. PLUNGER, TUNGSTEN	
3	002-027482-E26	2-1/2" DIA. PLUNGER, PREMIUM TUNGSTEN	1
3	AFC-116316-E24	2-3/8" DIA. PLUNGER, CHROME OXIDE	
3	AFC-116316-E23	2-3/8" DIA. PLUNGER FOR AMINE SERVICE	
3	AAB-029495-E22	2-3/8" DIA. PLUNGER, TUNGSTEN	
3	AAB-029495-E26	2-3/8" DIA. PLUNGER, PREMIUM TUNGSTEN	1
3	AGC-116316-E24	2-1/4" DIA. PLUNGER, CHROME OXIDE	
3	AGC-116316-E23	2-1/4" DIA. PLUNGER FOR AMINE SERVICE	
3	002-027481-999	2-1/4" DIA. PLUNGER, TUNGSTEN	
3	002-027481-E26	2-1/4" DIA. PLUNGER, PREMIUM TUNGSTEN	1
REQ'D	Part No.	DESCRIPTION	ITEM

BILL OF MATERIAL

126

NOV NATIONAL OILWELL VARCO

HOUSTON, TEXAS, U.S.A.

ENGINEERING, TULSA, OKLAHOMA

TITLE:

PLUNGERS 2-1/4" THRU 3"
HARD SURFACE
59T-3L (T365AL, T365L)

D/WG No.:

117823

SCALE:

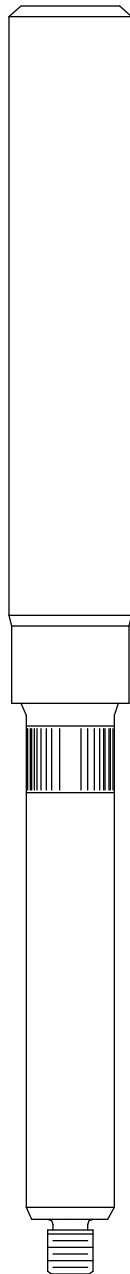
NONE

REV

A

SHT.:

1 OF 1



← PLUNGER DIA.
(REF.)

3	002-009810-999	2-1/2" DIA. PLUNGER, CERAMIC	1
3	ADC-009810-E33	2-3/8" DIA. PLUNGER, CERAMIC	1
3	002-009765-999	2-1/4" DIA. PLUNGER, CERAMIC	1
3	002-017145-999	2-1/8" DIA. PLUNGER, CERAMIC	1
3	002-009769-999	2" DIA. PLUNGER, CERAMIC	1
3	002-018146-999	1-7/8" DIA. PLUNGER, CERAMIC	1
3	002-009766-999	1-3/4" DIA. PLUNGER, CERAMIC	1
REQ'D	Part No.	DESCRIPTION	ITEM
BILL OF MATERIAL			

127

NOV NATIONAL OILWELL VARCO

HOUSTON, TEXAS, U.S.A.

ENGINEERING, TULSA, OKLAHOMA

TITLE:

PLUNGERS, 1-3/4" THRU 2-1/2"
CERAMIC
59T-3M (T365AM, T365M)

DWG No.:

117822

SCALE:

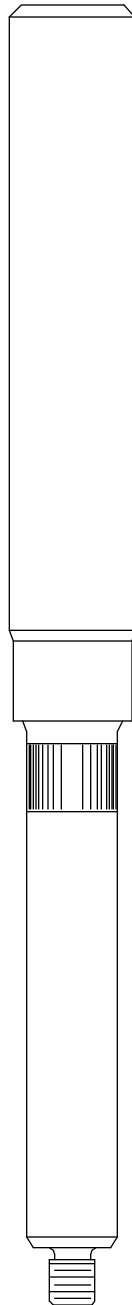
NONE

REV

A

SHT.:

1 OF 1



PLUNGER DIA.
(REF.)

3	AAC-115980-E24	2-1/2" DIA. PLUNGER, CHROME OXIDE	
3	002-009529-E23	2-1/2" DIA. PLUNGER FOR AMINE SERVICE	
3	002-009529-999	2-1/2" DIA. PLUNGER, TUNGSTEN	
3	002-009529-E26	2-1/2" DIA. PLUNGER, PREMIUM TUNGSTEN	1
3	ABC-115980-E24	2-3/8" DIA. PLUNGER, CHROME OXIDE	
3	ABC-115980-E23	2-3/8" DIA. PLUNGER FOR AMINE SERVICE	
3	ABC-115980-E22	2-3/8" DIA. PLUNGER, TUNGSTEN	
3	ABC-115980-E26	2-3/8" DIA. PLUNGER, PREMIUM TUNGSTEN	1
3	ACC-115980-E24	2-1/4" DIA. PLUNGER, CHROME OXIDE	
3	002-010869-E23	2-1/4" DIA. PLUNGER, FOR AMINE SERVICE	
3	002-010869-999	2-1/4" DIA. PLUNGER, TUNGSTEN	
3	002-010869-000	2-1/4" DIA. PLUNGER, PREMIUM TUNGSTEN	1
3	002-014460-E24	2-1/8" DIA. PLUNGER, CHROME OXIDE	
3	002-014460-E23	2-1/8" DIA. PLUNGER FOR AMINE SERVICE	
3	002-014460-999	2-1/8" DIA. PLUNGER, TUNGSTEN	
3	002-014460-E26	2-1/8" DIA. PLUNGER, PREMIUM TUNGSTEN	1
3	002-010862-E24	2" DIA. PLUNGER, CHROME OXIDE	
3	002-010862-E23	2" DIA. PLUNGER FOR AMINE SERVICE	
3	002-010862-999	2" DIA. PLUNGER, TUNGSTEN	
3	002-010862-E26	2" DIA. PLUNGER, PREMIUM TUNGSTEN	1
3	AFC-115980-E24	1-7/8" DIA. PLUNGER, CHROME OXIDE	
3	AFC-115980-E23	1-7/8" DIA. PLUNGER FOR AMINE SERVICE	
3	002-014461-999	1-7/8" DIA. PLUNGER, TUNGSTEN	
3	002-014461-E26	1-7/8" DIA. PLUNGER, PREMIUM TUNGSTEN	1
3	AGC-115980-E24	1-3/4" DIA. PLUNGER, CHROME OXIDE	
3	002-010861-E23	1-3/4" DIA. PLUNGER FOR AMINE SERVICE	
3	002-010861-999	1-3/4" PLUNGER, TUNGSTEN	
3	002-010861-E26	1-3/4" DIA. PLUNGER, PREMIUM TUNGSTEN	1
REQ'D	Part No.	DESCRIPTION	ITEM

BILL OF MATERIAL

128



HOUSTON, TEXAS, U.S.A.

ENGINEERING, TULSA, OKLAHOMA

TITLE:

PLUNGERS, 1-3/4" THRU 2-1/2"
HARD SURFACE
59T-3M (T365AM, T365M)

DWG No.:

117813

SCALE:

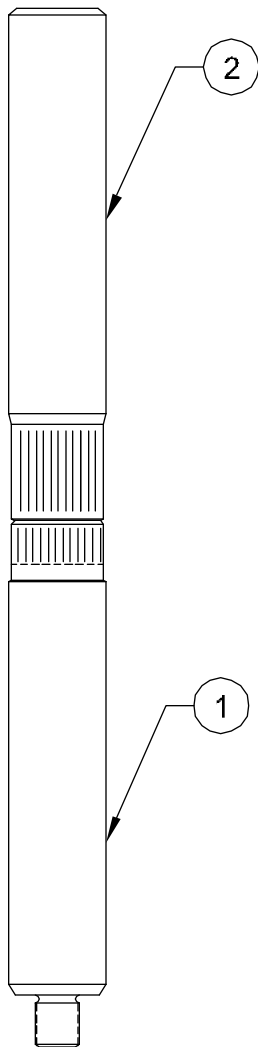
NONE

REV

A

SHT.:

1 of 1



3	002-012171-999	1-5/8" DIA. PLUNGER, CERAMIC	2
3	001-010260-402	ADAPTER ROD	1
3	002-010484-999	1-1/2" DIA. PLUNGER, CERAMIC	2
3	001-010260-402	ADAPTER ROD	1
3	002-012160-999	1-3/8" DIA. PLUNGER, CERAMIC	2
3	001-010260-402	ADAPTER ROD	1
3	002-010483-999	1-1/4" DIA. PLUNGER, CERAMIC	2
3	001-010260-402	ADAPTER ROD	1
3	NOT AVAILABLE	1-1/8" DIA. PLUNGER, CERAMIC	2
3	001-009090-402	ADAPTER ROD	1
REQ'D	Part No.	DESCRIPTION	ITEM
BILL OF MATERIAL			

129

NOV NATIONAL OILWELL VARCO

HOUSTON, TEXAS, U.S.A.

ENGINEERING, TULSA, OKLAHOMA

TITLE:

PLUNGERS 1-1/8" THRU 1-5/8", CERAMIC
59T-3MSC (T365MS, T365-2)
59T-3MC (T385-3)

DWG No.:

117824

SCALE:

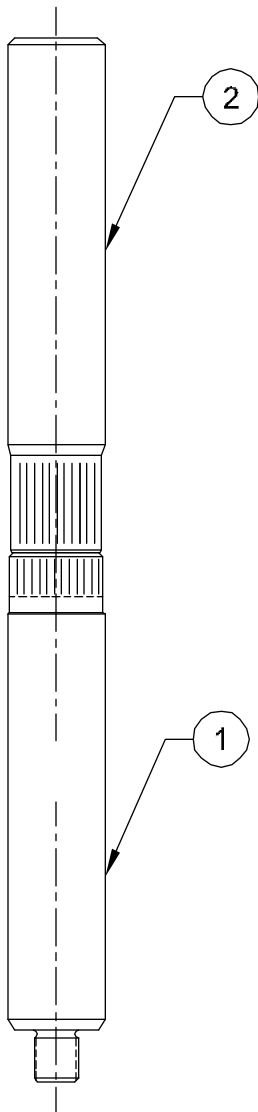
NONE

REV

A

SHT.:

1 OF 1



3	002-029348-E24	1-5/8" DIA. PLUNGER, CHROME OXIDE	
3	002-029348-999	1-5/8" DIA. PLUNGER FOR AMINE SERVICE	
3	002-029348-999	1-5/8" DIA. PLUNGER, TUNGSTEN	
3	002-029348-E26	1-5/8" DIA. PLUNGER, PREMIUM TUNGSTEN	2
3	001-010260-402	ADAPTER ROD	1
3	002-010482-E24	1-1/2" DIA. PLUNGER, CHROME OXIDE	
3	002-010482-E23	1-1/2" DIA. PLUNGER FOR AMINE SERVICE	
3	002-010482-999	1-1/2" DIA. PLUNGER, TUNGSTEN	
3	002-010482-E26	1-1/2" DIA. PLUNGER, PREMIUM TUNGSTEN	2
3	001-010260-402	ADAPTER ROD	1
3	002-011052-E24	1-3/8" DIA. PLUNGER, CHROME OXIDE	
3	002-011052-E23	1-3/8" DIA. PLUNGER FOR AMINE SERVICE	
3	002-011052-999	1-3/8" DIA. PLUNGER, TUNGSTEN	
3	002-011052-000	1-3/8" DIA. PLUNGER, PREIMIUM TUNGSTEN	2
3	001-010260-402	ADAPTER ROD	1
3	002-011041-E24	1-1/4" DIA. PLUNGER, CHROME OXIDE	
3	002-011041-E23	1-1/4" DIA. PLUNGER FOR AMINE SERVICE	
3	002-011041-999	1-1/4" DIA. PLUNGER, TUNGSTEN	
3	002-011041-E26	1-1/4" DIA. PLUNGER, PREMIUM TUNGSTEN	2
3	001-010260-402	ADAPTER ROD	1
3	002-017131-E24	1-1/8" DIA. PLUNGER, CHROME OXIDE	
3	002-017131-E23	1-1/8" DIA. PLUNGER FOR AMINE SERVICE	
3	002-017131-999	1-1/8" DIA. PLUNGER, TUNGSTEN	
3	002-017131-E26	1-1/8" DIA. PLUNGER, PREMIUM TUNGSTEN	2
3	001-009090-402	ADAPTER ROD	1
REQ'D	Part No.	DESCRIPTION	ITEM

BILL OF MATERIAL

130

NOV NATIONAL OILWELL VARCO

HOUSTON, TEXAS, U.S.A.

ENGINEERING, TULSA, OKLAHOMA

TITLE:

PLUNGERS 1-1/8" THRU 1-5/8"
HARD SURFACE, 59T-3MSC (T365MS, T365-2)
59T-3MC (T365-3)

DWG No.:

117825

SCALE:

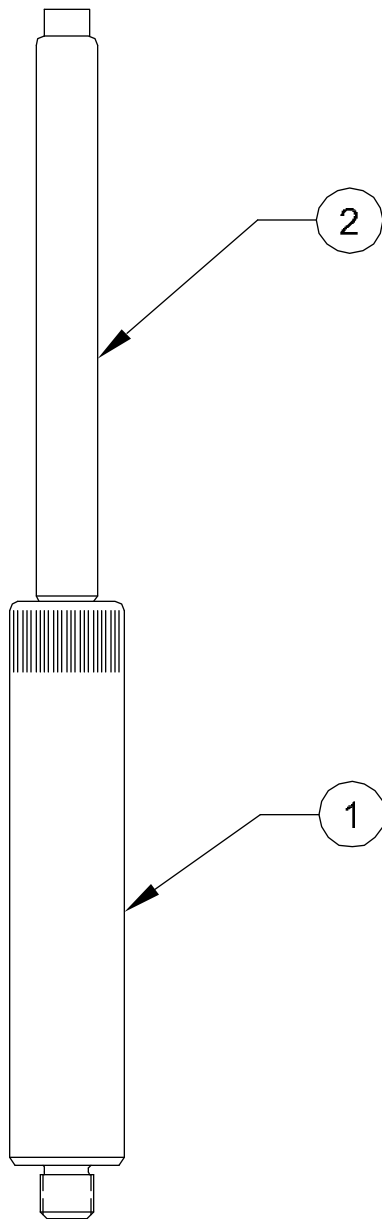
NONE

REV

A

SHI.:

1 OF 1



3	022-002252-E26	1" DIA. PLUNGER, PREMIUM TUNGSTEN	
3	022-002252-999	1" DIA. PLUNGER, TUNGSTEN	2
3	001-009090-402	ADAPTER ROD	1
3	002-011068-E26	7/8" DIA. PLUNGER, PREMIUM TUNGSTEN	
3	002-011068-999	7/8" DIA. PLUNGER, TUNGSTEN	2
3	001-009090-402	ADAPTER ROD	1
3	002-011067-E26	3/4" DIA. PLUNGER, PREMIUM TUNGSTEN	
3	002-011067-999	3/4" DIA. PLUNGER, TUNGSTEN	2
3	001-009090-402	ADAPTER ROD	1
REQ'D	Part No.	DESCRIPTION	ITEM
BILL OF MATERIAL			

131

NOV NATIONAL OILWELL VARCO

HOUSTON, TEXAS, U.S.A.

ENGINEERING, TULSA, OKLAHOMA

TITLE:

PLUNGERS 3/4" THRU 1"
HARD SURFACE
59T-3H (T365H)

DWG No.:

117826

SCALE:

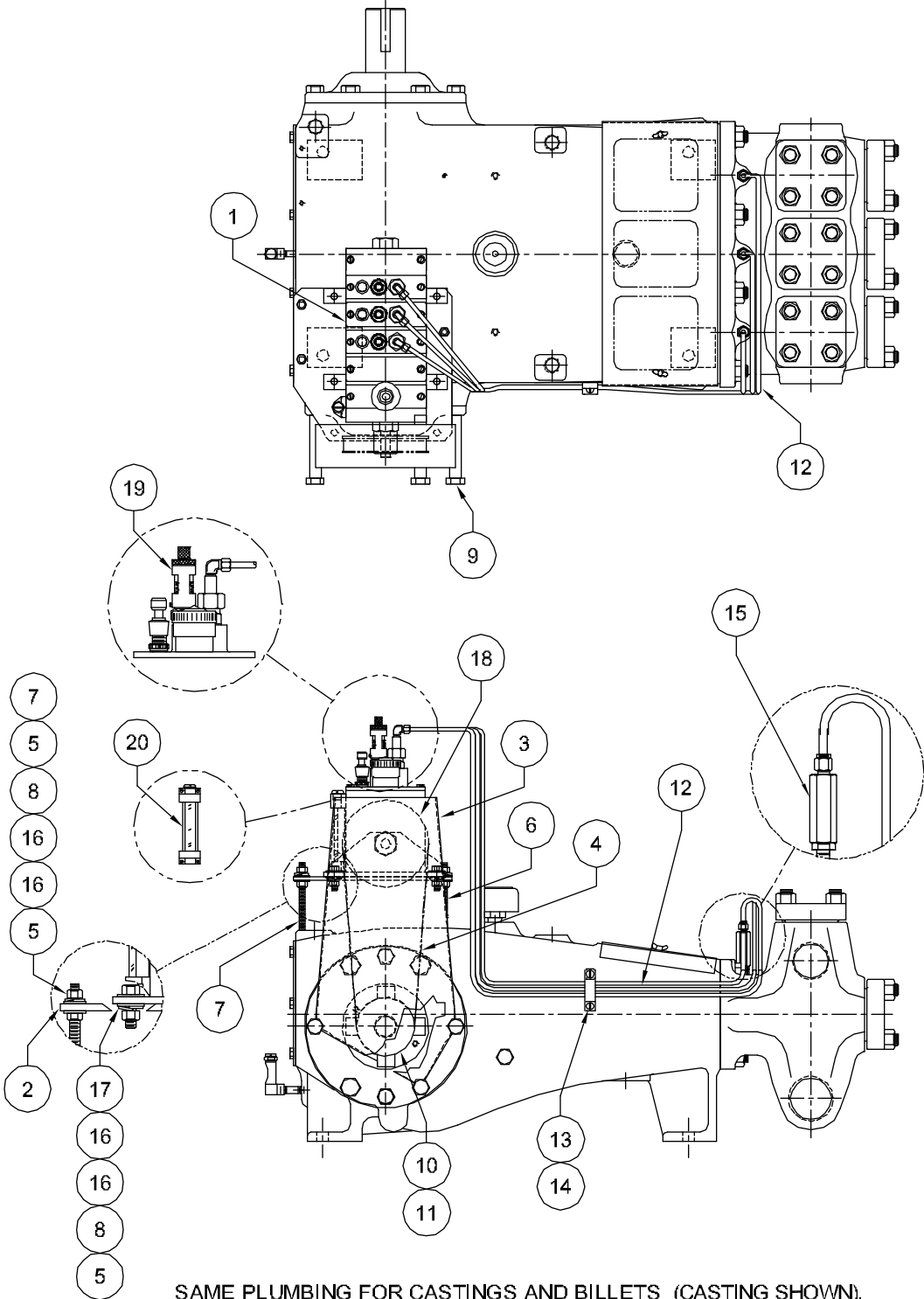
NONE

REV

A

SHT.:

1 OF 1



SAME PLUMBING FOR CASTINGS AND BILLETS (CASTING SHOWN).

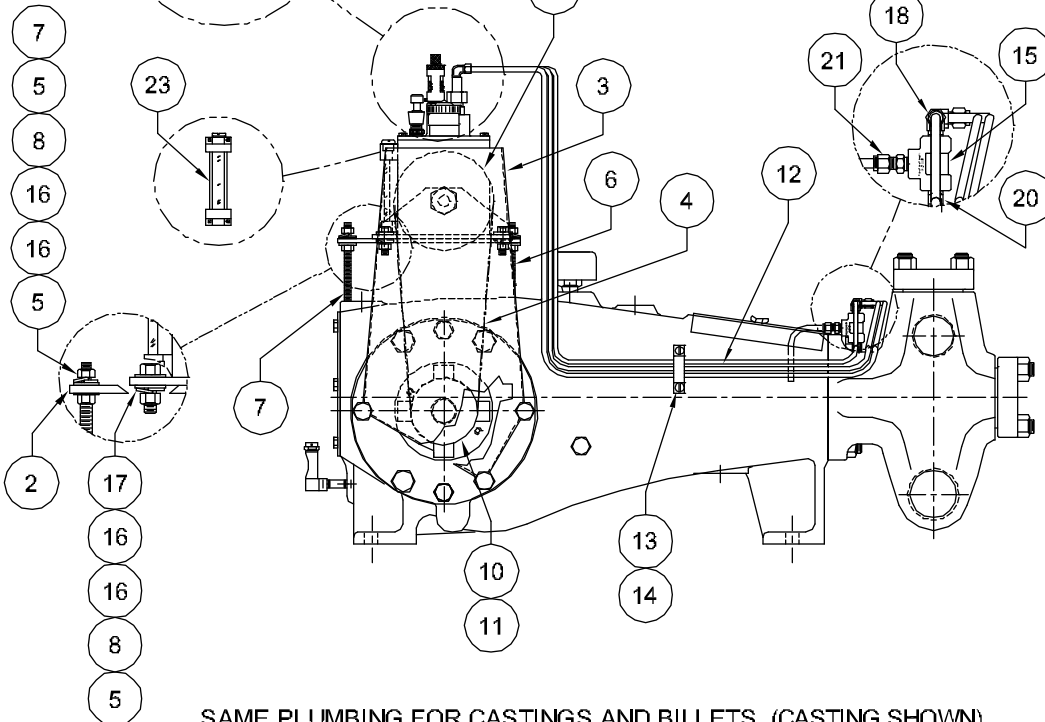
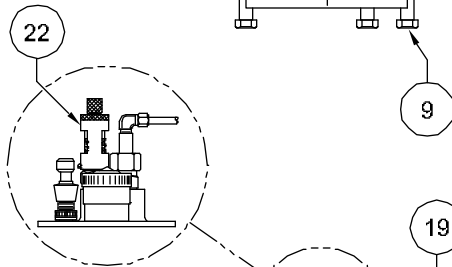
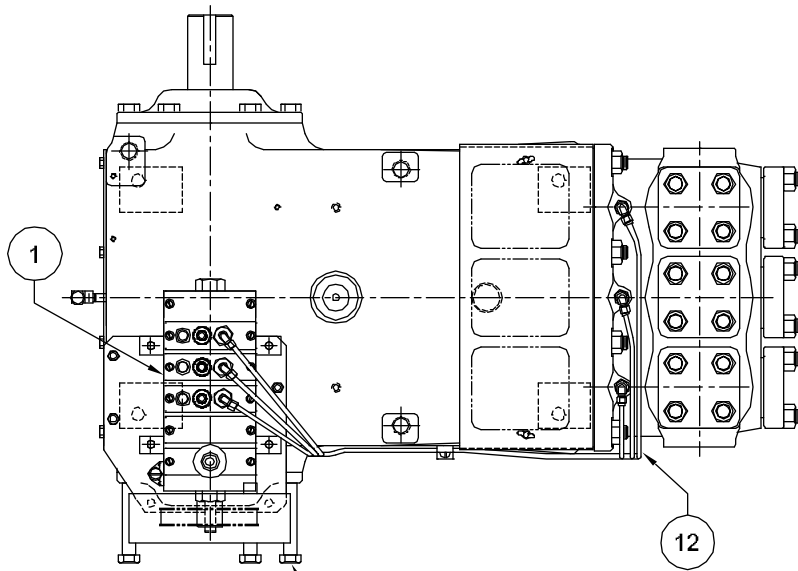
1	GAS-105265-000	SIGHT GLASS	20
1	GAS-105264-000	PUMP ASSEMBLY w/ GASKET	19
REPLACEMENT PARTS			
1	001-011513-999	DRIVEN SHEAVE	18
4	100-038114-290	CAP SCREW 3/8" x 1-1/4" LG.	17
10	155-038100-286	WASHER, 3/8"	16
3	GAS-105240-000	CHECK VALVE, 1/8" NPT	15
2	113-010038-405	MACHINE SCREW, RND HD	14
1	001-008783-405	LINE CLAMP	13
180"	330-002003-365	TUBING, 1/4"	12
1	419-101032-999	SHEAVE, LUBRICATOR DRIVER 3.2" DD	11
1	420-011900-000	HUB, PUMP DRIVER 1-7/16" BORE	10
3	100-058434-290	CAP SCREW, 5/8" x 4-3/4" LG.	9
7	154-038068-286	LOCK WASHER 3/8"	8
2	104-038500-286	STUD, 3/8" x 5" LG	7
1	104-038400-286	STUD, 3/8" x 4" LG	6
10	133-038016-286	NUT, ZINC PLATED 3/8"	5
1	421-100350-001	V-BELT	4
1	004-008091-231	BELT GUARD	3
1	001-001718-231	LUBRICATOR BRACKET LH/RH	2
1	GAS-105228-000	LUBRICATOR, RHD, (3) FEED	
1	GAS-105227-000	LUBRICATOR, LHD, (3) FEED	1
REQ'D	Part No.	DESCRIPTION	ITEM
BILL OF MATERIAL			

LEFT HAND DRIVE POWER PUMP (SHOWN) REQUIRES RIGHT HAND DRIVE LUBRICATOR.

NOV NATIONAL OILWELL VARCO
 HOUSTON, TEXAS, U.S.A. ENGINEERING, TULSA, OKLAHOMA

TITLE:
**ASSEMBLY, PACKING LUBRICATOR
 (RHD OR LHD) LHD SHOWN
 59T-3 (T365)**

DWG No.: 117814 SCALE: NONE REV A SHT: 1 OF 1



SAME PLUMBING FOR CASTINGS AND BILLETS (CASTING SHOWN).

1	GAS-105265-000	SIGHT GLASS	23
1	GAS-105264-000	PUMP ASSEMBLY w/ GASKET	22
REPLACEMENT PARTS			
3	462-040012-278	MALE CONN., STR., 1/4" TUBE x 1/8" NPT	21
3	157-018112-278	PIPE NIPPLE:	20
1	001-011513-999	DRIVEN SHEAVE	19
3	462-040022-278	MALE CONN., 90 DEG 1/4" TUBE x 1/8" NPT	18
4	100-038114-290	CAP SCREW, 3/8" x 1-1/4" LG.	17
10	155-038100-286	WASHER, 3/8"	16
3	469-020002-278	TEE: 1/8" NPT	15
2	113-010038-405	MACHINE SCREW, RND HD	14
1	001-008783-405	LINE CLAMP	13
180"	330-002003-365	TUBING, 1/4"	12
1	419-101032-999	SHEAVE, LUBRICATOR DRIVER 3.2" DD	11
1	420-011900-000	HUB, PUMP DRIVER 1-7/16" BORE	10
3	100-058434-290	CAP SCREW, 5/8" x 4-3/4" LG.	9
7	154-038068-286	LOCK WASHER 3/8"	8
2	104-038500-286	STUD, 3/8" x 5" LG	7
1	104-038400-286	STUD, 3/8" x 4" LG	6
10	133-038016-286	NUT, ZINC PLATED 3/8"	5
1	421-100350-001	V-BELT	4
1	004-008091-231	BELT GUARD	3
1	001-001718-231	LUBRICATOR BRACKET LH/RH	2
1	GAS-105228-000	LUBRICATOR, RHD, (3) FEED	
1	GAS-105227-000	LUBRICATOR, LHD, (3) FEED	1
REQ'D	Part No.	DESCRIPTION	ITEM
BILL OF MATERIAL			

LEFT HAND DRIVE POWER PUMP (SHOWN) REQUIRES RIGHT HAND DRIVE LUBRICATOR.



HOUSTON, TEXAS, U.S.A.

ENGINEERING, TULSA, OKLAHOMA

TITLE:

ASSEMBLY, D.O.H. LUBRICATOR
(DRIP ON THE HEEL) - (RHD OR LHD)
LHD SHOWN, 59T-3 (T365)

DWG No.:

117815

SCALE:

NONE

REV

A

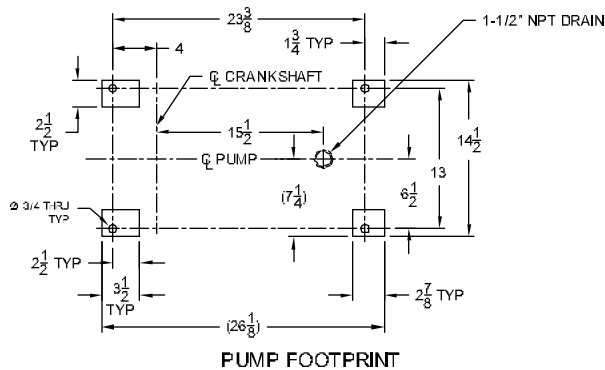
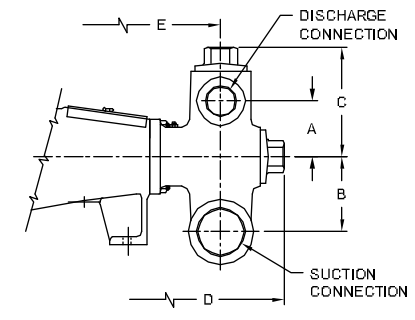
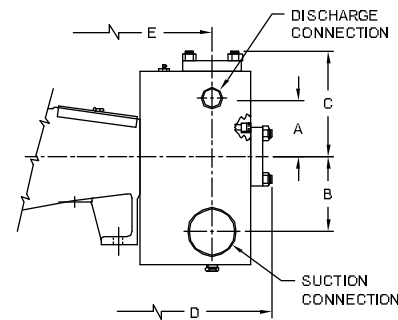
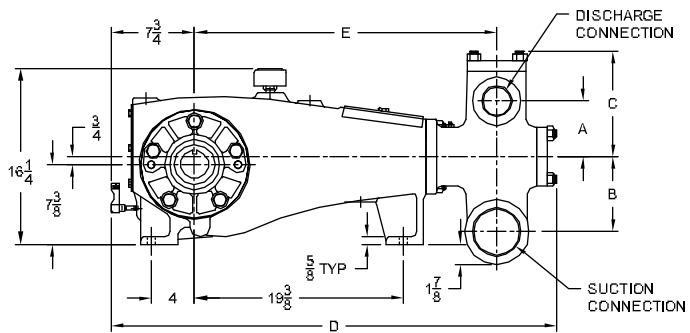
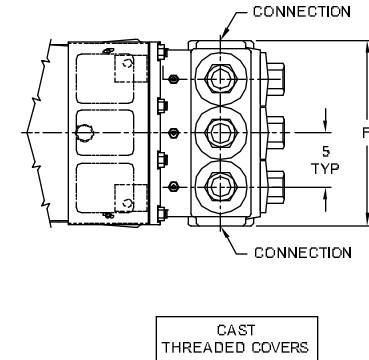
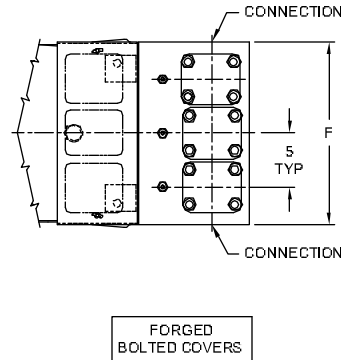
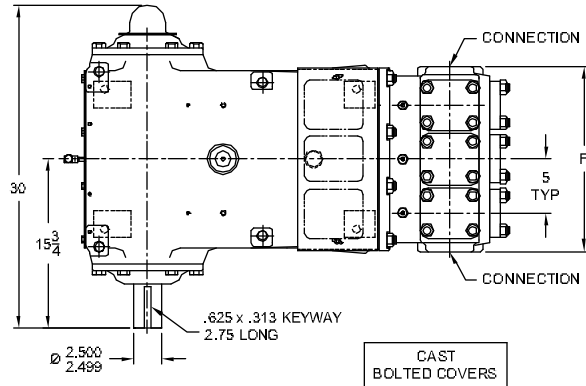
SHT.:

1 OF 1

FIELD CONNECTIONS

PUMP TYPE	DIMENSIONS IN INCHES (MM)	
	DISCHARGE CONNECTION SIZE	SUCTION CONNECTION SIZE
59T-3L	2-1/2" (63.5) 8NPT	4" (101.6) 8NPT

PUMP TYPE	DIMENSIONS IN INCHES					
	A	B	C	D	E	F
CAST, BOLTED COVERS	5 1/8	7	9-13/16	41-1/4	28	17
FORGED, BOLTED COVERS	5 1/8	7	9-13/16	41-1/8	28-1/16	17
CAST, THREADED COVERS	5 1/8	7	10-1/4	41-5/8	28	17

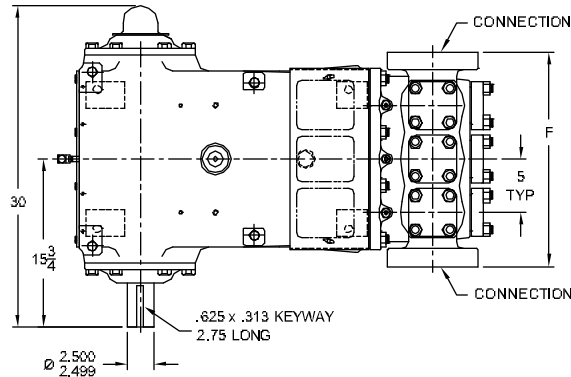


NOV NATIONAL OILWELL VARCO	
HOUSTON, TEXAS, U.S.A.	ENGINEERING, TULSA, OKLAHOMA
TITLE: GENERAL DIMENSION, RHD "L" CLASS FLUID END 59T-3L (T365AL, T365L)	
DWG No.:	117816
SCALE:	NONE
REV:	A
SHT.:	1 OF 1

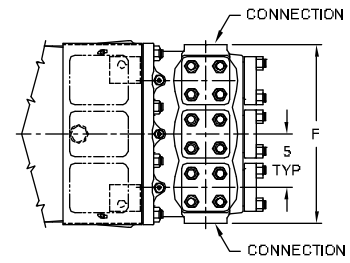
PUMP TYPE	DIMENSIONS IN INCHES					
	A	B	C	D	E	F
CAST, FLANGE CONN, BOLTED COVERS	3-7/16	5-3/8	8-1/8	40-1/2	27-3/16	20
CAST, THREADED CONN, BOLTED COVERS	3-7/16	5-3/8	8-1/8	40-5/16	27-3/16	18-5/8
CAST, THREADED CONN, THREADED COVERS	3-7/16	5-3/8	7-5/8	39-13/16	27-3/16	18-5/8

FIELD CONNECTIONS

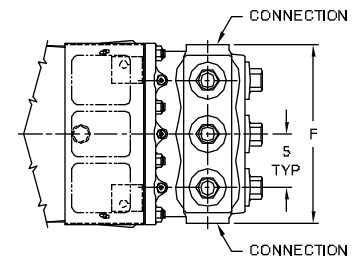
PUMP TYPE	DIMENSIONS IN INCHES (MM)	
	DISCHARGE CONNECTION SIZE	SUCTION CONNECTION SIZE
59T-3M CAST, FLANGE CONNECTIONS, BOLTED COVERS	2" (50.8) CL 1500# ANSI	3" (76.2) CL 300# ANSI
59T-3M CAST, THREADED CONN, BOLTED COVERS	2" (50.8) -11.5 NPT	2-1/2" (63.5) -8 NPT
59T-3M CAST, THREADED CONN, THREADED COVERS	2" (50.8) -11.5 NPT	2-1/2" (63.5) -8 NPT



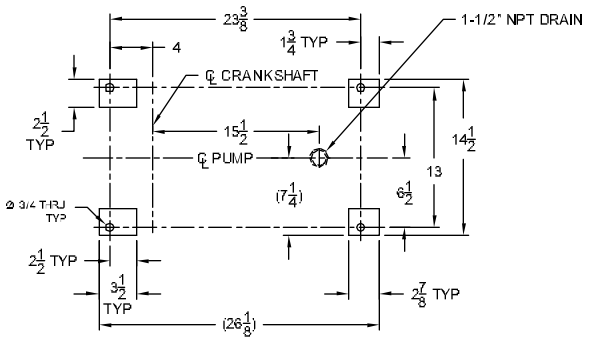
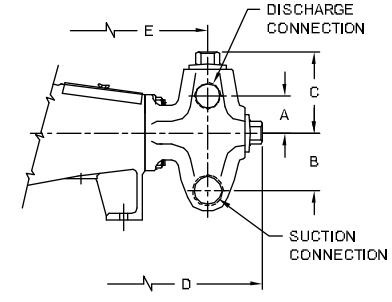
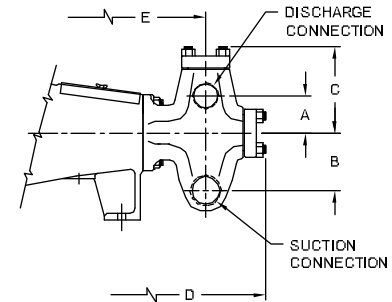
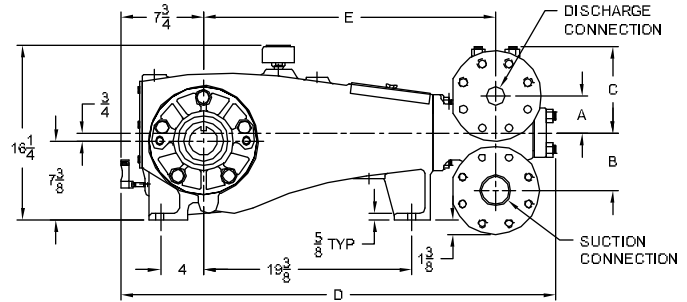
CAST, FLANGE CONN, BOLTED COVERS



CAST, THREADED CONN, BOLTED COVERS



CAST, THREADED CONN, THREADED COVERS



PUMP FOOTPRINT

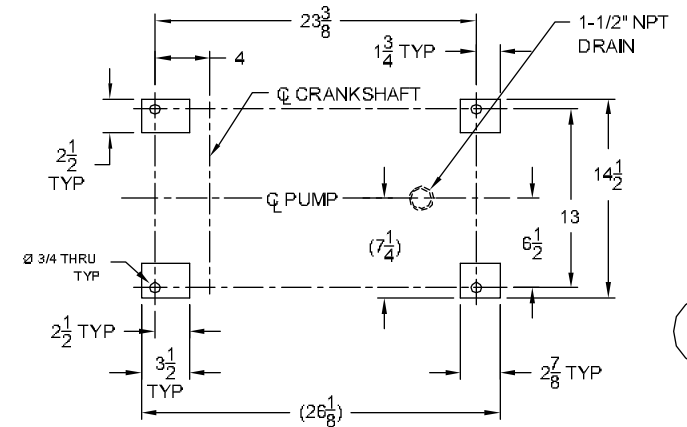
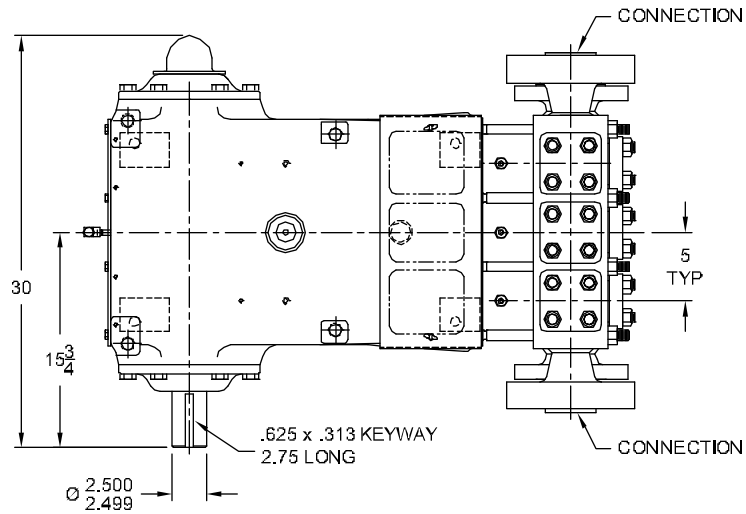
NOV NATIONAL OILWELL VARCO
 HOUSTON, TEXAS, U.S.A. ENGINEERING, TULSA, OKLAHOMA

TITLE: GENERAL DIMENSION, RHD
 "M" CLASS FLUID END
 59T-3M (T365AM, T365M)

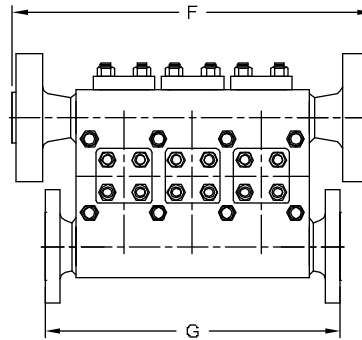
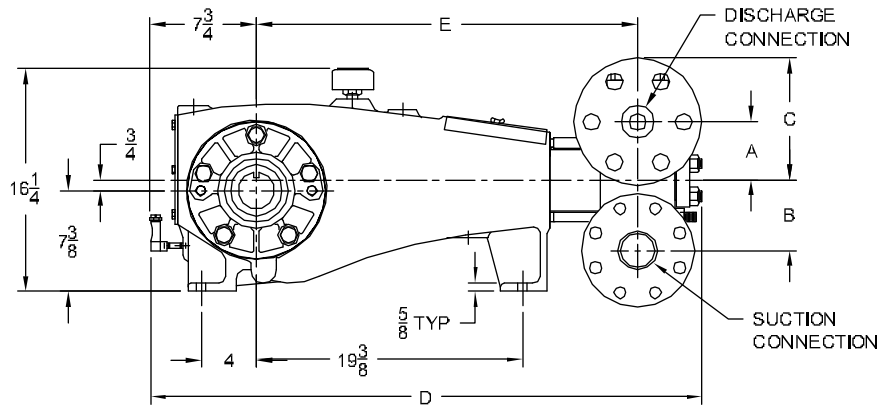
DWG No.: 117817 SCALE: NONE REV A SHT.: 1 OF 1

FIELD CONNECTIONS

PUMP TYPE	DIMENSIONS IN INCHES (MM)	
	DISCHARGE CONNECTION SIZE	SUCTION CONNECTION SIZE
59T-3M CAST, FLANGE CONN, BOLTED COVERS	2" (50.8) CL 2500# ANSI	2-1/2" (63.5) CL 300# ANSI



PUMP FOOTPRINT



PUMP TYPE	DIMENSIONS IN INCHES						
	A	B	C	D	E	F	G
FORGED, WELDED FLANGE CONN, BOLTED COVERS	4-1/4	5-1/8	8-7/8	40	27-3/4	26-1/4	21-1/2



HOUSTON, TEXAS, U.S.A. ENGINEERING, TULSA, OKLAHOMA

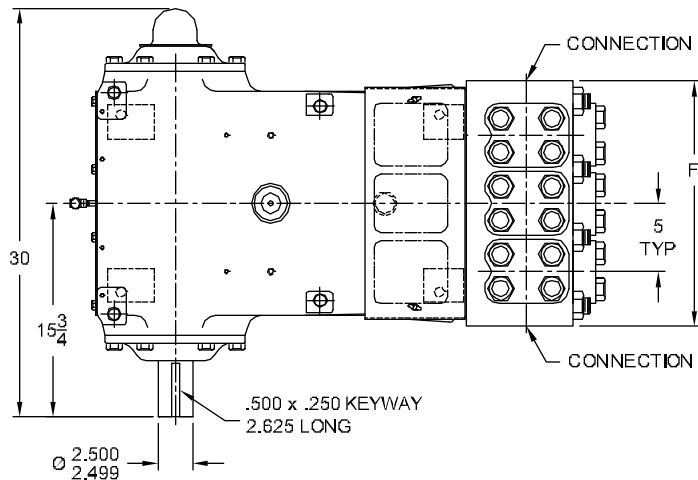
TITLE: GENERAL DIMENSION, RHD
59T-3MSC (T385-2)

DWG No.: 117952 SCALE: NONE REV: A SHT.: 1 OF 1

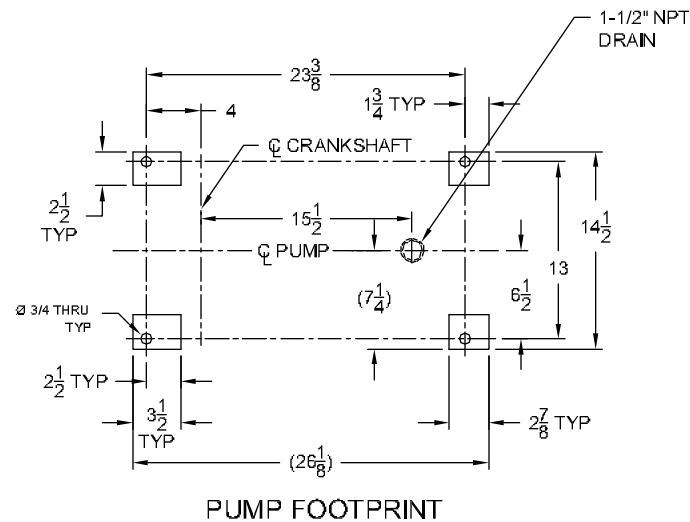
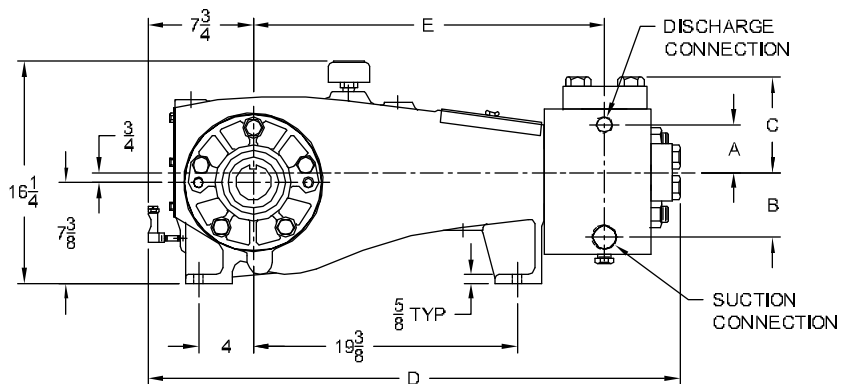
FIELD CONNECTIONS

PUMP TYPE	DIMENSIONS IN INCHES (MM)	
	DISCHARGE CONNECTION SIZE	SUCTION CONNECTION SIZE
59T-3H CAST STEEL, BOLTED COVERS	1" (25.4) 11-1/2 NPT	1-1/2" (38.1) 11-1/2 NPT

PUMP TYPE	DIMENSIONS IN INCHES					
	A	B	C	D	E	F
FORGED STEEL, BOLTED COVERS	3-1/2	4-3/4	7	39-1/16	25-3/4	18



FORGED STEEL,
BOLTED COVERS

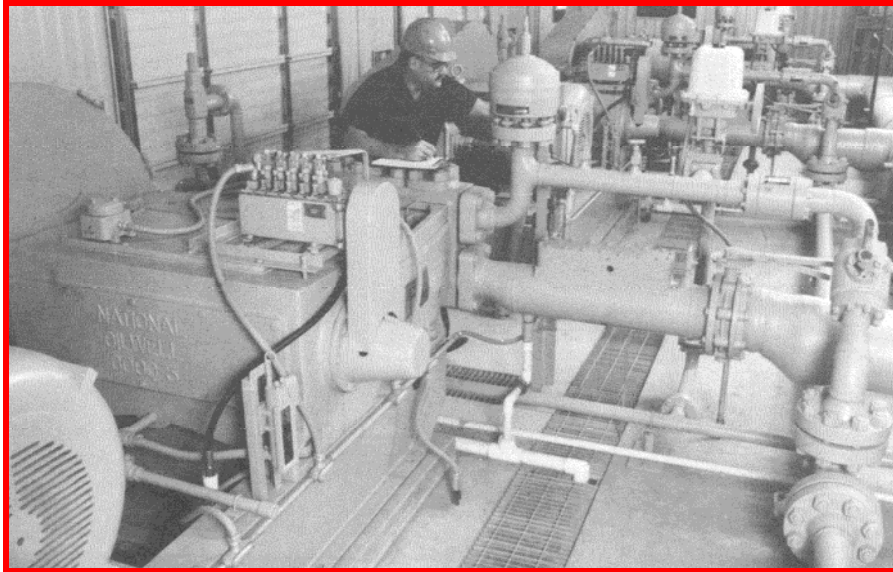


NOV NATIONAL OILWELL VARCO
 HOUSTON, TEXAS, U.S.A. ENGINEERING, TULSA, OKLAHOMA

TITLE:
**GENERAL DIMENSION, RHD
 "H" CLASS FLUID END
 59T-3H (T365H)**

DWG No.: **117818** SCALE: **NONE** REV **A** SHT.: **1** OF **1**

NATIONAL OILWELL VARCO



With over 120 locations worldwide, National Oilwell Varco is located near you. To find the nearest Distribution Service Center, machinery center or repair facility, please give us a call at our main office listed below.

Or you can access our website at the URL listed below, where you may search by location or country.

<http://www.nov.com/contactus/>

Sales/Technical Information:
USA Tollfree: 1 (800) 324-4706

Internet: <http://www.nov.com>

National Oilwell Varco is a leading manufacturer of reciprocating plunger pumps, Mission Fluid King centrifugal pumps, and fluid end replacement parts. We also offer a complete set of solutions to your fluid transfer challenges. For more Information, contact National Oilwell Varco directly at the Headquarters in Houston, Texas. All National Oilwell Varco products are available throughout the U.S. and around the world from service centers, authorized distributors, and representatives.

© Copyright 1999 by National Oilwell, L.P. All Rights Reserved. NATIONAL OILWELL, NATIONAL, and OILWELL are registered trademarks of NATIONAL OILWELL, L.P. Houston, Texas, USA. All other trademarks used are registered to their respective companies. The information and data in this brochure, including but not limited to pictures, photographs, charts, diagrams, drawings, lists, written comments, and specifications, are accurate to the best of our knowledge and belief, but are intended for general information only. Applications suggested for the materials and other information are described only to help readers make their own evaluations and decisions, and are neither guarantees nor are they to be construed as express or implied warranties of suitability for these or other applications. National Oilwell makes no warranty, either express or implied, beyond that stipulated in National Oilwell's Standard Terms and Conditions of Sale which are available upon request.