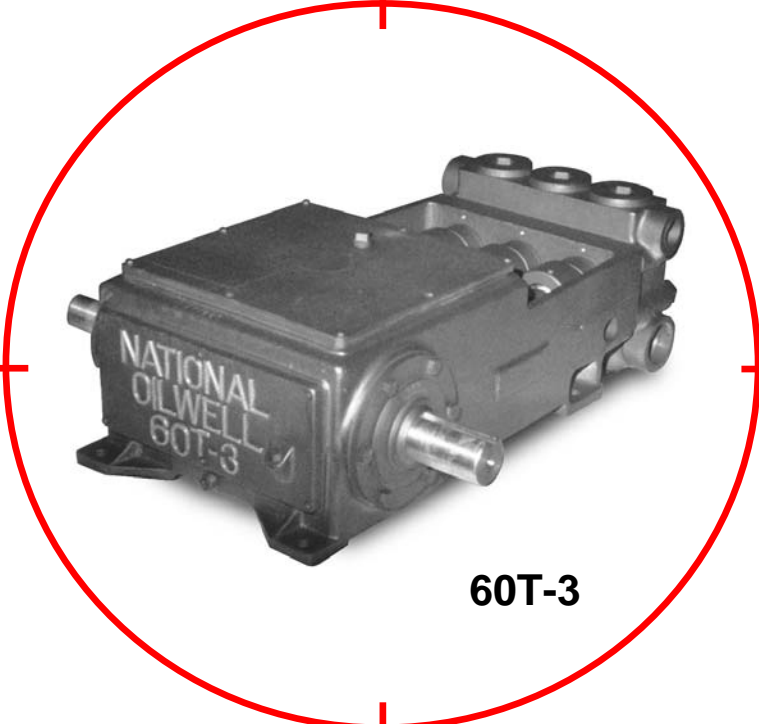
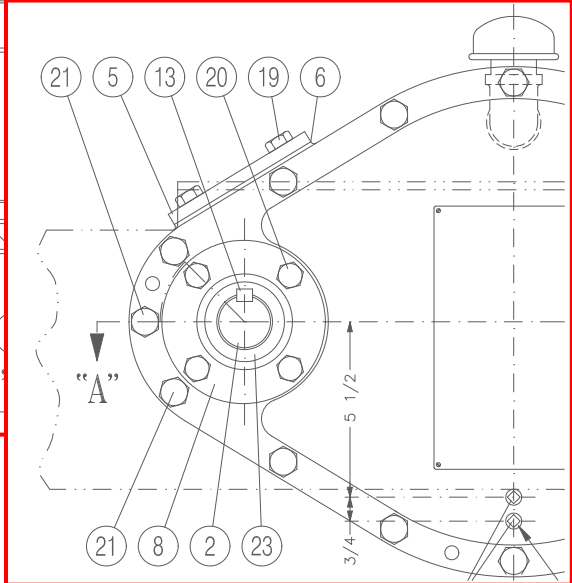
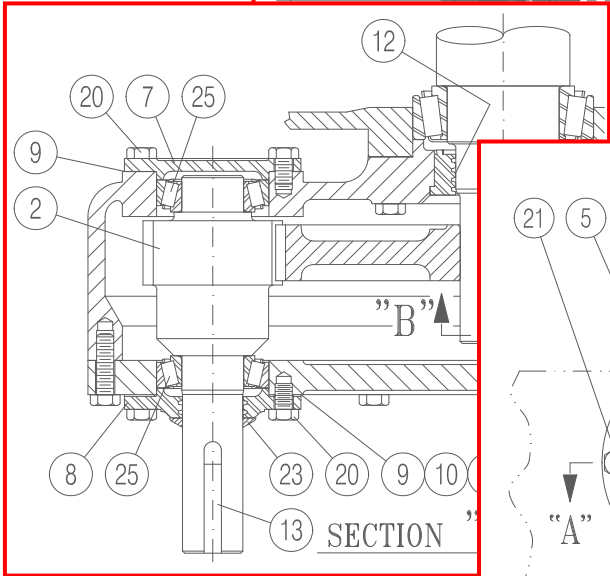
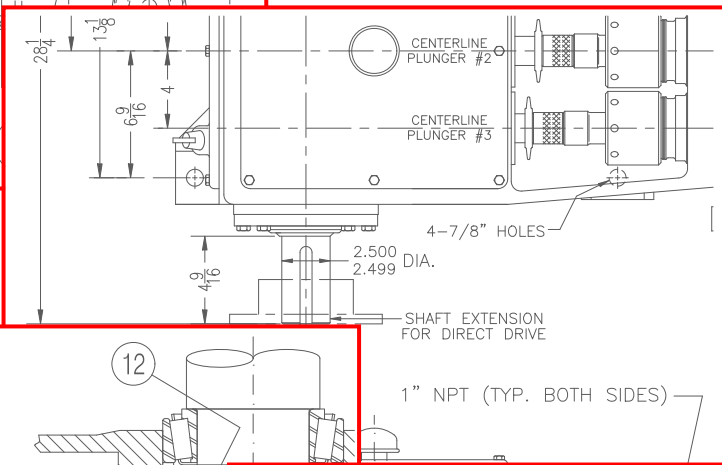
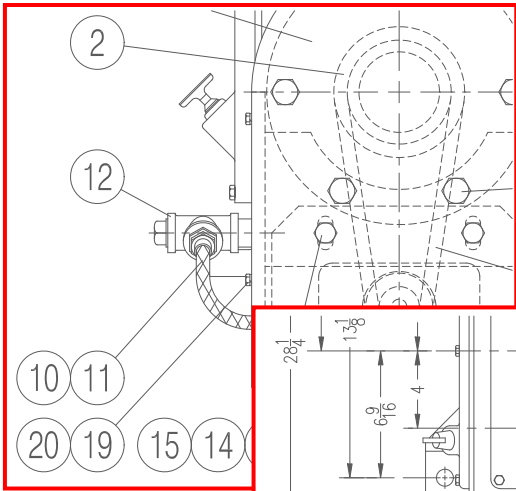


60T-3 Triplex Plunger Pump

Parts List

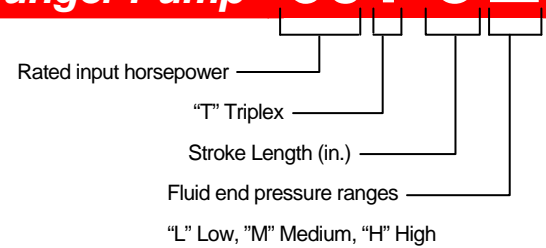


60T-3



Types:
60T-3L
60T-3M
60T-3H

Sales / Technical Information
USA Tollfree: 1 (800) 324-4706
Phone: 1 (918) 447-4600
Fax: 1 (918) 447-4677
Internet: <http://www.nov.com>

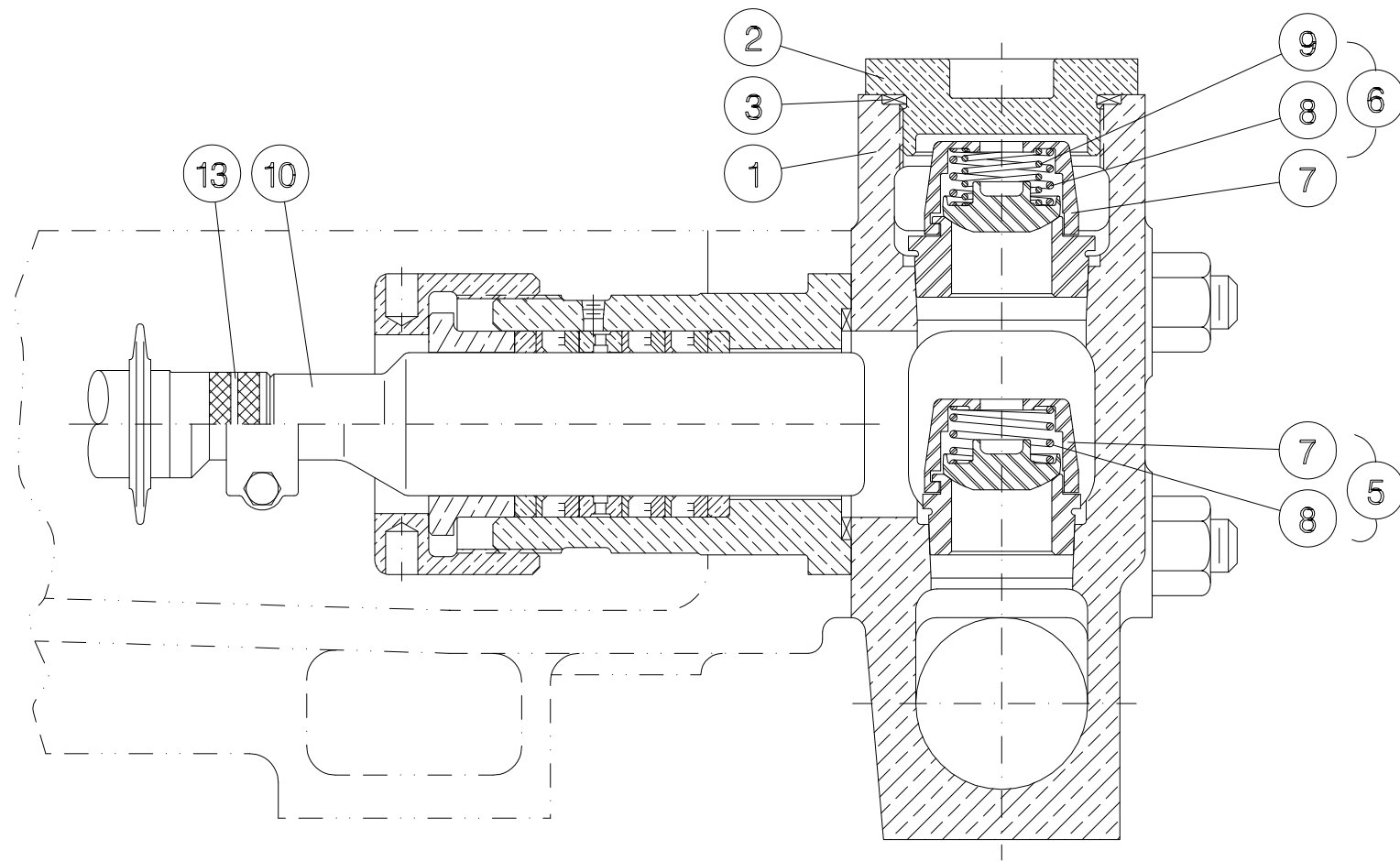


Index and Check List:

PAGE	DWG. NUMBER	DESCRIPTION	SERIES OF ISSUE	DATE OF ISSUE
1	1710669	ASSEMBLY, FLUID END, 60T-3L (THREADED)	SECOND	8-21-07
2	1710670	ASSEMBLY, FLUID END, 60T-3L (FLANGED)	SECOND	8-21-07
3	1710671	ASSEMBLY, FLUID END, 60T-3M	SECOND	8-21-07
4	1710672	ASSEMBLY, FLUID END, 60T-3H	SECOND	8-21-07
5	1710673	POWER END ASSEMBLY	SECOND	10-26-00
6	1710674	CRANKSHAFT ASSEMBLY	FIRST	7-1-99
7	1710675	SEVERE DUTY VALVE ASSEMBLY	SECOND	8-21-07
8	1710676	CAGE TYPE VALVE ASSEMBLY	FIRST	7-1-99
9	1710677	VALVE SERVICE KITS	SECOND	8-21-07
10	1710678	VALVE SERVICE KITS	FIRST	7-1-99
11	1710679	GEAR REDUCER ASSEMBLY	FIRST	7-1-99
12	1710680	PLUNGER KIT ASSEMBLY, 60T-3L, 3M	FIRST	7-1-99
13	1710681	PLUNGER KIT ASSEMBLY, 60T-3M, 3H	FIRST	7-1-99
14	1710682	PLUNGER KIT ASSEMBLY, S.S. W/ KEVLAR PACKING 60T-3L, 3M	FIRST	7-1-99
15	1710683	PLUNGER KIT ASSEMBLY, S.S. W/ KEVLAR PACKING 60T-3H	FIRST	7-1-99
16	1710684	PLUNGER / INTERMEDIATE ROD ASSY., DBL. TAPERED CLAMP	FIRST	7-1-99
17	1710685	PLUNGER / INTERMEDIATE ROD ASSY., THREADED PLUNGER	FIRST	7-1-99
18	1710686	LUBRICATOR ASSY. PIPING, 3-FEED R.H. / L.H.	SECOND	6-11-07
19	1710687	OPTIONAL ACCESSORIES	FIRST	7-1-99
20	1710688	LOW PRESSURE PLASTIC BODY, IN-LINE SUCTION DAMPENER	FIRST	7-1-99
21	1710689	AUXILIARY LUBE SYSTEM – SLOW SPEED	SECOND	6-11-07
22	1710690	OUTLINE DRAWING 60T-3 W/O GEAR REDUCER	FIRST	7-1-99
23	1710691	OUTLINE DRAWING 60T-3 W/ GEAR REDUCER	FIRST	7-1-99

Revisions effective August 21, 2007 – updated logo; drawing number 1710675 was Durable Tapered Seat; revised pages 1 thru 4, 9, 18, and page 21.

LTR	DESCRIPTION OF CHANGE	MADE	CHKD	DATE	APPROVED	M NO
A	REMOVED DURABLE VALVES	MTH	RPQ	8.21.07		
A1	REMOVED INDIVIDUAL VALVE AND SEAT PART NUMBERS	MTH	RPQ	8.21.07		



3	SEE PAGES 16 & 17	60T INT. ROD SCREW OR CLAMP TYPE	13	
⊗ 2	*501	*501	CAPLUG	12
⊗ 2	*24-S	*24-S	CAPLUG	11
3	SEE PAGES 12, 13, 14 & 15	STD. PLUNGER KIT SELECTION	10	
1		1792526	SPRING, INNER	9
1		1792525	SPRING, OUTER	8
1		1792524-6	RETAINER, SPRING	7
3		1792522-25	VALVE CPT., SPHERICAL DISCH.	6
3		1792520-25	VALVE CPT., SPHERICAL SUCT.	5
* 1	1710270	1710270	BAR, STUFFING BOX ADJUSTING NUT	4
3	2410031344	2410031343	PACKING, TOP COVER	3
3	1710073	1710073	COVER, CYLINDER TOP	2
1	171015814	171015814	CYLINDER ONLY, FLUID	1
QTY REQ'D	PART NUMBERS		MATERIAL/SPECIFICATION	ITEM NO.
	171015714 (NI ALUM BRZ) ASSY. WITH DISC T.S. VALVES	171015714-S (NI ALUM BRZ) ASSY. WITH SPHERICAL VALVES	* ITEM NOT SHOWN FOR CLAIRITY ⊗ FOR SHIPPING PURPOSES ONLY	

LIST OF MATERIAL

SEE PAGE 7 FOR SEVERE DUTY VALVE ASSEMBLY

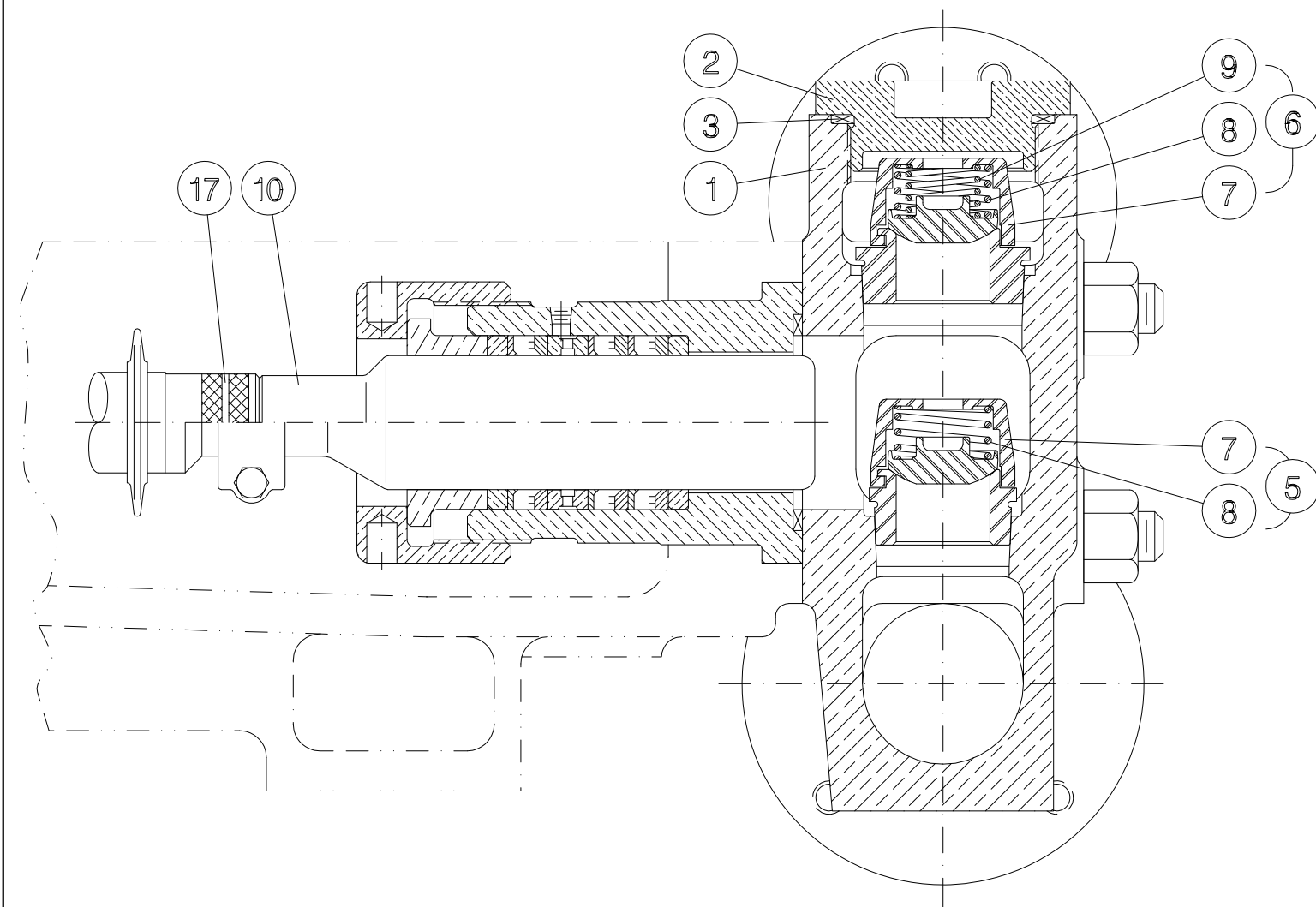
NOV NATIONAL OILWELL VARCO

TITLE
FLUID END ASSY. (THREADED)
60T-3L TRIPLEX PLUNGER PUMP

SIZE B REFERENCE No. DRAWING No. 1710669 REV A

SCALE 1/3 EST WT SHEET 1 OF 1

LTR	DESCRIPTION OF CHANGE	MADE	CHKD	DATE	APPROVED	M NO
A	REMOVED DURABLE VALVES	MTH	RPQ	8.21.07		
A1	REMOVED INDIVIDUAL VALVE AND SEAT PART NUMBERS	MTH	RPQ	8.21.07		



3	SEE PAGES 16 & 17	60T INT. ROD SCREW OR CLAMP TYPE	17	
△	16 700039911	700039911	SCREW, 5/8" x 2 1/2 HEX HD. CAP - DISCH. CONN.	16
△	8 700039711	700039711	SCREW, 5/8" x 2 HEX HD. CAP - SUCT. CONN.	15
△	2 6908011	6908011	RING, OVAL JOINT R-23	14
△	2 6010019	6010019	GASKET, 3" FLAT RING	13
⊗	2 * 19	* 19	CAPLUG	12
⊗	2 *55-A	*55-A	CAPLUG	11
3	SEE PAGES 12, 13, 14 & 15	STD. PLUNGER KIT SELECTION	10	
1		1792526	SPRING, INNER	9
1		1792525	SPRING, OUTER	8
1		1792524-6	RETAINER, SPRING	7
3		1792522-25	VALVE CPT., SPHERICAL DISCH.	6
3		1792520-25	VALVE CPT., SPHERICAL SUCT.	5
* 1	1710270	1710270	BAR, STUFFING BOX ADJUSTING NUT	4
3	2410031343	2410031344	PACKING, TOP COVER	3
3	1710073	1710073	COVER, CYLINDER TOP	2
1	171041414	171041414	CYLINDER ONLY, FLUID	1
QTY REQ'D	PART NUMBERS		MATERIAL/SPECIFICATION	ITEM NO.
	171041314 (NI ALUM BRZ) ASSY. WITH DISC T.S. VALVES	171041314-S (NI ALUM BRZ) ASSY. WITH SPHERICAL VALVES	* ITEM NOT SHOWN FOR CLAIRTY ⊗ FOR SHIPPING PURPOSES ONLY △ SHIPPED SEPERATELY	

LIST OF MATERIAL

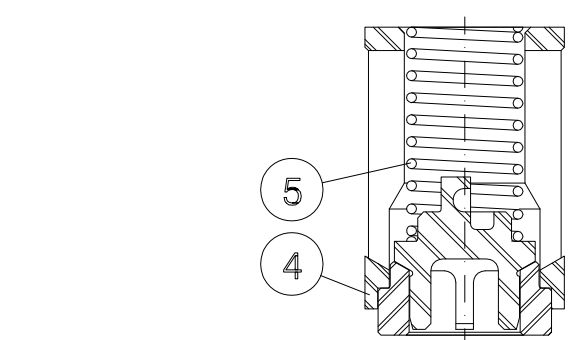
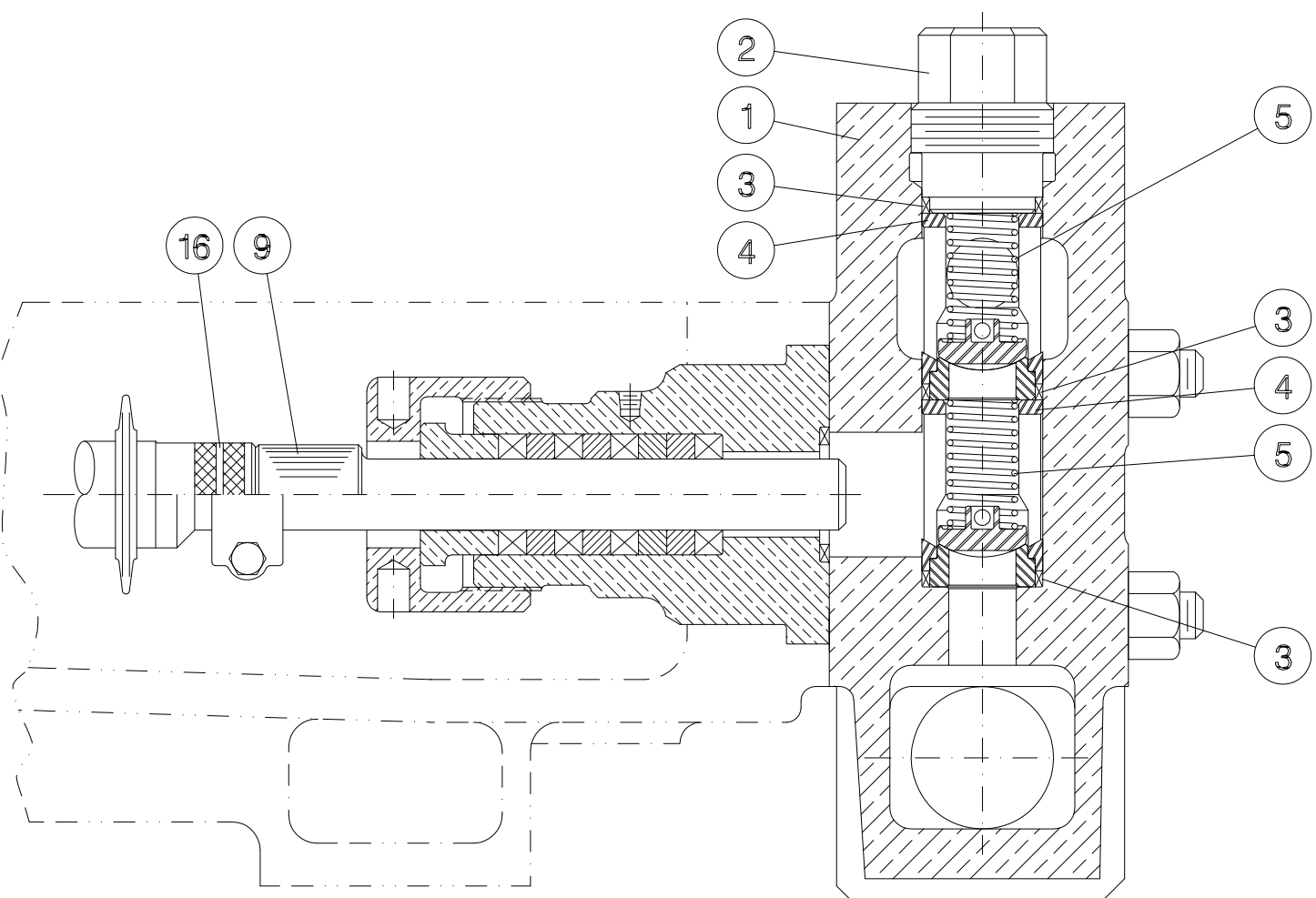
SEE PAGE 7 FOR SEVERE DUTY VALVE ASSEMBLY

NOV NATIONAL OILWELL VARCO

TITLE
FLUID END ASSY. (FLANGED)
60T-3L TRIPLEX PLUNGER PUMP

SIZE	REFERENCE No.	DRAWING No.	REV
B		1710670	A
SCALE	1 / 3	EST WT	SHEET 1 OF 1

LTR	DESCRIPTION OF CHANGE	MADE	CHKD	DATE	APPROVED	M NO
A	REMOVED INDIVIDUAL VALVE AND SEAT PART NUMBERS	MTH	RPQ	8.21.07		



7 OPTIONAL VALVE
 BG CAGE VALVE CPT.
 SUCTION & DISCHARGE

3	SEE PAGES 16 & 17	60T INT. ROD SCREW OR CLAMP TYPE	16	
Δ	8 700052510	700052510	SCREW, 1" x 2 3/4" HEX HD. CAP - DISCH. CONN.	15
Δ	8 700039711	700039711	SCREW, 5/8" x 2 HEX HD. CAP - SUCT. CONN.	14
Δ	2 6908004	6908004	RING, OVAL JOINT R-20	13
Δ	2 6010016	6010016	GASKET, 2 1/2" FLAT RING	12
⊗	2 #250	#250	CAPLUG	11
⊗	2 #17	#17	CAPLUG	10
3	SEE PAGES 12, 13, 14 & 15	STD. PLUNGER KIT SELECTION	9	
*	1 1710270	1710270	BAR, STUFFING BOX ADJUSTMENT NUT	8
6	171150025		VALVE COMPLETE, BG CAGE	7
6		1711450-25	VALVE COMPLETE, SPHERICAL	6
6	1709033	1709033	SPRING, BALL VALVE	5
6	17094276	17094276	CAGE, VALVE	4
9	1711112	1711112	SEAL, VALVE CAGE	3
3	1709073	1709073	COVER, CYLINDER TOP	2
1	171037714	171037714	CYLINDER ONLY, FLUID	1
QTY REQ'D	PART NUMBERS		MATERIAL/SPECIFICATION	ITEM NO.
	171037614 (NI ALUM BRZ) ASSY. WITH BG CAGE VALVES	171037614-S (NI ALUM BRZ) ASSY. WITH SPHERICAL VALVES	* ITEM NOT SHOWN FOR CLAIRITY ⊗ FOR SHIPPING PURPOSES ONLY Δ SHIPPED SEPERATELY	

LIST OF MATERIAL

SEE PAGE 7 FOR SEVERE DUTY VALVE ASSEMBLY

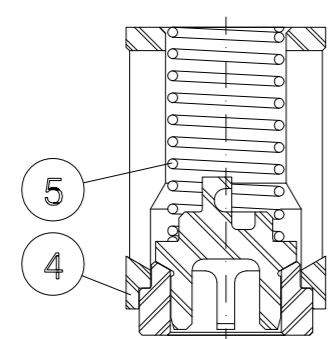
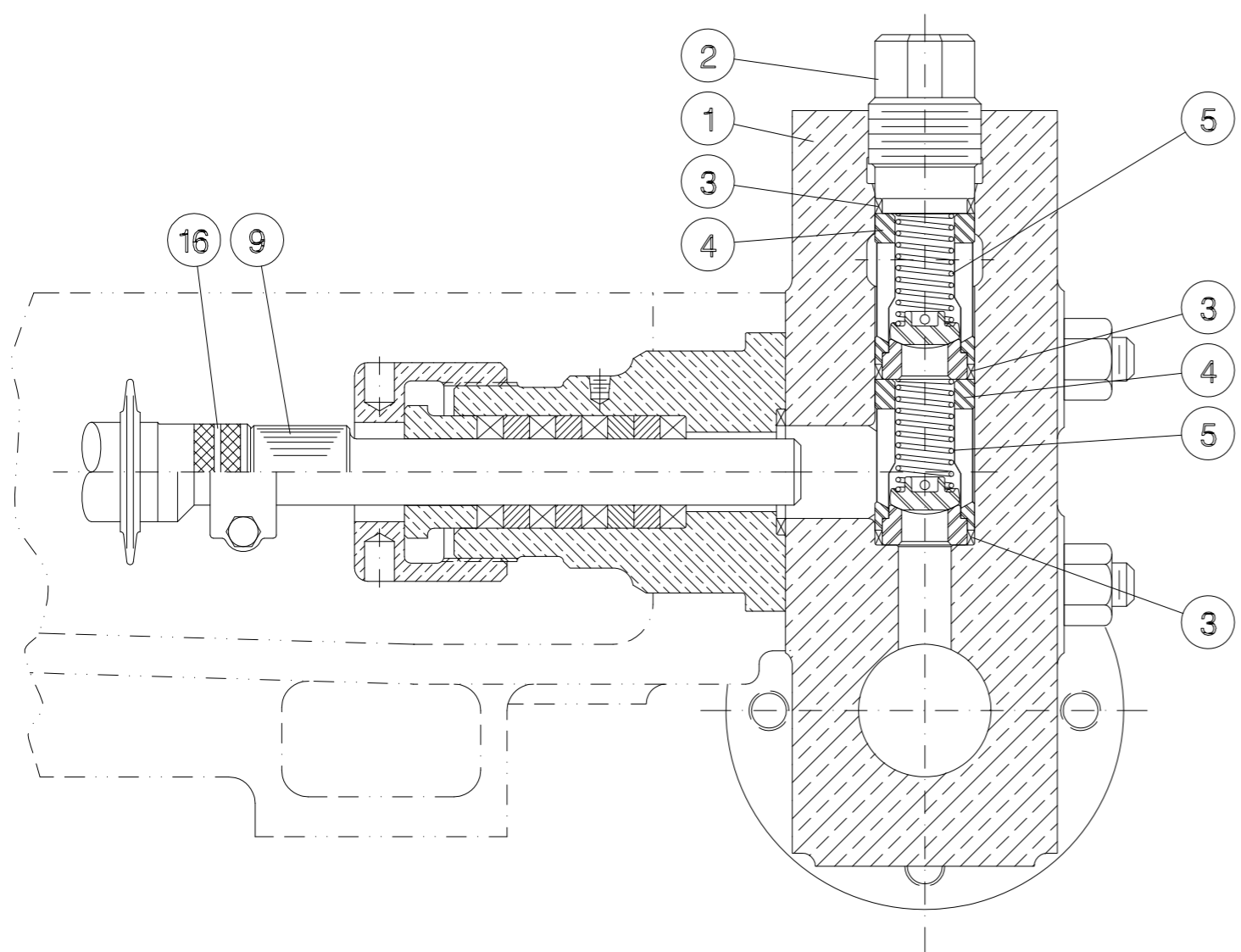


TITLE
 FLUID END ASSEMBLY
 60T-3M TRIPLEX PLUNGER PUMP

SIZE	REFERENCE No.	DRAWING No.	REV
B		1710671	A

SCALE	EST WT	SHEET
1 / 3		1 OF 1

LTR	DESCRIPTION OF CHANGE	MADE	CHKD	DATE	APPROVED	M NO
A	REMOVED INDIVIDUAL VALVE AND SEAT PART NUMBERS	MTH	RPQ	8.21.07		



7 OPTIONAL VALVE
 BG CAGE VALVE CPT.
 SUCTION & DISCHARGE

3	SEE PAGES 16 & 17	60T INT. ROD SCREW OR CLAMP TYPE	16	
△ 8	700052810	700052810	SCREW, 1" x 3/2" HEX HD. CAP - DISCH. CONN.	15
△ 16	700044011	700044011	SCREW, 3/4" x 2" HEX HD. CAP - SUCT. CONN.	14
△ 2	6908008	6908008	RING, OVAL JOINT R-21	13
△ 2	6010015	6010015	GASKET, 2 1/2" FLAT RING	12
⊗ 2	*250	*250	CAPLUG	11
⊗ 2	*17	*17	CAPLUG	10
3	SEE PAGES 12, 13, 14 & 15	STD. PLUNGER KIT SELECTION	9	
* 1	1710270	1710270	BAR, STUFFING BOX ADJUSTMENT NUT	8
6	171050025		VALVE COMPLETE, BG CAGE	7
6		1710510-25	VALVE COMPLETE, SPHERICAL	6
6	1710326	1710326	SPRING, BALL VALVE	5
6	17103356	17103356	CAGE, VALVE	4
9	1710112	1710112	SEAL, VALVE CAGE	3
3	1710144	1710144	COVER, CYLINDER TOP	2
1	171006214	171006214	CYLINDER ONLY, FLUID	1

QTY REQ'D	PART NUMBERS	MATERIAL/SPECIFICATION	ITEM NO.
	171005514 (NI ALUM BRZ) ASSY. WITH BG CAGE VALVES	171005514-S (NI ALUM BRZ) ASSY. WITH SPHERICAL VALVES	* ITEM NOT SHOWN FOR CLAIRITY ⊗ FOR SHIPPING PURPOSES ONLY △ SHIPPED SEPERATELY

LIST OF MATERIAL

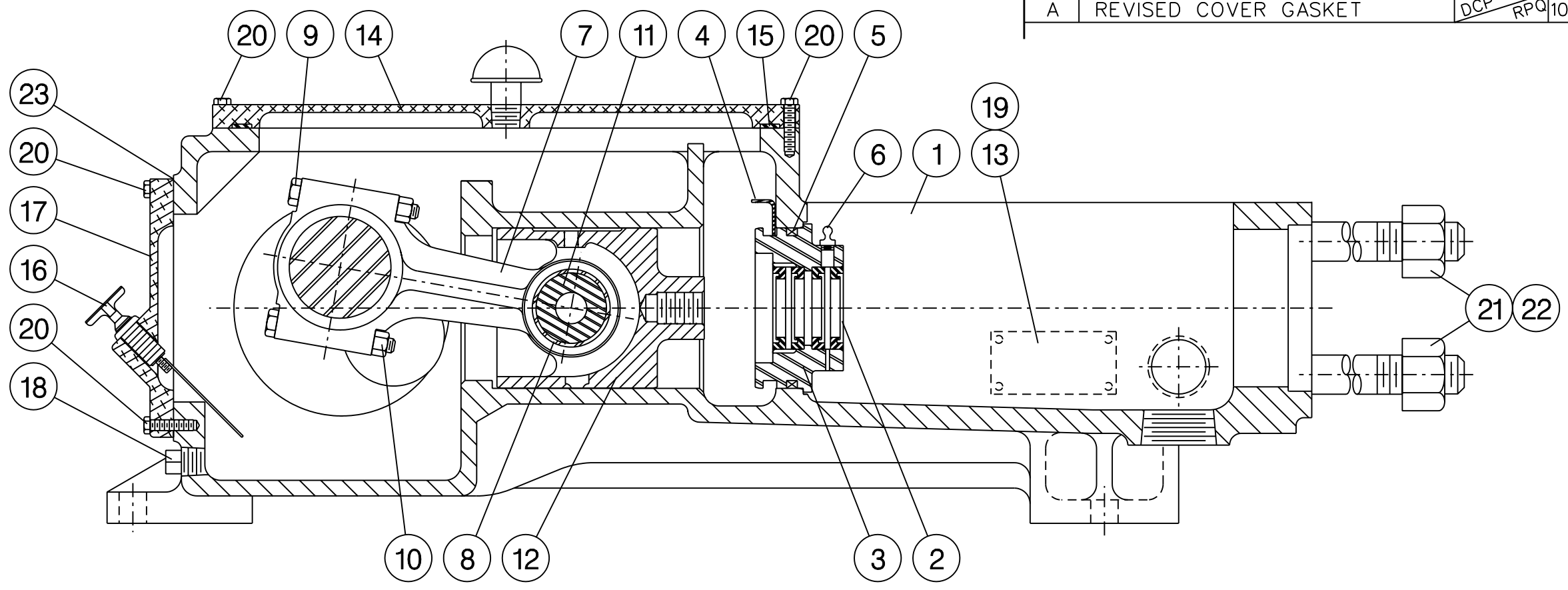
SEE PAGE 7 FOR SEVERE DUTY VALVE ASSEMBLY

NOV NATIONAL OILWELL VARCO

TITLE
 FLUID END ASSEMBLY
 60T-3H TRIPLEX PLUNGER PUMP

SIZE B	REFERENCE No.	DRAWING No. 1710672	REV A
SCALE 1 / 3	EST WT	SHEET 1 OF 1	

LTR	DESCRIPTION OF CHANGE	MADE	CHKD	DATE	APPROVED	M NO
A	REVISED COVER GASKET	DCP	RPQ	10-26-00		



1	1710367	GASKET, REAR COVER PLATE	23
8	6300200	NUT, 1/4-7 HVY. HEX	22
8	10-032-362	STUD, 1/4-7 x 8 1/2" LG. ALLOY STL.	21
14	7000158-11	CAPSCREW, 5/16-18 x 1/4" LG. HEX HD. CAD. PLT.	20
4	7178025	SCREW, RD. HD. DRIVE TYPE U *2 x 1/4"	19
1	6873006	PLUG, STD. SQ. HD. 3/4"	18
1	1710015	PLATE, REAR COVER	17
1	2400054	GAUGE, DIPSTICK OIL	16
1	1710398	GASKET, TOP COVER	15
1	1710014	PLATE, POWER END TOP	14
1	G2407274	PLATE, WARNING	13
3	1710005	CROSSHEAD	12
3	1710008	PIN, CROSSHEAD	11
6	6310081	NUT, 1/2-13 FLEXLOC	10
2	1706060	BOLT, CONNECTING ROD	9
1	G1710403	BUSHING, CROSSHEAD PIN	8
3	1710400	ROD CPT., CONNECTING (INCL. ITEMS 8 & 9)	7
3	7805052	FITTING, ALEMITE 1/8"	6
3	2410031-426	SEAL, INT. ROD WIPER	5
3	G1710519	CLIP, RETAINER - INT. ROD	4
3	G1710518	RETAINER, INT. ROD WIPER	3
12	7822036	WIPER, INT. ROD	2
1	1710001	FRAME ONLY, 60T	1

QTY REQ'D	PART NO.	DESCRIPTION	ITEM NO.
-----------	----------	-------------	----------

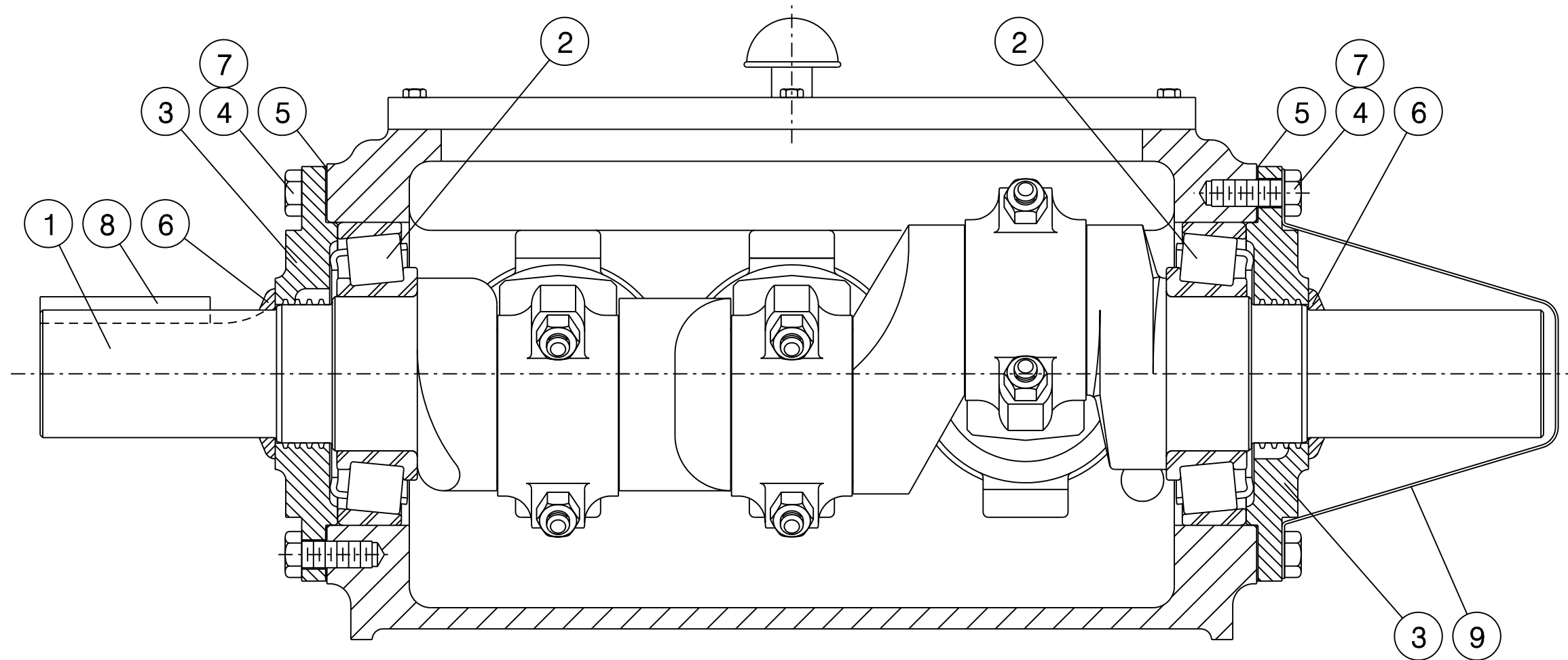
LIST OF MATERIAL



POWER END ASSEMBLY
60T-3 PLUNGER PUMP

SIZE	REFERENCE No.	DRAWING No.	REV
B		1710673	A

SCALE	EST WT	SHEET
1/4		1 OF 1



**	1	1710129	COVER, CRANKSHAFT EXT. (SLOTTED - LUBRICATOR)	9
**	1	1710128	COVER, CRANKSHAFT EXT. (SOLID)	9
	1	2401710	KEY, CRANKSHAFT $\frac{3}{4}$ " x $\frac{3}{4}$ " x 4" LG.	8
6 FT.	59-800-016		WIRE, #16 GA. ANNEALED	7
	2	7804040	EXCLUDER, DIRT	6
	6	1713627	SHIM, .007 BRG. RETAINER	5
	6	1713625	SHIM, .005 BRG. RETAINER	
	2	1713620	SHIM, .020 BRG. RETAINER	
	12	2400680	CAPSCREW, $\frac{5}{8}$ -11 x $1\frac{1}{2}$ " LG. DRLD. HD. HEX	4
	2	1710011	RETAINER, CRANKSHAFT BEARING	3
	2	ZT-3621	BEARING, TIMKEN	2
	1	G1710002	CRANKSHAFT	1
QTY REQ'D	PART NO.	DESCRIPTION / MATERIAL / SPECIFICATION		ITEM NO.
LIST OF MATERIAL				

* FURNISHED ONLY WHEN NO ACCESSORY DRIVES ARE REQUIRED

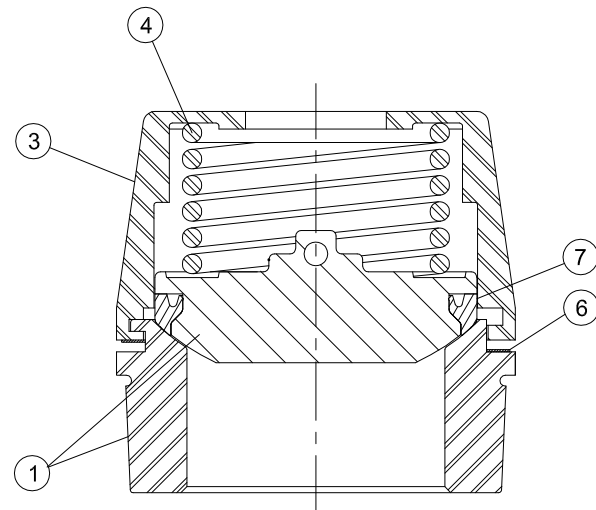
** OPTIONAL EQUIPMENT

NOV NATIONAL OILWELL VARCO

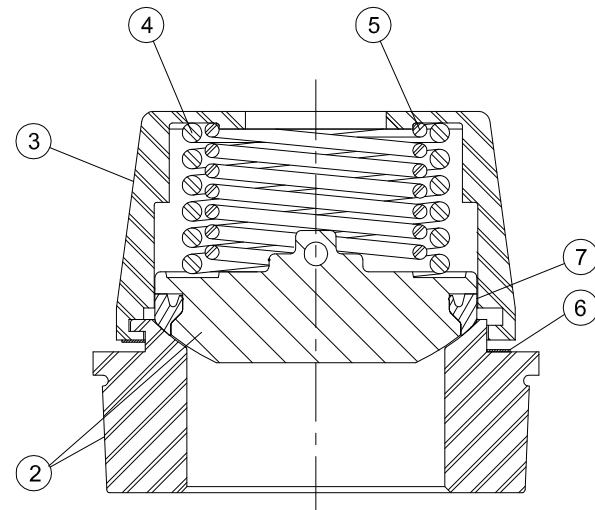
TITLE
CRANKSHAFT ASSEMBLY
60T-3 PLUNGER PUMP

SIZE B	REFERENCE No.	DRAWING No. 1710674	REV
SCALE 1/3	EST WT	SHEET 1 OF 1	

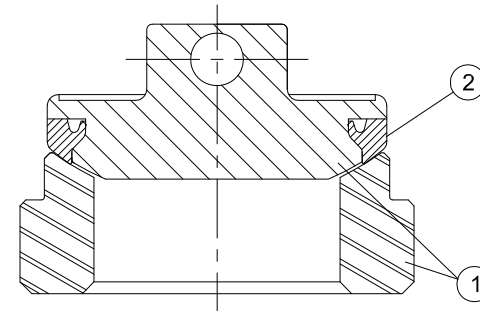
LTR	DESCRIPTION OF CHANGE	MADE	CHKD	DATE	APPROVED	M NO
A	WAS DURABLE TAPERED SEAT VALVE ASSY	WFL	RPQ	8.21.07		



SUCTION



DISCHARGE



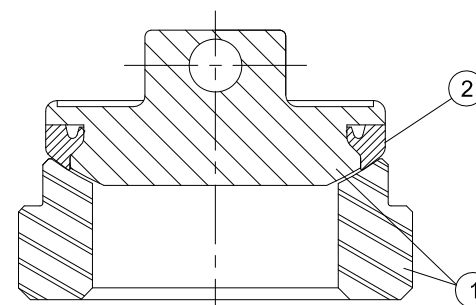
SUCTION & DISCHARGE

QTY REQ'D	PART No.	DESCRIPTION	ITEM No.
1	9707087	SEAL / INSERT	7
1	9707083	WAVE RING	6
1	1792526	SPRING, INNER	5
1	1792525	SPRING, OUTER	4
1	1792524-6W	RETAINER, SPRING	3
1	1792522-25SD	VALVE CPT., DISCHARGE - SEVERE DUTY	2
1	1792520-25SD	VALVE CPT., SUCTION - SEVERE DUTY	1

60T-3L
TAPERED SEAT
SPHERICAL SD TYPE

QTY REQ'D	PART No.	DESCRIPTION	ITEM No.
1	9707090	SEAL / INSERT	2
1	1711450-25SD	VALVE CPT., SUCTION & DISCHARGE - SEVERE DUTY	1

60T-3M
CAGE TYPE
SPHERICAL SD TYPE



SUCTION & DISCHARGE

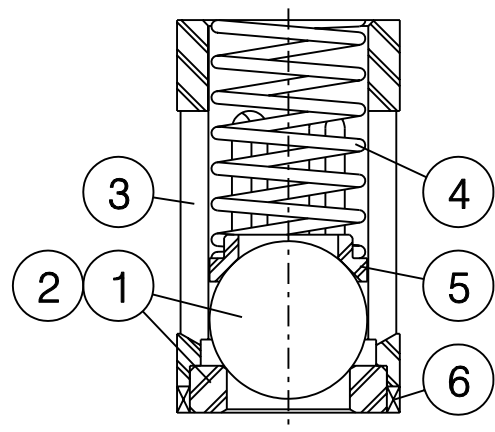
QTY REQ'D	PART No.	DESCRIPTION	ITEM No.
1	9707092	SEAL / INSERT	2
1	1710510-25SD	VALVE CPT., SUCTION & DISCHARGE - SEVERE DUTY	1

60T-3H
CAGE TYPE
SPHERICAL SD TYPE



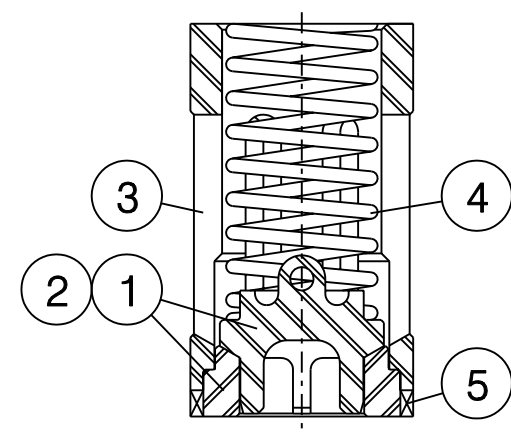
HOUSTON, TEXAS U.S.A.		ENGINEERING, McALESTER, OKLAHOMA	
TITLE SEVERE DUTY VALVE ASSY. 60T-3 TRIPLEX PLUNGER PUMP			
SIZE B	REFERENCE No.	DRAWING No. 1710675	REV A
SCALE	EST WT	SHEET 1 OF 1	

1	1711112	1710112	SEAL	6
1	1709025	1710105	RETAINER, SPRING	5
1	1709010	1710103	SPRING	4
1	1709007-6	1710101-6	CAGE	3
1	1711106	1710106	VALVE & SEAT (DISCHARGE)	2
1	1711106	1710106	VALVE & SEAT (SUCTION)	1
QTY REQ'D	PART NO. 60T-3M	PART NO. 60T-3H	DESCRIPTION	ITEM NO.
LIST OF MATERIAL				



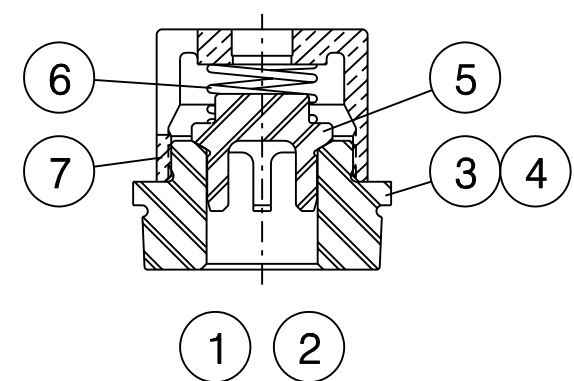
60T - 3M &
60T - 3H & 3PO
CAGE TYPE
BALL VALVE

1	1711112	1710112	SEAL	5
1	1709033	1710326	SPRING	4
1	1709427-6	1710335-6	CAGE	3
1	1711500-25	1710500-25	VALVE & SEAT (DISCHARGE)	2
1	1711500-25	1710500-25	VALVE & SEAT (SUCTION)	1
QTY REQ'D	PART NO. 60T-3M	PART NO. 60T-3H	DESCRIPTION	ITEM NO.
LIST OF MATERIAL				



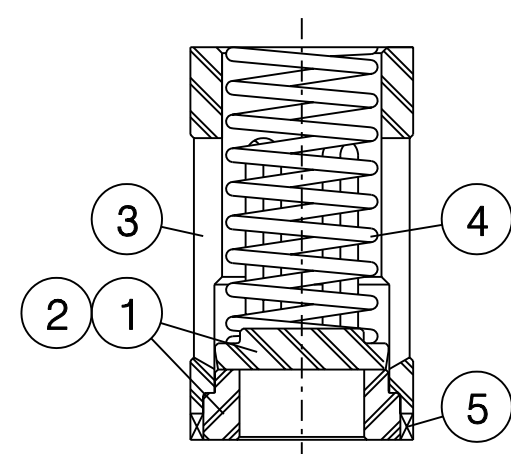
60T - 3MCA & 3HCA
BOTTOM GUIDED
CAGE TYPE VALVE

1	1792504-26	1792004-26	RETAINER, SPRING	7
1	1792505P	1792005P	SPRING	6
1	1790066	1711502	VALVE	5
1		1792003-4	SEAT, VALVE - DISCHARGE	4
1		1792001-4	SEAT, VALVE - SUCTION	
1	1792503-4		SEAT, VALVE - DISCHARGE	3
1	1792501-4		SEAT, VALVE - SUCTION	
1	1792502-4	1792002-4	VALVE CPT. - DISCHARGE	2
1	1792500-4	1792000-4	VALVE CPT. - SUCTION	1
QTY REQ'D	PART NO. 60T-3L	PART NO. 60T-3M	DESCRIPTION	ITEM NO.
LIST OF MATERIAL				



60T - 3L & 3M
BOTTOM GUIDED
TAPERED SEAT VALVE

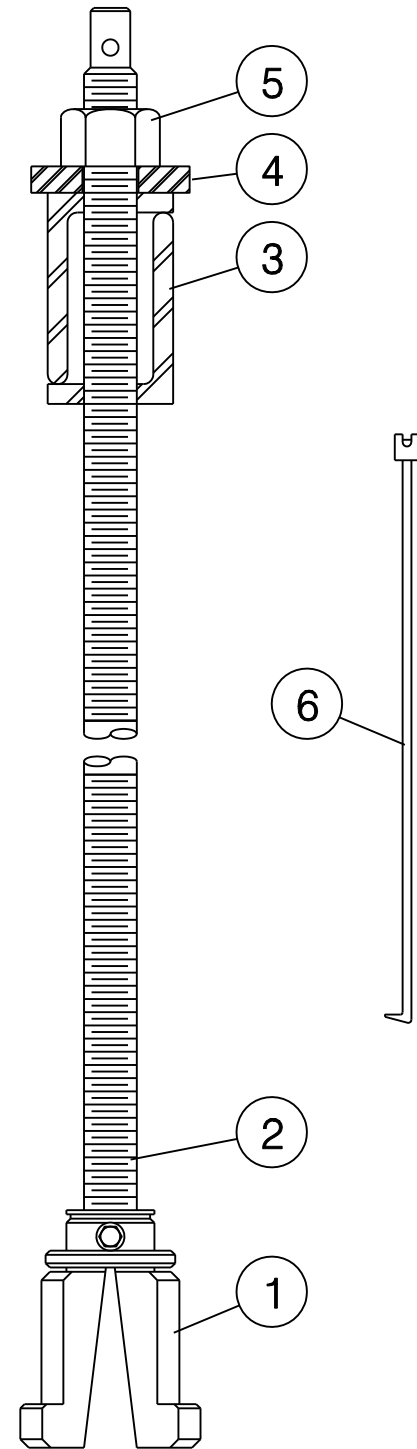
1	1711112	1710112	SEAL	5
1	1709033	1710326	SPRING	4
1	1709027-6	1710335-6	CAGE	3
1	1711332	1710332	VALVE & SEAT (DISCHARGE)	2
1	1711330	1710330	VALVE & SEAT (SUCTION)	1
QTY REQ'D	PART NO. 60T-3M	PART NO. 60T-3H	DESCRIPTION	ITEM NO.
LIST OF MATERIAL				



60T - 3MCA & 3HCA
CAGE TYPE
DISC VALVE

NOV NATIONAL OILWELL VARCO			
TITLE CAGE TYPE VALVE ASSEMBLY 60T-3 TRIPLEX PLUNGER PUMP			
SIZE B	REFERENCE No.	DRAWING No. 1710676	REV
SCALE 1/2	EST WT	SHEET 1 OF 1	

LTR	DESCRIPTION OF CHANGE	MADE CHGD	DATE	APPROVED	M	NO
A	REMOVED DURABLE VALVES	WTH RFG	8.21.07			



SPHERICAL TAPERED SEAT VALVE KIT

60T - 3L			
ITEM NO.	PART NO.	DESCRIPTION	QTY. REQD.
	180104119	VALVE KIT COMPLETE	1
1	18259250	HEAD	1
2	20220159	STEM	1
3	181205709	SPACER	1
4	75518308	NUT, 1"-8	1
5	20220194	WASHER	1
6	1790034	RETRIEVER	1

9

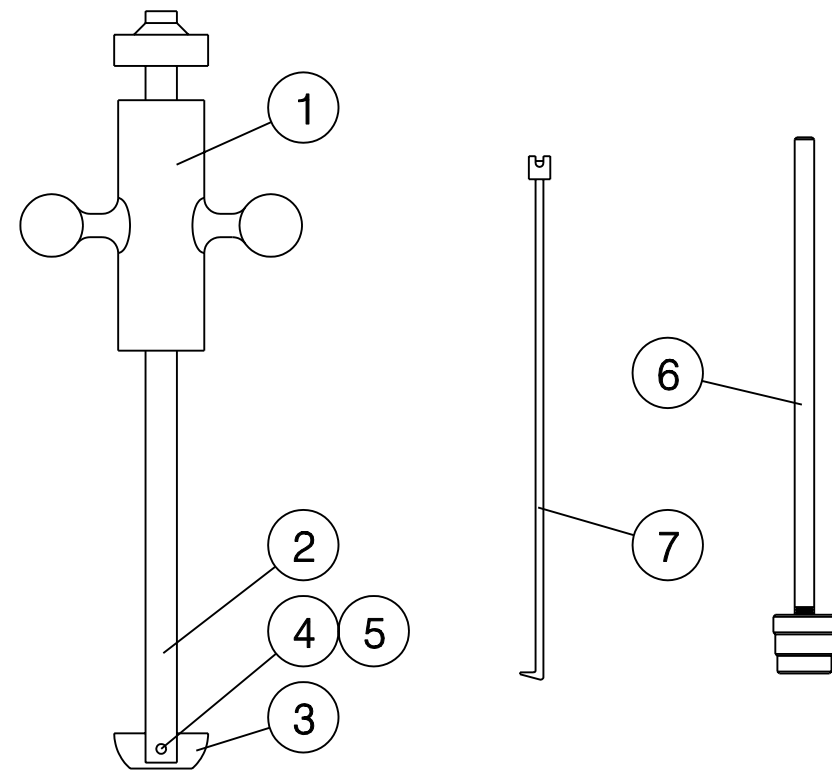
NOV NATIONAL OILWELL VARCO			
TITLE VALVE SERVICE KITS 60T-3 PLUNGER PUMP			
SIZE B	REFERENCE No.	DRAWING No. 1710677	REV A
SCALE 3/16	EST WT	SHEET 1 OF 1	

60T - 3MCA			
ITEM NO.	PART NO.	DESCRIPTION	QTY. REQD.
	1711251	VALVE KIT COMPLETE	1
	1711249	BAR CPT. (INCL. 1-5)	1
1	1790080	BUMPER	1
2	1710250	BAR	1
3	1711252	PLATE	1
4	6572016	PIN	1
5	6571216	PIN	1
6	1790041	DRIVER	1
7	1790034	RETRIEVER	1

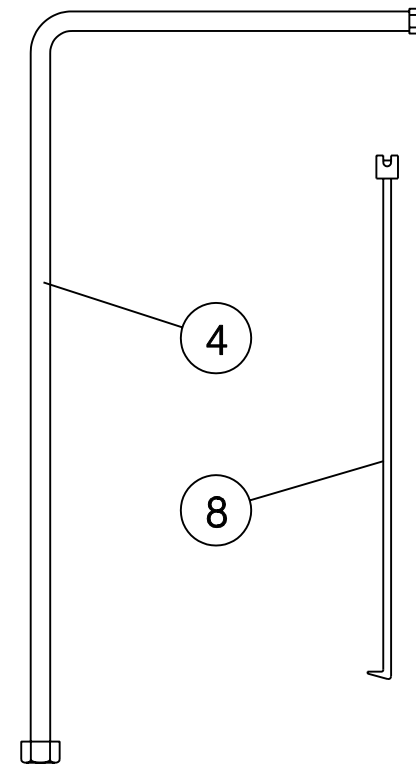
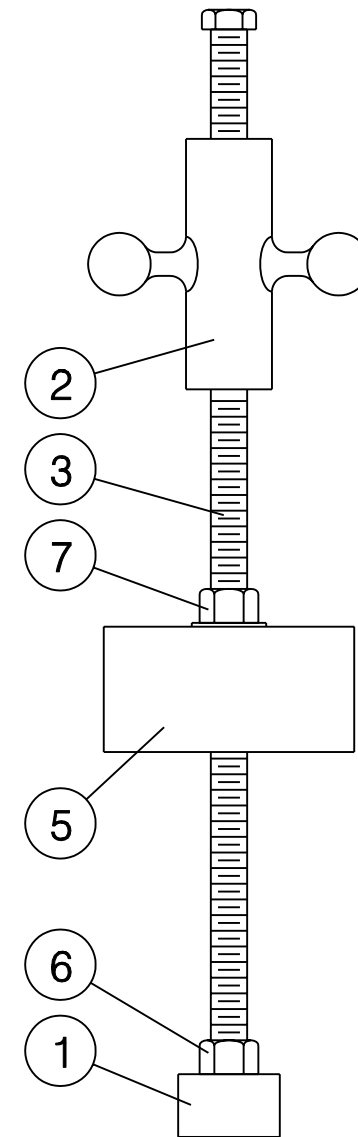
60T - 3HCA / 3PO			
ITEM NO.	PART NO.	DESCRIPTION	QTY. REQD.
	1710292	VALVE KIT COMPLETE	1
	1710249	BAR CPT. (INCL. 1-5)	1
1	1790080	BUMPER	1
2	1710250	BAR	1
3	1710252	PLATE	1
4	6572016	PIN	1
5	6571216	PIN	1
6	1790040	DRIVER	1
7	1790034	RETRIEVER	1

60T - 3L			
ITEM NO.	PART NO.	DESCRIPTION	QTY. REQD.
	1792507	VALVE KIT COMPLETE	1
1	1792506	HEAD	1
2	1790080	BUMPER	1
3	1790081	BAR	1
4	1790082	WRENCH	1
5	1713109	SUPPORT	1
6	6300160	NUT	1
7	6314002	NUT	1
8	1790034	RETRIEVER	1

60T - 3M			
ITEM NO.	PART NO.	DESCRIPTION	QTY. REQD.
	1792007	VALVE KIT COMPLETE	1
1	1792006	HEAD	1
2	1790080	BUMPER	1
3	1790081	BAR	1
4	1790082	WRENCH	1
5	1713109	SUPPORT	1
6	6300160	NUT	1
7	6314002	NUT	1
8	1790034	RETRIEVER	1

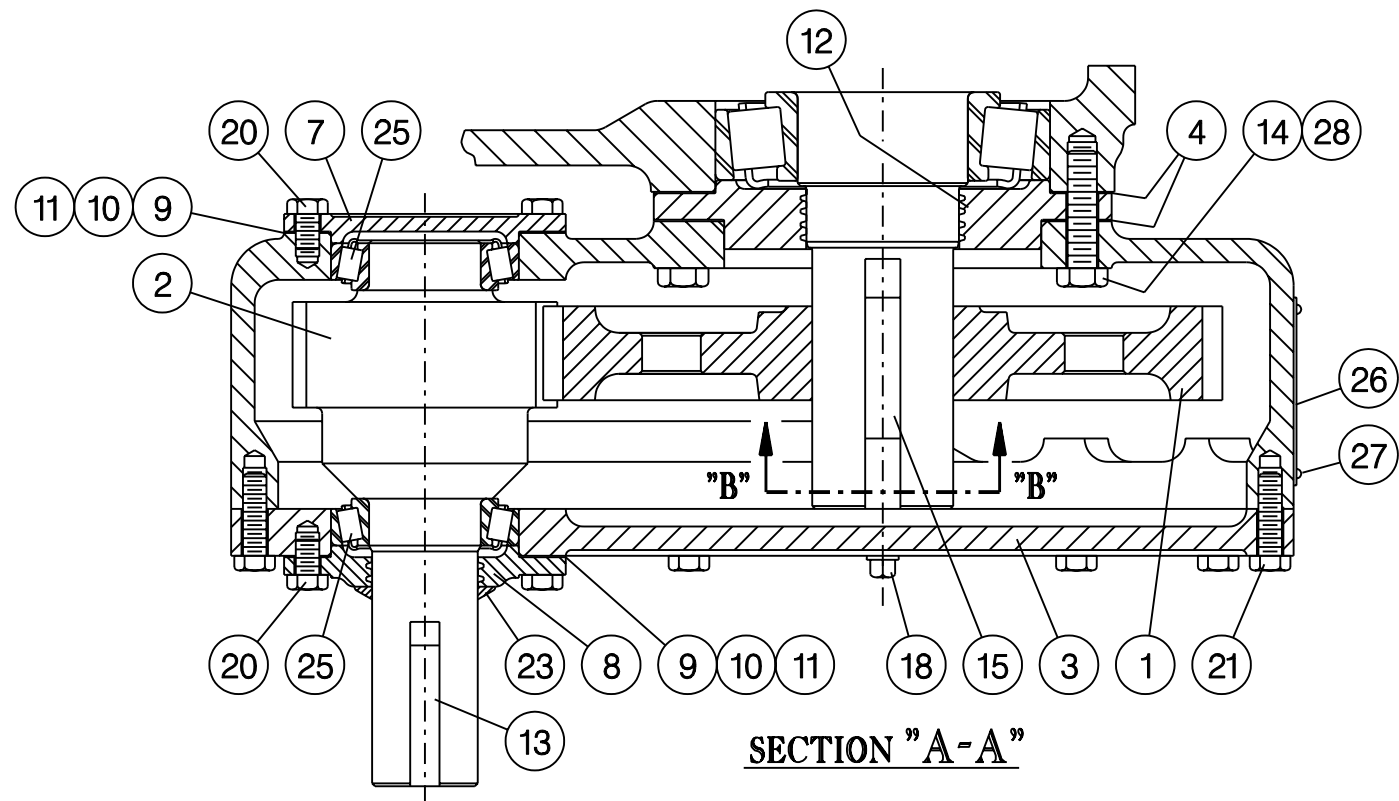


CAGE TYPE VALVE KIT
(SPHERICAL, BOTTOM GUIDED, DISC, OR BALL)

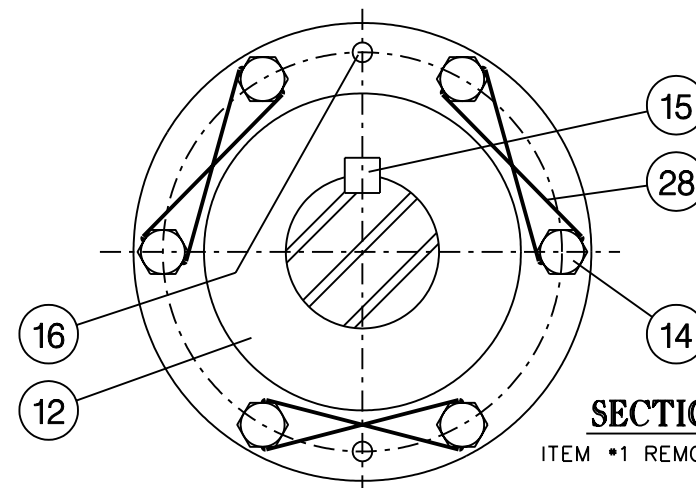


NATIONAL OILWELL TAPERED SEAT VALVE KIT

NOV NATIONAL OILWELL VARCO			
TITLE VALVE SERVICE KITS 60T-3 PLUNGER PUMP			
SIZE B	REFERENCE No.	DRAWING No. 1710678	REV
SCALE 1/6	EST WT	SHEET 1 OF 1	

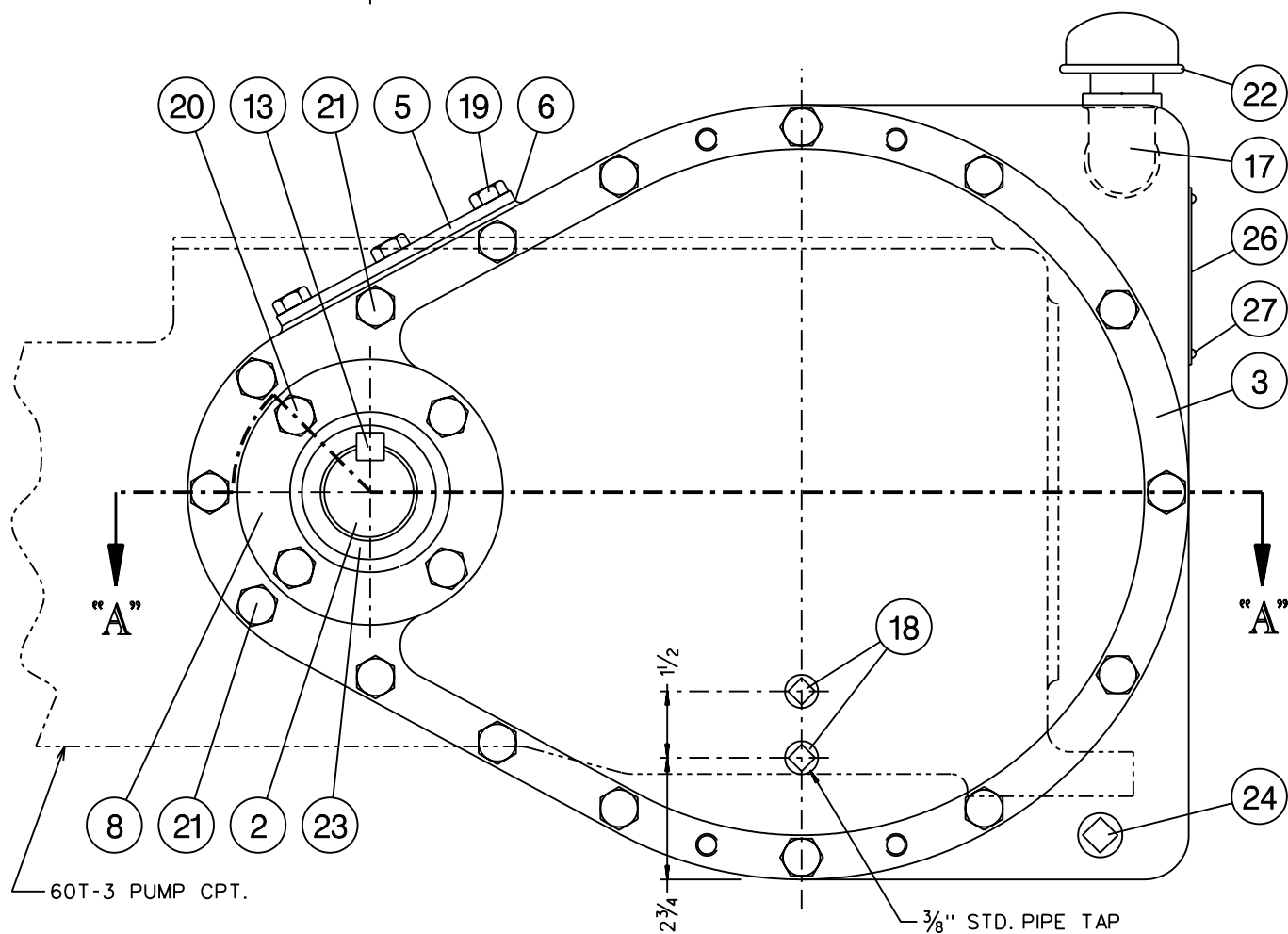


SECTION "A-A"



SECTION "B-B"
ITEM #1 REMOVED FOR CLARITY

3 FT.	59800016			LOCKWIRE, #16 GA. ANNEALED	28	
1	7178025			SCREW, RD HD DRIVE #2 x 1/4"	27	
1	1711606			PLATE, NAME & INSTRUCTION	26	
2	ZT-2370			BEARING, PINION SHAFT	25	
1	7815056			PLUG, MAGNETIC DRAIN 1"	24	
1	7804041			EXCLUDER, BRG	23	
1	7802020			CAP, BREATHER #S-183	22	
16	7000306-11			SCREW, HEX HD CAP 1/2" x 1 3/4"	21	
8	7000301-11			SCREW, HEX HD CAP 1/2" x 3/4"	20	
4	7000303-11			SCREW, HEX HD CAP 1/2" x 1"	19	
2	6874003			PLUG, STD PIPE 3/8"	18	
1	6829008			ELBOW, STD 1" x 90° STREET	17	
2	6580844			PIN, TAPER #8 x 2 3/4"	16	
1	2402640			KEY, GEAR 3/4" x 3/4" x 3"	15	
8	2402850			SCREW, HEX HD DRLD 5/8" x 2 1/2"	14	
1	2404050			KEY, PINION 5/8" x 5/8" x 3"	13	
1	1710618			RETAINER, CRANKSHAFT BRG	12	
6	1710627			SHIM, BEARING RETAINER .007	11	
6	1710625			SHIM, BEARING RETAINER .005	10	
2	1710620			SHIM, BEARING RETAINER .020	9	
1	1710605			CAP, H.S. PINION BRG OPEN	8	
1	1710604			CAP, H.S. PINION BRG BLIND	7	
1	1710619			GASKET, INSPECTION COVER	6	
1	2206529			COVER, INSPECTION	5	
1	7817200-68			GASKET, LOCTITE PLASTIC	4	
1	1710602	1710602	1710602	1710602	HOUSING CPT, GEAR REDUCER	3
1	1710615	1710614	1710613	1710612	PINION	2
1	1710608	1710609	1710610	1710611	GEAR	1
QTY REQ'D	PART NO.	PART NO.	PART NO.	PART NO.	DESCRIPTION	ITEM NO.
	1710633	1710632	1710631	1710630		
	3.03 RATIO	3.50 RATIO	2.77 RATIO	2.34 RATIO		
	GEAR REDUCER ASSY. COMPLETE B/M No.'s					



60T-3 PUMP CPT.

1/2

3/8" STD. PIPE TAP

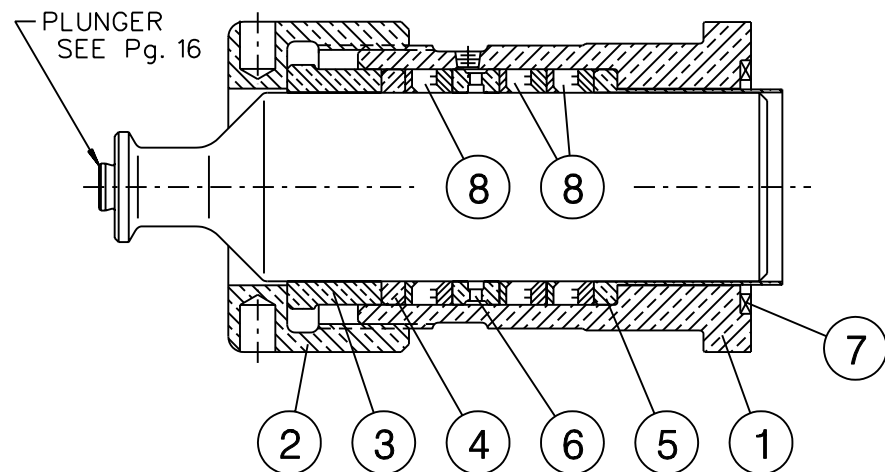
NOV NATIONAL OILWELL VARCO

TITLE
GEAR REDUCER ASSEMBLY
60T-3 TRIPLEX PLUNGER PUMP

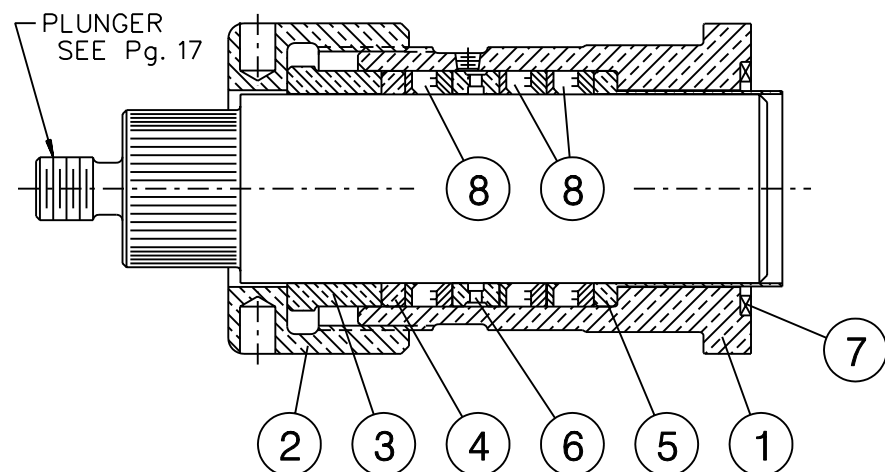
SIZE B REFERENCE No. DRAWING No. 1710679 REV

SCALE 1/4 EST WT SHEET 1 OF 1

11



60T - 3L & 3M PLUNGER KIT
WITH CLAMPED PLUNGER



60T - 3L & 3M PLUNGER KIT
WITH THREADED PLUNGER

QTY REQ'D	PART NO.	DESCRIPTION	ITEM NO.
1	6422340	3" - 850-N UNIVERSAL PACKING	8
1	6422338	2 3/4" - 850-N UNIVERSAL PACKING	
1	6422333	2 1/2" - 850-N UNIVERSAL PACKING	
1	6422330	2 1/4" - 850-N UNIVERSAL PACKING	
1	6422322	2" - 850-N UNIVERSAL PACKING	
1	6422319	1 3/4" - 850-N UNIVERSAL PACKING	
1	2410031-342	SEAL, STUFFING BOX	7
1	1712132	3" LUBE RING	6
1	1712131	2 3/4" LUBE RING	
1	1710134	2 1/2" LUBE RING	
1	1710133	2 1/4" LUBE RING	
1	1710132	2" LUBE RING	
1	1710131	1 3/4" LUBE RING	
1	1710118	3" SLEEVE WASHER	5
1	1710117	2 3/4" SLEEVE WASHER	
1	1710116	2 1/2" SLEEVE WASHER	
1	1710115	2 1/4" SLEEVE WASHER	
1	1710114	2" SLEEVE WASHER	
1	1710113	1 3/4" SLEEVE WASHER	
1	1710100	3" WASHER	4
1	1710099	2 3/4" WASHER	
1	1710098	2 1/2" WASHER	
1	1710097	2 1/4" WASHER	
1	1710096	2" WASHER	
1	1710095	1 3/4" WASHER	
1	1710094	3" GLAND	3
1	1710093	2 3/4" GLAND	
1	1710092	2 1/2" GLAND	
1	1710091	2 1/4" GLAND	
1	1710090	2" GLAND	
1	1710089	1 3/4" GLAND	
1	1710065	NUT, ADJUSTING	2
1	1710076	3" PLG'R x 3 3/4" BORE STUFFING BOX	1
1	1710076	2 3/4" PLG'R x 3 3/4" BORE STUFFING BOX	
1	1710075	2 1/2" PLG'R x 3 1/4" BORE STUFFING BOX	
1	1710075	2 1/4" PLG'R x 3 1/4" BORE STUFFING BOX	
1	1710074	2" PLG'R x 2 3/4" BORE STUFFING BOX	
1	1710074	1 3/4" PLG'R x 2 3/4" BORE STUFFING BOX	

60T- 3L PLUNGER KIT

QTY REQ'D	PART NO.	DESCRIPTION	ITEM NO.
1	6422322	2" - 850-N UNIVERSAL PACKING	8
1	6422319	1 3/4" - 850-N UNIVERSAL PACKING	
1	6422316	1 5/8" - 850-N UNIVERSAL PACKING	
1	6422312	1 1/2" - 850-N UNIVERSAL PACKING	7
1	2410031-342	1 3/4" & 2" SEAL, STUFFING BOX	
1	2410031-334	1 1/2" & 1 5/8" SEAL, STUFFING BOX	
1	1710132	2" LUBE RING	6
1	1710131	1 3/4" LUBE RING	
1	1710142	1 5/8" LUBE RING	
1	1710141	1 1/2" LUBE RING	
1	1710114	2" SLEEVE WASHER	
1	1710113	1 3/4" SLEEVE WASHER	
1	1710161	1 5/8" SLEEVE WASHER	5
1	1710162	1 1/2" SLEEVE WASHER	
1	1710096	2" WASHER	
1	1710095	1 3/4" WASHER	4
2	1710060	1 5/8" WASHER	
2	1710059	1 1/2" WASHER	
1	1710090	2" GLAND	
1	1710089	1 3/4" GLAND	3
1	1710054	1 5/8" GLAND	
1	1710053	1 1/2" GLAND	
1	1710065	1 3/4" & 2" ADJUSTING NUT	2
1	1710025	1 1/2" & 1 5/8" ADJUSTING NUT	
1	1710074	2" PLG'R x 2 3/4" BORE STUFFING BOX	1
1	1710074	1 3/4" PLG'R x 2 3/4" BORE STUFFING BOX	
1	1710036	1 5/8" PLG'R x 2 3/8" BORE STUFFING BOX	
1	1710036	1 1/2" PLG'R x 2 3/8" BORE STUFFING BOX	

60T - 3M PLUNGER KIT

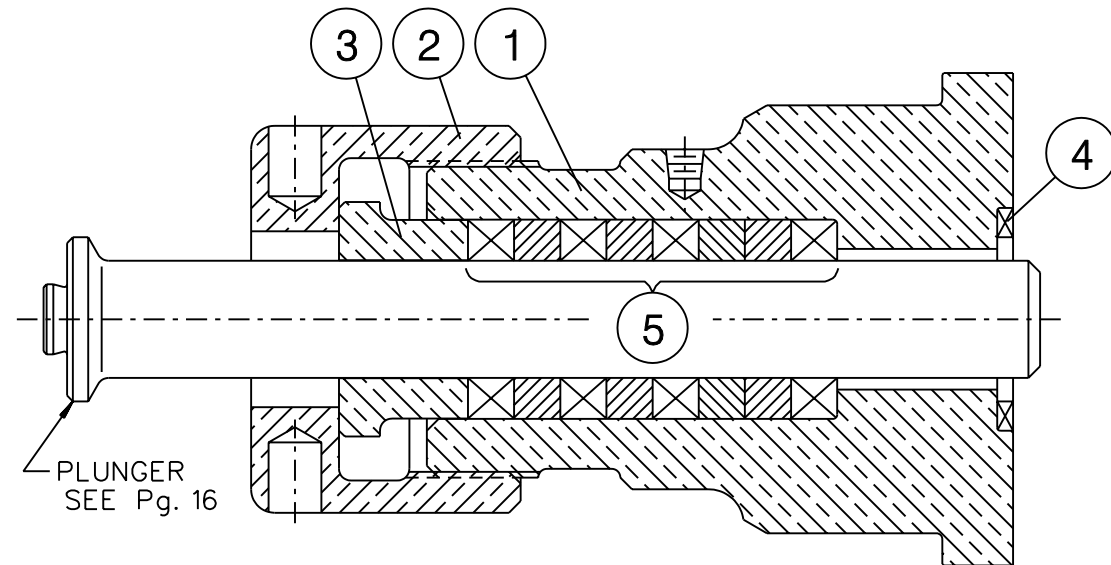


TITLE
ASSEMBLY, PLUNGER KIT
60T-3L & 3M TRIPLEX PUMP

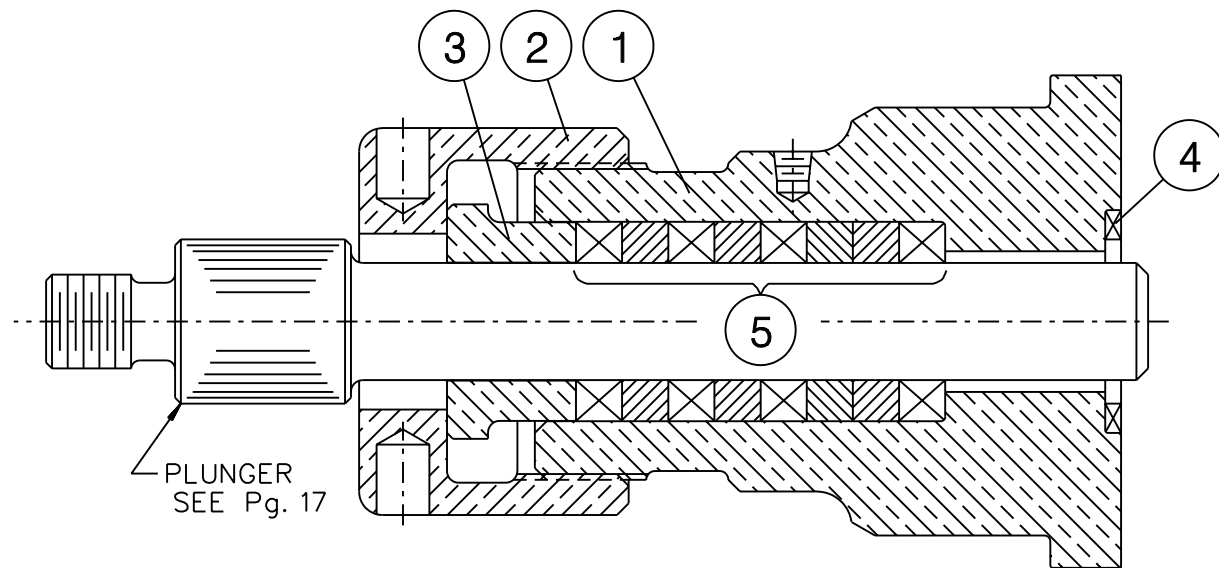
SIZE REFERENCE No. DRAWING No. REV
B 1710680

SCALE 1/3 EST WT SHEET 1 OF 1

5 USE ONLY WITH CERAMIC PLUNGER.
REPLACE ONE OF ITEM *4 WITH ITEM *5



60T-3M / 3H PLUNGER KIT
WITH CLAMPED PLUNGER



60T-3M / 3H PLUNGER KIT
WITH THREADED PLUNGER

1	6420402	1 ³ / ₈ " - 1045 UNIVERSAL PACKING	5
1	6420420	1 ¹ / ₄ " - 1045 UNIVERSAL PACKING	
1	2410031-334	SEAL, STUFFING BOX	4
1	1710052	1 ³ / ₈ " GLAND	3
1	1710051	1 ¹ / ₄ " GLAND	
1	1710025	NUT, ADJUSTING	2
1	1710036	1 ³ / ₈ " PLG'R x 2 ³ / ₈ " BORE STUFFING BOX	1
1	1710035	1 ¹ / ₄ " PLG'R x 2" BORE STUFFING BOX	
QTY REQ'D	PART NO.	DESCRIPTION	ITEM NO.

LIST OF MATERIAL

60T - 3M PLUNGER KIT

1	6420421	1 ³ / ₈ " - 1045 UNIVERSAL PACKING	5
1	6420401	1 ¹ / ₄ " - 1045 UNIVERSAL PACKING	
1	6420415	1 ¹ / ₈ " - 1045 UNIVERSAL PACKING	
1	6420419	1" - 1045 UNIVERSAL PACKING	
1	2410031-329	SEAL, STUFFING BOX	4
1	1710304	1 ³ / ₈ " GLAND	3
1	1710303	1 ¹ / ₄ " GLAND	
1	1710302	1 ¹ / ₈ " GLAND	
1	1710301	1" GLAND	
1	1710025	NUT, ADJUSTING	2
1	1710295	1 ³ / ₈ " PLG'R x 2 ¹ / ₈ " BORE STUFFING BOX	1
1	1710295	1 ¹ / ₄ " PLG'R x 2 ¹ / ₈ " BORE STUFFING BOX	
1	1710294	1 ¹ / ₈ " PLG'R x 1 ⁷ / ₈ " BORE STUFFING BOX	
1	1710294	1" PLG'R x 1 ⁷ / ₈ " BORE STUFFING BOX	
QTY REQ'D	PART NO.	DESCRIPTION	ITEM NO.

LIST OF MATERIAL

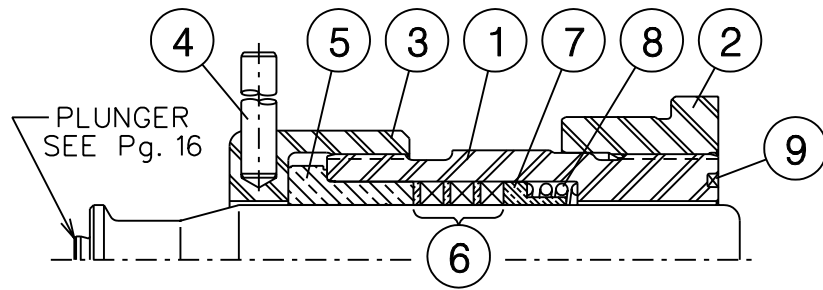
60T - 3H PLUNGER KIT

NOV NATIONAL OILWELL VARCO

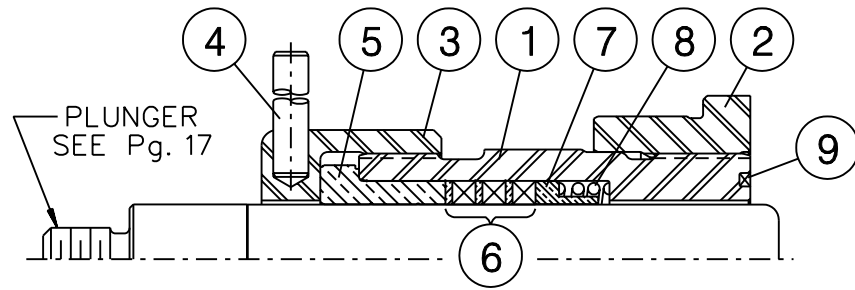
TITLE
ASSEMBLY, PLUNGER KIT
60T-3M/3H TRIPLEX PUMP

SIZE B	REFERENCE No.	DRAWING No. 1710681	REV
-----------	---------------	------------------------	-----

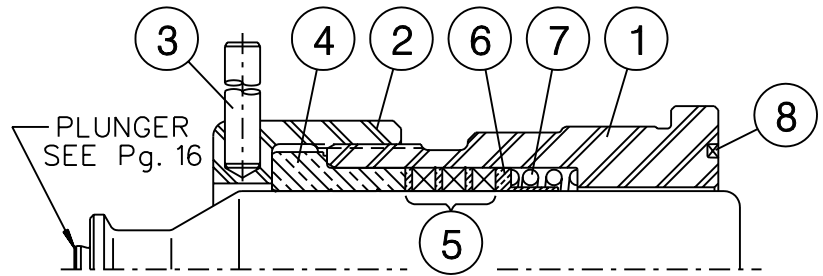
SCALE 1/2	EST WT	SHEET 1 OF 1
--------------	--------	-----------------



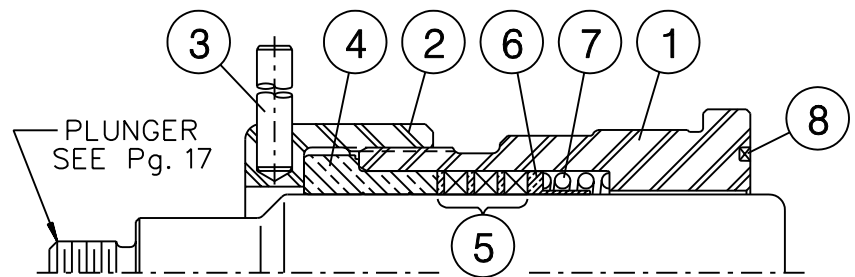
60T-3M (1 3/8" THRU 1 3/4" PLG'R)
PLUNGER KIT WITH CLAMPED PLUNGER



60T-3M (1 3/8" THRU 1 3/4" PLG'R)
PLUNGER KIT WITH THREADED PLUNGER



60T-3L & 60T-3M (1 7/8" & 2" PLG'R)
PLUNGER KIT WITH CLAMPED PLUNGER



60T-3L & 60T-3M (1 7/8" & 2" PLG'R)
PLUNGER KIT WITH THREADED PLUNGER

QTY REQ'D	PART NO.	DESCRIPTION	ITEM NO.
1	2410031-342	SEAL, STUFFING BOX	8
1	342-008	2 3/4" & 3" SPRING	7
1	342-000	2 1/4" & 2 1/2" SPRING	
1	L342-260	2" SPRING	
1	342-015	3" FOLLOWER	6
1	342-014	2 3/4" FOLLOWER	
1	342-002	2 1/2" FOLLOWER	
1	342-001	2 1/4" FOLLOWER	5
1	L342-368	2" FOLLOWER	
1	342-019	3" KEVLAR PACKING	
1	342-018	2 3/4" KEVLAR PACKING	4
1	342-004	2 1/2" KEVLAR PACKING	
1	342-003	2 1/4" KEVLAR PACKING	
1	342-768	2" KEVLAR PACKING	3
1	342-022	2 3/4" & 3" GLAND	
1	342-006	2 1/2" GLAND	
1	342-005	2 1/4" GLAND	2
1	L342-168	2" GLAND	
1	342-914	PIN, LOCKING	
1	342-961	2 3/4" & 3" ADJUSTING NUT	1
1	342-922	2 1/4" & 2 1/2" ADJUSTING NUT	
1	L342-913	2" ADJUSTING NUT	
1	342-947	3" PLG'R x 3 3/4" BORE STUFFING BOX	1
1	342-947	2 3/4" PLG'R x 3 3/4" BORE STUFFING BOX	
1	342-921	2 1/2" PLG'R x 3 1/4" BORE STUFFING BOX	
1	342-921	2 1/4" PLG'R x 3 1/4" BORE STUFFING BOX	
1	342-920	2" PLG'R x 2 3/4" BORE STUFFING BOX	

LIST OF MATERIAL

60T - 3L PLUNGER KIT

QTY REQ'D	PART NO.	DESCRIPTION	ITEM NO.
1	2410031-342	1 7/8" & 2" SEAL, STUFFING BOX	9
1	2410031-332	1 3/8", 1 1/2", 1 5/8" & 1 3/4" SEAL, STUFFING BOX	8
1	L342-260	1 7/8" & 2" SPRING	
1	L342-240	1 1/2", 1 5/8" & 1 3/4" SPRING	
1	L342-210	1 3/8" SPRING	7
1	L342-368	2" FOLLOWER	
1	L342-367	1 7/8" FOLLOWER	
1	L342-346	1 3/4" FOLLOWER	6
1	L342-345	1 5/8" FOLLOWER	
1	L342-344	1 1/2" FOLLOWER	
1	L342-313	1 3/8" FOLLOWER	5
1	L342-768	2" KEVLAR PACKING	
1	L342-767	1 7/8" KEVLAR PACKING	
1	L342-746	1 3/4" KEVLAR PACKING	4
1	L342-745	1 5/8" KEVLAR PACKING	
1	L342-744	1 1/2" KEVLAR PACKING	
1	L342-713	1 3/8" KEVLAR PACKING	3
1	L342-168	2" GLAND	
1	L342-167	1 7/8" GLAND	
1	L342-146	1 3/4" GLAND	2
1	L342-145	1 5/8" GLAND	
1	L342-144	1 1/2" GLAND	
1	L342-113	1 3/8" GLAND	1
1	342-914	PIN, LOCKING	
1	L342-913	1 7/8" & 2" ADJUSTING NUT	
1	L342-912	1 3/8", 1 1/2", 1 5/8" & 1 3/4" ADJUSTING NUT	
1	L342-900	1 3/8" - 1 7/8" RETAINER	
1	342-920	2" PLG'R x 2 3/4" BORE STUFFING BOX	1
1	342-920	1 7/8" PLG'R x 2 3/4" BORE STUFFING BOX	
1	L342-902	1 3/4" PLG'R x 2 1/2" BORE STUFFING BOX	
1	L342-902	1 5/8" PLG'R x 2 1/2" BORE STUFFING BOX	
1	L342-902	1 1/2" PLG'R x 2 1/2" BORE STUFFING BOX	
1	342-969	1 3/8" PLG'R x 2 1/8" BORE STUFFING BOX	

LIST OF MATERIAL

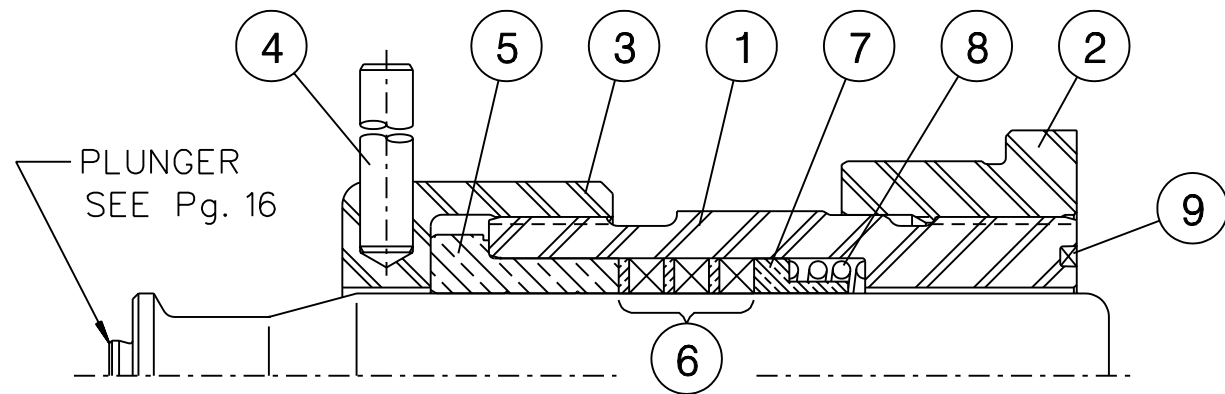
60T - 3M PLUNGER KIT



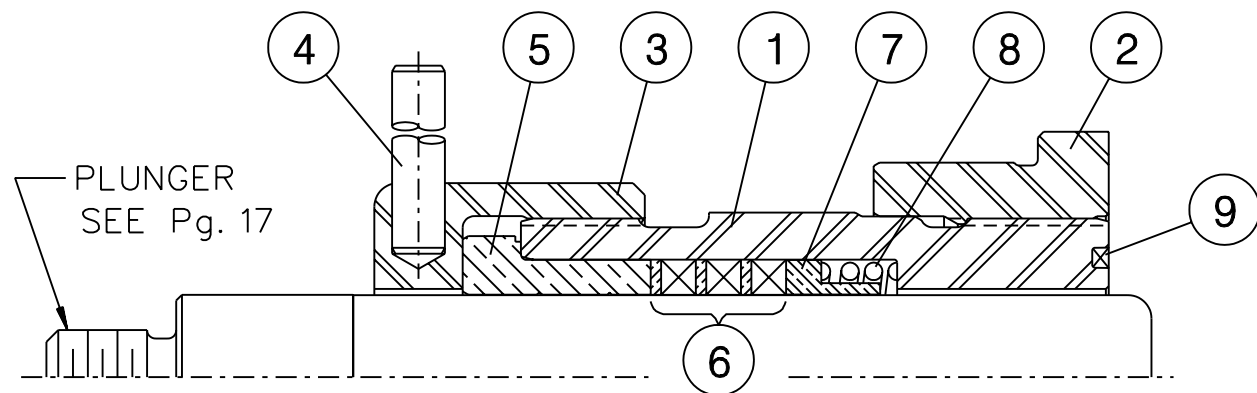
TITLE ASSEMBLY, SS PLUNGER KITS
WITH KEVLAR PACKING
60T-3L/3M TRIPLEX PUMP

SIZE B REFERENCE No. DRAWING No. 1710682 REV

SCALE 1/3 EST WT SHEET 1 OF 1



60T-3H PLUNGER KIT
WITH CLAMPED PLUNGER



60T-3H PLUNGER KIT
WITH THREADED PLUNGER

1	2410031-329	SEAL, STUFFING BOX	9
1	L342-210	1/8", 1/4" & 1 3/8" SPRING	8
1	342-265	1" SPRING	
1	L342-313	1 3/8" FOLLOWER	7
1	L342-312	1/4" FOLLOWER	
1	L342-311	1/8" FOLLOWER	
1	342-351	1" FOLLOWER	6
1	L342-713	1 3/8" KEVLAR PACKING	
1	L342-712	1/4" KEVLAR PACKING	
1	342-711	1/8" KEVLAR PACKING	
1	342-749	1" KEVLAR PACKING	5
1	L342-113	1 3/8" GLAND	
1	L342-112	1/4" GLAND	
1	L342-111	1/8" GLAND	
1	342-119	1" GLAND	4
1	342-914	PIN, LOCKING	3
1	L342-912	NUT, ADJUSTING	2
1	L342-900	RETAINER, STUFFING BOX	1
1	L342-901	1 3/8" PLG'R x 2 1/8" BORE STUFFING BOX	
1	L342-901	1/4" PLG'R x 2 1/8" BORE STUFFING BOX	
1	L342-901	1/8" PLG'R x 2 1/8" BORE STUFFING BOX	
1	342-946	1" PLG'R x 1 3/4" BORE STUFFING BOX	
QTY REQ'D	PART NO.	DESCRIPTION	ITEM NO.

LIST OF MATERIAL

60T - 3H PLUNGER KIT

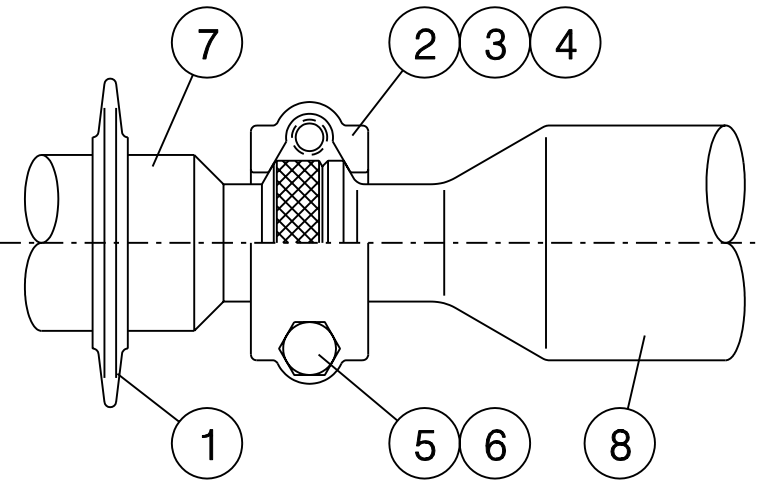
NOV NATIONAL OILWELL VARCO

TITLE ASSEMBLY, SS PLUNGER KITS
WITH KEVLAR PACKING
60T-3H TRIPLEX PUMP

SIZE B REFERENCE No. DRAWING No. 1710683 REV

SCALE 1/2 EST WT SHEET 1 OF 1

BILL OF MATERIAL		
ITEM	PART NO.	DESCRIPTION
1	L340-003	INTERMEDIATE ROD, S.S.
2	L340-001	CLAMP COMPLETE
3	L340-001-1	CLAMP, BOLT HALF
4	L340-001-2	CLAMP, THREAD HALF
5	L195-063	CAPSCREW, HEX HEAD
6	L195-064	WASHER, SPRING LOCK
7	1710018	BAFFLE, INTERMEDIATE ROD



DOUBLE TAPER CLAMP

PLUNGERS FOR DOUBLE TAPER CLAMPS			
60T – 3L			
ITEM	* PART NO.*	PART NO.	DESCRIPTION
8	1710428	340-130	3" CARBIDE PLUNGER
	1710427	340-129	2¾" CARBIDE PLUNGER
	1710426	340-006	2½" CARBIDE PLUNGER
	1710425	340-005	2¼" CARBIDE PLUNGER
	1710424	340-128	2" CARBIDE PLUNGER
	1710423	340-126	1¾" CARBIDE PLUNGER
	60T – 3M		
	1710424	340-128	2" CARBIDE PLUNGER
	-----	340-127	1⅞" CARBIDE PLUNGER
	1710423	340-126	1¾" CARBIDE PLUNGER
	1710422	340-125	1⅝" CARBIDE PLUNGER
	1710421	340-124	1½" CARBIDE PLUNGER
60T – 3H			
	1710420	L340-123	1⅜" CARBIDE PLUNGER
	1710419	340-122	1¼" CARBIDE PLUNGER
	1710418	340-121	1⅛" CARBIDE PLUNGER
	1710417	340-120	1" CARBIDE PLUNGER

PLUNGERS FOR DOUBLE TAPER CLAMPS		
60T – 3L		
ITEM	PART NO.	DESCRIPTION
8	1710468	3" CERAMIC PLUNGER
	1710467	2¾" CERAMIC PLUNGER
	1710466	2½" CERAMIC PLUNGER
	1710465	2¼" CERAMIC PLUNGER
	1710464	2" CERAMIC PLUNGER
	1710463	1¾" CERAMIC PLUNGER
	60T – 3M	
	1710464	2" CERAMIC PLUNGER
	-----	1⅞" CERAMIC PLUNGER
	1710463	1¾" CERAMIC PLUNGER
	1710462	1⅝" CERAMIC PLUNGER
	1710461	1½" CERAMIC PLUNGER
60T – 3H		
	-----	1⅜" CERAMIC PLUNGER
	-----	1¼" CERAMIC PLUNGER
	-----	1⅛" CERAMIC PLUNGER
	-----	1" CERAMIC PLUNGER

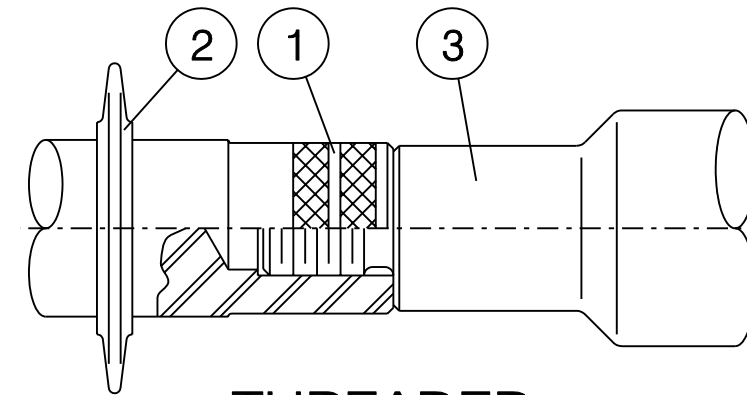
* LISTED PART NO.'s WERE PREVIOUSLY HARD COAT PLUNGERS

NOV NATIONAL OILWELL VARCO

TITLE PLUNGER/INTERMEDIATE ROD ASSY.
DOUBLE TAPER CLAMP
60T-3 PLUNGER PUMP

SIZE C	REFERENCE No.	DRAWING No. 1710684	REV
SCALE 1/2	EST WT	SHEET 1 OF 1	

BILL OF MATERIAL		
ITEM	PART NO.	DESCRIPTION
1	340-021	INTERMEDIATE ROD, S.S.
2	1710018	BAFFLE, INTERMEDIATE ROD



THREADED

THREADED PLUNGERS

60T – 3L

ITEM	* PART NO.*	PART NO.	DESCRIPTION
3	1710048	340-300	3" CARBIDE PLUNGER
	1710047	340-171	2¾" CARBIDE PLUNGER
	1710046	340-170	2½" CARBIDE PLUNGER
	1710045	340-169	2¼" CARBIDE PLUNGER
	1710044	340-168	2" CARBIDE PLUNGER
	1710043	340-166	1¾" CARBIDE PLUNGER
60T – 3M			
	1710044	340-168	2" CARBIDE PLUNGER
	-----	340-167	1⅞" CARBIDE PLUNGER
	1710043	340-166	1¾" CARBIDE PLUNGER
	1710042	L340-165	1⅝" CARBIDE PLUNGER
	1710041	340-164	1½" CARBIDE PLUNGER
60T – 3H			
	1710040	340-163	1⅜" CARBIDE PLUNGER
	1710039	340-162	1¼" CARBIDE PLUNGER
	1710297	L340-161	1⅛" CARBIDE PLUNGER
	1710296	340-160	1" CARBIDE PLUNGER

THREADED PLUNGERS

60T – 3L

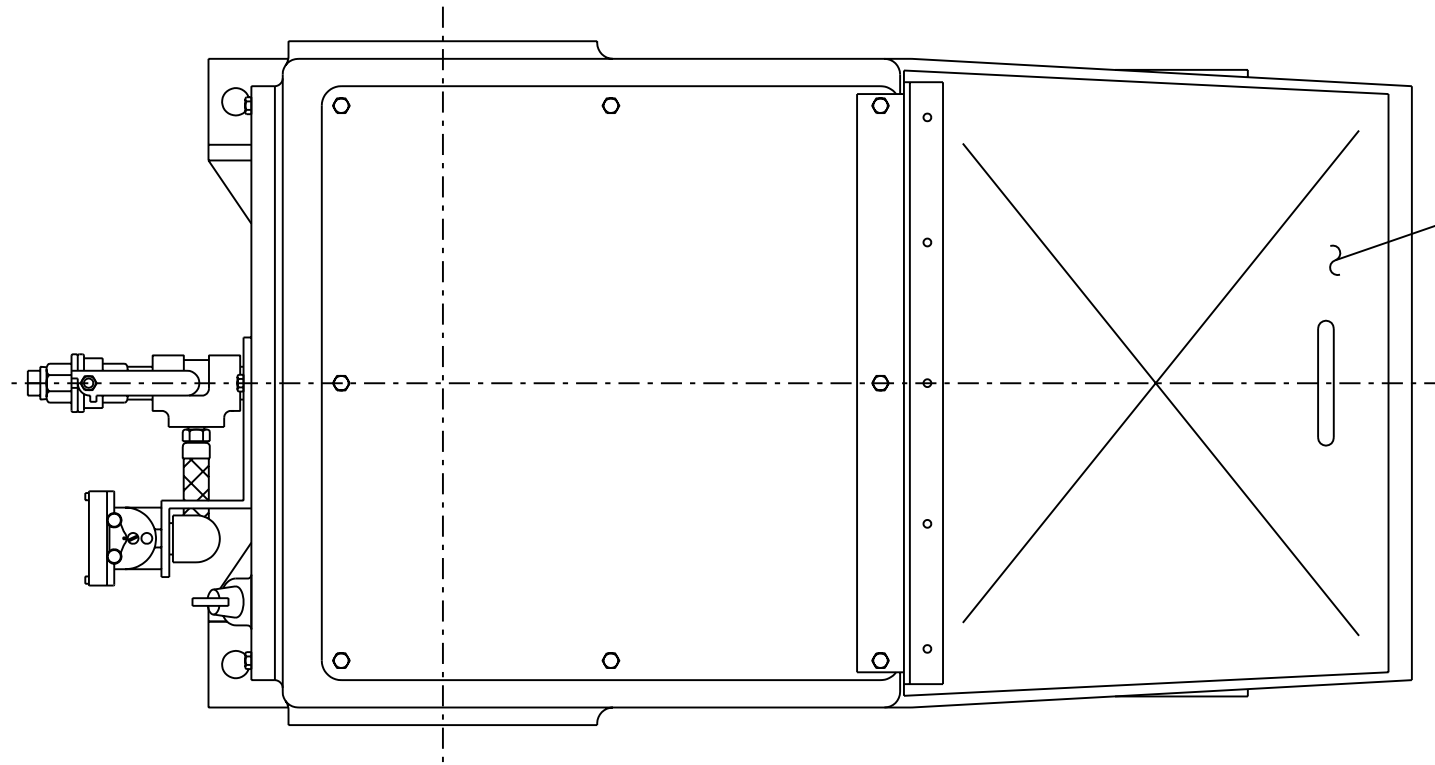
ITEM	PART NO.	DESCRIPTION
3	1710082	3" CERAMIC PLUNGER
	1710081	2¾" CERAMIC PLUNGER
	1710080	2½" CERAMIC PLUNGER
	1710079	2¼" CERAMIC PLUNGER
	1710078	2" CERAMIC PLUNGER
	1710072	1¾" CERAMIC PLUNGER
60T – 3M		
	1710078	2" CERAMIC PLUNGER
	-----	1⅞" CERAMIC PLUNGER
	1710072	1¾" CERAMIC PLUNGER
	1710299	1⅝" CERAMIC PLUNGER
	1710137	1½" CERAMIC PLUNGER
60T – 3H		
	-----	1⅜" CERAMIC PLUNGER
	07970742	1¼" CERAMIC PLUNGER
	-----	1⅛" CERAMIC PLUNGER
	-----	1" CERAMIC PLUNGER

* LISTED PART NO.'s WERE PREVIOUSLY HARD COAT PLUNGERS

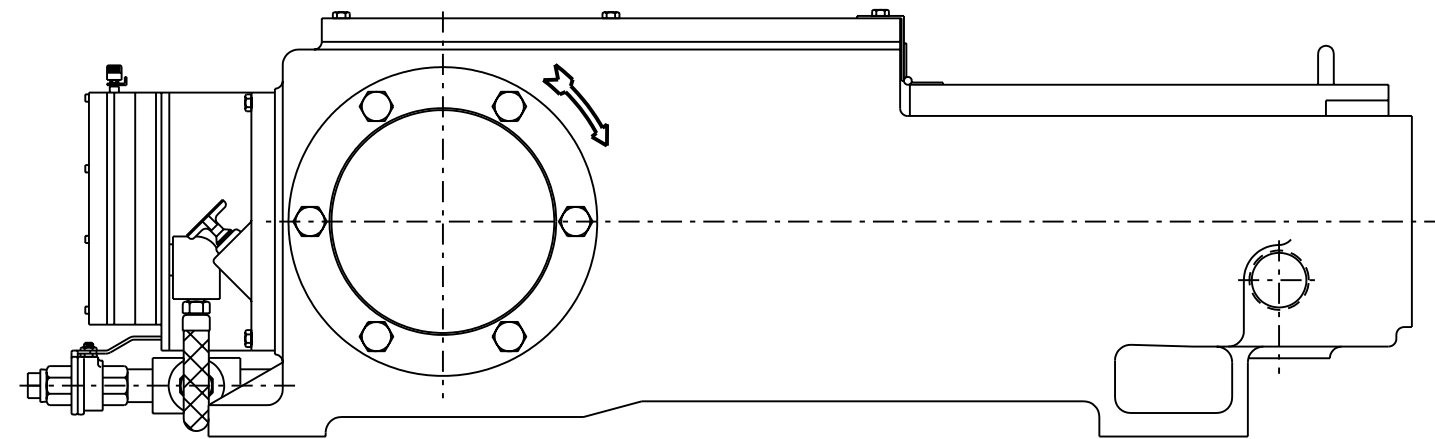
NOV NATIONAL OILWELL VARCO

TITLE PLUNGER/INTERMEDIATE ROD ASSY.
THREADED PLUNGER
60T-3 PLUNGER PUMP

SIZE C	REFERENCE No.	DRAWING No. 1710685	REV
SCALE 1/2	EST WT	SHEET 1 OF 1	

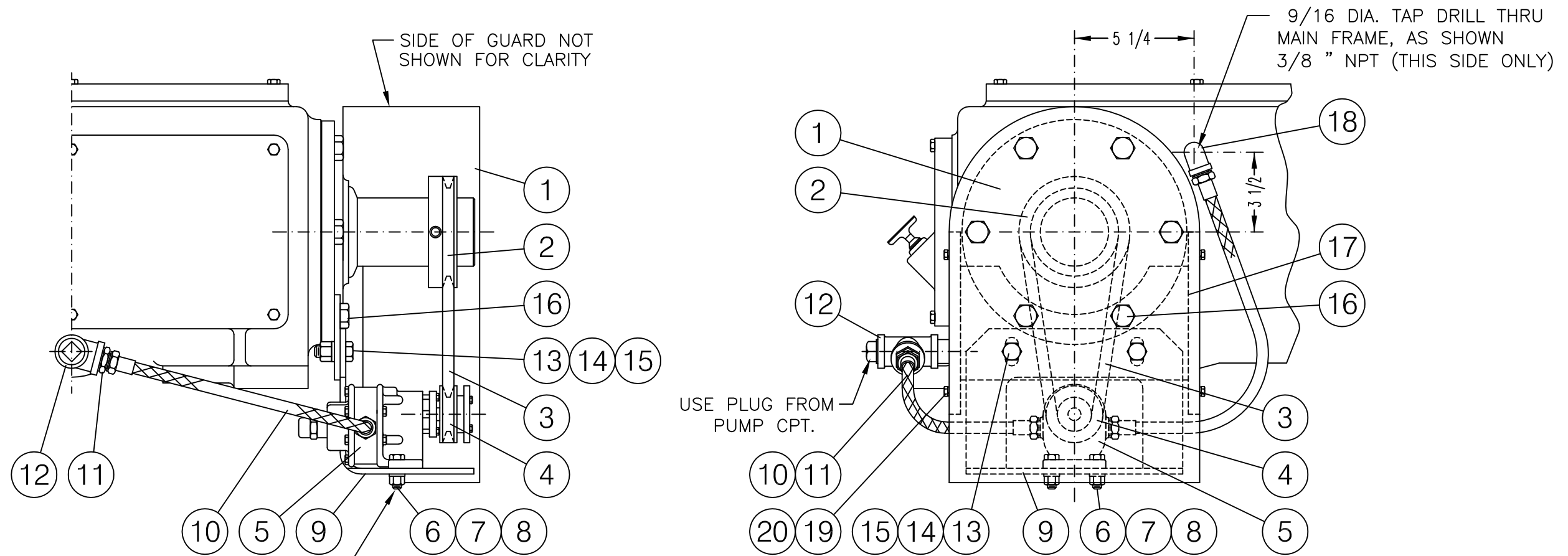


PLUNGER CHAMBER COVER
P/N 1710154 (14 GA. STL.)



OIL LEVEL SWITCH ASSY.
(TYPICAL ARRANGEMENT)
MURPHY L-129 SHOWN
SWITCH MODEL, LOCATION & PIPING ARRANGEMENT
WILL VARY DEPENDING ON APPLICATION

NOV NATIONAL OILWELL VARCO			
TITLE OPTIONAL ACCESSORIES 60T-3 TRIPLEX PLUNGER PUMP			
SIZE B	REFERENCE No.	DRAWING No. 1710687	REV
SCALE 1/6	EST WT	SHEET 1 OF 1	



MOUNT PUMP AS SHOWN USING THE (2) REAR MOUNTING HOLES IN PUMP FOOT

QTY REQ'D	PART NO.	DESCRIPTION	ITEM NO.
4	7619033	WASHER, 1/4" SPRING	20
4	7000106-11	CAPSCREW, 1/4" -20 x 3/4" LG. HEX HEAD	19
1	6829003	ELBOW, STREET 3/8" x 90° 150#	18
1	1710385	PLATE, MOUNTING - AUX. LUBE	17
2	2400930	CAPSCREW, 5/8 -11 x 13/4" LG. DRILLED HEX HEAD	16
2	7619050	WASHER, 1/2" SPRING	15
2	6300081	NUT, 1/2" -13 HEX	14
2	7000304-11	CAPSCREW, 1/2" -13 x 1 1/4" LG. HEX HEAD	13
1	6890006	TEE, 3/4" 150# - SERVICE	12
1	6800061	BUSHING, PIPE- 3/4" (M) x 3/8" (F)	11
2	1712304	HOSE ASSEMBLY, 3/8" x 20" LG.	10
1	1709285	BRACKET, LUBE PUMP	9
2	7619041	WASHER, 3/8" SPRING	8
2	6300062	NUT, 3/8 -16 HEX	7
2	7000209-11	CAPSCREW, 3/8 -16 x 1 1/4" LG. HEX HEAD	6
1	7815070	PUMP, B&S #1 WORV MODEL 713-1-1	5
1	7200024	SHEAVE, PUMP (2.5" P.D.-1A w/ 9/16 DIA. BORE)	4
1	4712280	BELT, 2280 GATES - "A" SECT.	3
1	1710124	SHEAVE, DRIVER (4.6" P.D.)	2
1	1710384	GUARD, LUBE PUMP	1
LIST OF MATERIAL			

*

* USE LUBE PUMP GUARD, C/N 1710386 WHEN LUBRICATOR IS ADDED

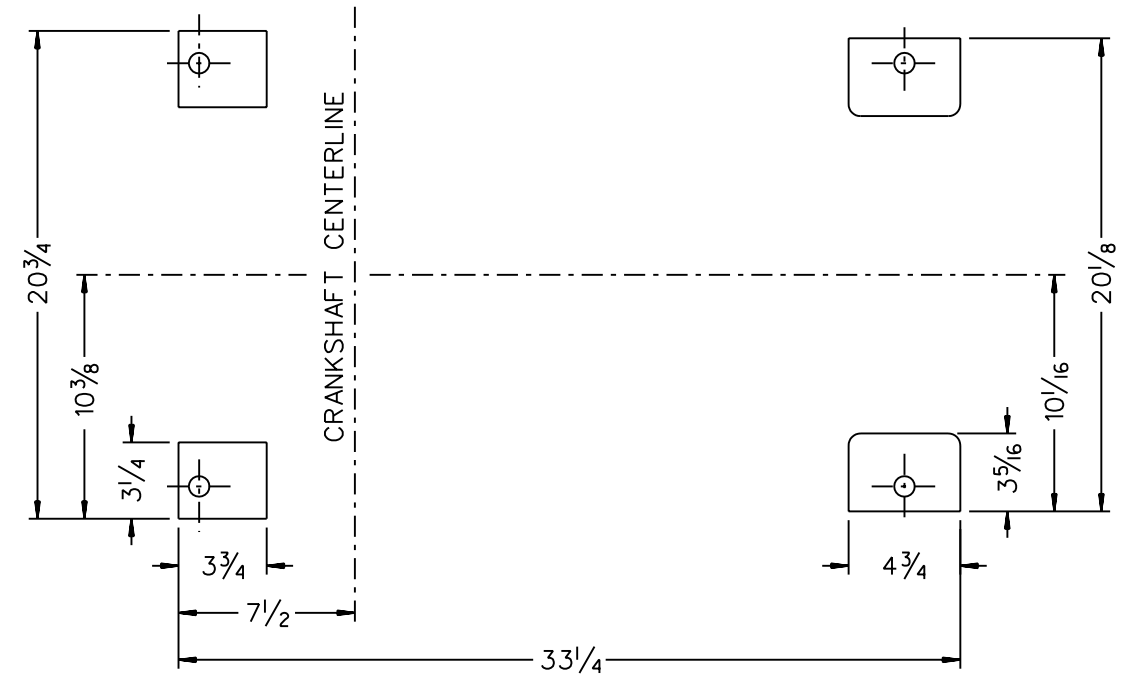
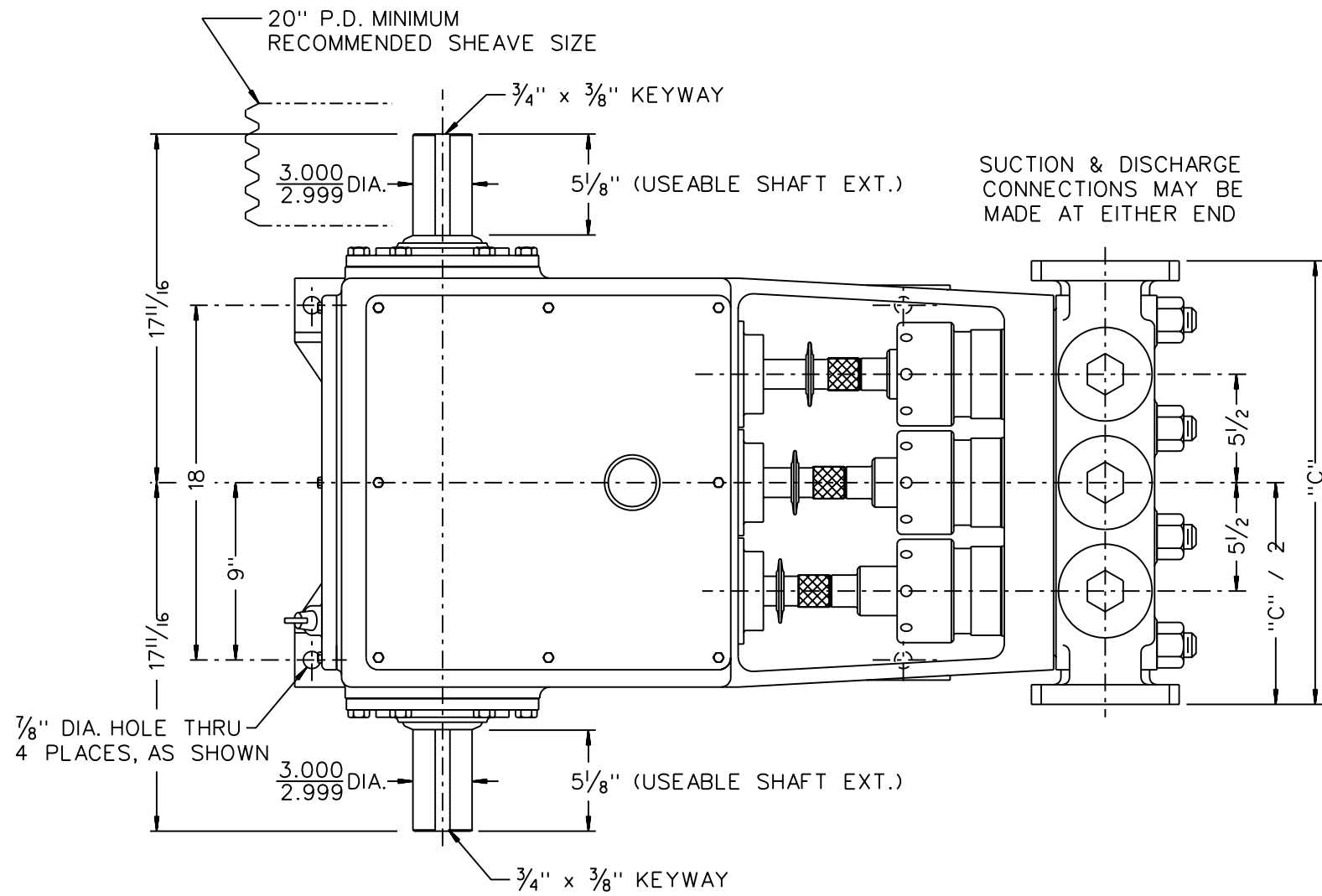
NOV NATIONAL OILWELL VARCO

HOUSTON, TEXAS U.S.A. ENGINEERING, MCALESTER, OKLAHOMA

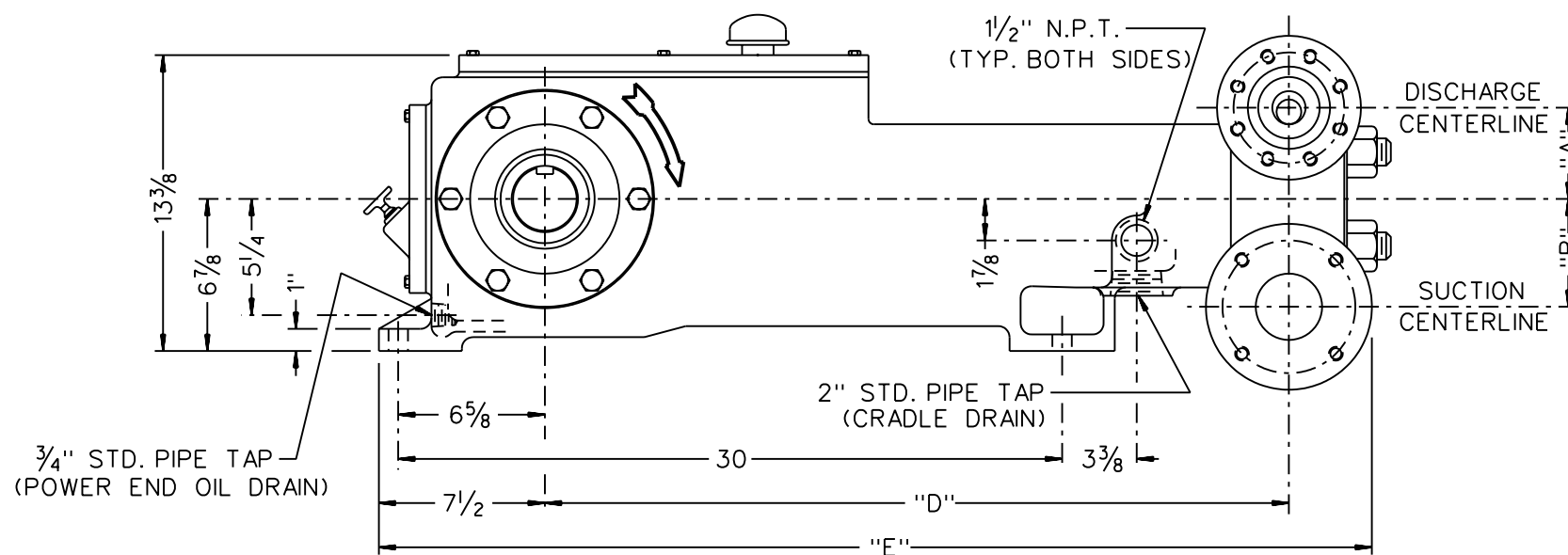
TITLE
AUX. LUBE SYSTEM - SLOW SPEED
60T-3 TRIPLEX PLUNGER PUMP

SIZE B REFERENCE No. DRAWING No. 1710689 REV A

SCALE 3/16 EST WT SHEET 1 OF 1



PUMP FOOTPRINT



PUMP TYPE	DISCHARGE CONNECTION	SUCTION CONNECTION	DIMENSIONS IN INCHES				
			A	B	C	D	E
60T-3L (FLANGED)	2" API-2000* R.J.	3" ANSI-150* F.F.	4 1/8	4 7/8	22 1/2	33 5/8	44 7/8
60T-3L (THREADED)	2" N.P.T.	3" N.P.T.	4 1/8	4 7/8	20 1/2	33 5/8	43 3/4
60T-3M	1 1/2" API-5000* R.J.	2 1/2" ANSI-150* F.F.	4	4 1/2	22 1/4	33 5/8	43 3/4
60T-3H	1 1/4" ANSI-2500* R.J.	2 1/2" ANSI-300* F.F.	4	4 1/2	22 5/8	33 5/8	44 7/8

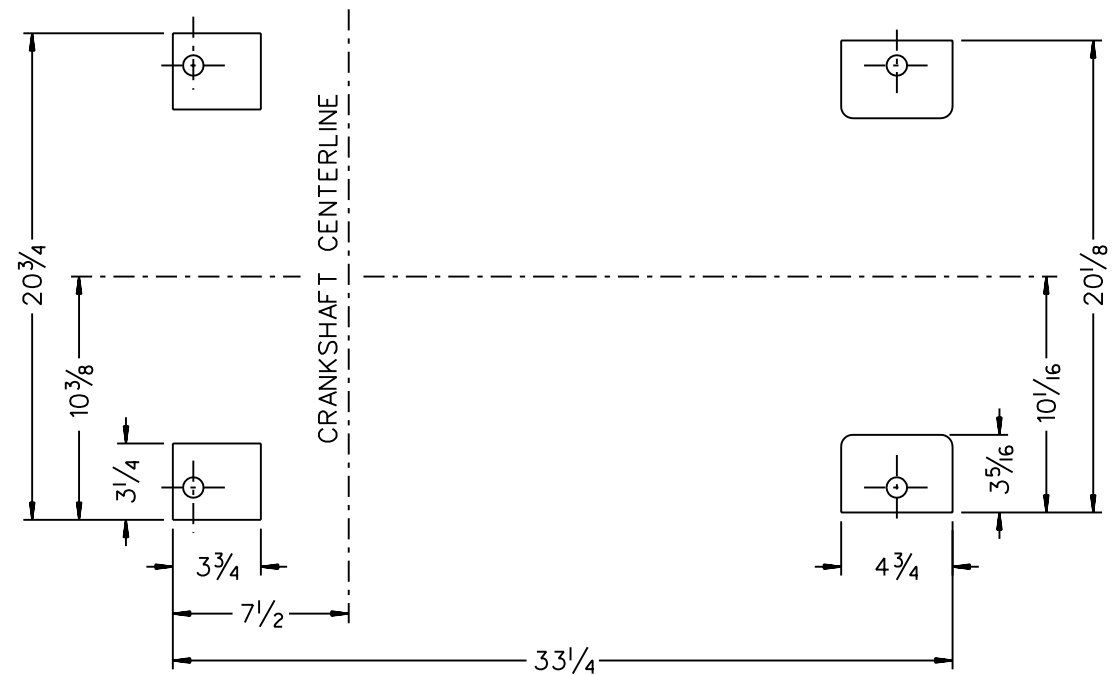
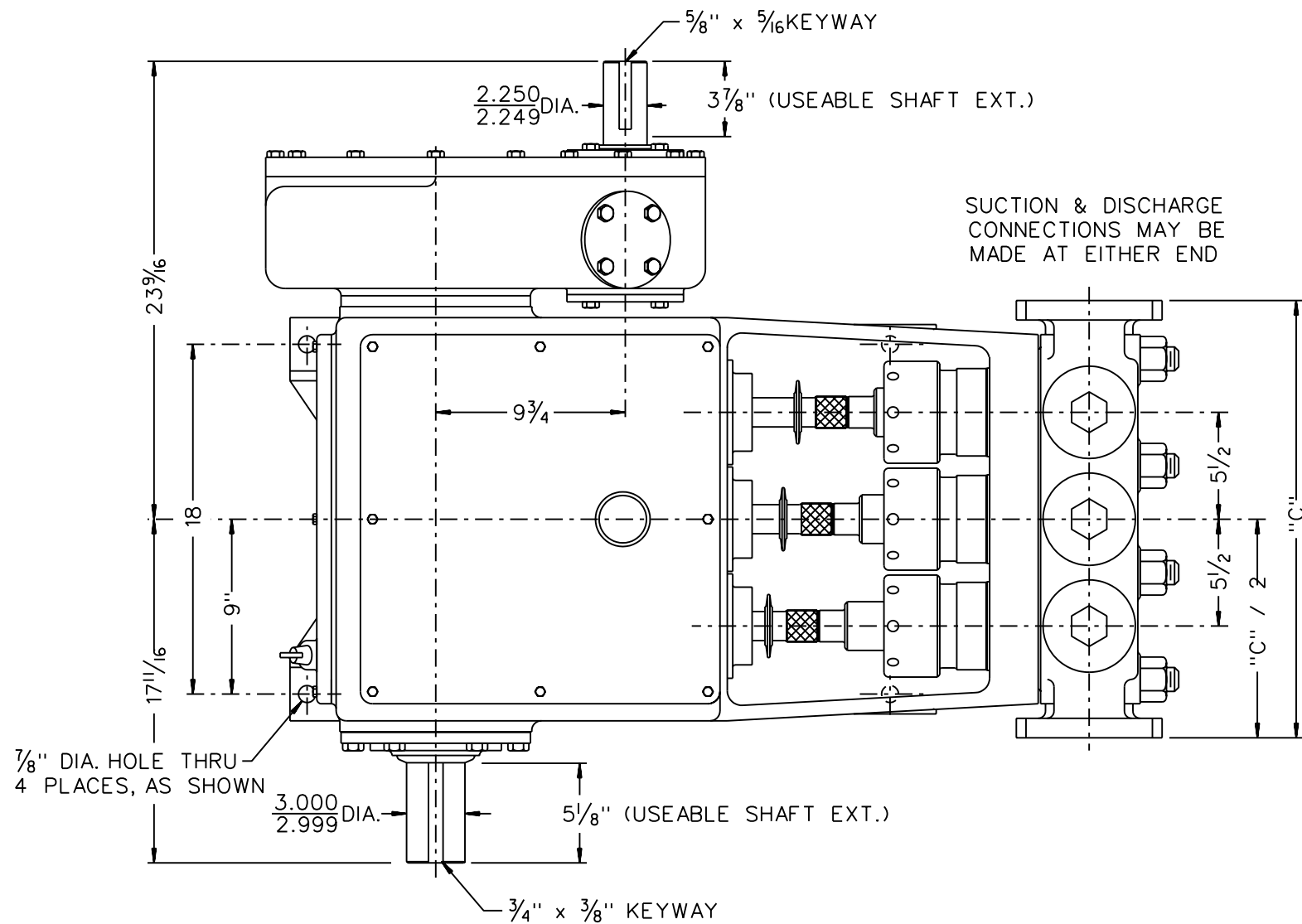
NATIONAL OILWELL VARCO

TITLE
OUTLINE DRAWING
60T-3 TRIPLEX PLUNGER PUMP
WITHOUT GEAR REDUCER

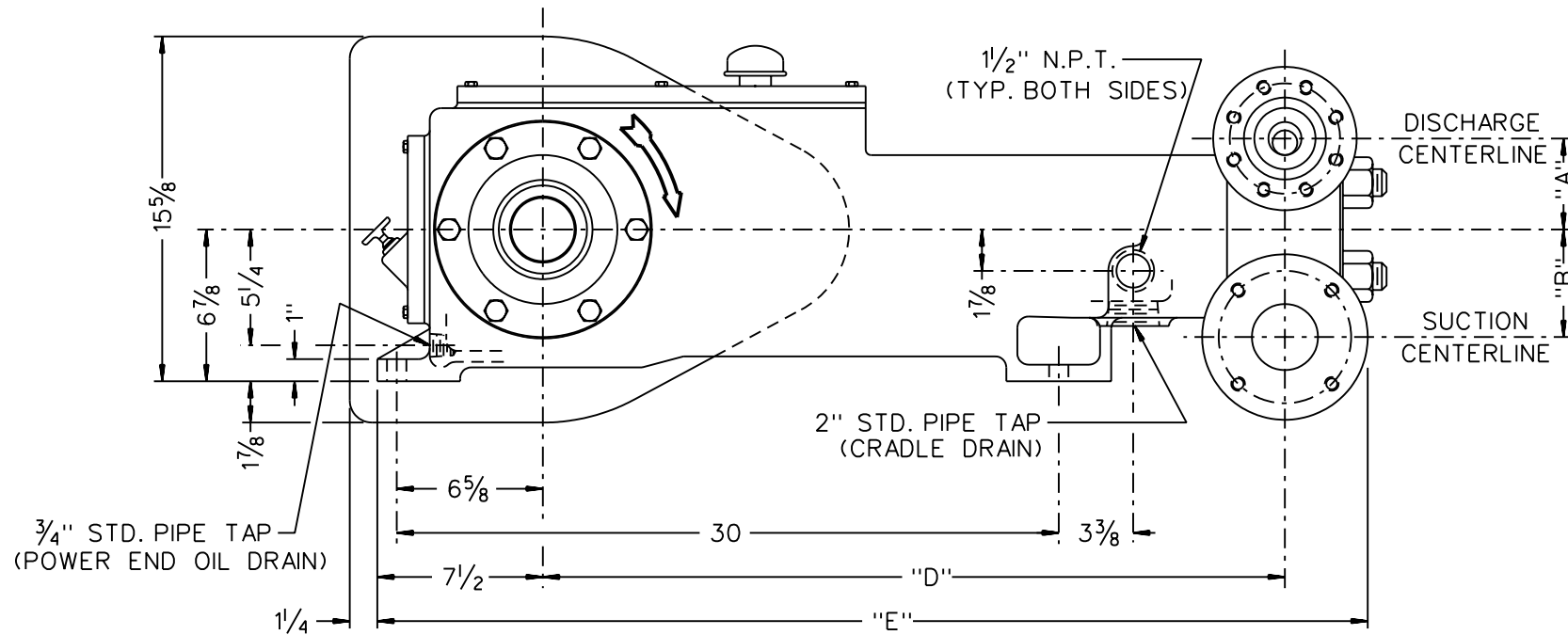
SIZE B REFERENCE No. DRAWING No. 1710690 REV

60T-3L MODEL IS SHOWN

SCALE 1/8 EST WT 1145# SHEET 1 OF 1



PUMP FOOTPRINT



PUMP TYPE	DISCHARGE CONNECTION	SUCTION CONNECTION	DIMENSIONS IN INCHES				
			A	B	C	D	E
60T-3L (FLANGED)	2" API-2000* R.J.	3" ANSI-150* F.F.	4 1/8	4 7/8	22 1/2	33 5/8	44 7/8
60T-3L (THREADED)	2" N.P.T.	3" N.P.T.	4 1/8	4 7/8	20 1/2	33 5/8	43 3/4
60T-3M	1 1/2" API-5000* R.J.	2 1/2" ANSI-150* F.F.	4	4 1/2	22 1/4	33 5/8	43 3/4
60T-3H	1 1/4" ANSI-2500* R.J.	2 1/2" ANSI-300* F.F.	4	4 1/2	22 5/8	33 5/8	44 7/8

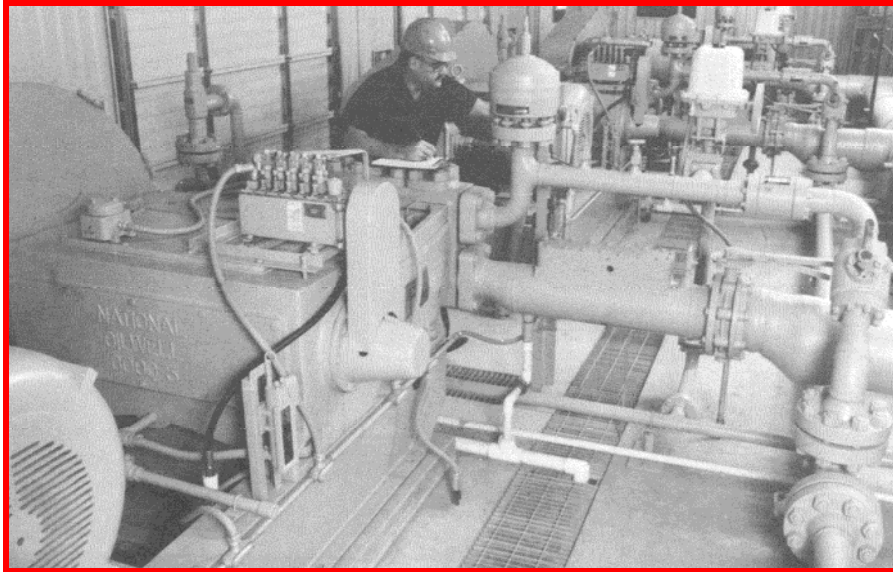
NOV NATIONAL OILWELL VARCO

TITLE
OUTLINE DRAWING
60T-3 TRIPLEX PLUNGER PUMP
WITH GEAR REDUCER

SIZE B REFERENCE No. DRAWING No. 1710691 REV

60T-3L MODEL IS SHOWN SCALE 1/8 EST WT 1460* SHEET 1 OF 1

NATIONAL OILWELL VARCO



With over 120 locations worldwide, National Oilwell Varco is located near you. To find the nearest Distribution Service Center, machinery center or repair facility, please give us a call at our main office listed below.

Or you can access our website at the URL listed below, where you may search by location or country.

<http://www.nov.com/contactus/>

Sales/Technical Information:
USA Tollfree: 1 (800) 324-4706

Internet: <http://www.nov.com>

National Oilwell Varco is a leading manufacturer of reciprocating plunger pumps, Mission Fluid King centrifugal pumps, and fluid end replacement parts. We also offer a complete set of solutions to your fluid transfer challenges. For more Information, contact National Oilwell Varco directly at the Headquarters in Houston, Texas. All National Oilwell Varco products are available throughout the U.S. and around the world from service centers, authorized distributors, and representatives.

© Copyright 1999 by National Oilwell, L.P. All Rights Reserved. NATIONAL OILWELL, NATIONAL, and OILWELL are registered trademarks of NATIONAL OILWELL, L.P. Houston, Texas, USA. All other trademarks used are registered to their respective companies. The information and data in this brochure, including but not limited to pictures, photographs, charts, diagrams, drawings, lists, written comments, and specifications, are accurate to the best of our knowledge and belief, but are intended for general information only. Applications suggested for the materials and other information are described only to help readers make their own evaluations and decisions, and are neither guarantees nor are they to be construed as express or implied warranties of suitability for these or other applications. National Oilwell makes no warranty, either express or implied, beyond that stipulated in National Oilwell's Standard Terms and Conditions of Sale which are available upon request.