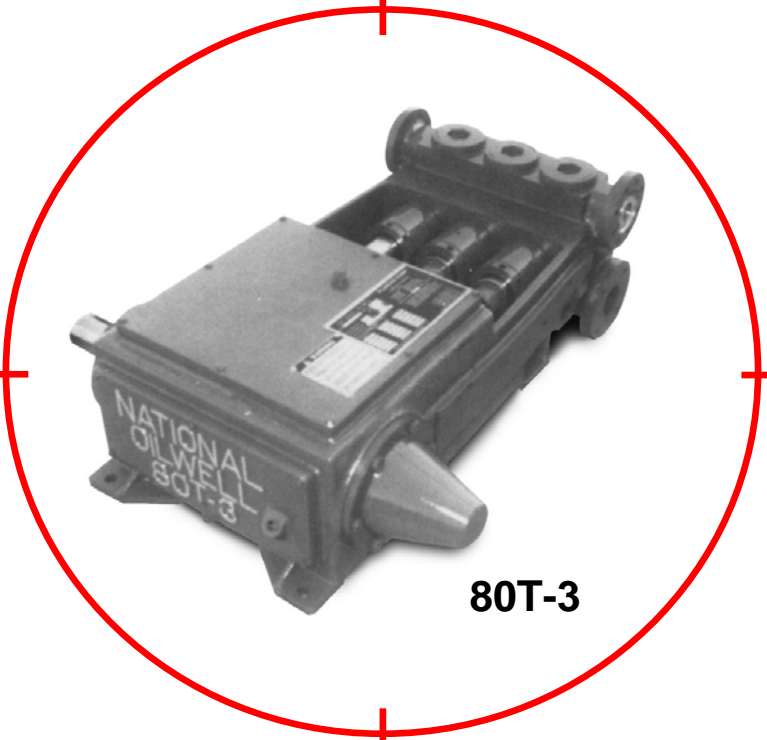
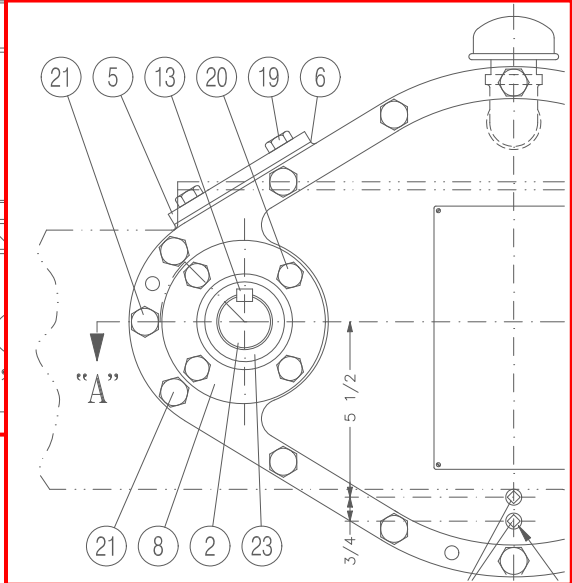
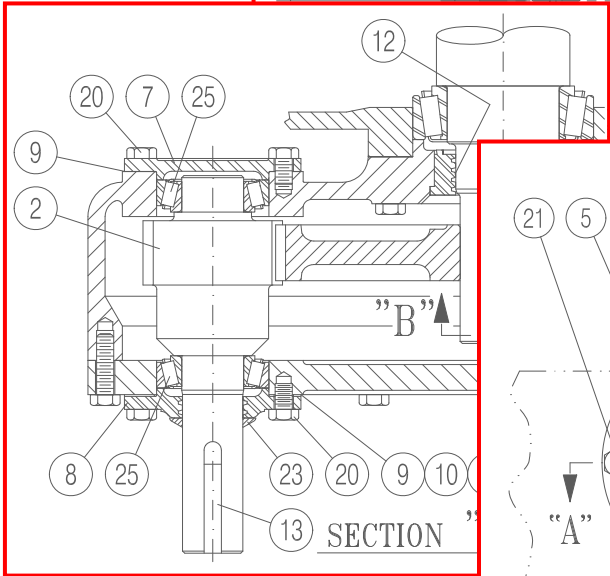
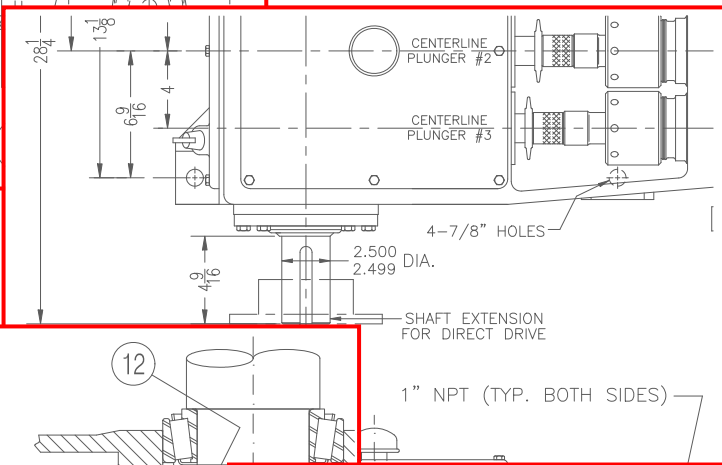
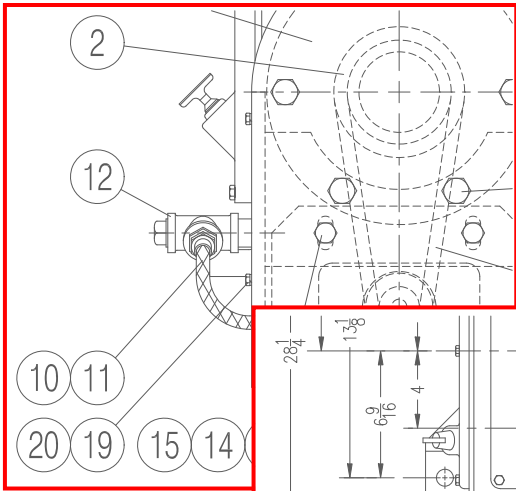


80T-3 Triplex Plunger Pump

Parts List

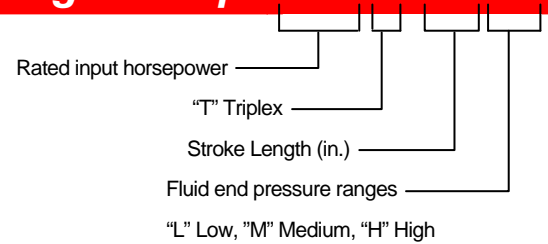


80T-3



Types:
80T-3L
80T-3M
80T-3H

Sales / Technical Information
USA Tollfree: 1 (800) 324-4706
Phone: 1 (918) 447-4600
Fax: 1 (918) 447-4677
Internet: <http://www.nov.com>

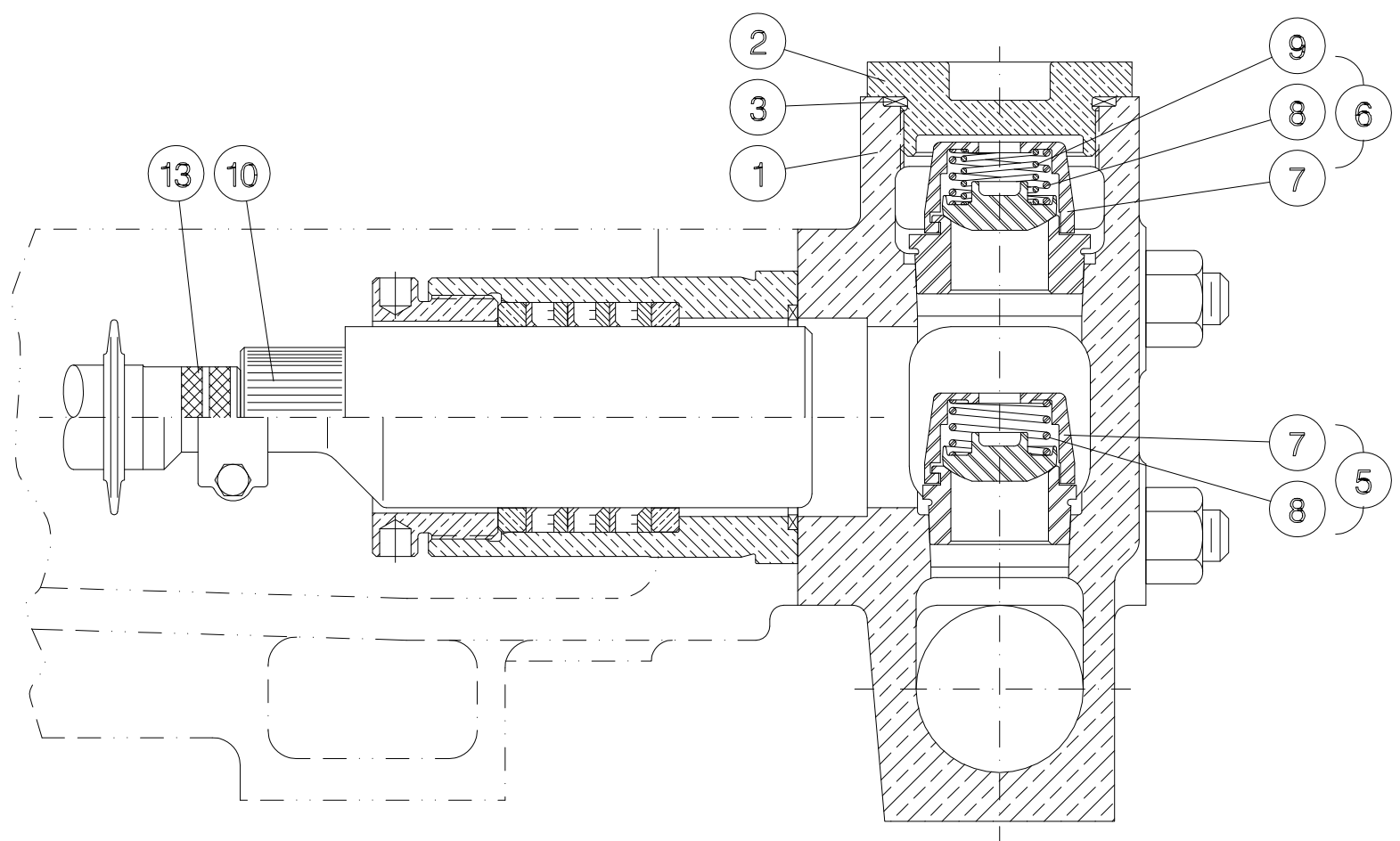


Index and Check List:

PAGE	DWG. NUMBER	DESCRIPTION	SERIES OF ISSUE	DATE OF ISSUE
1	171066980	ASSEMBLY, FLUID END, 80T-3L - (THREADED- ALUM. BRZ.)	SECOND	8-21-07
2	171067080	ASSEMBLY, FLUID END, 80T-3L - (FLANGED- ALUM. BRZ.)	SECOND	8-21-07
3	171067180	ASSEMBLY, FLUID END, 80T-3M - ALUM. BRZ.	FOURTH	8-21-07
4	171067280	ASSEMBLY, FLUID END, 80T-3H - ALUM. BRZ.	FOURTH	8-21-07
5	171067380	POWER END ASSEMBLY	THIRD	6-6-05
6	171067480	CRANKSHAFT ASSEMBLY	SECOND	6-7-05
7	171067580	SEVERE DUTY VALVE ASSEMBLY	SECOND	8-21-07
8	171067680	CAGE VALVE SERVICE – S.S. PLATE, BOTTOM GUIDED, AND BALL AND SEAT	FIRST	12-15-96
9	171067780	VALVE SERVICE KITS – SPHERICAL SEAT TAPERED SEAT	SECOND	8-21-07
10	171067880	VALVE SERVICE KITS – NOV TAPERED SEAT AND CAGE TYPE	FIRST	12-15-96
11	171067980	GEAR REDUCER ASSEMBLY (ALL RATIOS)	FIRST	12-15-96
12	171068080	PLUNGER KIT ASSEMBLY, 80T-3L, 3M	SECOND	5-17-05
13	171068180	PLUNGER KIT ASSEMBLY, 80T-3M, 3H	SECOND	3-23-07
14	171068280	PLUNGER KIT ASSEMBLY, S.S. W/ KEVLAR PACKING 80T-3L, 3M	THIRD	2-26-07
15	171068380	PLUNGER KIT ASSEMBLY, S.S. W/ KEVLAR PACKING 80T-3H	SECOND	2-23-07
16	171068480	PLUNGER / INTERMEDIATE ROD ASSY., DBL. TAPERED CLAMP	FIRST	12-15-96
17	171068580	PLUNGER / INTERMEDIATE ROD ASSY., THREADED PLUNGER	FIRST	12-15-96
18	171068680	LUBRICATOR ASSY. PIPING, 3-FEED R.H. / L.H.	FIRST	12-15-96
19	171068780	OPTIONAL ACCESSORIES	FIRST	12-15-96
20	171068880	LOW PRESSURE PLASTIC BODY, IN-LINE SUCTION DAMPENER	FIRST	12-15-96
21	171068980	80T-3 AUXILIARY LUBE SYSTEM – SLOW SPEED	FIRST	12-15-96
22	171069080	OUTLINE DRAWING 80T-3 W/O GEAR REDUCER	FIRST	12-15-96
23	171069180	OUTLINE DRAWING 80T-3 W/ GEAR REDUCER	FIRST	12-15-96

Revisions effective August 21, 2007 – updated logo; drawing number 171067580 was Durable Tapered Seat; revised pages 1 thru 4, 9, and pages 13-15.

LTR	DESCRIPTION OF CHANGE	MADE	CHKD	DATE	APPROVED	M NO
A	REMOVED DURABLE VALVES	MTH	RPQ	8.21.07		
A1	REMOVED INDIVIDUAL VALVE AND SEAT PART NUMBERS	MTH	RPQ	8.21.07		



	3	SEE PAGES 16 & 17	80T INT. ROD SCREW OR CLAMP TYPE	13
⊗	2	#501	CAPLUG	12
⊗	2	#24-S	CAPLUG	11
	3	SEE PAGES 12, 13, 14 & 15	STD. PLUNGER KIT SELECTION	10
	1	1792526	SPRING, INNER	9
	1	1792525	SPRING, OUTER	8
	1	1792524-6	RETAINER, SPRING	7
	3	1792522-25	VALVE CPT., SPHERICAL DISCH.	6
	3	1792520-25	VALVE CPT., SPHERICAL SUCT. INCL.	5
*	1	1710270	BAR, STUFFING BOX ADJUSTING NUT	4
	3	2410031343	PACKING, TOP COVER	3
	3	1710073	COVER, CYLINDER TOP	2
	1	171015814-80	CYLINDER ONLY, FLUID	1
QTY. REQ'D	PART NUMBERS		MATERIAL/SPECIFICATION	ITEM NO.
	171015714-80S (NI ALUM BRZ) ASSY. WITH SPHERICAL VALVES		* ITEM NOT SHOWN FOR CLAIRITY ⊗ FOR SHIPPING PURPOSES ONLY	

LIST OF MATERIAL

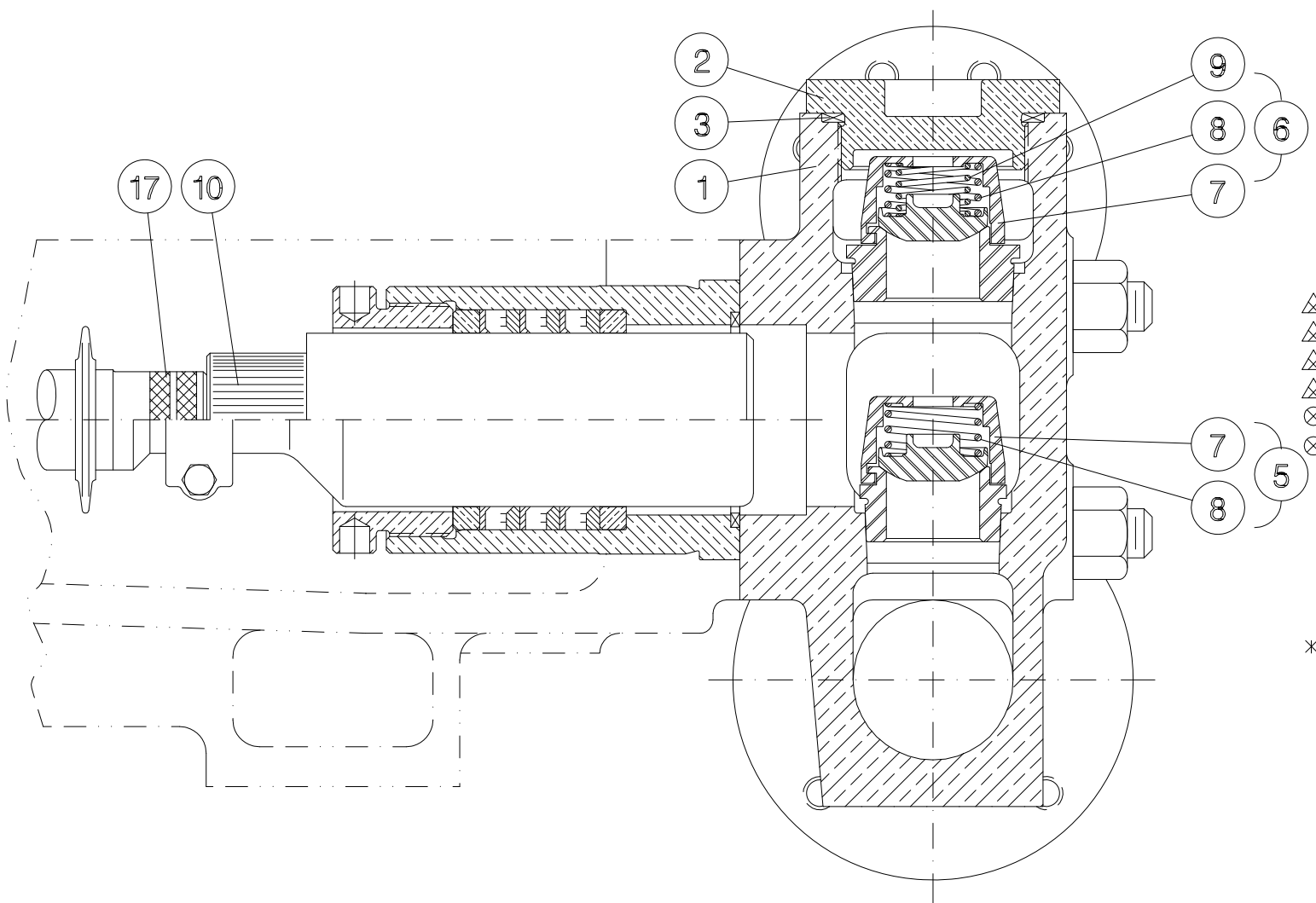
SEE PAGE 7 FOR SEVERE DUTY VALVE ASSEMBLY



TITLE
 FLUID END ASSY. (THREADED)
 SHOWN WITH 3 1/4" & 3 3/8" PLUNGER ONLY
 80T-3L TRIPLEX PLUNGER PUMP

SIZE	REFERENCE No.	DRAWING No.	REV
B		1710669-80	A
SCALE	1 / 3	EST WT	SHEET 1 OF 1

LTR	DESCRIPTION OF CHANGE	MADE	CHKD	DATE	APPROVED	M NO
A	REMOVED DURABLE VALVES	MTH	RPQ	8.21.07		
A1	REMOVED INDIVIDUAL VALVE AND SEAT PART NUMBERS	MTH	RPQ	8.21.07		



3	SEE PAGES 16 & 17	80T INT. ROD SCREW OR CLAMP TYPE	17	
△	16	700039911	CAPSCREW, 5/8-11 x 2 1/2" LG. HEX HD. - DISCH. CONN.	16
△	8	700039711	CAPSCREW, 5/8-11 x 2" LG. HEX HD. - SUCT. CONN.	15
△	2	6908011	RING, OVAL JOINT R-23	14
△	2	6010019	GASKET, 3" FLAT RING	13
⊗	2	*19	CAPLUG	12
⊗	2	*55-A	CAPLUG	11
	3	SEE PAGES 12, 13, 14 & 15	STD. PLUNGER KIT SELECTION	10
	1	1792526	SPRING, INNER	9
	1	1792525	SPRING, OUTER	8
	1	1792524-6	RETAINER, SPRING	7
	3	1792522-25	VALVE CPT., SPHERICAL DISCH.	6
	3	1792520-25	VALVE CPT., SPHERICAL SUCT.	5
*	1	1710270	BAR, STUFFING BOX ADJUSTING NUT	4
	3	2410031343	PACKING, TOP COVER	3
	3	1710073	COVER, CYLINDER TOP	2
	1	1710414-1480	CYLINDER ONLY, FLUID	1
QTY REQ'D	PART NUMBERS	MATERIAL/SPECIFICATION	ITEM NO.	

* ITEM NOT SHOWN FOR CLAIRITY
⊗ FOR SHIPPING PURPOSES ONLY
△ SHIPPED SEPERATELY

LIST OF MATERIAL

SEE PAGE 7 FOR SEVERE DUTY VALVE ASSEMBLY



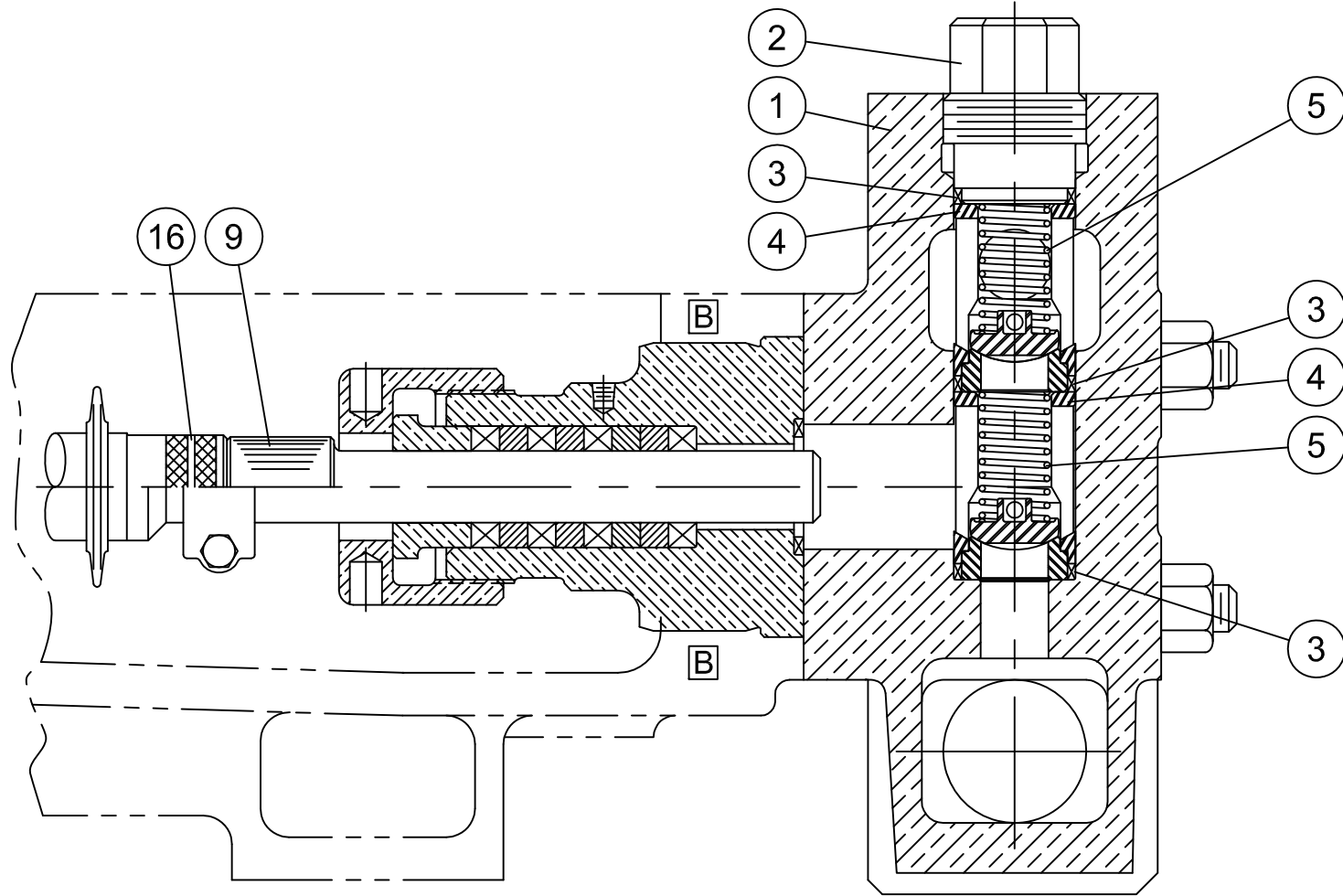
TITLE
FLUID END ASSY. (FLANGED)
SHOWN WITH 3/4" & 3 3/8" PLUNGER ONLY
80T-3L TRIPLEX PLUNGER PUMP

SIZE	REFERENCE No.	DRAWING No.	REV
B		1710670-80	A

SCALE	EST WT	SHEET
1 / 3		1 OF 1

2

LTR	DESCRIPTION OF CHANGE	MADE	CHKD	DATE	APPROVED	M NO
B	REMOVED STUFFING BOX BUSHING	DCP	RPQ	2.23.07		
C	REMOVED DURABLA VALVES	MTH	RPQ	8.21.07		
C1	REMOVED INDIVIDUAL VALVE AND SEAT PART NUMBERS	MTH	RPQ	8.21.07		



3	SEE PAGES 16 & 17	80T INT. ROD SCREW OR CLAMP TYPE	16	
△	8	700052510	SCREW, 1" x 2 3/4" HEX HD. CAP - DISCH. CONN.	15
△	8	700039711	SCREW, 5/8" x 2 HEX HD. CAP - SUCT. CONN.	14
△	2	6908004	RING, OVAL JOINT R-20	13
△	2	6010016	GASKET, 2 1/2" FLAT RING	12
⊗	2	#250	CAPLUG	11
⊗	2	#17	CAPLUG	10
	3	SEE PAGES 12, 13, 14 & 15	STD. PLUNGER KIT SELECTION	9
*	1	1710270	BAR, STUFFING BOX ADJUSTMENT NUT	8
	6	1711500-25	VALVE COMPLETE, BG CAGE	7
	6	1711450-25	VALVE COMPLETE, SPHERICAL	6
	6	1709033	SPRING, BALL VALVE	5
	6	17094276	CAGE, VALVE	4
	9	1711112	SEAL, VALVE CAGE	3
	3	1709073	COVER, CYLINDER TOP	2
	1	1710377-1480	CYLINDER ONLY, FLUID	1
QTY REQ'D	PART NUMBERS	MATERIAL/SPECIFICATION	ITEM No.	
	1710376-1480S (NI ALUM BRZ) ASSY. WITH SPHERICAL VALVES	* ITEM NOT SHOWN FOR CLAIRITY ⊗ FOR SHIPPING PURPOSES ONLY △ SHIPPED SEPERATELY		

LIST OF MATERIAL

SEE PAGE 7 FOR SEVERE DUTY VALVE ASSEMBLY

NOV NATIONAL OILWELL VARCO

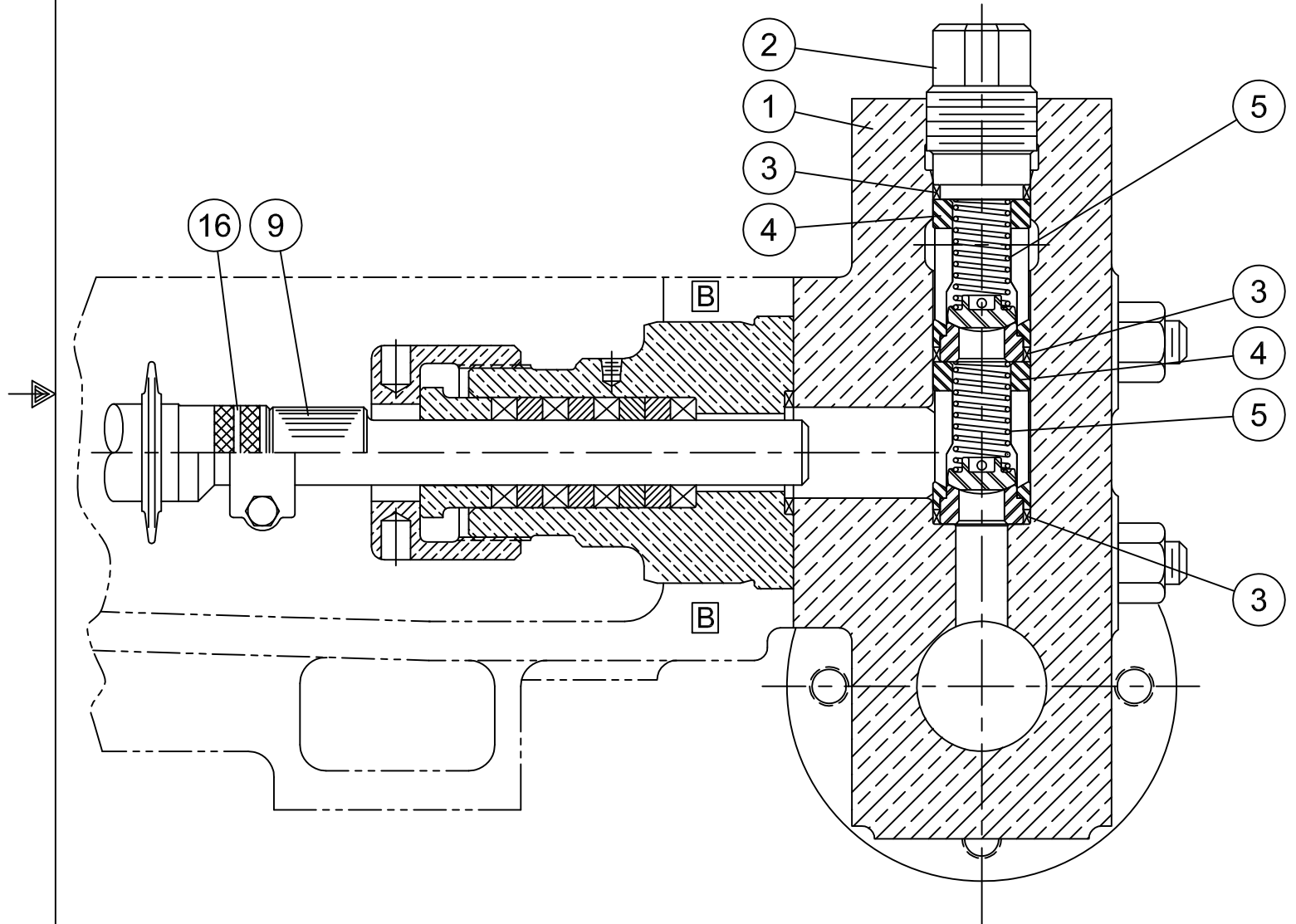
HOUSTON, TEXAS U.S.A. ENGINEERING, McALESTER, OKLAHOMA

TITLE
**FLUID END ASSEMBLY
80T-3M TRIPLEX PLUNGER PUMP**

SIZE B	REFERENCE No.	DRAWING No. 1710671-80	REV C
SCALE N.T.S.	EST WT	SHEET 1 OF 1	

3

LTR	DESCRIPTION OF CHANGE	MADE	CHKD	DATE	APPROVED	M NO
B	REMOVED STUFFING BOX BUSHING	DCP	RPQ	2.23.07		
C	REMOVED DURABLA VALVES	MTH	RPQ	8.21.07		
C1	REMOVED INDIVIDUAL VALVE AND SEAT PART NUMBERS	MTH	RPQ	8.21.07		



	3	SEE PAGES 16 & 17	80T INT. ROD SCREW OR CLAMP TYPE	16
△	8	700052810	SCREW, 1" x 3 1/2" HEX HD. CAP - DISCH. CONN.	15
△	8	700044011	SCREW, 3/4" x 2" HEX HD. CAP - SUCT. CONN.	14
△	2	6908008	RING, OVAL JOINT R-21	13
△	2	6010015	GASKET, 2 1/2" FLAT RING	12
⊗	2	#250	CAPLUG	11
⊗	2	#17	CAPLUG	10
	3	SEE PAGES 12, 13, 14 & 15	STD. PLUNGER KIT SELECTION	9
*	1	1710270	BAR, STUFFING BOX ADJUSTMENT NUT	8
	6	1710500-25	VALVE COMPLETE, BG CAGE	7
	6	1710510-25	VALVE COMPLETE, SPHERICAL	6
	6	1710326	SPRING, BALL VALVE	5
	6	17103356	CAGE, VALVE	4
	9	1710112	SEAL, VALVE CAGE	3
	3	1710144	COVER, CYLINDER TOP	2
	1	171006214	CYLINDER ONLY, FLUID	1
QTY REQ'D	PART NUMBERS	MATERIAL/SPECIFICATION	ITEM No.	
	1710376-1480S (NI ALUM BRZ) ASSY. WITH SPHERICAL VALVES	* ITEM NOT SHOWN FOR CLAIRITY ⊗ FOR SHIPPING PURPOSES ONLY △ SHIPPED SEPERATELY		

LIST OF MATERIAL

4

SEE PAGE 7 FOR SEVERE DUTY VALVE ASSEMBLY

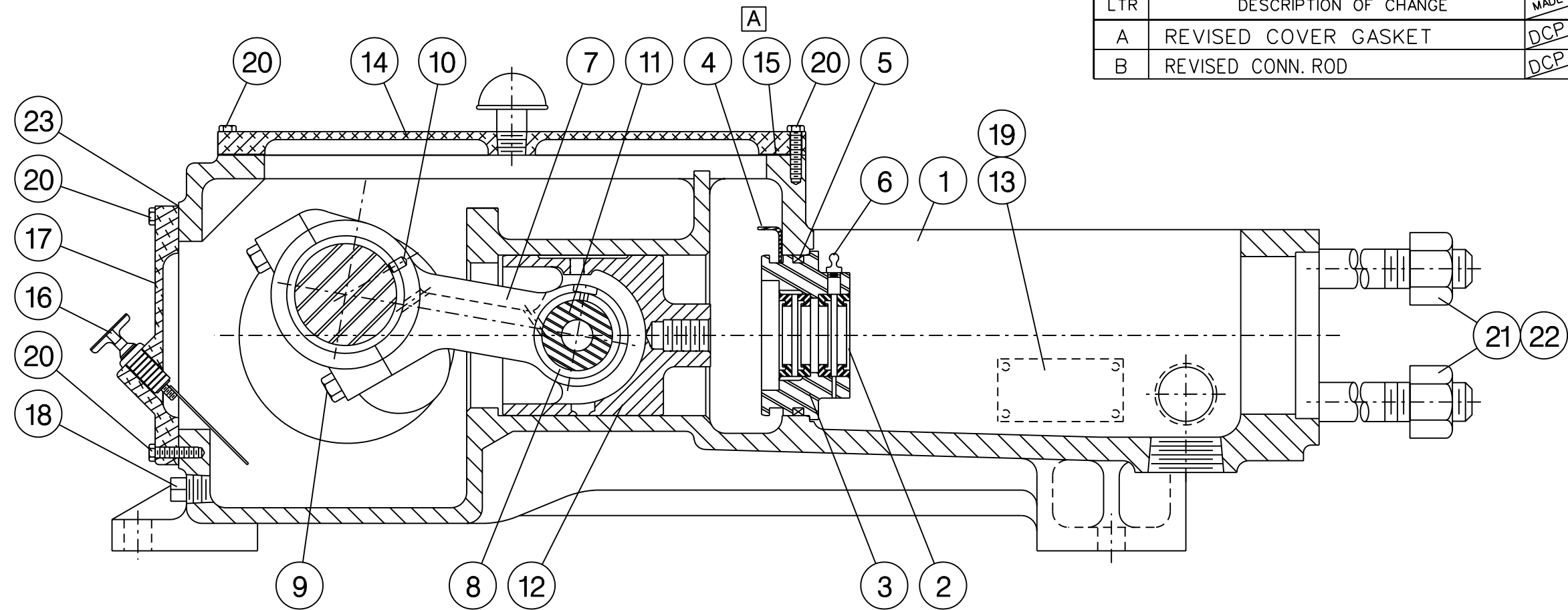
NOV NATIONAL OILWELL VARCO

HOUSTON, TEXAS U.S.A. ENGINEERING, MCALESTER, OKLAHOMA

TITLE
**FLUID END ASSEMBLY
80T-3H TRIPLEX PLUNGER PUMP**

SIZE B	REFERENCE No.	DRAWING No. 1710672-80	REV C
SCALE N.T.S.	EST WT	SHEET 1 OF 1	

LTR	DESCRIPTION OF CHANGE	MADE	CHKD	DATE	APPROVED
A	REVISED COVER GASKET	DCP	RPQ	10-17-00	JCA
B	REVISED CONN. ROD	DCP	RPQ	6.06.05	JCA



5

	1	1710367	GASKET, REAR COVER PLATE	23
	8	6300200	NUT, 1/4-7 HVY. HEX	22
	8	49-011-821	STUD, 1/4-7 x 9 1/2" LG. ALLOY STL.	21
	14	7000158-11	CAPSCREW, 5/16-18 x 1/4" LG. HEX HD. CAD. PLT.	20
	4	7178025	SCREW, RD. HD. DRIVE TYPE U *2 x 1/4"	19
	1	6873006	PLUG, STD. SQ. HD. 3/4"	18
	1	1710015-80	PLATE, REAR COVER	17
	1	2400054	GAUGE, DIPSTICK OIL	16
A	1	1710398	GASKET, TOP COVER	15
	1	1710014	PLATE, POWER END TOP	14
	1	G2407274	PLATE, WARNING	13
	3	1710005	CROSSHEAD	12
	3	1710008	PIN, CROSSHEAD	11
	1	6510504	PIN, DOWEL	10
B	2	G1710516	BOLT, CONNECTING ROD	9
	1	G1710403	BUSHING, CROSSHEAD PIN	8
B	3	G1710514	ROD CPT., CONNECTING (INCL. ITEMS 8, 9 & 10)	7
	3	7805052	FITTING, ALEMITE 1/8"	6
	3	2410031-426	SEAL, INT. ROD WIPER	5
	3	G1710519	CLIP, RETAINER - INT. ROD	4
	3	G1710518	RETAINER, INT. ROD WIPER	3
	12	7822036	WIPER, INT. ROD	2
	1	1710001-80	FRAME ONLY, 80T	1
QTY REQ'D	PART NO.	DESCRIPTION	ITEM NO.	

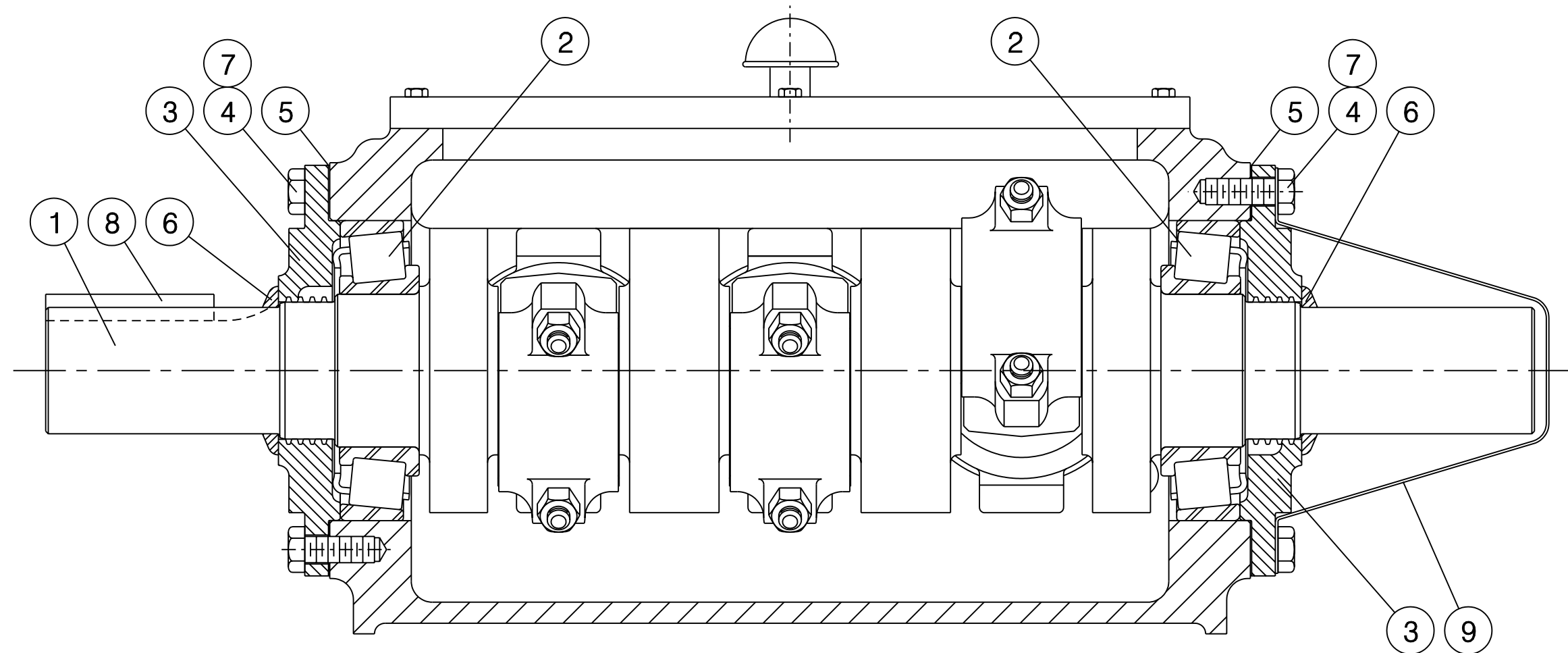
NOV NATIONAL OILWELL VARCO

POWER END ASSEMBLY
80T-3 PLUNGER PUMP

SIZE	REFERENCE No.	DRAWING No.	REV
B		1710673-80	B
SCALE	EST WT	SHEET 1 OF 1	
NONE			

LIST OF MATERIAL

LTR	DESCRIPTION OF CHANGE	MADE	CHKD	DATE	APPROVED
A	UPDATED CRANKSHAFT VIEW	DCP	RPQ	6.07.05	JCA



**	1	1710129	COVER, CRANKSHAFT EXT. (SLOTTED - LUBRICATOR)	9
**	1	1710128	COVER, CRANKSHAFT EXT. (SOLID)	9
*	1	2401710	KEY, CRANKSHAFT 3/4" x 3/4" x 4" LG.	8
	6 FT.	59-800-016	WIRE, #16 GA. ANNEALED	7
	2	7804040	EXCLUDER, DIRT	6
	6	1713627	SHIM, .007 BRG. RETAINER	5
	6	1713625	SHIM, .005 BRG. RETAINER	
	2	1713620	SHIM, .020 BRG. RETAINER	
	12	2400680	CAPSCREW, 5/8-11 x 1 1/2" LG. DRLD. HD. HEX	4
	2	1710011	RETAINER, CRANKSHAFT BEARING	3
	2	ZT-3621	BEARING, TIMKEN	2
	1	G1710002	CRANKSHAFT	1
QTY REQ'D	PART NO.	DESCRIPTION / MATERIAL / SPECIFICATION		ITEM NO.

* FURNISHED ONLY WHEN NO ACCESSORY DRIVES ARE REQUIRED

** OPTIONAL EQUIPMENT

NOV NATIONAL OILWELL VARCO

TITLE
CRANKSHAFT ASSEMBLY
80T-3 PLUNGER PUMP

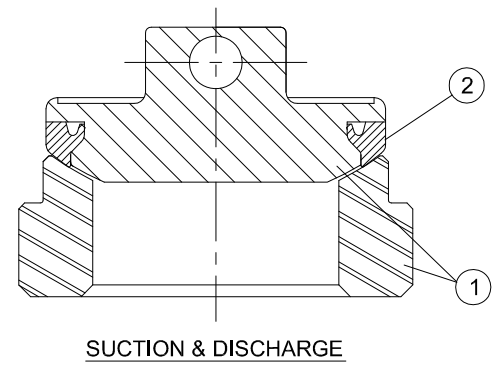
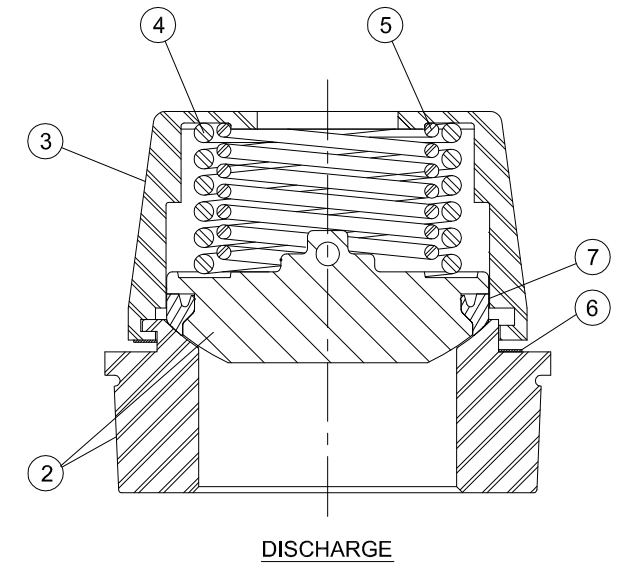
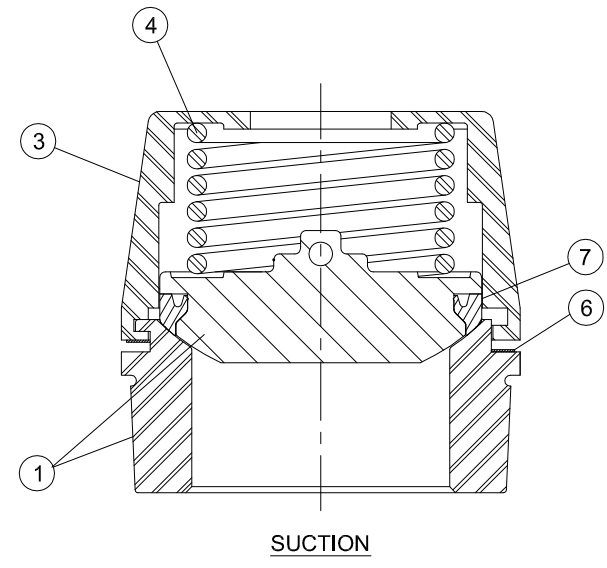
SIZE B REFERENCE No. DRAWING No. 1710674-80 REV A

SCALE 1/3 EST WT SHEET 1 OF 1

LIST OF MATERIAL

6

LTR	DESCRIPTION OF CHANGE	MADE	CHKD	DATE	APPROVED	M NO
A	WAS DURABLA TAPERED SEAT VALVE ASSY	WFL	RPQ	8.21.07		

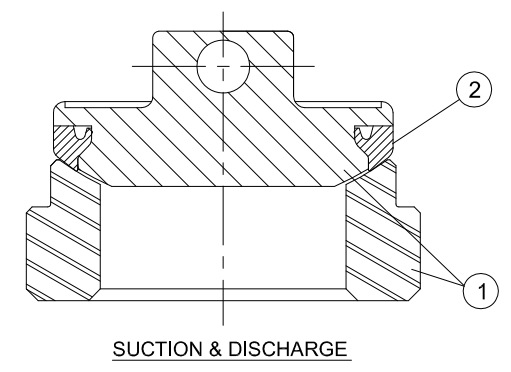


1	9707087	SEAL / INSERT	7
1	9707083	WAVE RING	6
1	1792526	SPRING, INNER	5
1	1792525	SPRING, OUTER	4
1	1792524-6W	RETAINER, SPRING	3
1	1792522-25SD	VALVE CPT., DISCHARGE - SEVERE DUTY	2
1	1792520-25SD	VALVE CPT., SUCTION - SEVERE DUTY	1
QTY REQD	PART No.	DESCRIPTION	ITEM No.

**80T-3L
TAPERED SEAT
SPHERICAL SD TYPE**

1	9707090	SEAL / INSERT	2
1	1711450-25SD	VALVE CPT., SUCTION & DISCHARGE - SEVERE DUTY	1
QTY REQD	PART No.	DESCRIPTION	ITEM No.

**80T-3M
CAGE TYPE
SPHERICAL SD TYPE**



1	9707092	SEAL / INSERT	2
1	1710510-25SD	VALVE CPT., SUCTION & DISCHARGE - SEVERE DUTY	1
QTY REQD	PART No.	DESCRIPTION	ITEM No.

**80T-3H
CAGE TYPE
SPHERICAL SD TYPE**

7

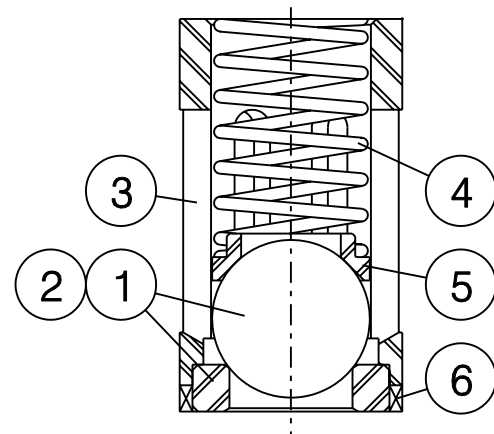
NOV NATIONAL OILWELL VARCO

HOUSTON, TEXAS U.S.A. ENGINEERING, McALESTER, OKLAHOMA

TITLE
SEVERE DUTY VALVE ASSY.
80T-3 TRIPLEX PLUNGER PUMP

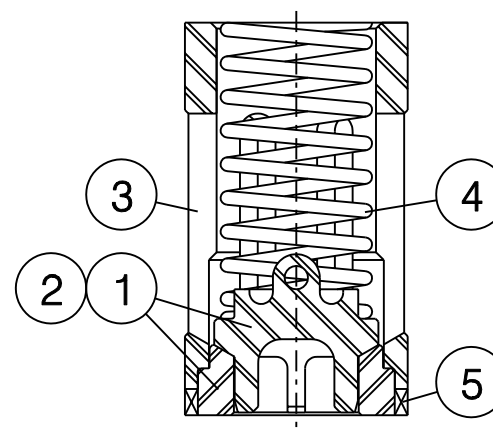
SIZE B	REFERENCE No.	DRAWING No. 171067580	REV A
SCALE	EST WT	SHEET 1 OF 1	

1	1711112	1710112	SEAL	6
1	1709025	1710105	RETAINER, SPRING	5
1	1709010	1710103	SPRING	4
1	1709007-6	1710101-6	CAGE	3
1	1711106	1710106	VALVE & SEAT (DISCHARGE)	2
1	1711106	1710106	VALVE & SEAT (SUCTION)	1
QTY REQ'D	PART NO. 80T-3M	PART NO. 80T-3H	DESCRIPTION	ITEM NO.
LIST OF MATERIAL				



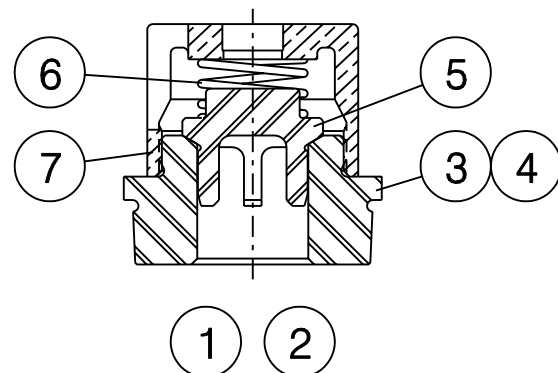
80T - 3M &
80T - 3H & 3PO
CAGE TYPE
BALL VALVE

1	1711112	1710112	SEAL	5
1	1709033	1710326	SPRING	4
1	1709427-6	1710335-6	CAGE	3
1	1711500-25	1710500-25	VALVE & SEAT (DISCHARGE)	2
1	1711500-25	1710500-25	VALVE & SEAT (SUCTION)	1
QTY REQ'D	PART NO. 80T-3M	PART NO. 80T-3H	DESCRIPTION	ITEM NO.
LIST OF MATERIAL				



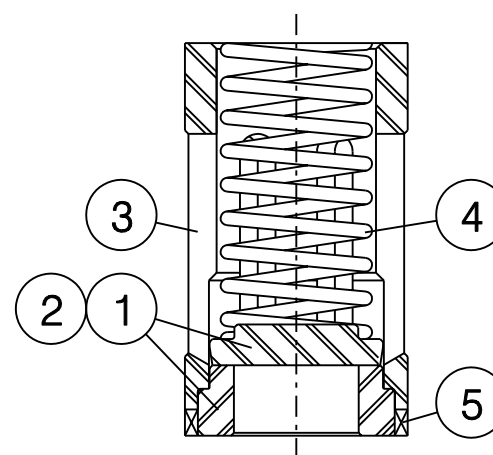
80T - 3MCA & 3HCA
BOTTOM GUIDED
CAGE TYPE VALVE

1	1792504-26	1792004-26	RETAINER, SPRING	7
1	1792505P	1792005P	SPRING	6
1	1790066	1711502	VALVE	5
1		1792003-4	SEAT, VALVE - DISCHARGE	4
1		1792001-4	SEAT, VALVE - SUCTION	
1	1792503-4		SEAT, VALVE - DISCHARGE	3
1	1792501-4		SEAT, VALVE - SUCTION	
1	1792502-4	1792002-4	VALVE CPT. - DISCHARGE	2
1	1792500-4	1792000-4	VALVE CPT. - SUCTION	1
QTY REQ'D	PART NO. 80T-3L	PART NO. 80T-3M	DESCRIPTION	ITEM NO.
LIST OF MATERIAL				



80T - 3L & 3M
BOTTOM GUIDED
TAPERED SEAT VALVE

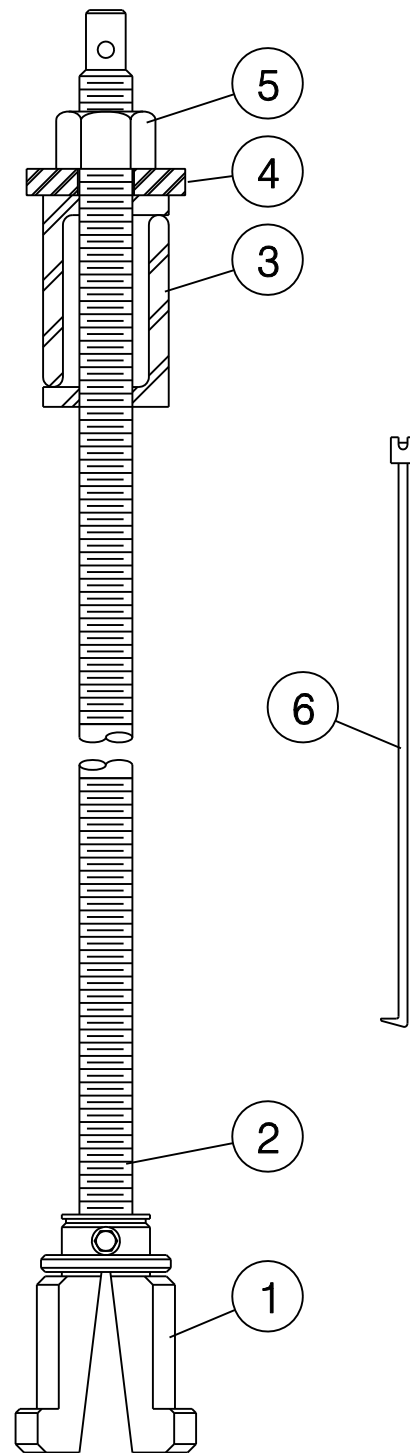
1	1711112	1710112	SEAL	5
1	1709033	1710326	SPRING	4
1	1709027-6	1710335-6	CAGE	3
1	1711332	1710332	VALVE & SEAT (DISCHARGE)	2
1	1711330	1710330	VALVE & SEAT (SUCTION)	1
QTY REQ'D	PART NO. 80T-3M	PART NO. 80T-3H	DESCRIPTION	ITEM NO.
LIST OF MATERIAL				



80T - 3MCA & 3HCA
CAGE TYPE
DISC VALVE

NOV NATIONAL OILWELL VARCO			
TITLE CAGE TYPE VALVE ASSEMBLY 80T-3 TRIPLEX PLUNGER PUMP			
SIZE B	REFERENCE No.	DRAWING No. 1710676-80	REV
SCALE 1/2	EST WT	SHEET 1 OF 1	

LTR	DESCRIPTION OF CHANGE	MADE	CHKD	DATE	APPROVED	M NO
A	REMOVED DURABLE VALVES	MTH	RPO	8.21.07		



SPHERICAL TAPERED SEAT VALVE KIT

80T - 3L			
ITEM NO.	PART NO.	DESCRIPTION	QTY. REQD.
	180104119	VALVE KIT COMPLETE	1
1	18259250	HEAD	1
2	20220159	STEM	1
3	181205709	SPACER	1
4	75518308	NUT, 1"-8	1
5	20220194	WASHER	1
6	1790034	RETRIEVER	1

9

NOV NATIONAL OILWELL VARCO

TITLE VALVE SERVICE KITS
80T-3 PLUNGER PUMP

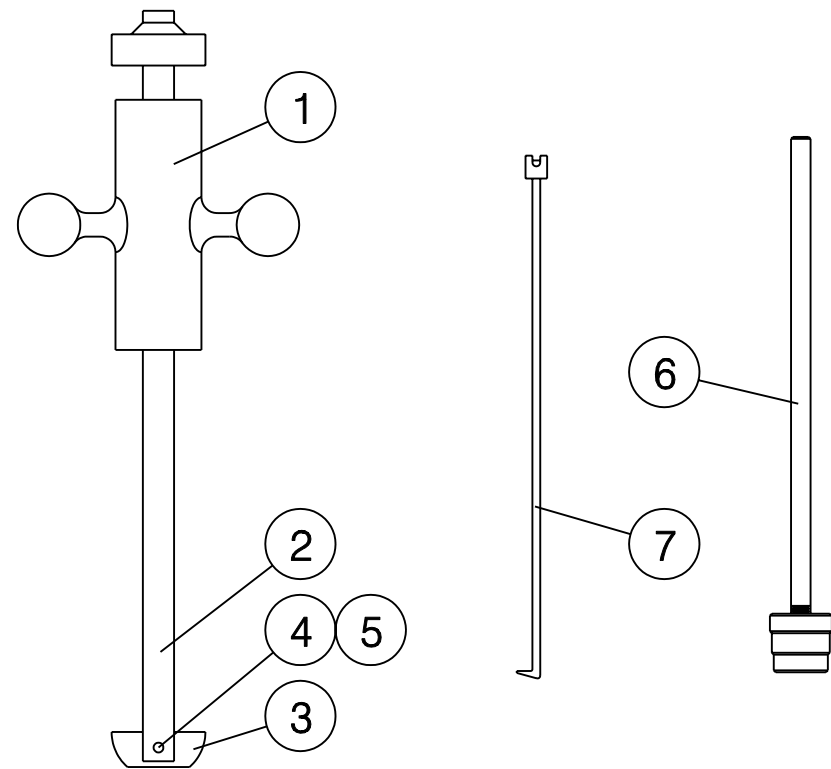
SIZE B	REFERENCE No.	DRAWING No. 1710677-80	REV A
SCALE 3/16	EST WT	SHEET 1 OF 1	

80T - 3MCA			
ITEM NO.	PART NO.	DESCRIPTION	QTY. REQD.
	1711251	VALVE KIT COMPLETE	1
	1711249	BAR CPT. (INCL. 1-5)	1
1	1790080	BUMPER	1
2	1710250	BAR	1
3	1711252	PLATE	1
4	6572016	PIN	1
5	6571216	PIN	1
6	1790041	DRIVER	1
7	1790034	RETRIEVER	1

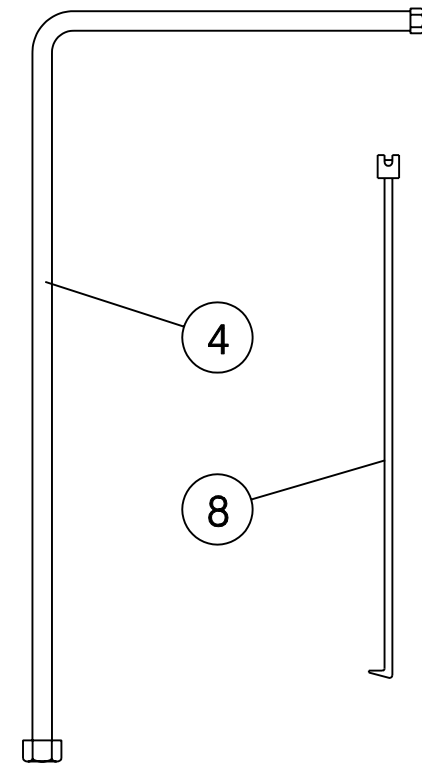
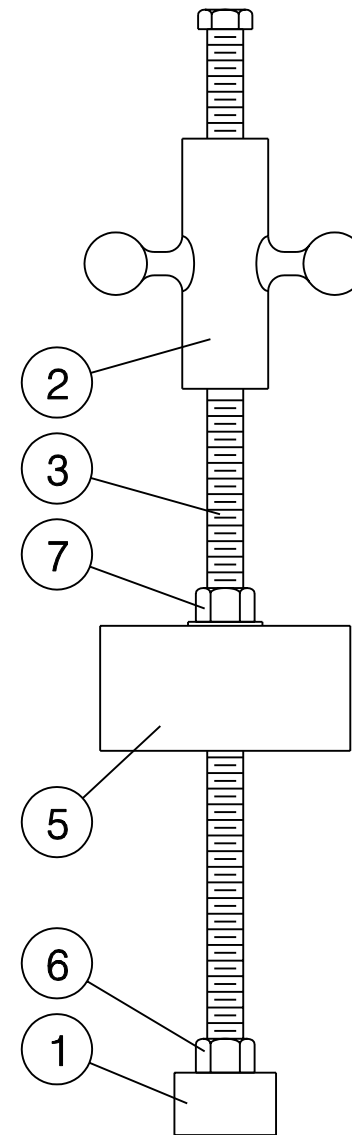
80T - 3HCA / 3PO			
ITEM NO.	PART NO.	DESCRIPTION	QTY. REQD.
	1710292	VALVE KIT COMPLETE	1
	1710249	BAR CPT. (INCL. 1-5)	1
1	1790080	BUMPER	1
2	1710250	BAR	1
3	1710252	PLATE	1
4	6572016	PIN	1
5	6571216	PIN	1
6	1790040	DRIVER	1
7	1790034	RETRIEVER	1

80T - 3L			
ITEM NO.	PART NO.	DESCRIPTION	QTY. REQD.
	1792507	VALVE KIT COMPLETE	1
1	1792506	HEAD	1
2	1790080	BUMPER	1
3	1790081	BAR	1
4	1790082	WRENCH	1
5	1713109	SUPPORT	1
6	6300160	NUT	1
7	6314002	NUT	1
8	1790034	RETRIEVER	1

80T - 3M			
ITEM NO.	PART NO.	DESCRIPTION	QTY. REQD.
	1792007	VALVE KIT COMPLETE	1
1	1792006	HEAD	1
2	1790080	BUMPER	1
3	1790081	BAR	1
4	1790082	WRENCH	1
5	1713109	SUPPORT	1
6	6300160	NUT	1
7	6314002	NUT	1
8	1790034	RETRIEVER	1



CAGE TYPE VALVE KIT
(SPHERICAL, BOTTOM GUIDED, DISC, OR BALL)



NATIONAL OILWELL TAPERED SEAT VALVE KIT

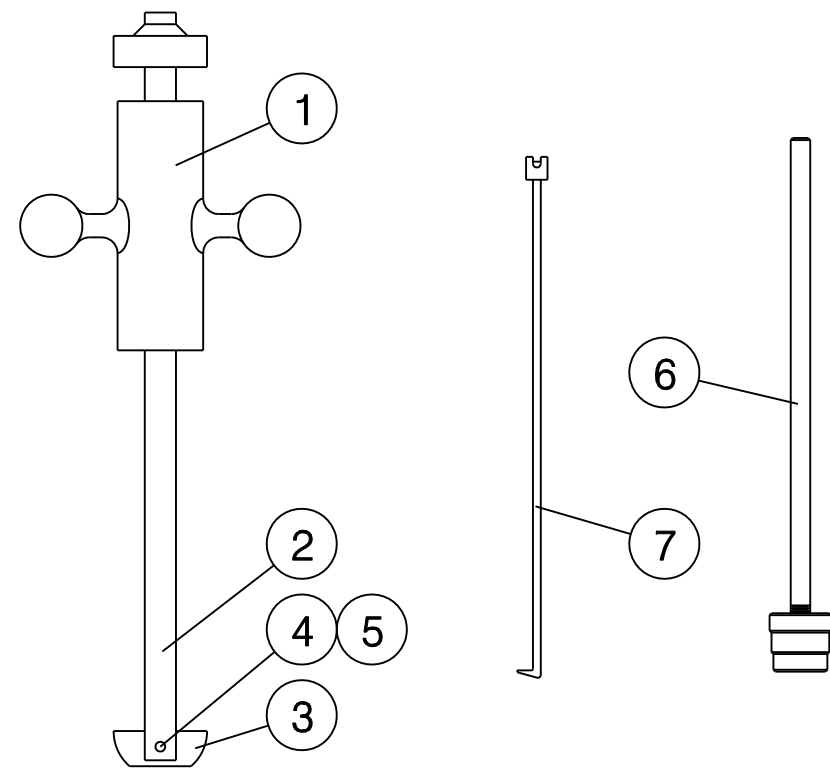
NOV NATIONAL OILWELL VARCO			
TITLE VALVE SERVICE KITS 80T-3 PLUNGER PUMP			
SIZE B	REFERENCE No.	DRAWING No. 1710678-80	REV
SCALE 1/6	EST WT	SHEET 1 OF 1	

80T - 3MCA			
ITEM NO.	PART NO.	DESCRIPTION	QTY. REQD.
	1711251	VALVE KIT COMPLETE	1
	1711249	BAR CPT. (INCL. 1-5)	1
1	1790080	BUMPER	1
2	1710250	BAR	1
3	1711252	PLATE	1
4	6572016	PIN	1
5	6571216	PIN	1
6	1790041	DRIVER	1
7	1790034	RETRIEVER	1

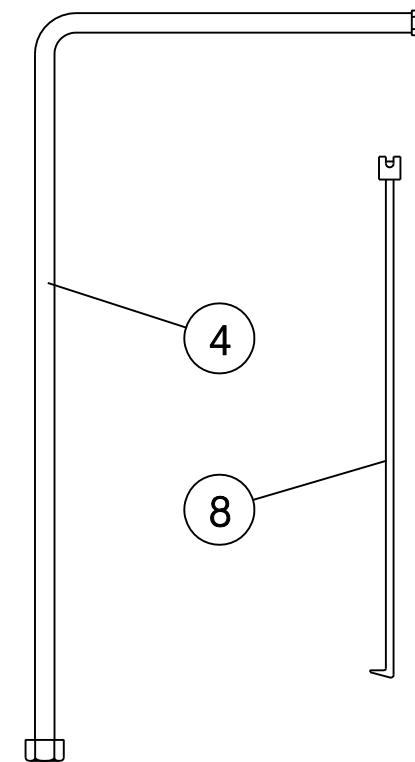
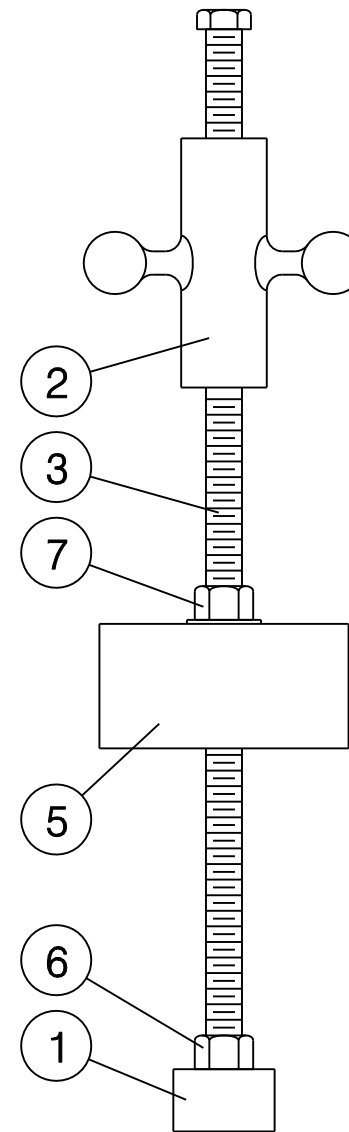
80T - 3HCA / 3PO			
ITEM NO.	PART NO.	DESCRIPTION	QTY. REQD.
	1710292	VALVE KIT COMPLETE	1
	1710249	BAR CPT. (INCL. 1-5)	1
1	1790080	BUMPER	1
2	1710250	BAR	1
3	1710252	PLATE	1
4	6572016	PIN	1
5	6571216	PIN	1
6	1790040	DRIVER	1
7	1790034	RETRIEVER	1

80T - 3L			
ITEM NO.	PART NO.	DESCRIPTION	QTY. REQD.
	1792507	VALVE KIT COMPLETE	1
1	1792506	HEAD	1
2	1790080	BUMPER	1
3	1790081	BAR	1
4	1790082	WRENCH	1
5	1713109	SUPPORT	1
6	6300160	NUT	1
7	6314002	NUT	1
8	1790034	RETRIEVER	1

80T - 3M			
ITEM NO.	PART NO.	DESCRIPTION	QTY. REQD.
	1792007	VALVE KIT COMPLETE	1
1	1792006	HEAD	1
2	1790080	BUMPER	1
3	1790081	BAR	1
4	1790082	WRENCH	1
5	1713109	SUPPORT	1
6	6300160	NUT	1
7	6314002	NUT	1
8	1790034	RETRIEVER	1

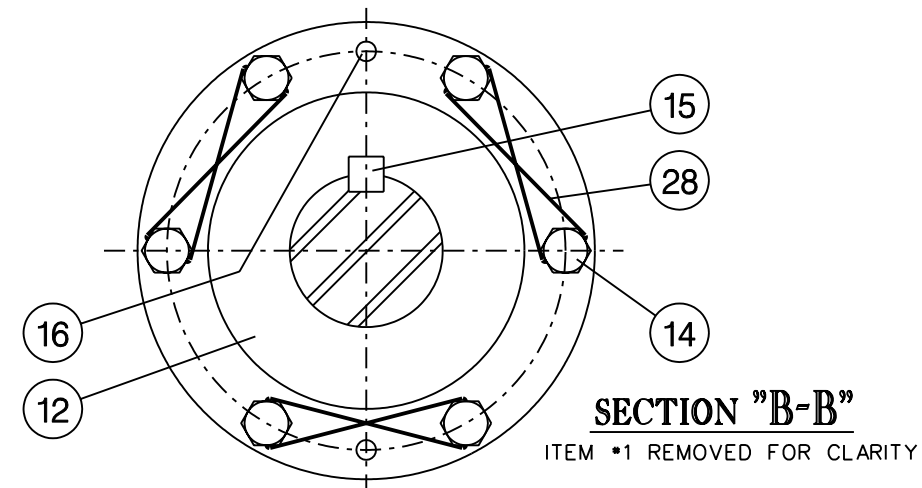
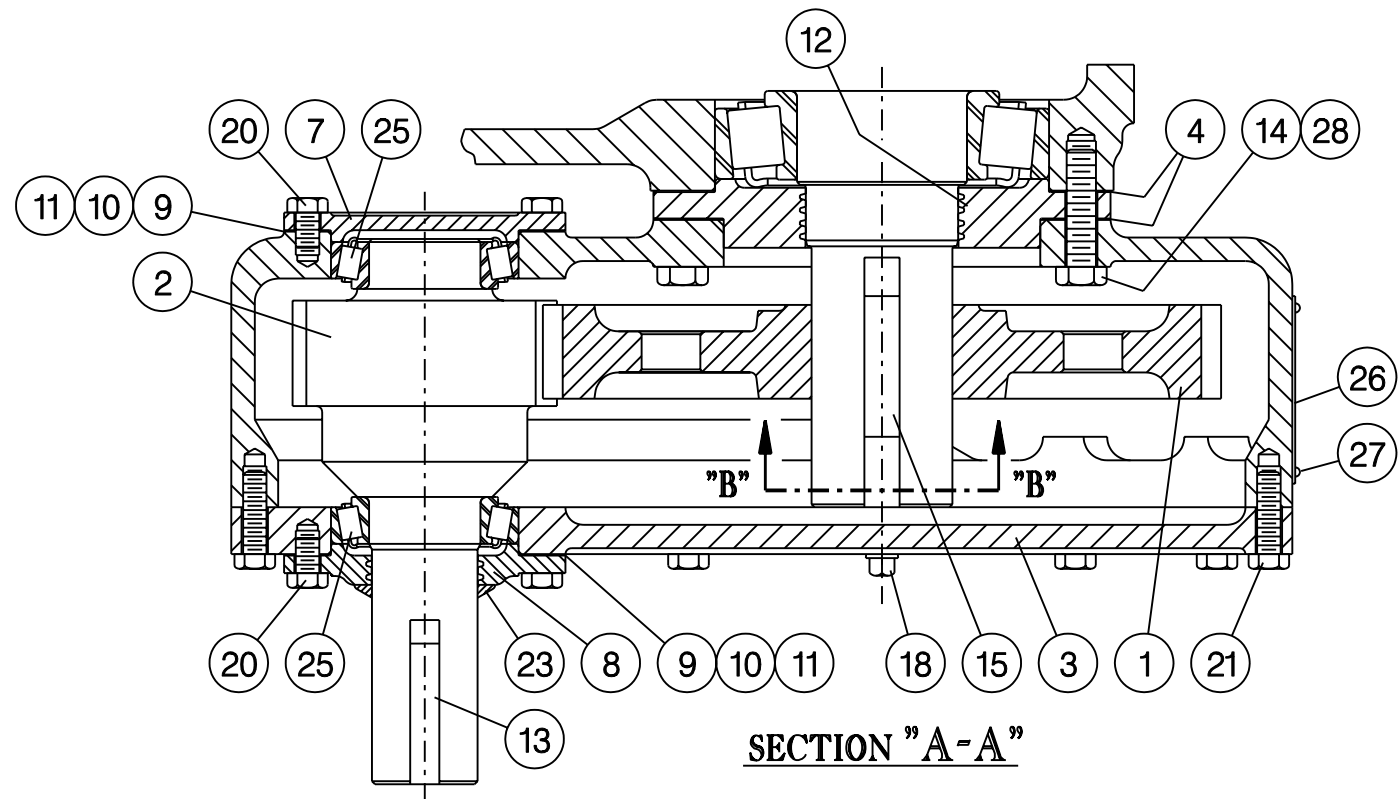


CAGE TYPE VALVE KIT
(SPHERICAL, BOTTOM GUIDED, DISC, OR BALL)

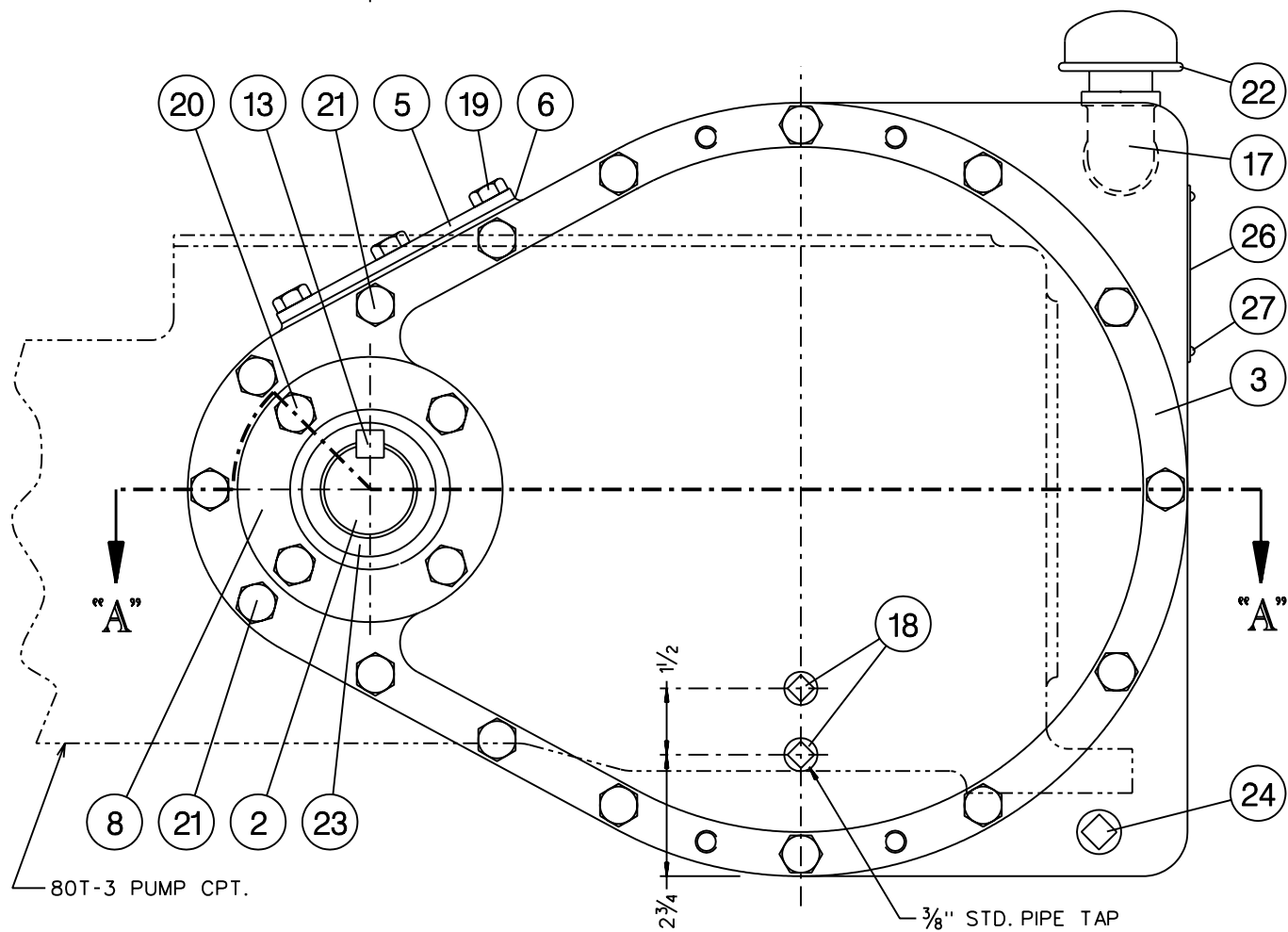


NATIONAL OILWELL VARCO TAPERED SEAT VALVE KIT

NOV NATIONAL OILWELL VARCO			
TITLE VALVE SERVICE KITS 80T-3 PLUNGER PUMP			
SIZE B	REFERENCE No.	DRAWING No. 1710678-80	REV
SCALE 1/6	EST WT	SHEET 1 OF 1	



3 FT.	59800016	LOCKWIRE, *16 GA. ANNEALED	28			
1	7178025	SCREW, RD HD DRIVE *2 x 1/4"	27			
1	1711606	PLATE, NAME & INSTRUCTION	26			
2	ZT-2370	BEARING, PINION SHAFT	25			
1	7815056	PLUG, MAGNETIC DRAIN 1"	24			
1	7804041	EXCLUDER, BRG	23			
1	7802020	CAP, BREATHER *S-183	22			
16	7000306-11	SCREW, HEX HD CAP 1/2" x 3/4"	21			
8	7000301-11	SCREW, HEX HD CAP 1/2" x 3/4"	20			
4	7000303-11	SCREW, HEX HD CAP 1/2" x 1"	19			
2	6874003	PLUG, STD PIPE 3/8"	18			
1	6829008	ELBOW, STD 1" x 90° STREET	17			
2	6580844	PIN, TAPER *8 x 2 3/4"	16			
1	2402640	KEY, GEAR 3/4" x 3/4" x 3"	15			
8	2402850	SCREW, HEX HD DRLD 5/8" x 2 1/2"	14			
1	2404050	KEY, PINION 5/8" x 5/8" x 3"	13			
1	1710618	RETAINER, CRANKSHAFT BRG	12			
6	1710627	SHIM, BEARING RETAINER .007	11			
6	1710625	SHIM, BEARING RETAINER .005	10			
2	1710620	SHIM, BEARING RETAINER .020	9			
1	1710605	CAP, H.S. PINION BRG OPEN	8			
1	1710604	CAP, H.S. PINION BRG BLIND	7			
1	1710619	GASKET, INSPECTION COVER	6			
1	2206529	COVER, INSPECTION	5			
1	7817200-68	GASKET, LOCTITE PLASTIC	4			
1	1710602	1710602	1710602	1710602	HOUSING CPT, GEAR REDUCER	3
1	1710615	1710614	1710613	1710612	PINION	2
1	1710608	1710609	1710610	1710611	GEAR	1
QTY REQ'D	PART NO.	PART NO.	PART NO.	PART NO.	DESCRIPTION	ITEM NO.
	1710633	1710632	1710631	1710630		
	3.03 RATIO	3.50 RATIO	2.77 RATIO	2.34 RATIO		
	GEAR REDUCER ASSY. COMPLETE B/M No.'s					



NOV NATIONAL OILWELL VARCO

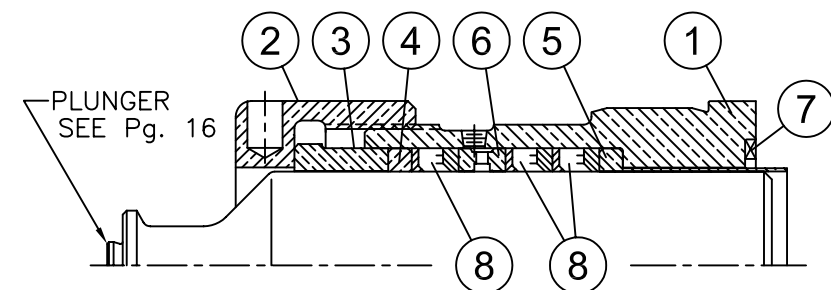
TITLE
GEAR REDUCER ASSEMBLY
80T-3 TRIPLEX PLUNGER PUMP

SIZE REFERENCE No. DRAWING No. REV
B 1710679-80

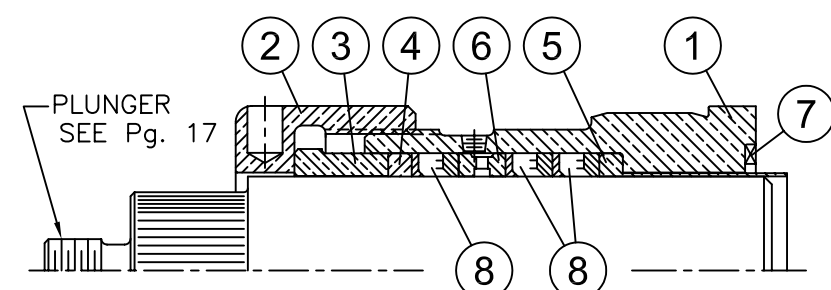
SCALE EST WT SHEET 1 OF 1
1 / 4

11

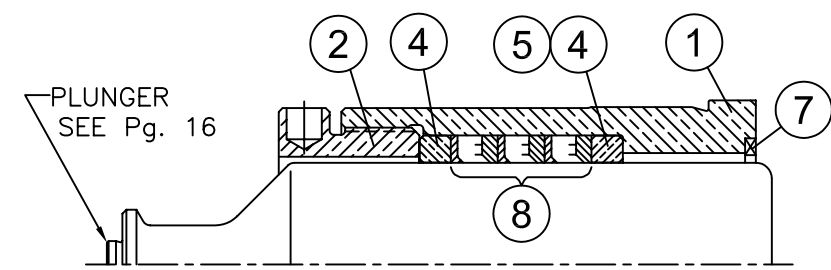
LTR	DESCRIPTION OF CHANGE	MADE	CHKD	DATE	APPROVED
A	REMOVED ITEM #9	DCP	RPQ	5.17.05	JCA



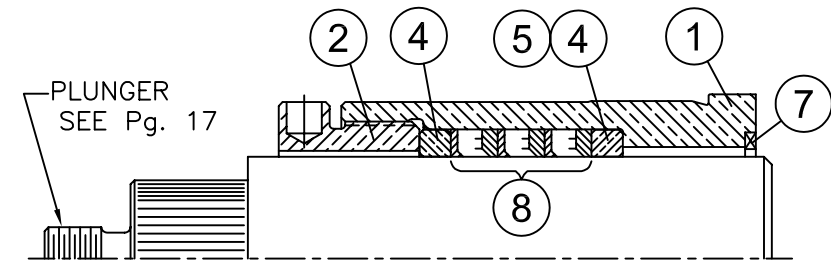
80T - 3L & 3M PLUNGER KIT WITH CLAMPED PLUNGER



80T - 3L & 3M PLUNGER KIT WITH THREADED PLUNGER



80T - 3L PLUNGER KIT WITH CLAMPED PLUNGER (3/4" & 3 3/8" SIZE ONLY)



80T - 3L PLUNGER KIT WITH THREADED PLUNGER (3/4" & 3 3/8" SIZE ONLY)

QTY REQ'D	PART NO.	DESCRIPTION	ITEM NO.
1	6422344	3 3/8" - 850-N UNIVERSAL PACKING	
1	1710937	3 1/4" - 850-N UNIVERSAL PACKING	
1	6422340	3" - 850-N UNIVERSAL PACKING	
1	6422338	2 3/4" - 850-N UNIVERSAL PACKING	
1	6422333	2 1/2" - 850-N UNIVERSAL PACKING	
1	6422330	2 1/4" - 850-N UNIVERSAL PACKING	
1	6422322	2" - 850-N UNIVERSAL PACKING	
1	6422319	1 3/4" - 850-N UNIVERSAL PACKING	
1	2410031-342	SEAL, STUFFING BOX	7
1	1712132	3" LUBE RING	
1	1712131	2 3/4" LUBE RING	
1	1710134	2 1/2" LUBE RING	
1	1710133	2 1/4" LUBE RING	
1	1710132	2" LUBE RING	
1	1710131	1 3/4" LUBE RING	
1	1710938-80	3 3/8" SLEEVE WASHER	
1	1710939-80	3 1/4" SLEEVE WASHER	
1	1710118	3" SLEEVE WASHER	
1	1710117	2 3/4" SLEEVE WASHER	
1	1710116	2 1/2" SLEEVE WASHER	
1	1710115	2 1/4" SLEEVE WASHER	
1	1710114	2" SLEEVE WASHER	
1	1710113	1 3/4" SLEEVE WASHER	
1	1711100	3 3/8" WASHER	
1	1711072	3 1/4" WASHER	
1	1710100	3" WASHER	
1	1710099	2 3/4" WASHER	
1	1710098	2 1/2" WASHER	
1	1710097	2 1/4" WASHER	
1	1710096	2" WASHER	
1	1710095	1 3/4" WASHER	
1	1710094	3" GLAND	
1	1710093	2 3/4" GLAND	
1	1710092	2 1/2" GLAND	
1	1710091	2 1/4" GLAND	
1	1710090	2" GLAND	
1	1710089	1 3/4" GLAND	
1	1710931-80	NUT, ADJUSTING (3 1/4" & 3 3/8")	
1	1710065	NUT, ADJUSTING (1 3/4" THRU 3")	
1	1710930-80	3 3/8" PLG'R x 4 1/8" BORE STUFFING BOX	
1	1710930-80	3 1/4" PLG'R x 4 1/8" BORE STUFFING BOX	
1	1710076	3" PLG'R x 3 3/4" BORE STUFFING BOX	
1	1710076	2 3/4" PLG'R x 3 3/4" BORE STUFFING BOX	
1	1710075	2 1/2" PLG'R x 3 1/4" BORE STUFFING BOX	
1	1710075	2 1/4" PLG'R x 3 1/4" BORE STUFFING BOX	
1	1710074	2" PLG'R x 2 3/4" BORE STUFFING BOX	
1	1710074	1 3/4" PLG'R x 2 3/4" BORE STUFFING BOX	

80T- 3L PLUNGER KIT

QTY REQ'D	PART NO.	DESCRIPTION	ITEM NO.
1	6422322	2" - 850-N UNIVERSAL PACKING	
1	6422319	1 3/4" - 850-N UNIVERSAL PACKING	
1	6422316	1 5/8" - 850-N UNIVERSAL PACKING	
1	6422312	1 1/2" - 850-N UNIVERSAL PACKING	
1	2410031-342	1 3/4" & 2" SEAL, STUFFING BOX	
1	2410031-334	1 1/2" & 1 5/8" SEAL, STUFFING BOX	
1	1710132	2" LUBE RING	
1	1710131	1 3/4" LUBE RING	
1	1710142	1 5/8" LUBE RING	
1	1710141	1 1/2" LUBE RING	
1	1710114	2" SLEEVE WASHER	
1	1710113	1 3/4" SLEEVE WASHER	
1	1710161	1 5/8" SLEEVE WASHER	
1	1710162	1 1/2" SLEEVE WASHER	
1	1710096	2" WASHER	
1	1710095	1 3/4" WASHER	
2	1710060	1 5/8" WASHER	
2	1710059	1 1/2" WASHER	
1	1710090	2" GLAND	
1	1710089	1 3/4" GLAND	
1	1710054	1 5/8" GLAND	
1	1710053	1 1/2" GLAND	
1	1710065	1 3/4" & 2" ADJUSTING NUT	
1	1710025	1 1/2" & 1 5/8" ADJUSTING NUT	
1	1710074	2" PLG'R x 2 3/4" BORE STUFFING BOX	
1	1710074	1 3/4" PLG'R x 2 3/4" BORE STUFFING BOX	
1	1710036	1 5/8" PLG'R x 2 3/8" BORE STUFFING BOX	
1	1710036	1 1/2" PLG'R x 2 3/8" BORE STUFFING BOX	

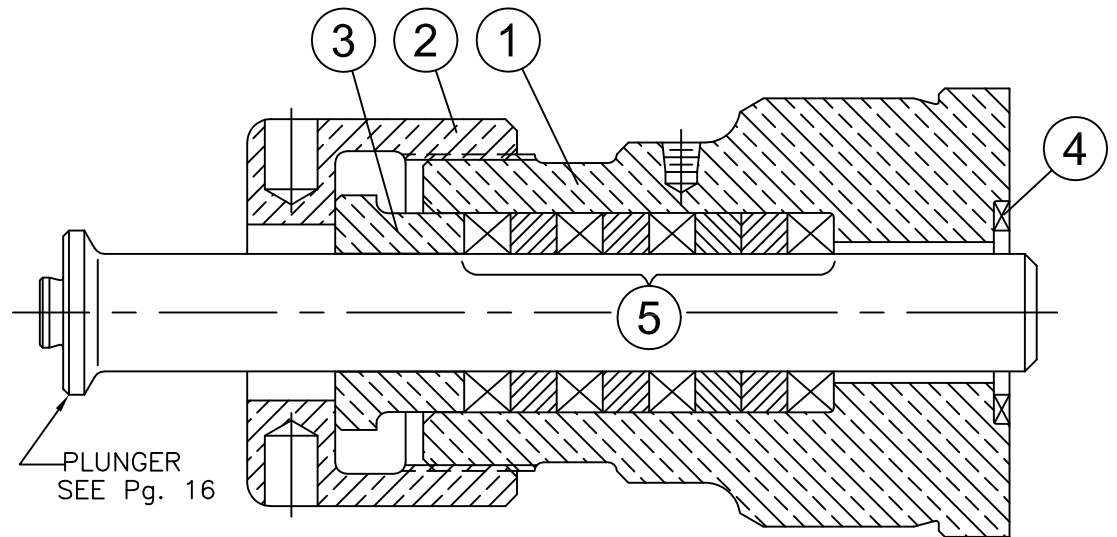
80T - 3M PLUNGER KIT



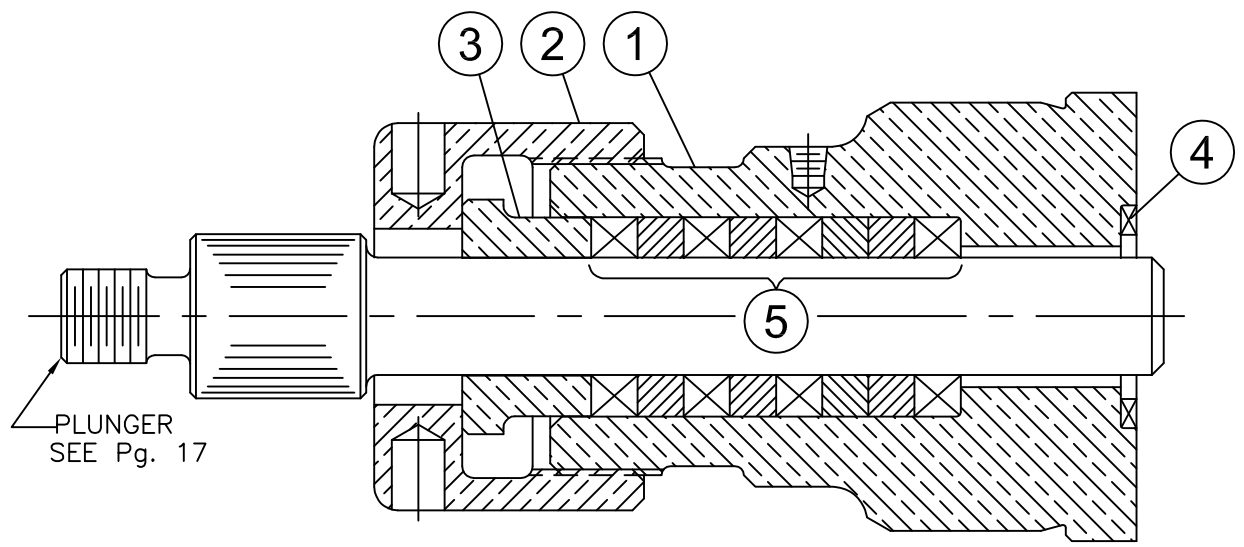
TITLE ASSEMBLY, PLUNGER KIT 80T-3L & 3M TRIPLEX PUMP			
SIZE B	REFERENCE No.	DRAWING No. 1710680-80	REV A
SCALE 1/3	EST WT	SHEET 1 OF 1	

5 USE ONLY WITH CERAMIC PLUNGER.
REPLACE ONE OF ITEM #4 WITH ITEM #5

LTR	DESCRIPTION OF CHANGE	MADE	CHKD	DATE	APPROVED	M NO
A	REMOVED STUFFING BOX BUSHING	DCP	RPQ	3.23.07	JCA	



80T-3M / 3H PLUNGER KIT WITH CLAMPED PLUNGER



80T-3M / 3H PLUNGER KIT WITH THREADED PLUNGER

A

1	6420402	1 ³ / ₈ " - 1045 UNIVERSAL PACKING	5
1	6420420	1 ¹ / ₄ " - 1045 UNIVERSAL PACKING	
1	2410031-334	SEAL, STUFFING BOX	4
1	1710052	1 ³ / ₈ " GLAND	3
1	1710051	1 ¹ / ₄ " GLAND	
1	1710025	NUT, ADJUSTING	2
1	1710036-80	1 ³ / ₈ " PLG'R x 2 ³ / ₈ " BORE STUFFING BOX	1
1	1710035-80	1 ¹ / ₄ " PLG'R x 2" BORE STUFFING BOX	
QTY REQ'D	PART No.	DESCRIPTION	ITEM No.

LIST OF MATERIAL
80T - 3M PLUNGER KIT

A

1	6420421	1 ³ / ₈ " - 1045 UNIVERSAL PACKING	5
1	6420401	1 ¹ / ₄ " - 1045 UNIVERSAL PACKING	
1	6420415	1 ¹ / ₈ " - 1045 UNIVERSAL PACKING	
1	6420419	1" - 1045 UNIVERSAL PACKING	
1	2410031-329	SEAL, STUFFING BOX	4
1	1710304	1 ³ / ₈ " GLAND	3
1	1710303	1 ¹ / ₄ " GLAND	
1	1710302	1 ¹ / ₈ " GLAND	
1	1710301	1" GLAND	2
1	1710025	NUT, ADJUSTING	
1	1710295-80	1 ³ / ₈ " PLG'R x 2 ¹ / ₈ " BORE STUFFING BOX	1
1	1710295-80	1 ¹ / ₄ " PLG'R x 2 ¹ / ₈ " BORE STUFFING BOX	
1	1710294-80	1 ¹ / ₈ " PLG'R x 1 ⁷ / ₈ " BORE STUFFING BOX	
1	1710294-80	1" PLG'R x 1 ⁷ / ₈ " BORE STUFFING BOX	
QTY REQ'D	PART No.	DESCRIPTION	ITEM No.

LIST OF MATERIAL
80T - 3H PLUNGER KIT



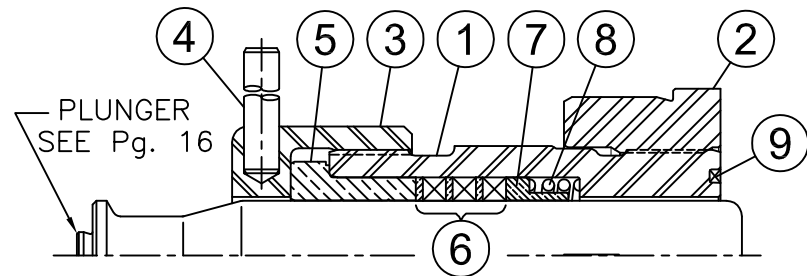
HOUSTON, TEXAS U.S.A. ENGINEERING, McALESTER, OKLAHOMA

TITLE ASSEMBLY, PLUNGER KIT
80T-3M/3H TRIPLEX PUMP

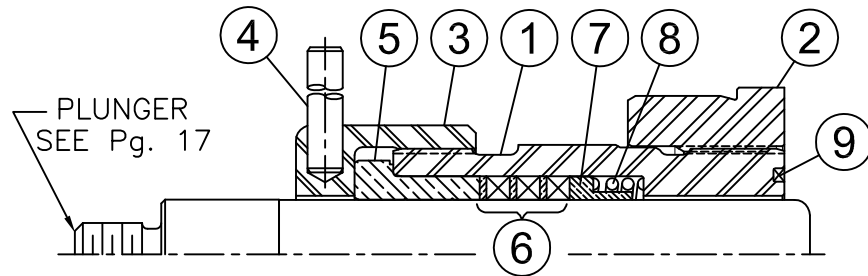
SIZE	REFERENCE No.	DRAWING No.	REV
B		1710681-80	A

SCALE	EST WT	SHEET
N.T.S.		1 OF 1

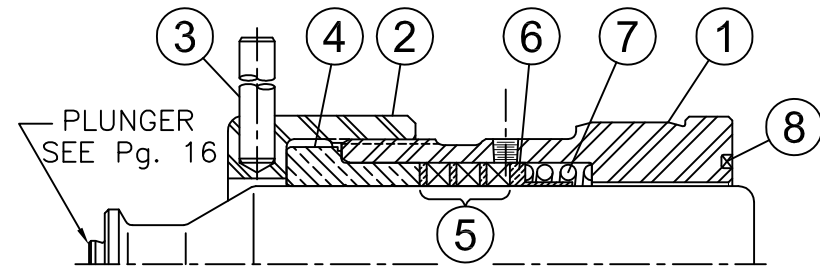
LTR	DESCRIPTION OF CHANGE	MADE	CHKD	DATE	APPROVED	M NO
A	08226279 WAS 08266279	DCP	RPQ	6.06.05	JCA	
B	REMOVED STUFFNG BOX BUSHINGS	DCP	RPQ	2.26.07		



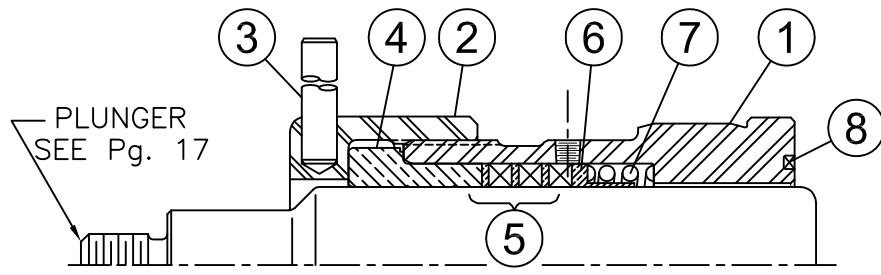
80T-3M (1 3/8" THRU 1 3/4" PLG'R)
PLUNGER KIT WITH CLAMPED PLUNGER



80T-3M (1 3/8" THRU 1 3/4" PLG'R)
PLUNGER KIT WITH THREADED PLUNGER



80T-3L & (80T-3M 1 7/8" & 2" PLG'R)
PLUNGER KIT WITH CLAMPED PLUNGER



80T-3L & (80T-3M 1 7/8" & 2" PLG'R)
PLUNGER KIT WITH THREADED PLUNGER

B

QTY REQ'D	PART No.	DESCRIPTION	ITEM No.
1	2410031-342	SEAL, STUFFING BOX	8
1	342-268	3/4" & 3/8" SPRING	7
1	342-008	2 3/4" & 3" SPRING	
1	342-000	2 1/4" & 2 1/2" SPRING	
1	L342-260	2" SPRING	6
1	342-358	3 3/8" FOLLOWER	
1	342-404	3/4" FOLLOWER	
1	342-015	3" FOLLOWER	
1	342-014	2 3/4" FOLLOWER	
1	342-002	2 1/2" FOLLOWER	
1	342-001	2 1/4" FOLLOWER	5
1	L342-368	2" FOLLOWER	
1	342-756	3 3/8" KEVLAR PACKING	
1	342-843	3/4" KEVLAR PACKING	
1	342-019	3" KEVLAR PACKING	
1	342-018	2 3/4" KEVLAR PACKING	
1	342-004	2 1/2" KEVLAR PACKING	4
1	342-003	2 1/4" KEVLAR PACKING	
1	342-768	2" KEVLAR PACKING	
1	08-800-228	3 3/8" GLAND	
1	08-226-279	3/4" GLAND	
1	342-022	2 3/4" & 3" GLAND	
1	342-006	2 1/2" GLAND	3
1	342-005	2 1/4" GLAND	
1	L342-168	2" GLAND	
1	342-914	PIN, LOCKING	
1	342-986	3/4" & 3 3/8" ADJUSTING NUT	
1	342-961	2 3/4" & 3" ADJUSTING NUT	
1	342-922	2 1/4" & 2 1/2" ADJUSTING NUT	2
1	L342-913	2" ADJUSTING NUT	
1	342-980	3 3/8" PLG'R x 4 1/8" BORE STUFFING BOX	1
1	342-980	3/4" PLG'R x 4 1/8" BORE STUFFING BOX	
1	343-096	3" PLG'R x 3 3/4" BORE STUFFING BOX	
1	343-096	2 3/4" PLG'R x 3 3/4" BORE STUFFING BOX	
1	343-095	2 1/2" PLG'R x 3 1/4" BORE STUFFING BOX	
1	343-095	2 1/4" PLG'R x 3 1/4" BORE STUFFING BOX	
1	343-094	2" PLG'R x 2 3/4" BORE STUFFING BOX	
1	343-094	2" PLG'R x 2 3/4" BORE STUFFING BOX	

80T - 3L PLUNGER KIT

B

QTY REQ'D	PART No.	DESCRIPTION	ITEM No.
1	2410031-342	1 7/8" & 2" SEAL, STUFFING BOX	9
1	2410031-332	1 3/8", 1/2", 1 5/8" & 1 3/4" SEAL, STUFFING BOX	8
1	L342-260	1 7/8" & 2" SPRING	
1	L342-240	1/2", 1 5/8" & 1 3/4" SPRING	
1	L342-210	1 3/8" SPRING	7
1	L342-368	2" FOLLOWER	
1	L342-367	1 7/8" FOLLOWER	
1	L342-346	1 3/4" FOLLOWER	
1	L342-345	1 5/8" FOLLOWER	
1	L342-344	1/2" FOLLOWER	
1	L342-313	1 3/8" FOLLOWER	6
1	L342-768	2" KEVLAR PACKING	
1	L342-767	1 7/8" KEVLAR PACKING	
1	L342-746	1 3/4" KEVLAR PACKING	
1	L342-745	1 5/8" KEVLAR PACKING	
1	L342-744	1/2" KEVLAR PACKING	
1	L342-713	1 3/8" KEVLAR PACKING	5
1	L342-168	2" GLAND	
1	L342-167	1 7/8" GLAND	
1	L342-146	1 3/4" GLAND	
1	L342-145	1 5/8" GLAND	
1	L342-144	1/2" GLAND	
1	L342-113	1 3/8" GLAND	4
1	342-914	PIN, LOCKING	
1	L342-913	1 7/8" & 2" ADJUSTING NUT	3
1	L342-912	1 3/8", 1/2", 1 5/8" & 1 3/4" ADJUSTING NUT	
1	343-093	1 3/8" - 1 7/8" RETAINER	2
1	343-094	2" PLG'R x 2 3/4" BORE STUFFING BOX	
1	343-094	1 7/8" PLG'R x 2 3/4" BORE STUFFING BOX	1
1	L342-902	1 3/4" PLG'R x 2 1/2" BORE STUFFING BOX	
1	L342-902	1 5/8" PLG'R x 2 1/2" BORE STUFFING BOX	
1	L342-902	1 1/2" PLG'R x 2 1/2" BORE STUFFING BOX	
1	342-969	1 3/8" PLG'R x 2 1/8" BORE STUFFING BOX	
1	342-969	1 3/8" PLG'R x 2 1/8" BORE STUFFING BOX	

80T - 3M PLUNGER KIT

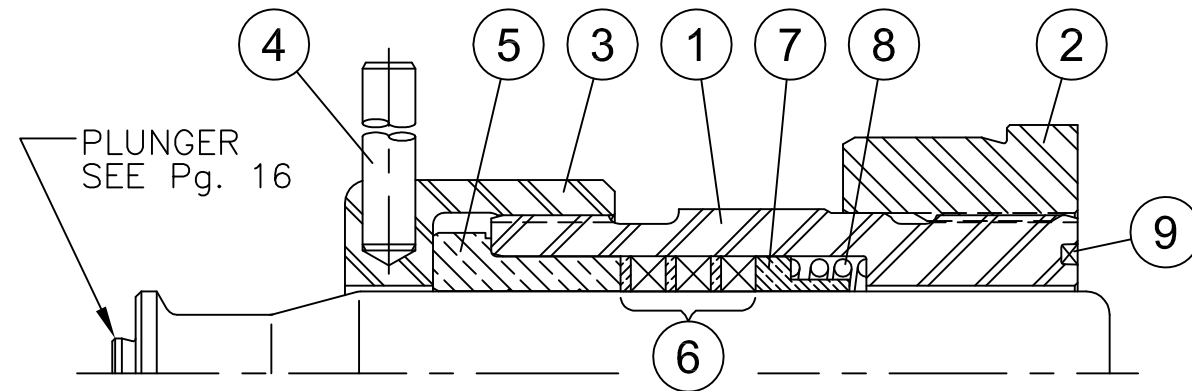
NOV NATIONAL OILWELL VARCO
HOUSTON, TEXAS U.S.A. ENGINEERING, McALESTER, OKLAHOMA

TITLE ASSEMBLY, SS PLUNGER KITS WITH KEVLAR PACKING 80T-3L/3M TRIPLEX PUMP

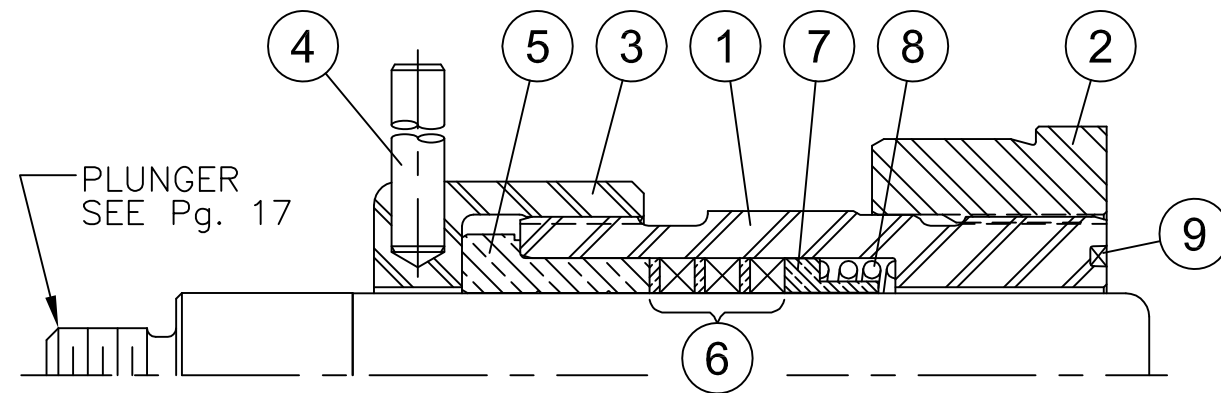
SIZE B REFERENCE No. DRAWING No. 1710682-80 REV B

SCALE N.T.S. EST WT SHEET 1 OF 1

LTR	DESCRIPTION OF CHANGE	MADE	CHKD	DATE	APPROVED	M NO
A	ADDED PART NUMBER 343-093 REMOVED STUFFING BOX BUSHING	DCP	RPQ	2.23.07		



80T-3H PLUNGER KIT
WITH CLAMPED PLUNGER



80T-3H PLUNGER KIT
WITH THREADED PLUNGER

A

1	2410031-329	SEAL, STUFFING BOX	9
1	L342-210	SPRING	8
1	L342-313	1 3/8" FOLLOWER	7
1	L342-312	1 1/4" FOLLOWER	
1	L342-713	1 3/8" KEVLAR PACKING	6
1	L342-712	1 1/4" KEVLAR PACKING	
1	L342-113	1 3/8" GLAND	5
1	L342-112	1 1/4" GLAND	
1	342-914	PIN, LOCKING	4
1	L342-912	NUT, ADJUSTING	3
1	343-093	RETAINER, STUFFING BOX	2
1	L342-901	1 3/8" PLG'R x 2 1/8" BORE STUFFING BOX	1
1	L342-901	1 1/4" PLG'R x 2 1/8" BORE STUFFING BOX	
QTY REQ'D	PART NUMBERS	MATERIAL/SPECIFICATION	ITEM No.

A

LIST OF MATERIAL

80T - 3H PLUNGER KIT

15

NOV NATIONAL OILWELL VARCO

HOUSTON, TEXAS U.S.A. ENGINEERING, McALESTER, OKLAHOMA

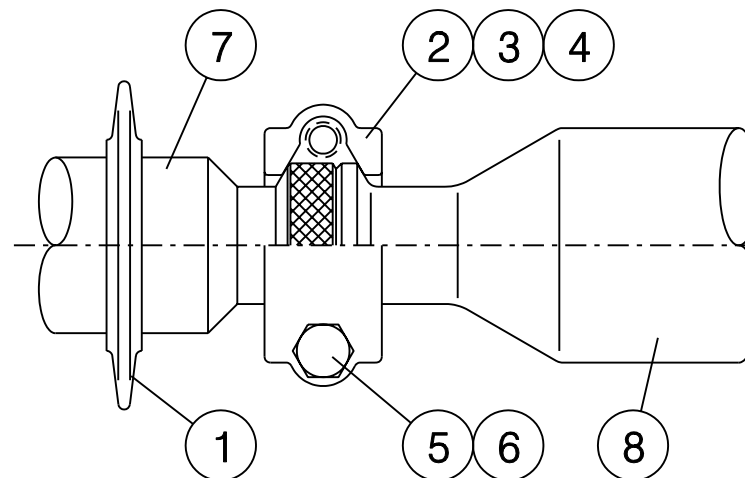
TITLE ASSEMBLY, SS PLUNGER KITS
80T-3H TRIPLEX PLUNGER PUMP

SIZE B REFERENCE No. DRAWING No. 1710683-80 REV A

SCALE N.T.S. EST WT SHEET 1 OF 1

BILL OF MATERIAL

ITEM	PART NO.	DESCRIPTION
1	L340-003	INTERMEDIATE ROD, S.S.
2	L340-001	CLAMP COMPLETE
3	L340-001-1	CLAMP, BOLT HALF
4	L340-001-2	CLAMP, THREAD HALF
5	L195-063	CAPSCREW, HEX HEAD
6	L195-064	WASHER, SPRING LOCK
7	1710018	BAFFLE, INTERMEDIATE ROD



DOUBLE TAPER CLAMP

PLUNGERS FOR DOUBLE TAPER CLAMPS

80T – 3L

ITEM	* PART NO.*	PART NO.	DESCRIPTION	
8	-----	340-275	3 ³ / ₈ " CARBIDE PLUNGER	
	-----	340-276	3 ¹ / ₄ " CARBIDE PLUNGER	
	1710428	340-130	3" CARBIDE PLUNGER	
	1710427	340-129	2 ³ / ₄ " CARBIDE PLUNGER	
	1710426	340-006	2 ¹ / ₂ " CARBIDE PLUNGER	
	1710425	340-005	2 ¹ / ₄ " CARBIDE PLUNGER	
	1710424	340-128	2" CARBIDE PLUNGER	
	1710423	340-126	1 ³ / ₄ " CARBIDE PLUNGER	
80T – 3M				
		1710424	340-128	2" CARBIDE PLUNGER
		-----	340-127	1 ⁷ / ₈ " CARBIDE PLUNGER
		1710423	340-126	1 ³ / ₄ " CARBIDE PLUNGER
		1710422	340-125	1 ⁵ / ₈ " CARBIDE PLUNGER
		1710421	340-124	1 ¹ / ₂ " CARBIDE PLUNGER
80T – 3H				
		1710420	L340-123	1 ³ / ₈ " CARBIDE PLUNGER
		1710419	L340-122	1 ¹ / ₄ " CARBIDE PLUNGER
		1710418	340-121	1 ¹ / ₈ " CARBIDE PLUNGER
		1710417	340-120	1" CARBIDE PLUNGER

PLUNGERS FOR DOUBLE TAPER CLAMPS

80T – 3L

ITEM	PART NO.	DESCRIPTION	
8	-----	3 ³ / ₈ " CERAMIC PLUNGER	
	-----	3 ¹ / ₄ " CERAMIC PLUNGER	
	1710468	3" CERAMIC PLUNGER	
	1710467	2 ³ / ₄ " CERAMIC PLUNGER	
	1710466	2 ¹ / ₂ " CERAMIC PLUNGER	
	1710465	2 ¹ / ₄ " CERAMIC PLUNGER	
	1710464	2" CERAMIC PLUNGER	
	1710463	1 ³ / ₄ " CERAMIC PLUNGER	
80T – 3M			
		1710464	2" CERAMIC PLUNGER
		-----	1 ⁷ / ₈ " CERAMIC PLUNGER
		1710463	1 ³ / ₄ " CERAMIC PLUNGER
		1710462	1 ⁵ / ₈ " CERAMIC PLUNGER
		1710461	1 ¹ / ₂ " CERAMIC PLUNGER
80T – 3H			
		-----	1 ³ / ₈ " CERAMIC PLUNGER
		-----	1 ¹ / ₄ " CERAMIC PLUNGER
		-----	1 ¹ / ₈ " CERAMIC PLUNGER
		-----	1" CERAMIC PLUNGER

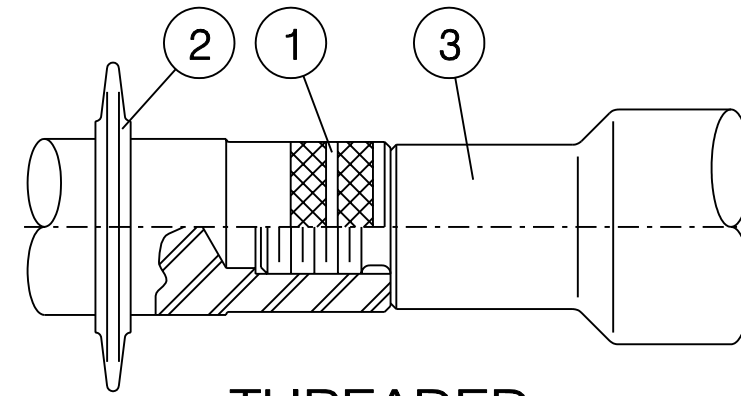
* LISTED PART NO.'s WERE PREVIOUSLY HARD COAT PLUNGERS

NOV NATIONAL OILWELL VARCO

TITLE PLUNGER/INTERMEDIATE ROD ASSY.
DOUBLE TAPER CLAMP
80T-3 PLUNGER PUMP

SIZE B	REFERENCE No.	DRAWING No. 1710684-80	REV
SCALE 1 / 2	EST WT	SHEET 1 OF 1	

BILL OF MATERIAL		
ITEM	PART NO.	DESCRIPTION
1	340-021	INTERMEDIATE ROD, S.S.
2	1710018	BAFFLE, INTERMEDIATE ROD



THREADED

THREADED PLUNGERS				
80T - 3L				
ITEM	* PART NO.*	PART NO.	DESCRIPTION	
3	-----	1710932-80	3 ³ / ₈ " CARBIDE PLUNGER	
	-----	1710934-80	3 ¹ / ₄ " CARBIDE PLUNGER	
	1710048	340-300	3" CARBIDE PLUNGER	
	1710047	340-171	2 ³ / ₄ " CARBIDE PLUNGER	
	1710046	340-170	2 ¹ / ₂ " CARBIDE PLUNGER	
	1710045	340-169	2 ¹ / ₄ " CARBIDE PLUNGER	
	1710044	340-168	2" CARBIDE PLUNGER	
	1710043	340-166	1 ³ / ₄ " CARBIDE PLUNGER	
80T - 3M				
		1710044	340-168	2" CARBIDE PLUNGER
	-----	340-167	1 ⁷ / ₈ " CARBIDE PLUNGER	
	1710043	340-166	1 ³ / ₄ " CARBIDE PLUNGER	
	1710042	L340-165	1 ⁵ / ₈ " CARBIDE PLUNGER	
	1710041	340-164	1 ¹ / ₂ " CARBIDE PLUNGER	
80T - 3H				
	1710040	340-163	1 ³ / ₈ " CARBIDE PLUNGER	
	1710039	340-162	1 ¹ / ₄ " CARBIDE PLUNGER	
	1710297	L340-161	1 ¹ / ₈ " CARBIDE PLUNGER	
	1710296	340-160	1" CARBIDE PLUNGER	

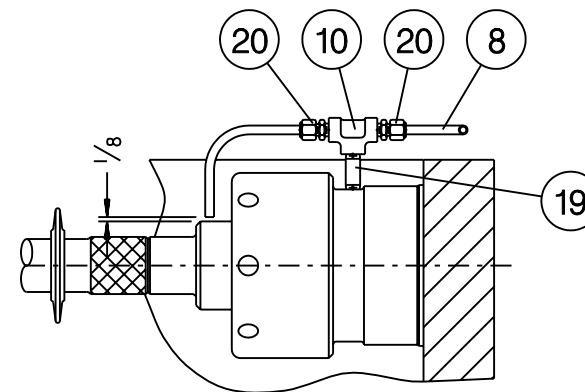
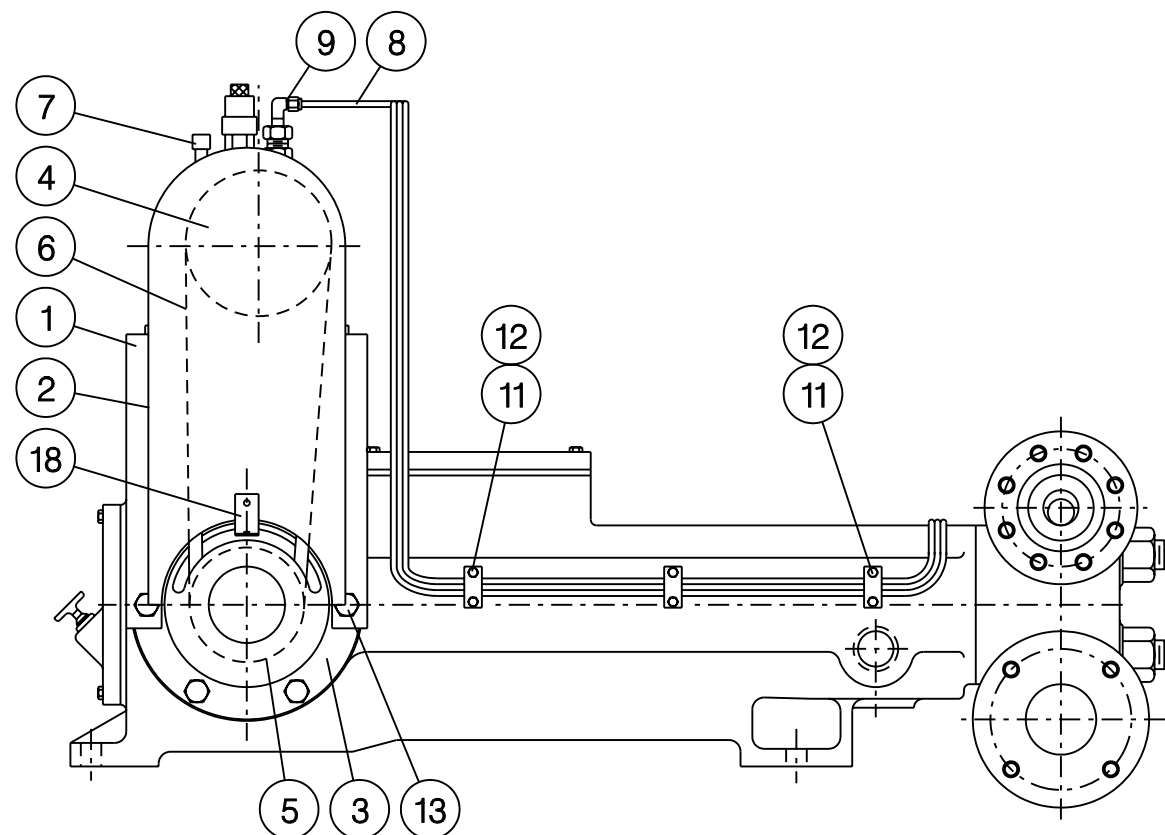
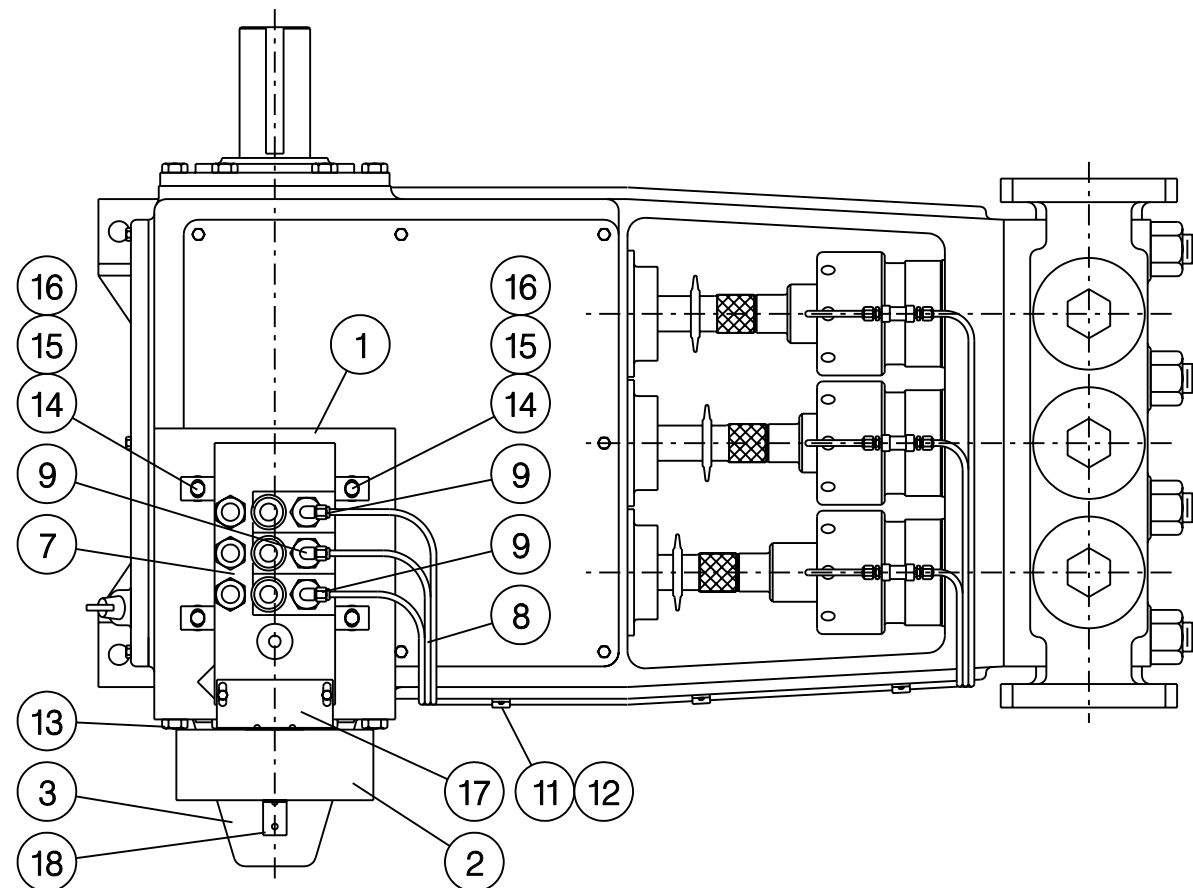
THREADED PLUNGERS		
80T - 3L		
ITEM	PART NO.	DESCRIPTION
3	1710933-80	3 ³ / ₈ " CERAMIC PLUNGER
	1710935-80	3 ¹ / ₄ " CERAMIC PLUNGER
	1710082	3" CERAMIC PLUNGER
	1710081	2 ³ / ₄ " CERAMIC PLUNGER
	1710080	2 ¹ / ₂ " CERAMIC PLUNGER
	1710079	2 ¹ / ₄ " CERAMIC PLUNGER
	1710078	2" CERAMIC PLUNGER
	1710072	1 ³ / ₄ " CERAMIC PLUNGER
80T - 3M		
	1710078	2" CERAMIC PLUNGER
	-----	1 ⁷ / ₈ " CERAMIC PLUNGER
	1710072	1 ³ / ₄ " CERAMIC PLUNGER
	1710299	1 ⁵ / ₈ " CERAMIC PLUNGER
	1710137	1 ¹ / ₂ " CERAMIC PLUNGER
80T - 3H		
	-----	1 ³ / ₈ " CERAMIC PLUNGER
	07970742	1 ¹ / ₄ " CERAMIC PLUNGER
	-----	1 ¹ / ₈ " CERAMIC PLUNGER
	-----	1" CERAMIC PLUNGER

* LISTED PART NO.'s WERE PREVIOUSLY HARD COAT PLUNGERS

NOV NATIONAL OILWELL VARCO

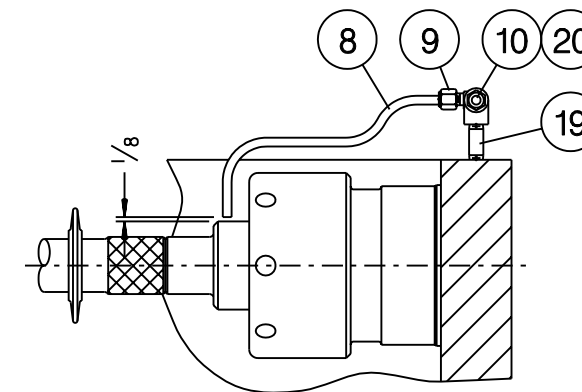
TITLE PLUNGER/INTERMEDIATE ROD ASSY.
THREADED PLUNGER
80T-3 PLUNGER PUMP

SIZE	REFERENCE No.	DRAWING No.	REV
B		1710685-80	
SCALE	EST WT	SHEET 1 OF 1	
1/2			



DRIP LUBE PIPING

FOR COPPER LINES USE FITTINGS - 10A, 19 & 20
 FOR S.S. LINES USE FITTINGS - 10B & 19



DRIP LUBE PIPING ALTERNATE

FOR COPPER LINES USE FITTINGS - 9A, 10A, 19 & 20
 FOR S.S. LINES USE FITTINGS - 10B & 19

QTY REQ'D	PART No.	DESCRIPTION / MATERIAL / SPECIFICATION	ITEM NO.
6	-----	7802242 CONNECTOR, MALE 1/4" TUBE x 1/8" NPT	20
3	X172569	X172569 PLUG, ADAPTER S.S.	19
1	1790074	1790074 BRACKET, LUBRICATOR GUARD - BOTTOM	18
1	1790051	1790051 BRACKET, LUBRICATOR GUARD - TOP	17
4	6300070	6300070 NUT, HEX 7/16"	16
20	7600032	7600032 WASHER, 1/2" N TYPE A 1.062 O.D.	15
4	7000258-11	7000258-11 SCREW, HEX HEAD CAP 7/16 x 1 1/2" LG.	14
4	2405083	2405083 SCREW, DRILLED HEX HEAD CAP 5/8" x 1 3/4" LG.	13
6	7168073	7168073 SCREW, HEX HEAD #8-32 x 1/4" TYPE F SELF TAPPING	12
3	7802200	7802200 CLIP, MULTI-LINE TUBING	11
3	49011791	TEE, 1/8" (F) NPT BRANCH S.S.	10B
	6888001	TEE, 1/8" NPT	10A
3	64226988	ELBOW, 90° x 1/4" TUBE x 1/8" N.P.T. - S.S.	9B
	7804080	ELBOW, 90° x 1/4" TUBE x 1/8" N.P.T.	9A
16 FT	64699402	TUBING, STAINLESS STEEL 1/4" O.D. x .035 WALL	8
	7400420	TUBING, COPPER 1/4" O.D. x .032 WALL	8
1	7811072	7811072 LUBRICATOR, 3 FEED (LH)	7
	7811071	7811071 LUBRICATOR, 3 FEED (RH)	7
1	4712490	4712490 BELT, V - 2490	6
1	1710124	1710124 SHEAVE, DRIVER 5" PD	5
1	7200020	7200020 SHEAVE, LUBRICATOR 6.2" PD	4
1	1710129	1710129 COVER, CRANKSHAFT EXTENSION	3
1	1710125	1710125 GUARD, LUBRICATOR BELT (INCL. ITEMS 17 & 18)	2
1	1710020	1710020 BRACKET, LUBRICATOR	1

LIST OF MATERIAL

NOTE:

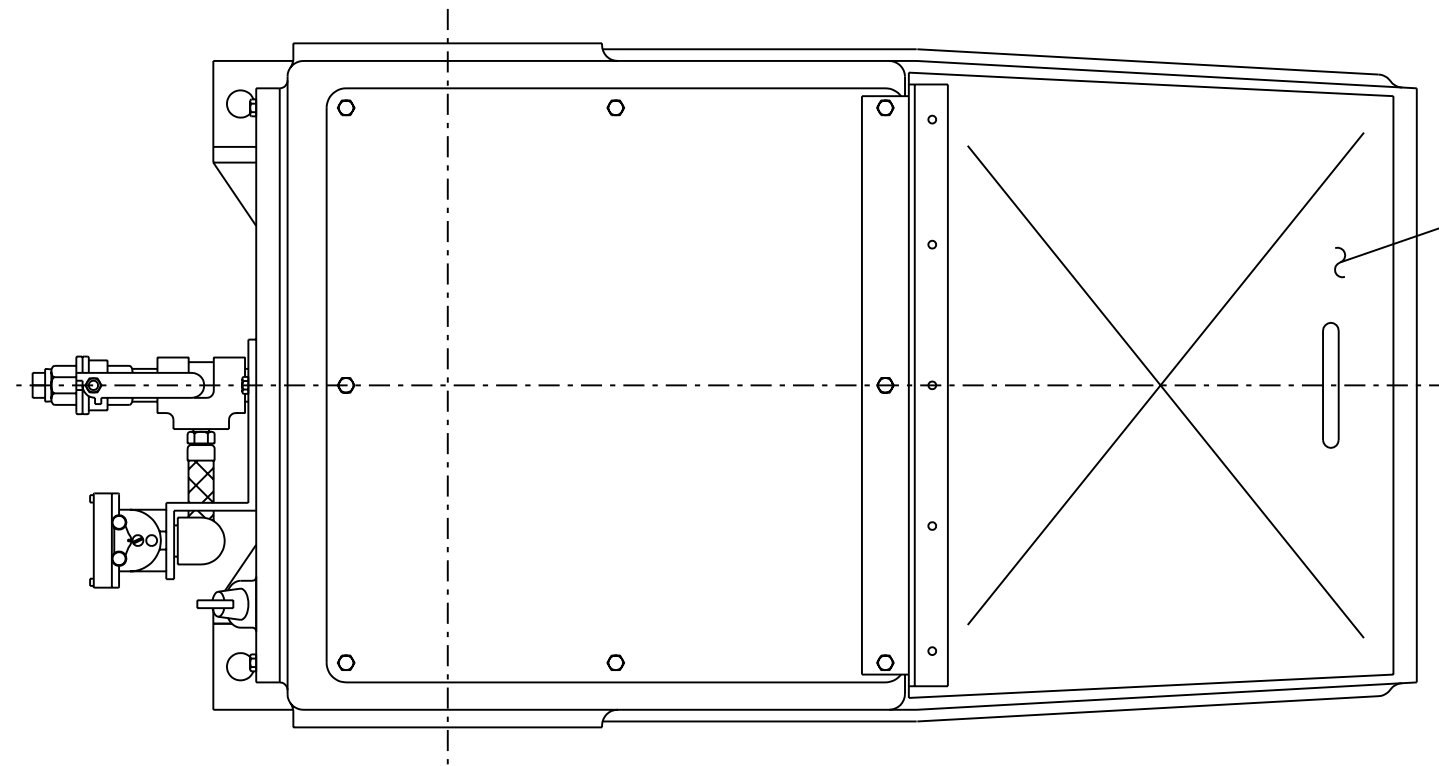
R.H. LUBRICATOR SHOWN
 L.H. OPPOSITE



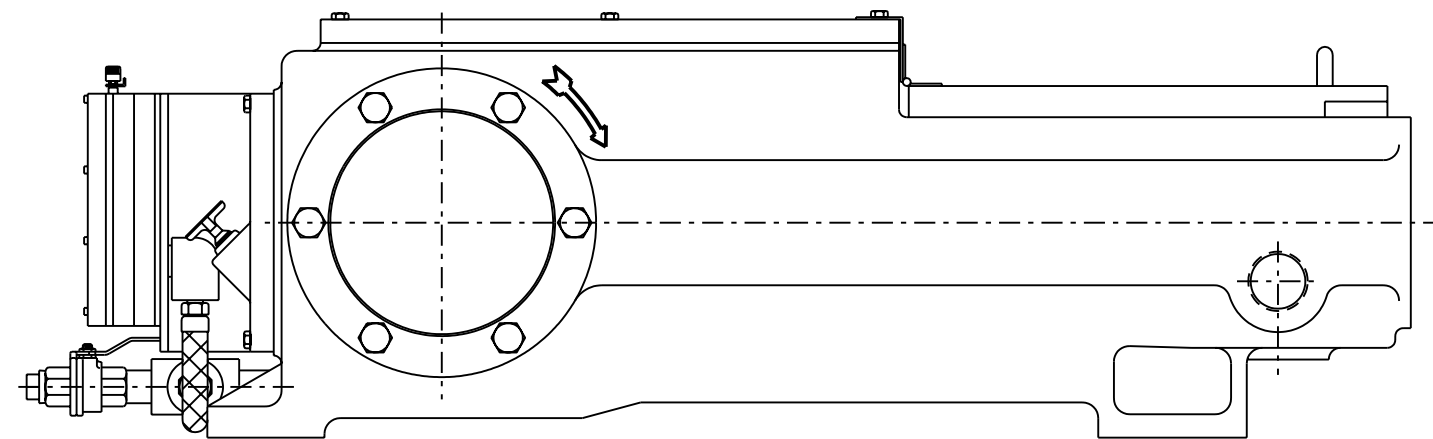
TITLE LUBRICATOR ASSEMBLY PIPING
 3-FEED LUBRICATOR (R.H. OR L.H.)
 80T-3 TRIPLEX PLUNGER PUMP

SIZE B REFERENCE No. DRAWING No. 1710686-80 REV

SCALE 1/8 EST WT SHEET 1 OF 1

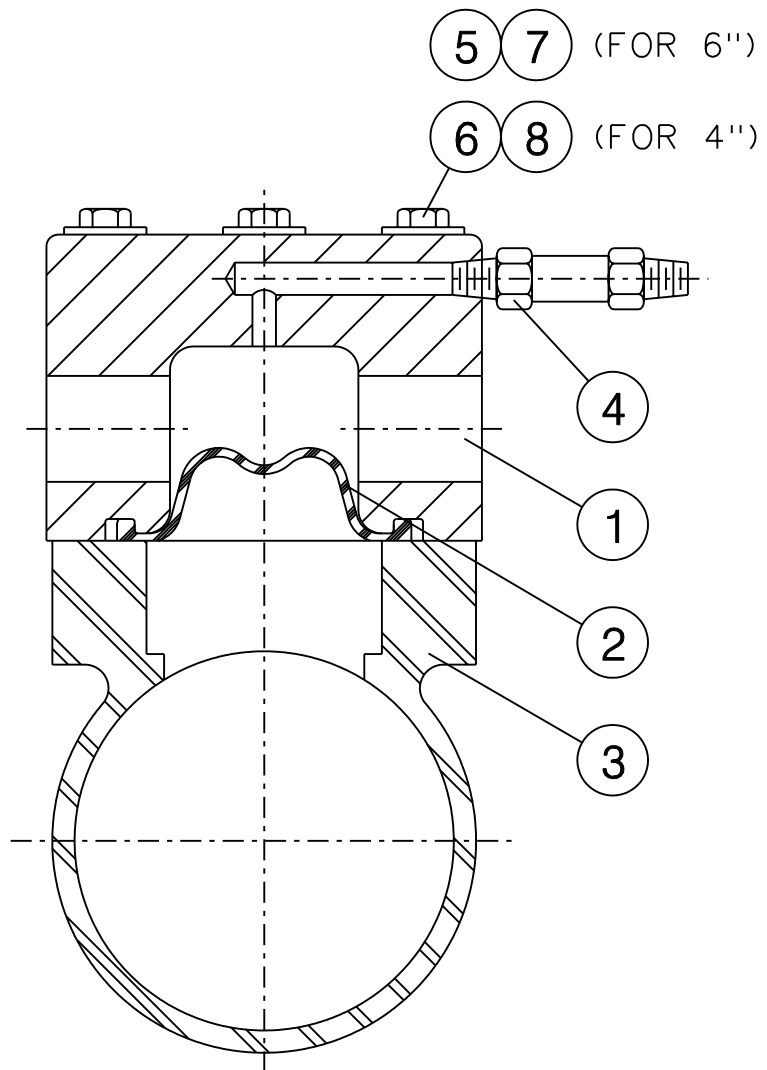


PLUNGER CHAMBER COVER
P/N 1710154 (14 GA. STL.)



OIL LEVEL SWITCH ASSY.
(TYPICAL ARRANGEMENT)
MURPHY L-129 SHOWN
SWITCH MODEL, LOCATION & PIPING ARRANGEMENT
WILL VARY DEPENDING ON APPLICATION

NOV NATIONAL OILWELL VARCO			
TITLE OPTIONAL ACCESSORIES 80T-3 TRIPLEX PLUNGER PUMP			
SIZE B	REFERENCE No.	DRAWING No. 1710687-80	REV
SCALE 1/6	EST WT	SHEET 1 OF 1	



14	7600020	WASHER, 5/16" (FOR 4")	14
18	7600032	WASHER, 1/2" (FOR 6")	13
14	7000157-11	CAPSCREW, 5/16-18 x 1" LG. (FOR 4")	12
18	7000304-11	CAPSCREW, 1/2-13 x 1 1/4" LG. (FOR 6")	11
1	1712218	GASKET, BLANKING PLATE (FOR 6")	10
1	6000004	GASKET, BLANKING PLATE (FOR 4")	
1	1712217	PLATE, BLANKING (FOR 6")	9
1	X17-1569	PLATE, BLANKING (FOR 4")	
14	7600020	WASHER, 5/16" (FOR 4")	8
18	7600032	WASHER, 1/2" (FOR 6")	7
14	7000168-11	CAPSCREW, 5/16-18 x 3 3/4" LG. (FOR 4")	6
18	7000316-11	CAPSCREW, 1/2-13 x 4" LG. (FOR 6")	5
1	7500021	CHECK VALVE, 1/8" (FOR 4" & 6")	4
1	1712251	6" PIPE BODY	3
1	1712250	4" PIPE BODY	
1	1712327	6" DIAPHRAGM	2
1	1712262	4" DIAPHRAGM	
1	1712328	6" DAMPENER	1
1	1712243	4" DAMPENER	
	1712253	DAMPENER COMPLETE - 6" (28" LG.)	
	1712252	DAMPENER COMPLETE - 4" (25 1/2" LG.)	
QTY REQ'D	PART NO.	DESCRIPTION	ITEM NO.

* {

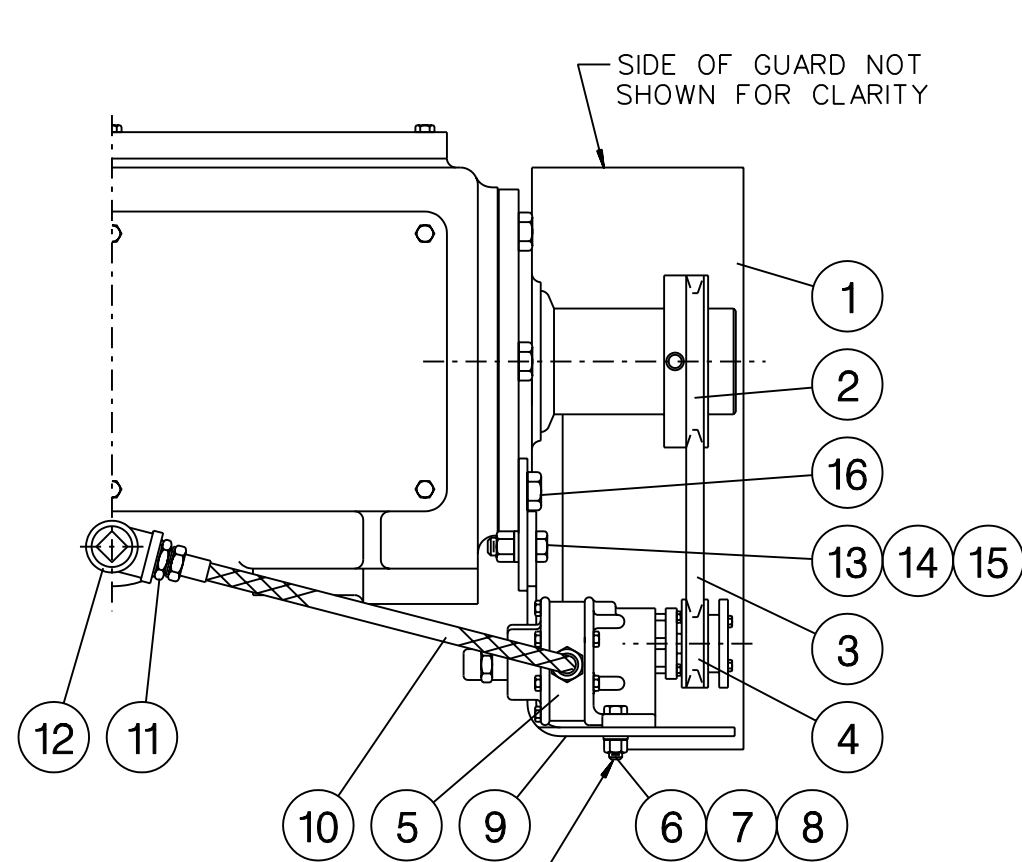
LIST OF MATERIAL

NOV NATIONAL OILWELL VARCO

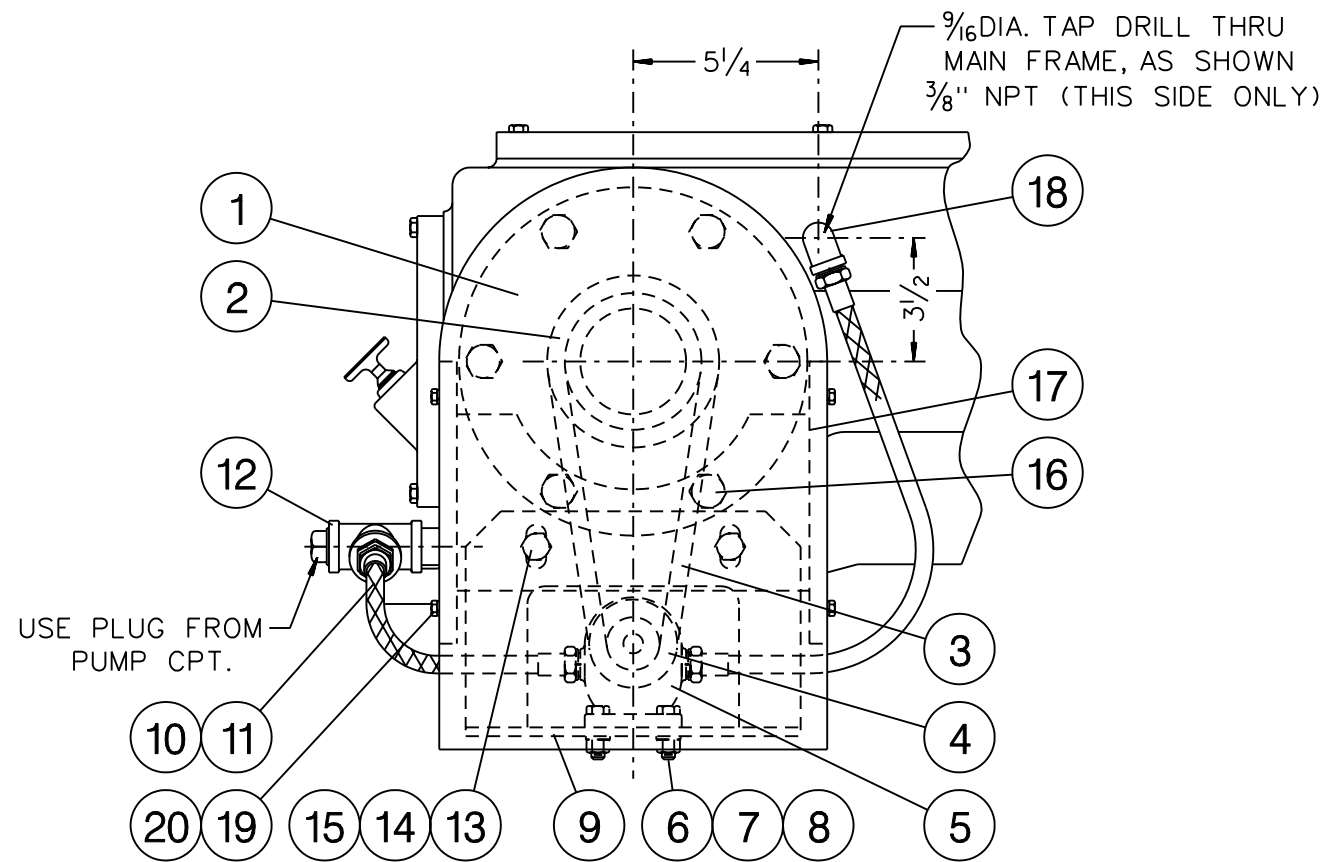
TITLE LOW PRESSURE PLASTIC BODY
IN-LINE SUCTION DAMPENER (WELD-ON)
PLUNGER PUMPS

SIZE	REFERENCE No.	DRAWING No.	REV
B		1710688-80	
SCALE	EST WT	SHEET 1 OF 1	
1/2			

* L/M FOR BLANKING PLATE ASSEMBLY
ITEMS #9 THRU #14 ARE NOT SHOWN



MOUNT PUMP AS SHOWN USING THE (2) REAR MOUNTING HOLES IN PUMP FOOT



QTY REQ'D	PART NO.	DESCRIPTION	ITEM NO.
4	7602033	WASHER, 1/4" SPRING	20
4	7000106-11	CAPSCREW, 1/4"-20 x 3/4" LG. HEX HEAD	19
1	6829003	ELBOW, STREET 3/8" x 90° 150*	18
1	1710385	PLATE, MOUNTING - AUX. LUBE	17
2	2405083	CAPSCREW, 5/8"-11 x 1 3/4" LG. DRILLED HEX HEAD	16
2	7602050	WASHER, 1/2" SPRING	15
2	6300080	NUT, 1/2"-13 HEX	14
2	7000304-11	CAPSCREW, 1/2"-13 x 1 1/4" LG. HEX HEAD	13
1	6890006	TEE, 3/4" 150* - SERVICE	12
1	6800061	BUSHING, PIPE - 3/4" (M) x 3/8" (F)	11
2	1712304	HOSE ASSEMBLY, 3/8" x 20" LG.	10
1	1709285	BRACKET, LUBE PUMP	9
2	7602041	WASHER, 3/8" SPRING	8
2	6300060	NUT, 3/8"-16 HEX	7
2	7000209-11	CAPSCREW, 3/8"-16 x 1 1/4" LG. HEX HEAD	6
1	7815070	PUMP, B&S #1 WORV MODEL 713-1-1	5
1	7200024	SHEAVE, PUMP (2.5" P.D.-1A w/9/16 DIA. BORE)	4
1	4712280	BELT, 2280 GATES - "A" SECT.	3
1	1710124	SHEAVE, DRIVER (4.6" P.D.)	2
1	1710384	GUARD, LUBE PUMP	1

* USE LUBE PUMP GUARD, C/N 1710386 WHEN LUBRICATOR IS ADDED

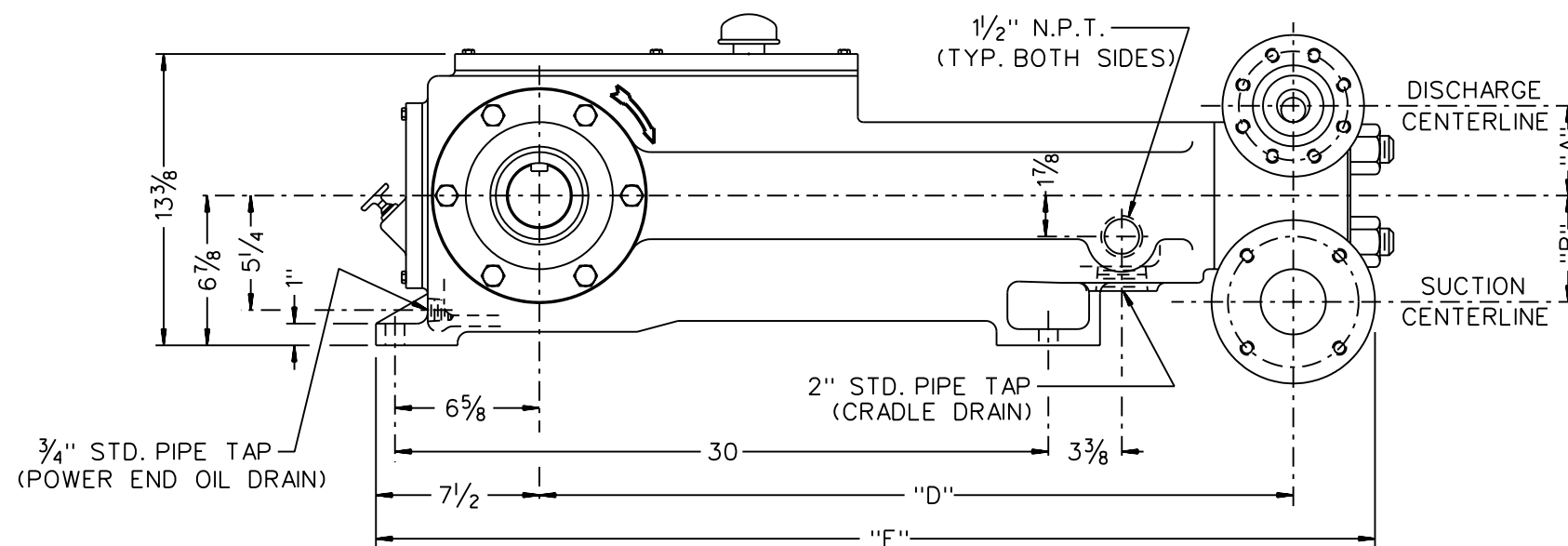
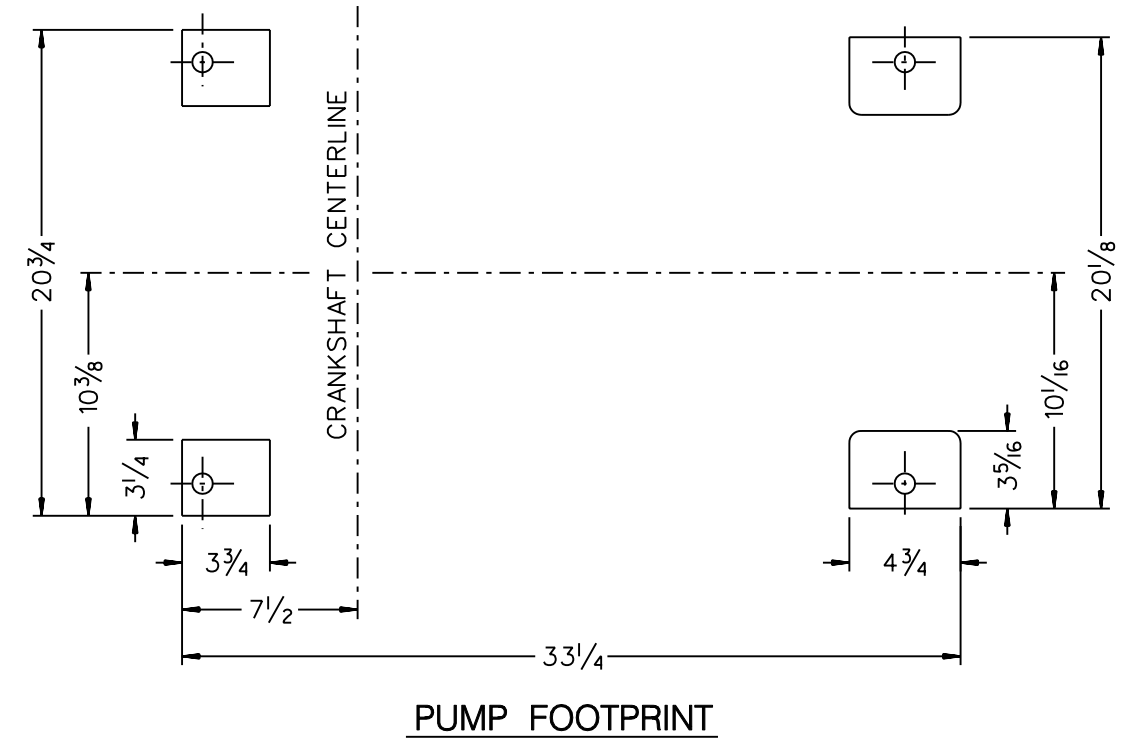
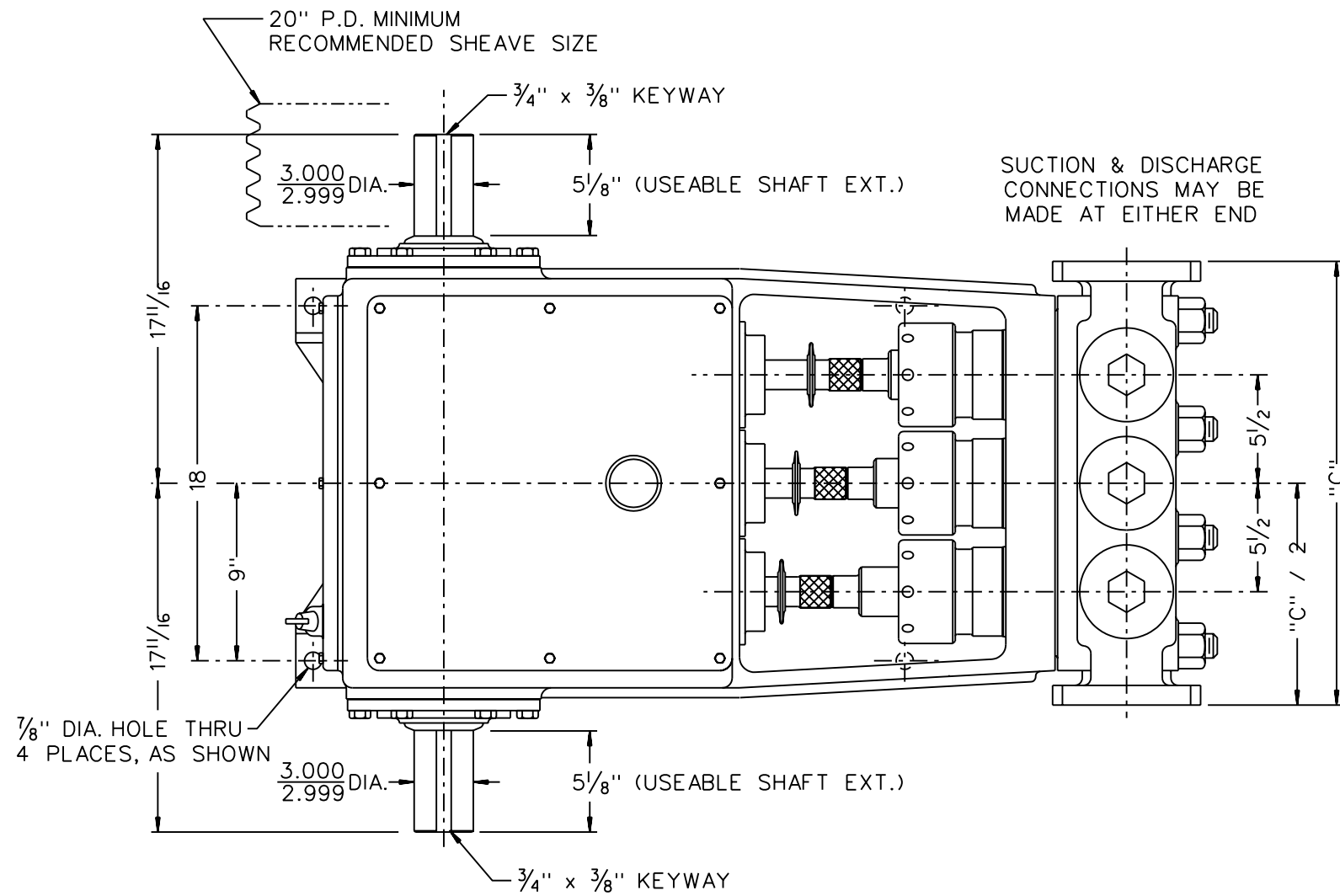
* USE LUBE PUMP GUARD, C/N 1710386 WHEN LUBRICATOR IS ADDED



TITLE
AUX. LUBE SYSTEM - SLOW SPEED
80T-3 TRIPLEX PLUNGER PUMP

SIZE B	REFERENCE No.	DRAWING No. 1710689-80	REV
-----------	---------------	---------------------------	-----

SCALE 3/16	EST WT	SHEET 1 OF 1
---------------	--------	-----------------



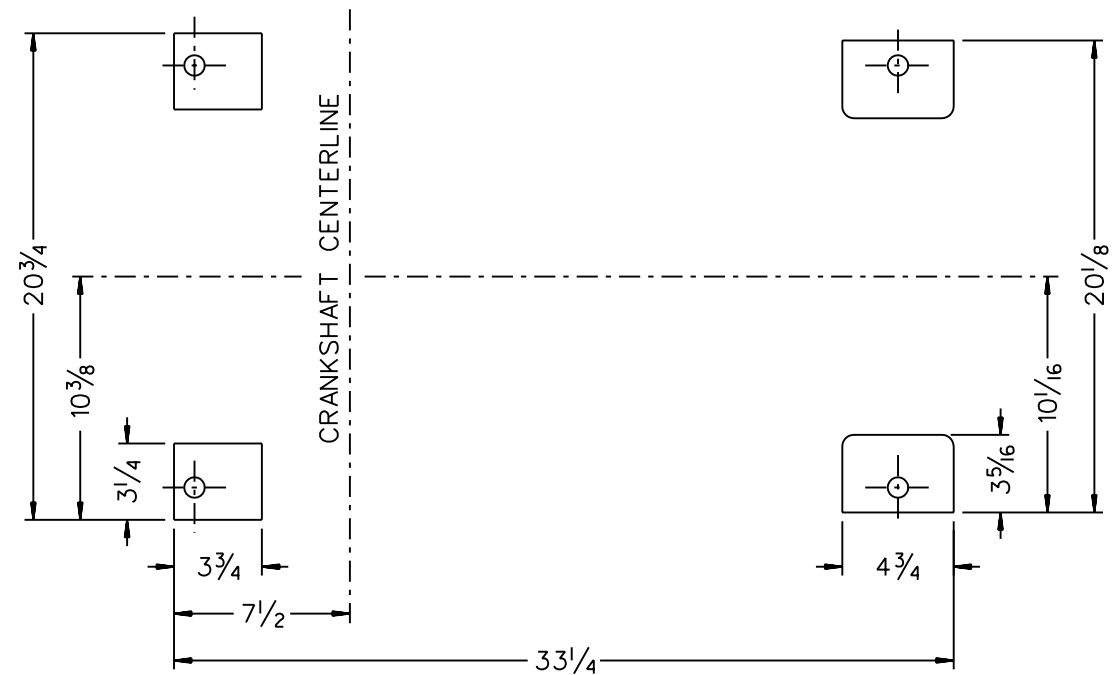
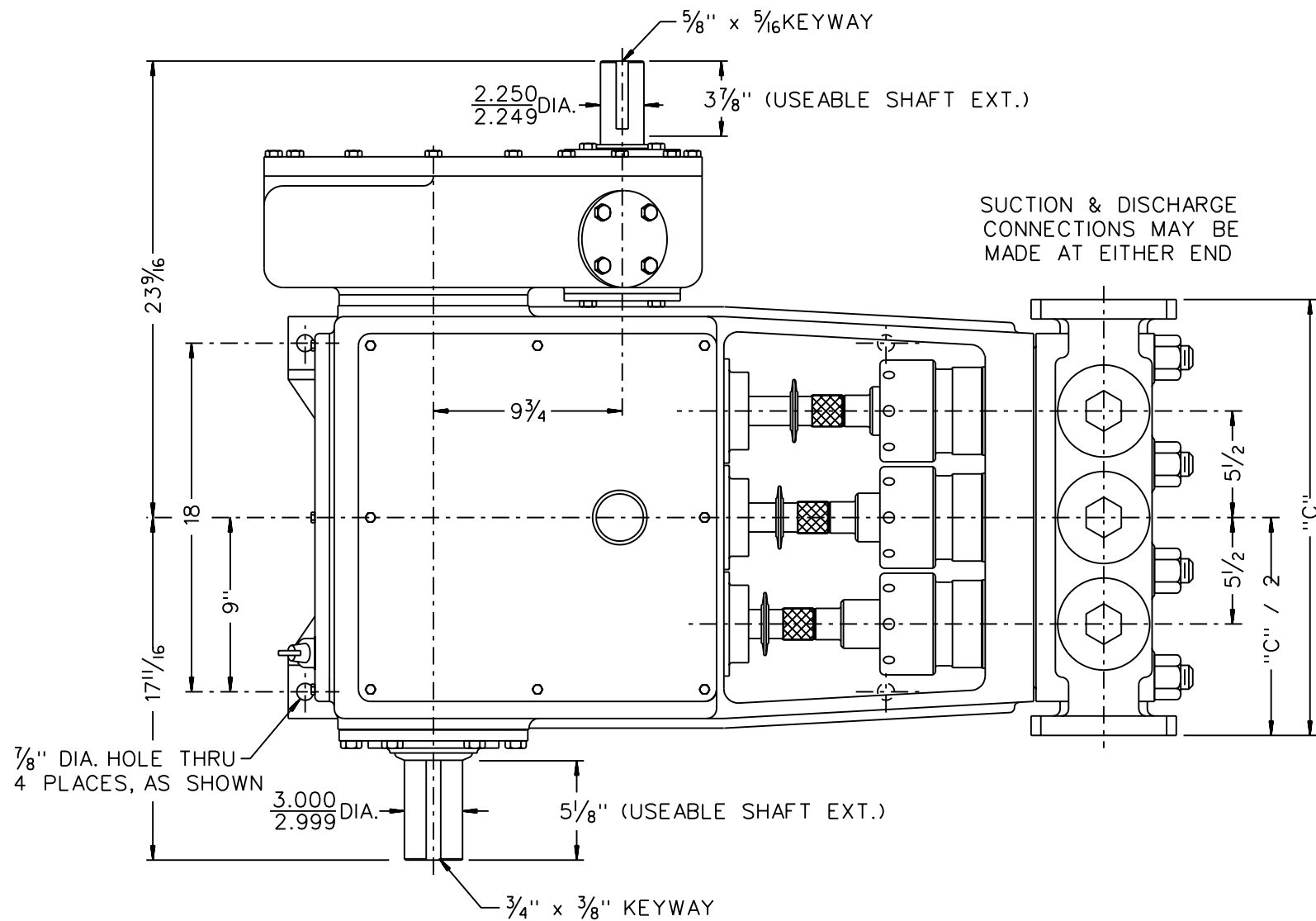
PUMP TYPE	DISCHARGE CONNECTION	SUCTION CONNECTION	DIMENSIONS IN INCHES				
			A	B	C	D	E
80T-3L (FLANGED)	2" API-2000* R.J.	3" ANSI-150* F.F.	4 $\frac{1}{8}$	4 $\frac{7}{8}$	22 $\frac{1}{2}$	34 $\frac{5}{8}$	45 $\frac{7}{8}$
80T-3L (THREADED)	2" N.P.T.	3" N.P.T.	4 $\frac{1}{8}$	4 $\frac{7}{8}$	20 $\frac{1}{2}$	34 $\frac{5}{8}$	44 $\frac{3}{4}$
80T-3M	1 $\frac{1}{2}$ " API-5000* R.J.	2 $\frac{1}{2}$ " ANSI-150* F.F.	4	4 $\frac{1}{2}$	22 $\frac{1}{4}$	34 $\frac{5}{8}$	44 $\frac{3}{4}$
80T-3H	1 $\frac{1}{4}$ " ANSI-2500* R.J.	2 $\frac{1}{2}$ " ANSI-300* F.F.	4	4 $\frac{1}{2}$	22 $\frac{5}{8}$	34 $\frac{5}{8}$	45 $\frac{7}{8}$

NOV NATIONAL OILWELL VARCO

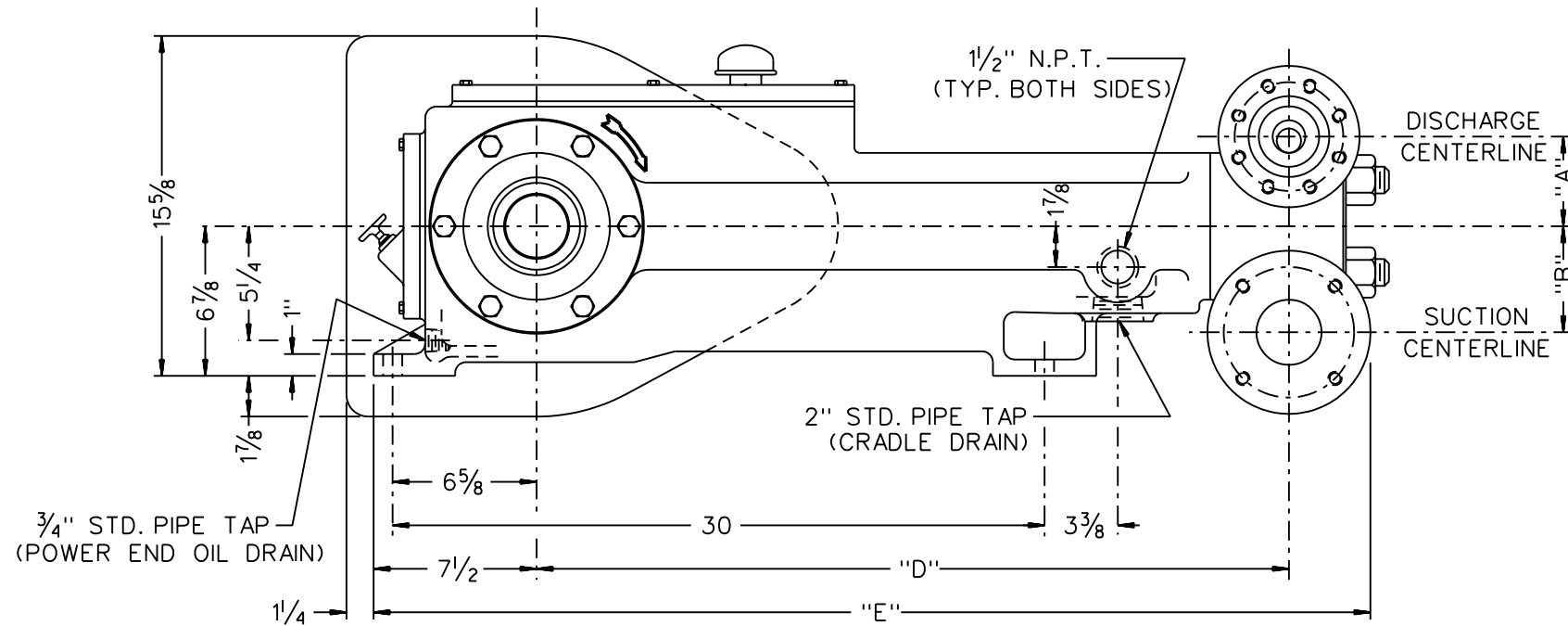
TITLE
 80T-3 TRIPLEX PLUNGER PUMP
 WITHOUT GEAR REDUCER

SIZE B REFERENCE No. DRAWING No. 1710690-80 REV

80T-3L MODEL IS SHOWN SCALE 1/8 EST WT 1195# SHEET 1 OF 1



PUMP FOOTPRINT



PUMP TYPE	DISCHARGE CONNECTION	SUCTION CONNECTION	DIMENSIONS IN INCHES				
			A	B	C	D	E
80T-3L (FLANGED)	2" API-2000* R.J.	3" ANSI-150* F.F.	4 1/8	4 7/8	22 1/2	34 5/8	45 7/8
80T-3L (THREADED)	2" N.P.T.	3" N.P.T.	4 1/8	4 7/8	20 1/2	34 5/8	44 3/4
80T-3M	1 1/2" API-5000* R.J.	2 1/2" ANSI-150* F.F.	4	4 1/2	22 1/4	34 5/8	44 3/4
80T-3H	1 1/4" ANSI-2500* R.J.	2 1/2" ANSI-300* F.F.	4	4 1/2	22 5/8	34 5/8	45 7/8

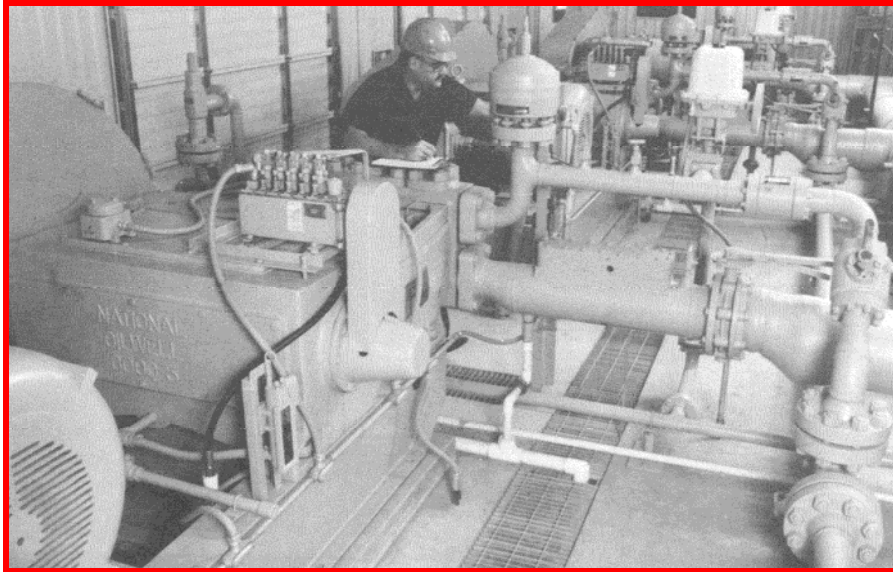
NOV NATIONAL OILWELL VARCO

TITLE
OUTLINE DRAWING
80T-3 TRIPLEX PLUNGER PUMP
WITH GEAR REDUCER

SIZE B REFERENCE No. DRAWING No. 1710691-80 REV

80T-3L MODEL IS SHOWN SCALE 1/8 EST WT 1510# SHEET 1 OF 1

NATIONAL OILWELL VARCO



With over 120 locations worldwide, National Oilwell Varco is located near you. To find the nearest Distribution Service Center, machinery center or repair facility, please give us a call at our main office listed below.

Or you can access our website at the URL listed below, where you may search by location or country.

<http://www.nov.com/contactus/>

Sales/Technical Information:
USA Tollfree: 1 (800) 324-4706

Internet: <http://www.nov.com>

National Oilwell Varco is a leading manufacturer of reciprocating plunger pumps, Mission Fluid King centrifugal pumps, and fluid end replacement parts. We also offer a complete set of solutions to your fluid transfer challenges. For more Information, contact National Oilwell Varco directly at the Headquarters in Houston, Texas. All National Oilwell Varco products are available throughout the U.S. and around the world from service centers, authorized distributors, and representatives.

© Copyright 1999 by National Oilwell, L.P. All Rights Reserved. NATIONAL OILWELL, NATIONAL, and OILWELL are registered trademarks of NATIONAL OILWELL, L.P. Houston, Texas, USA. All other trademarks used are registered to their respective companies. The information and data in this brochure, including but not limited to pictures, photographs, charts, diagrams, drawings, lists, written comments, and specifications, are accurate to the best of our knowledge and belief, but are intended for general information only. Applications suggested for the materials and other information are described only to help readers make their own evaluations and decisions, and are neither guarantees nor are they to be construed as express or implied warranties of suitability for these or other applications. National Oilwell makes no warranty, either express or implied, beyond that stipulated in National Oilwell's Standard Terms and Conditions of Sale which are available upon request.